



US00D626484S

(12) **United States Design Patent**  
**Striker**

(10) **Patent No.:** **US D626,484 S**

(45) **Date of Patent:** **\*\* Nov. 2, 2010**

(54) **FIN ORNAMENT**

(76) **Inventor:** **Arthur Striker**, 1243 Marion St.,  
Denver, CO (US) 80218

(\*\*) **Term:** **14 Years**

(21) **Appl. No.:** **29/353,223**

(22) **Filed:** **Jan. 5, 2010**

(51) **LOC (9) Cl.** ..... **12-16**

(52) **U.S. Cl.** ..... **D12/199**

(58) **Field of Classification Search** ..... D12/190,  
D12/400, 90, 92, 199, 197, 86, 171, 169,  
D12/163, 114, 317; D11/211, 81, 157, 133,  
D11/172; D21/584, 778; 293/102, 115;  
D20/11, 23; 40/413, 591-592  
See application file for complete search history.

(56) **References Cited**

**U.S. PATENT DOCUMENTS**

291,715	A *	1/1884	Apline	174/32
2,710,772	A	6/1955	Schulein	
4,325,154	A *	4/1982	Collum, Jr.	441/74
4,733,496	A	3/1988	Wallner	
4,789,368	A *	12/1988	D'Onofrio	441/79
5,032,096	A *	7/1991	Scott et al.	441/74
5,273,472	A *	12/1993	Skededeski et al.	441/79
5,306,188	A *	4/1994	Skededeski et al.	441/79
D397,394	S *	8/1998	Akins	D21/778
D437,907	S *	2/2001	Stuart et al.	D21/778
6,394,865	B1 *	5/2002	Arzadon	441/79

D461,871	S	8/2002	Flowers	
D491,558	S *	6/2004	Wray	D14/232
D497,965	S	11/2004	Barbis	
6,918,806	B2 *	7/2005	Skededeski	441/79
D546,752	S *	7/2007	Dovell	D12/317
D595,629	S *	7/2009	Blumish	D12/199

\* cited by examiner

*Primary Examiner*—Caron Veynar

*Assistant Examiner*—Katrina A Kile

(74) *Attorney, Agent, or Firm*—Sheridan Ross P.C.

(57) **CLAIM**

The ornamental design for a fin ornament, as shown and described.

**DESCRIPTION**

FIG. 1 is a perspective view of the fin ornament;

FIG. 2 is a right elevation view thereof, the left elevation view being a mirror image thereof;

FIG. 3 is a top plan view thereof;

FIG. 4 is a front elevation view thereof;

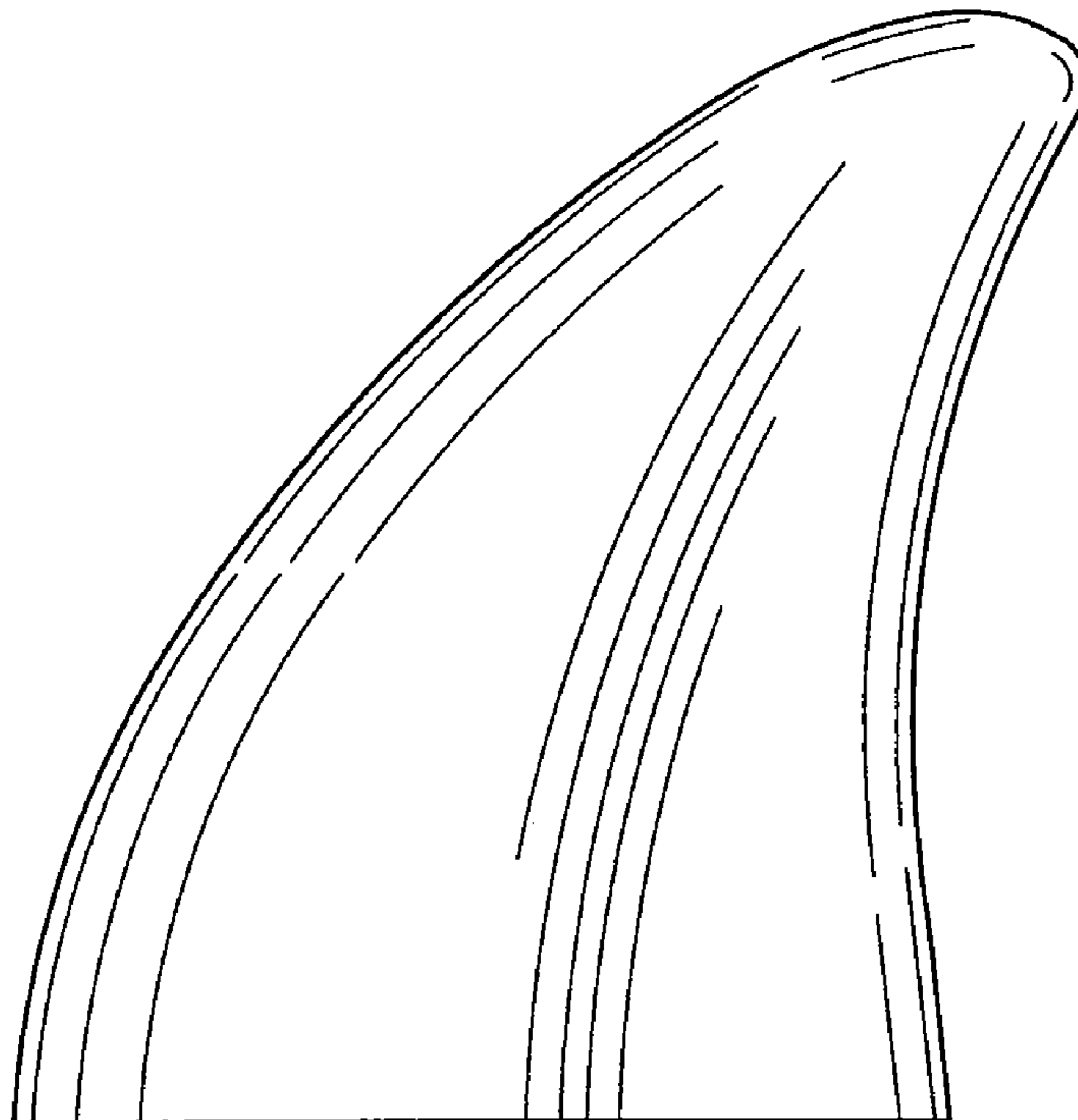
FIG. 5 is a rear elevation view thereof;

FIG. 6 is a bottom plan view thereof; and,

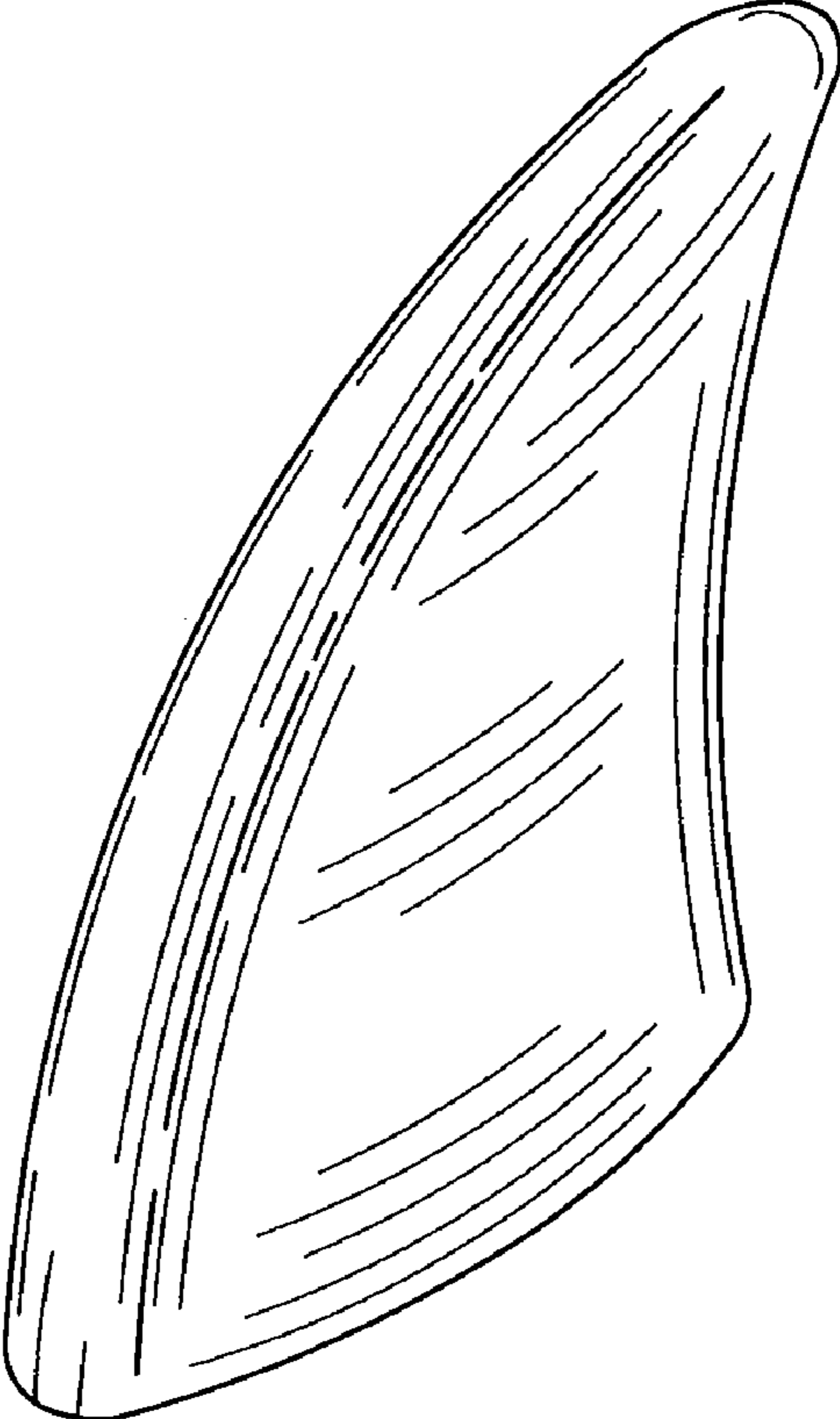
FIG. 7 is a perspective view.

In the drawings, the broken lines in FIG. 7 depict an automobile, and optional fin ornament placement only and form no part of the claimed design.

**1 Claim, 3 Drawing Sheets**

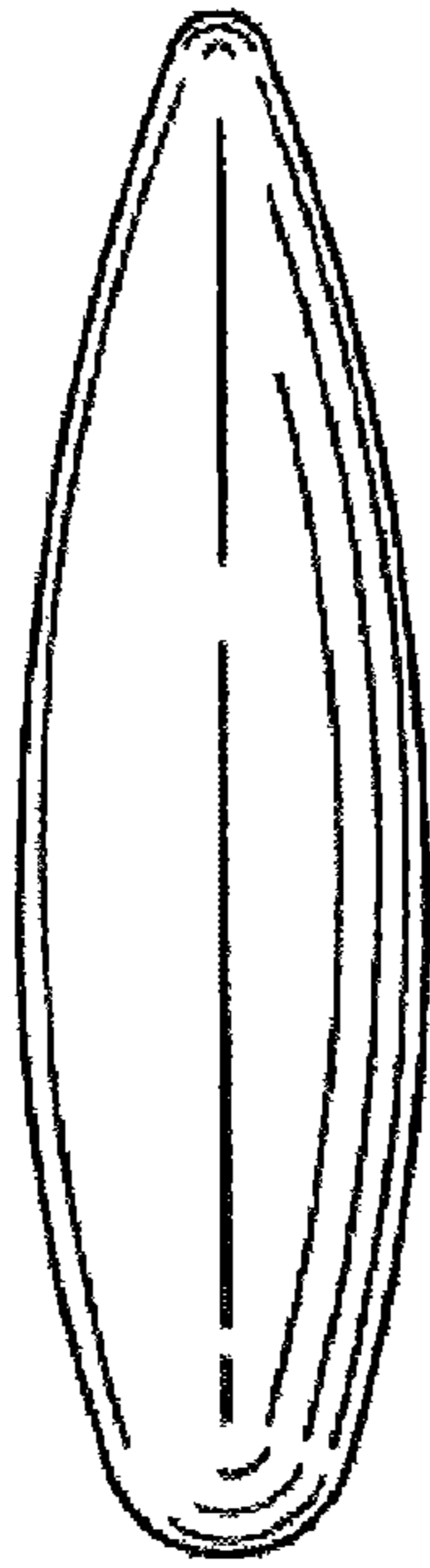


**Fig. 1**

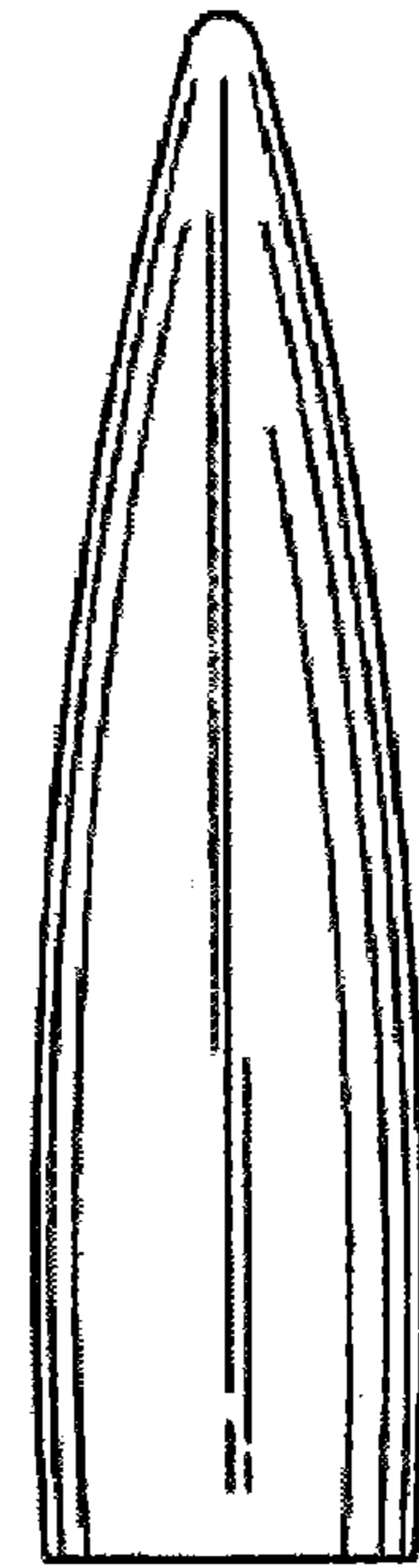


**Fig. 2**

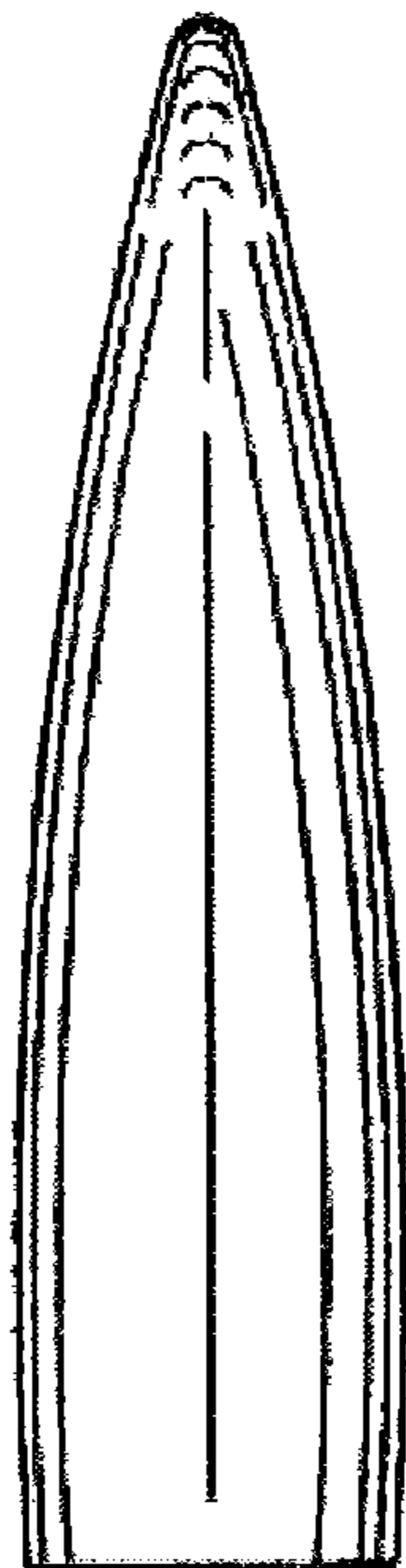




**Fig. 3**



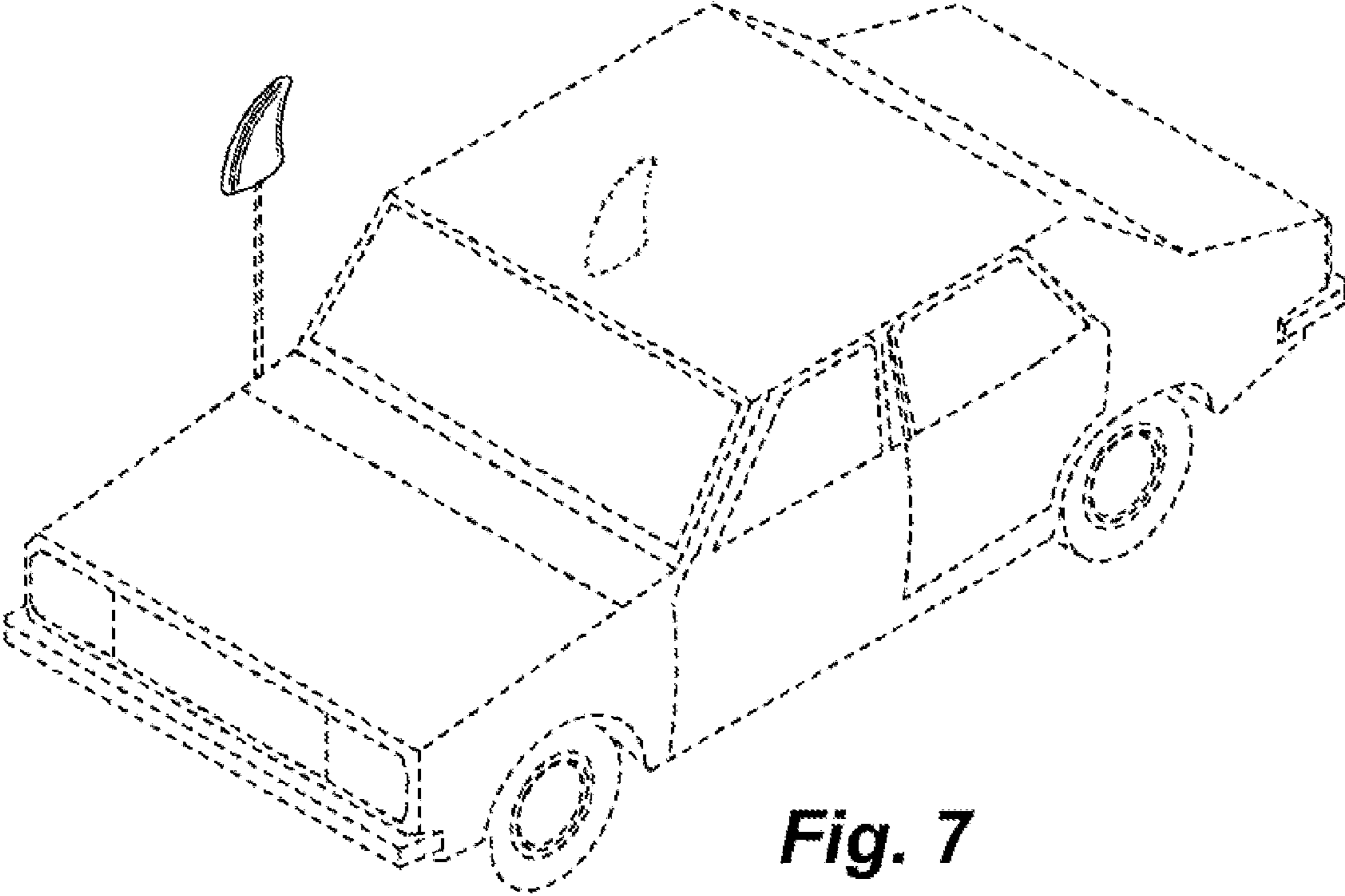
**Fig. 4**



**Fig. 5**



**Fig. 6**



**Fig. 7**