

US00D626481S

(12) **United States Design Patent**  
**Rinehart**

(10) **Patent No.:** **US D626,481 S**

(45) **Date of Patent:** **\*\* Nov. 2, 2010**

(54) **BAFFLE**

(75) Inventor: **Gerald L. Rinehart**, Enka, NC (US)

(73) Assignee: **Rinehart Racing, Inc.**, Enka, NC (US)

(\*\*) Term: **14 Years**

(21) Appl. No.: **29/355,155**

(22) Filed: **Feb. 3, 2010**

(51) **LOC (9) Cl.** ..... **12-16**

(52) **U.S. Cl.** ..... **D12/194**

(58) **Field of Classification Search** ..... D12/194;  
D15/5; 181/247-249, 264, 282, 239-241,  
181/227, 228; 60/303, 313, 323, 276, 272;  
123/41.73, 41.7, 184.34, 184.36; 138/44;  
280/152.1-152.3, 160.1, 304.3, 770, 848,  
280/552; D23/266

See application file for complete search history.

(56) **References Cited**

**U.S. PATENT DOCUMENTS**

3,894,302	A *	7/1975	Lasater	.....	4/696
4,635,752	A *	1/1987	Jennings	.....	181/241
D465,181	S *	11/2002	Wang	.....	D12/194
7,506,722	B2 *	3/2009	Emler	.....	181/249
7,510,050	B2 *	3/2009	Emler	.....	181/249
2006/0090956	A1 *	5/2006	Peshkovskiy et al.	.....	181/249

\* cited by examiner

*Primary Examiner*—T. Chase Nelson

*Assistant Examiner*—Michael A Pratt

(74) *Attorney, Agent, or Firm*—Henry B. Ward, III; Moore & Van Allen, PLLC

(57) **CLAIM**

The ornamental design for a baffle, as shown and described.

**DESCRIPTION**

FIG. 1 is a front and top-perspective view of a baffle;

FIG. 2 is a front-elevational view thereof;

FIG. 3 is a rear-elevational view thereof;

FIG. 4 is a left-side-elevational view thereof;

FIG. 5 is a right-side-elevational view thereof;

FIG. 6 is a top-plan view thereof;

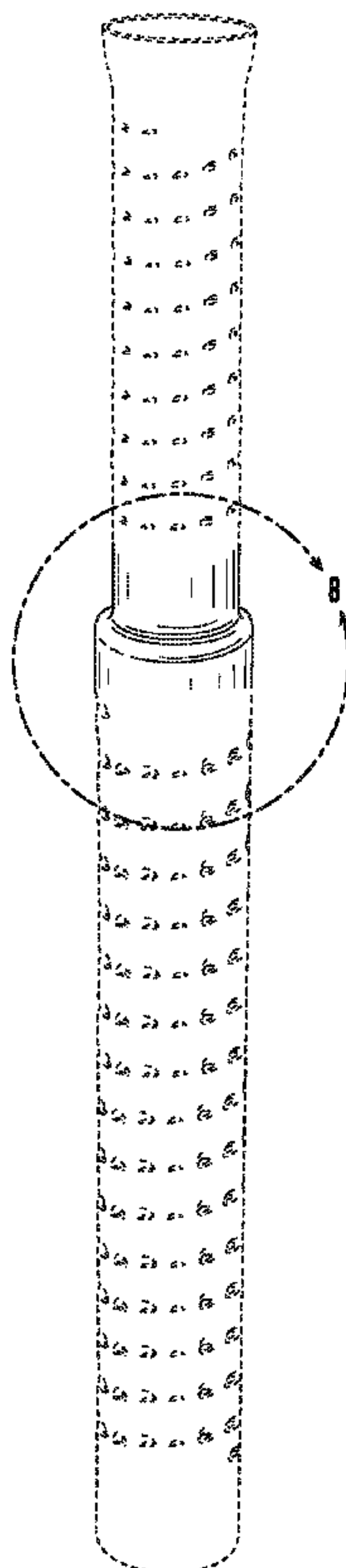
FIG. 7 is a bottom-plan view thereof;

FIG. 8 is a front and top-perspective view of a section of the baffle designated by line 8 in FIG. 1; and,

FIG. 9 is a cross-sectional view of the baffle along line 9—9 in FIG. 2.

The broken lines shown in the drawings are shown for illustrative purposes only and form no part of the claimed design. In addition, the surface shading, if any, illustrated in the drawings is provided merely to highlight the contour of the design; it is not intended to be illustrative of texture or gloss.

**1 Claim, 4 Drawing Sheets**



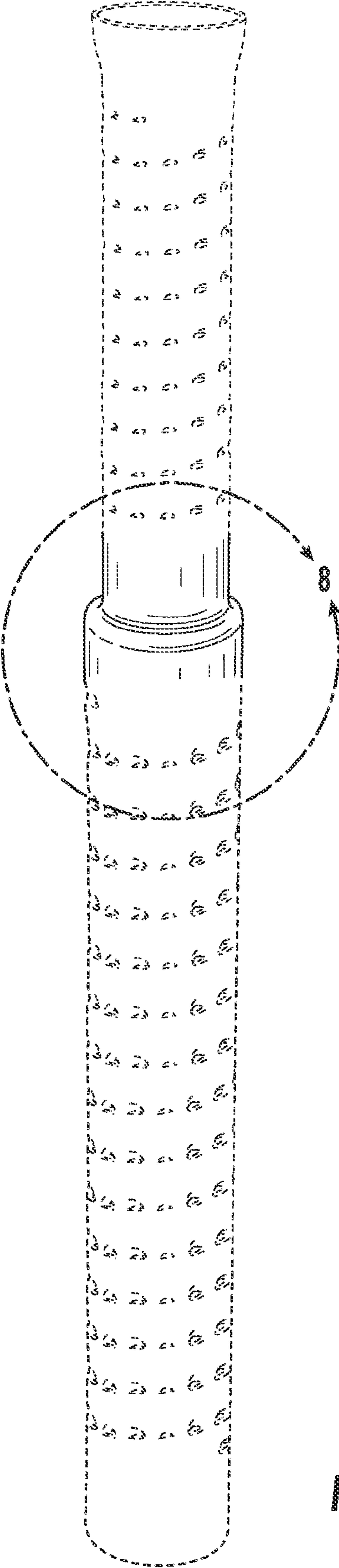


FIG. 1

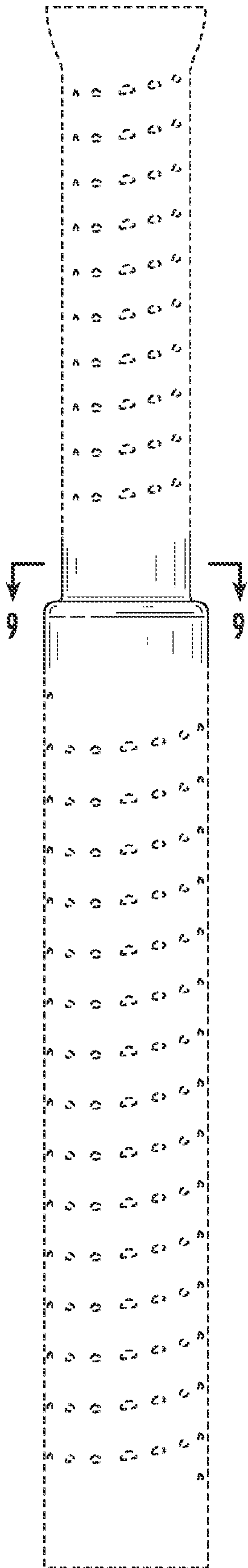


FIG. 2

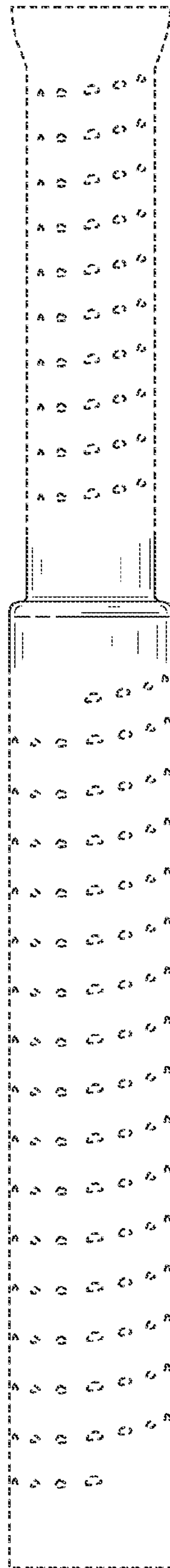


FIG. 3

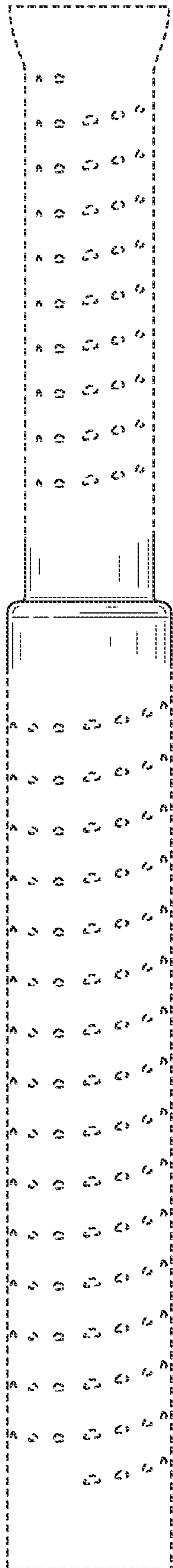


FIG. 4

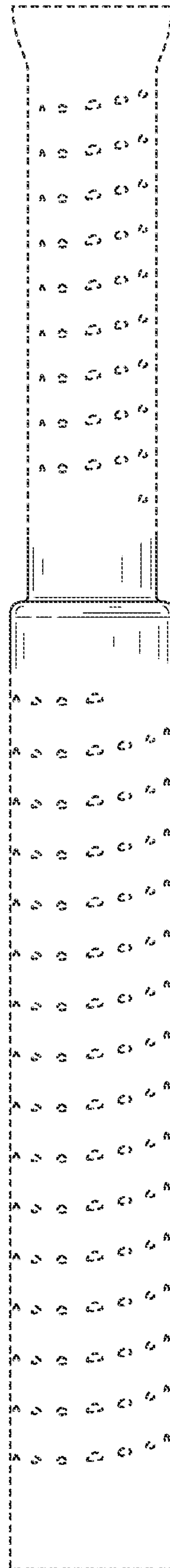


FIG. 5

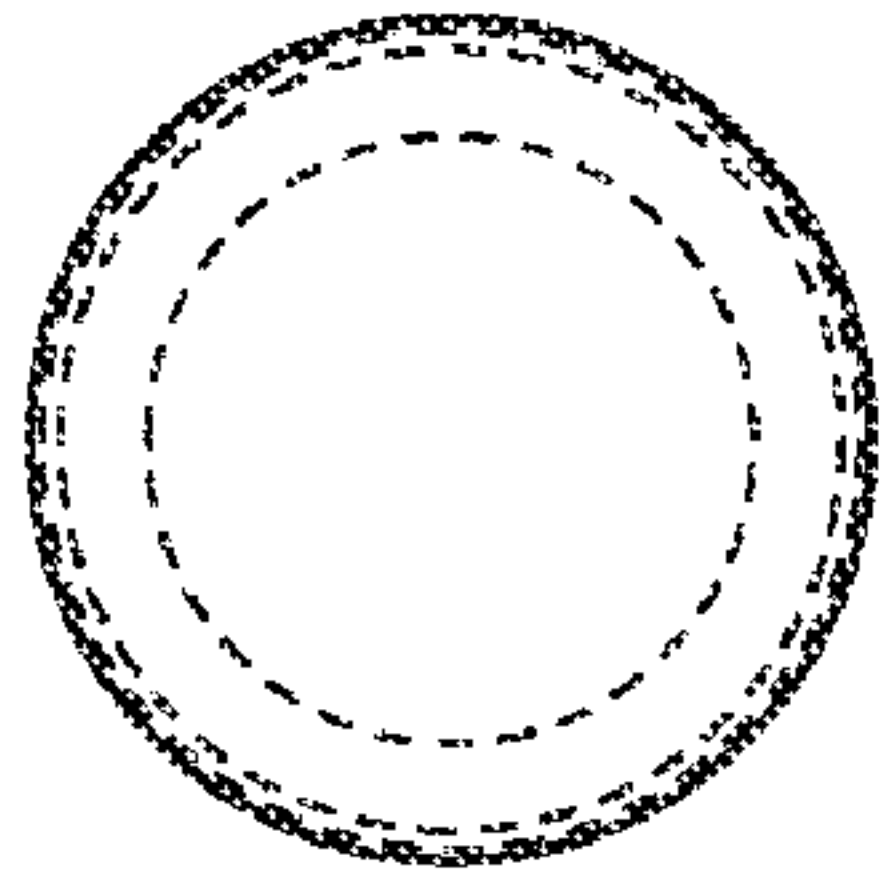


FIG. 6

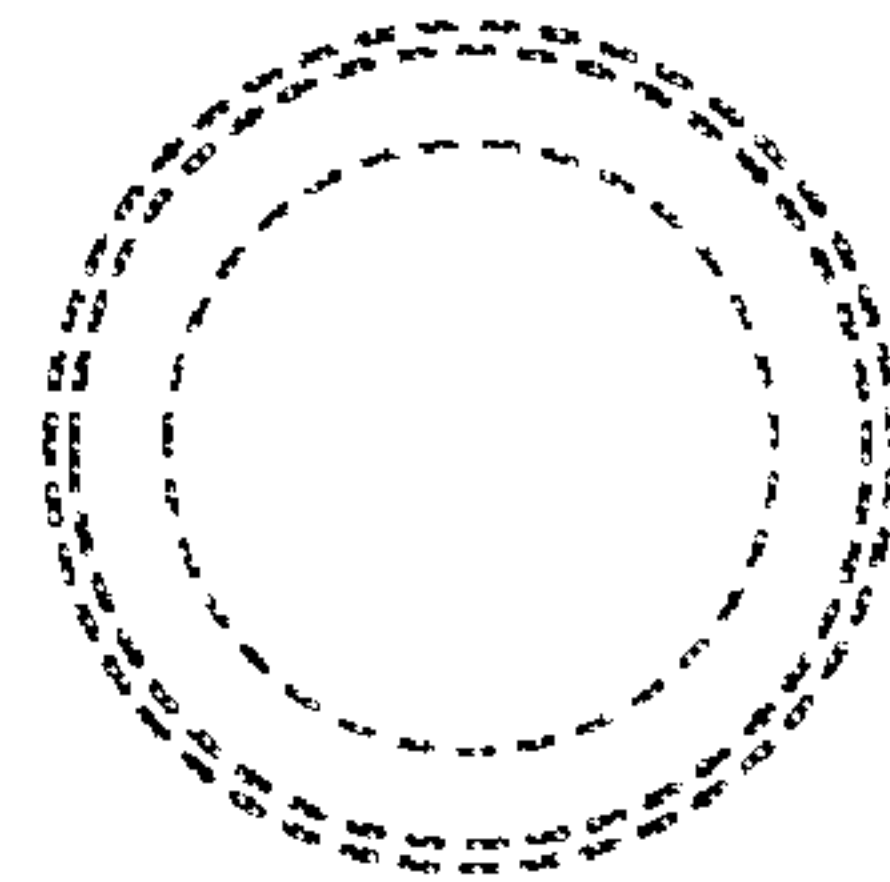


FIG. 7

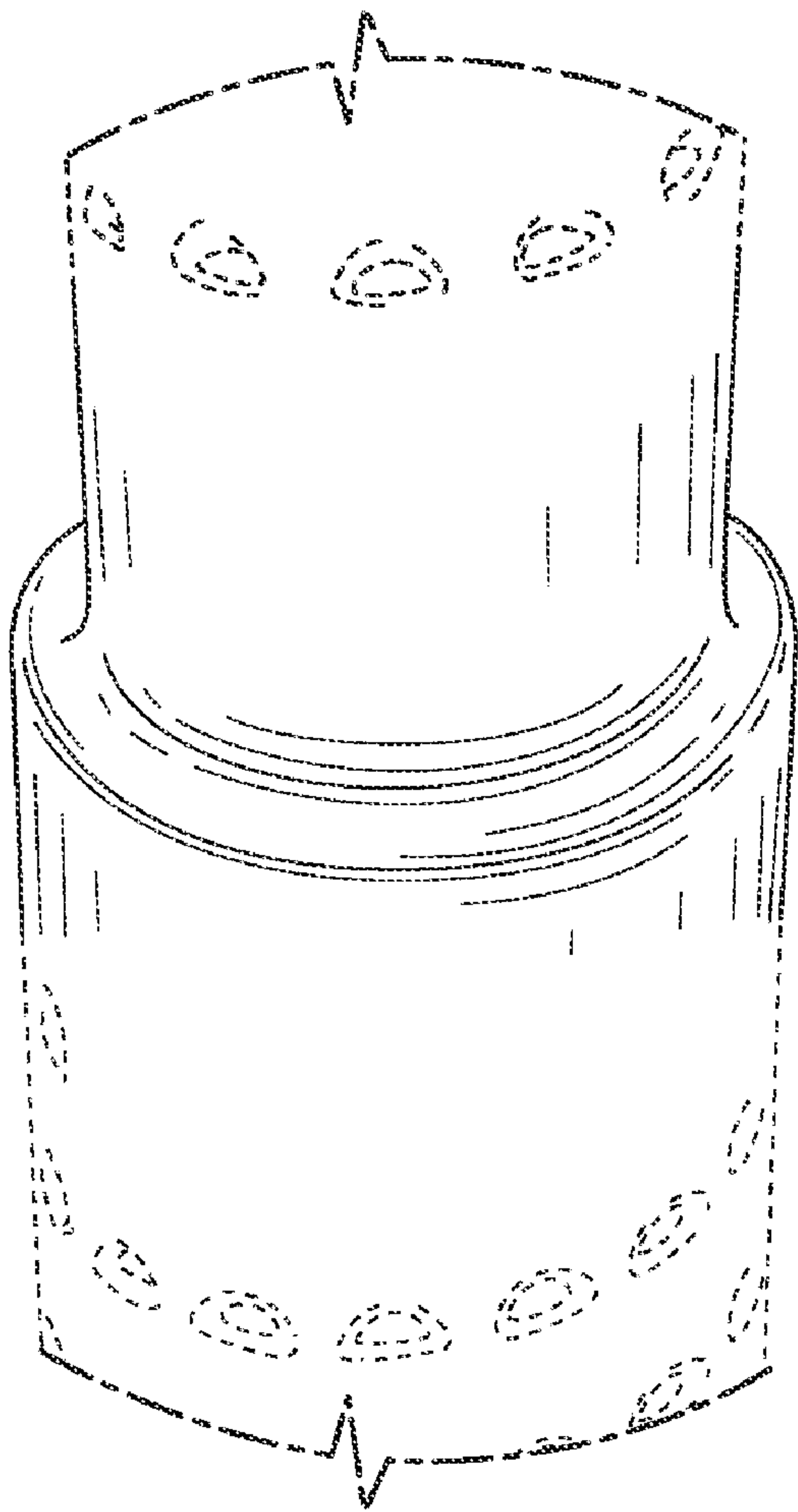


FIG. 8

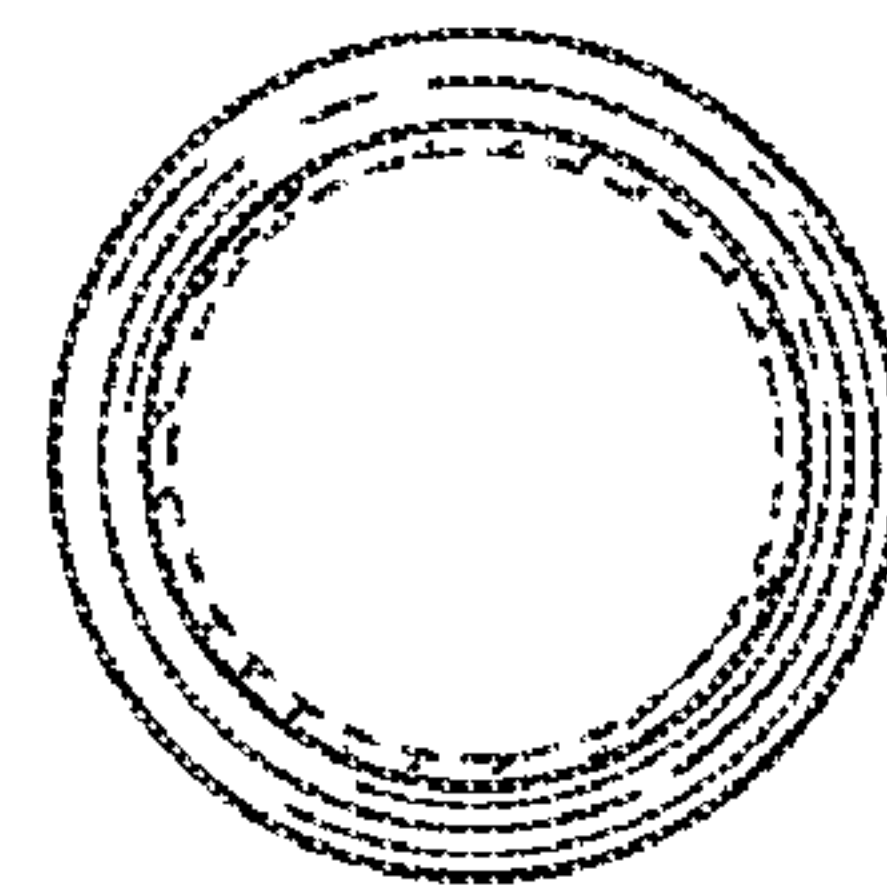


FIG. 9