



US00D626475S

(12) **United States Design Patent**
Yamazaki et al.

(10) **Patent No.:** **US D626,475 S**

(45) **Date of Patent:** **** Nov. 2, 2010**

(54) **HOOD FOR AUTOMOBILE**

D600,610 S * 9/2009 Lamm D12/173

(75) Inventors: **Kazuki Yamazaki**, Kanagawa (JP);
Kenichiro Koizumi, Tokyo (JP)

(73) Assignee: **Nissan Jidosha Kabushiki Kaisha**,
Kanagawa-Ku, Yokohama-Shi (JP)

(**) Term: **14 Years**

(21) Appl. No.: **29/348,464**

(22) Filed: **Jan. 8, 2010**

(30) **Foreign Application Priority Data**

Jul. 9, 2009 (JP) 2009-015707

(51) **LOC (9) Cl.** **12-16**

(52) **U.S. Cl.** **D12/173**

(58) **Field of Classification Search** D12/173,
D12/196, 86, 90-92; 180/69.21, 69.2, 69.22;
296/24.4

See application file for complete search history.

(56) **References Cited**

U.S. PATENT DOCUMENTS

D588,959 S	3/2009	Bischoff et al.
D597,001 S	7/2009	Lamm et al.
D597,899 S	8/2009	Di Buduo
D598,341 S	8/2009	George et al.
D600,609 S	9/2009	Mattin et al.

OTHER PUBLICATIONS

U.S. Appl. No. 29/316,000, filed Aug. 13, 2009; first named inventor:
Matthew Weaver.

U.S. Appl. No. 29/348,461, filed Jan. 8, 2010; first named inventor:
Kazuki Yamazaki.

* cited by examiner

Primary Examiner—Melody N Brown

(74) *Attorney, Agent, or Firm*—Fross Zelnick Lehrman &
Zissu, P.C.; Lawrence E. Apolzon, Esq.

(57) **CLAIM**

The ornamental design for a hood for automobile, as shown
and described.

DESCRIPTION

FIG. 1 is a perspective view of the front, right side and top of
a hood for automobile showing our new design;

FIG. 2 is a front view thereof;

FIG. 3 is a rear view thereof;

FIG. 4 is a left side view thereof;

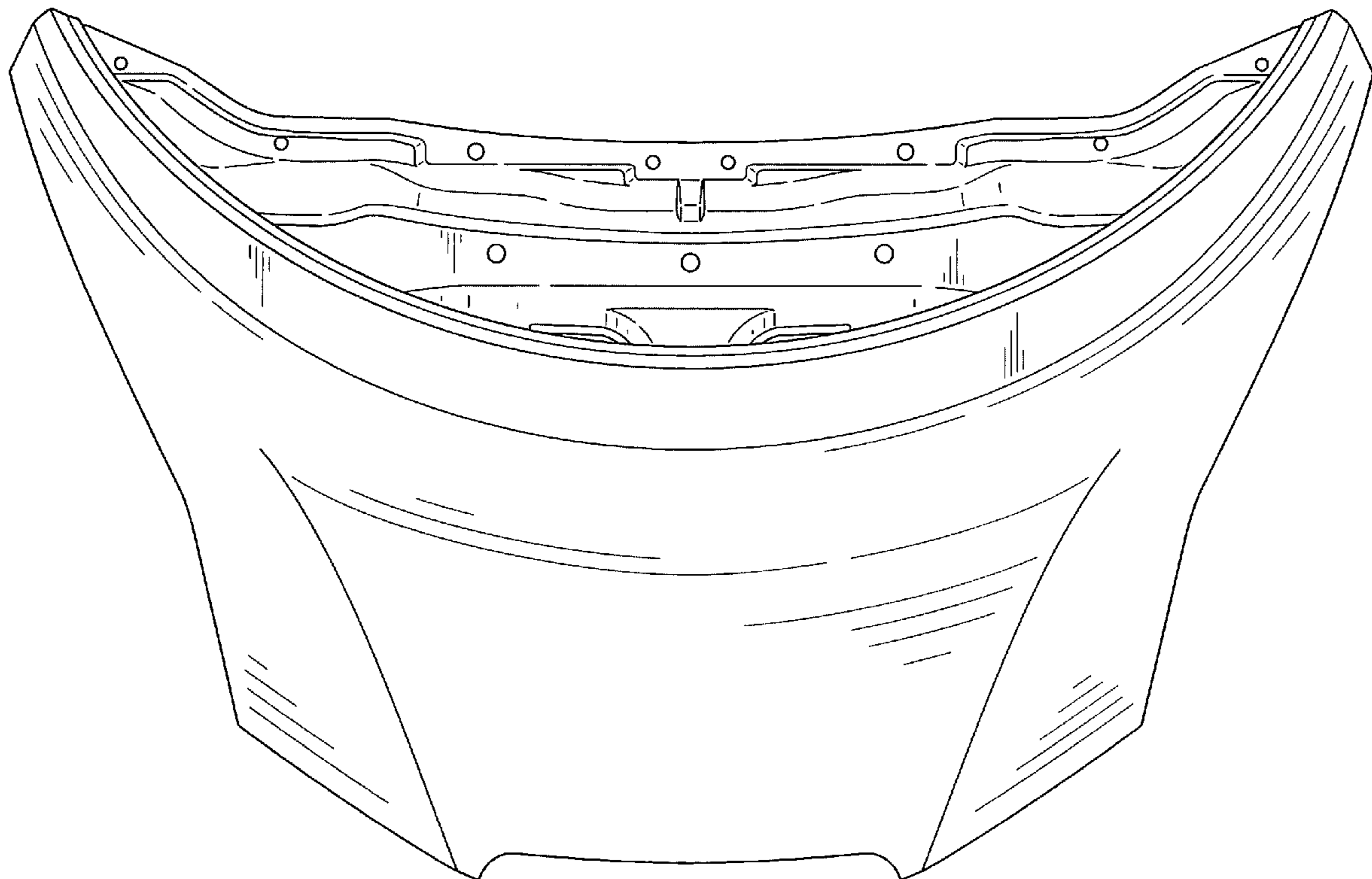
FIG. 5 is a right side view thereof;

FIG. 6 is a top plan view thereof; and,

FIG. 7 is a bottom view thereof.

The elements shown in broken lines are for illustrative pur-
poses only and form no part of the claimed design.

1 Claim, 5 Drawing Sheets



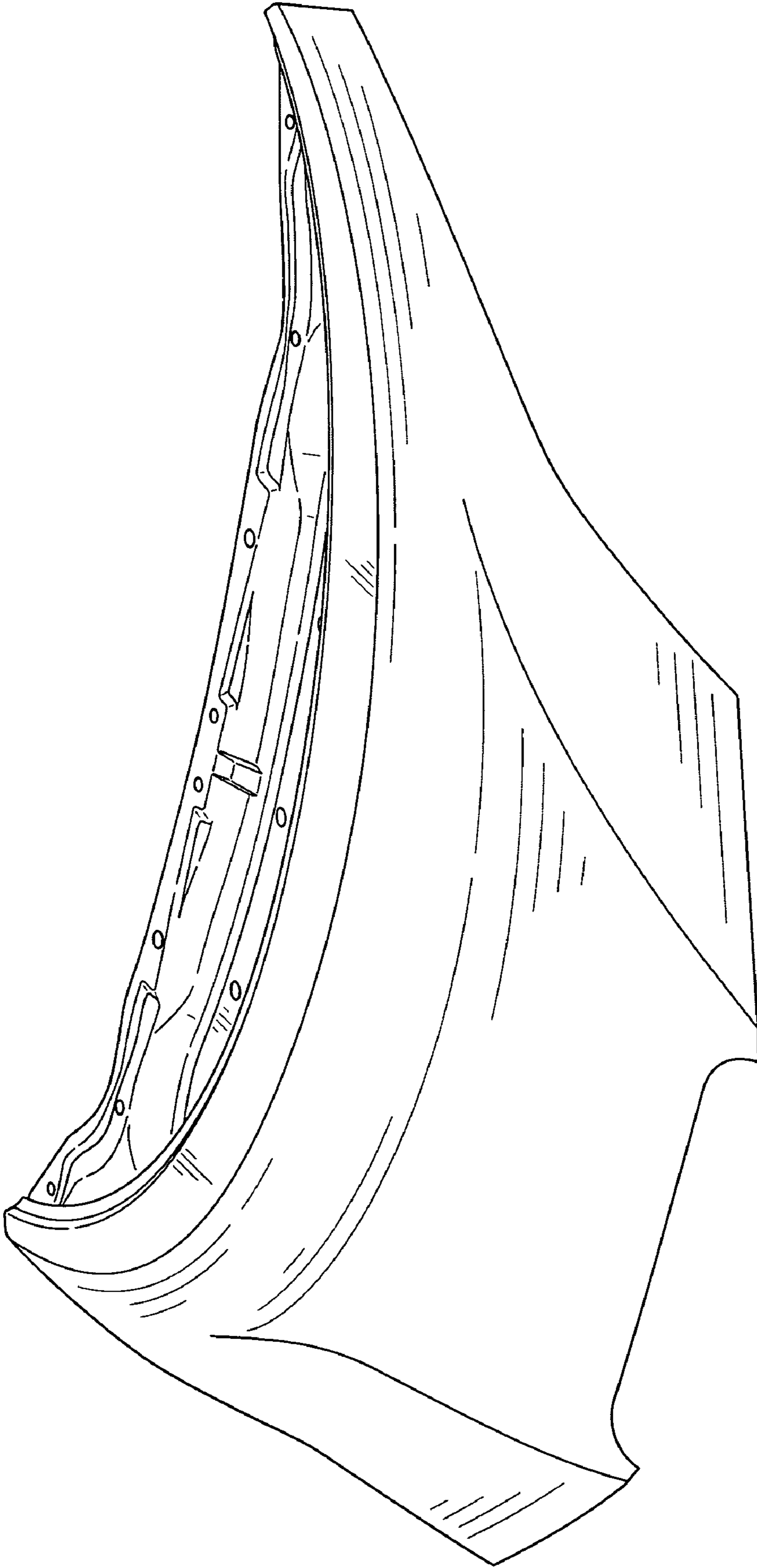


FIG. 1

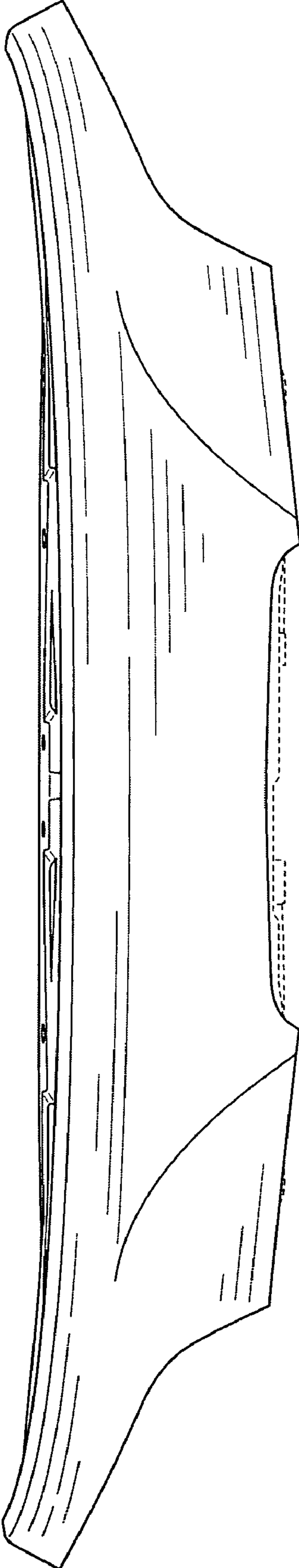


FIG. 2

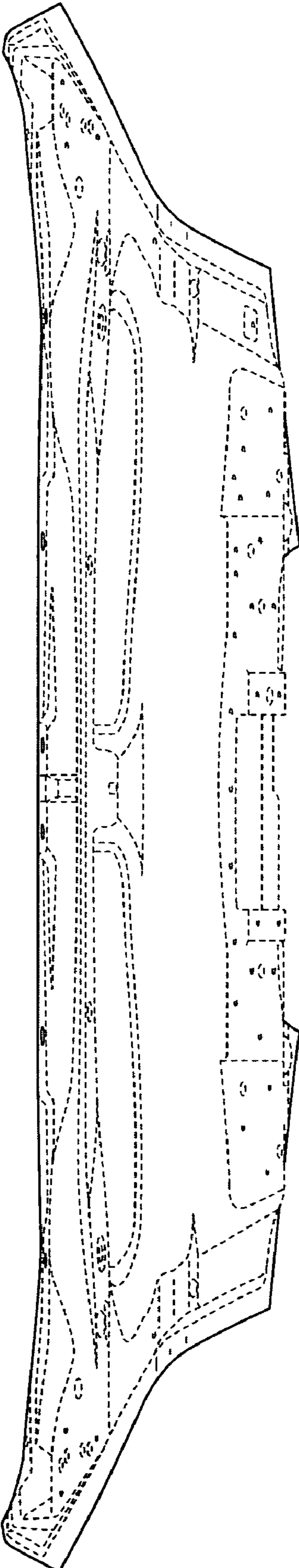


FIG. 3

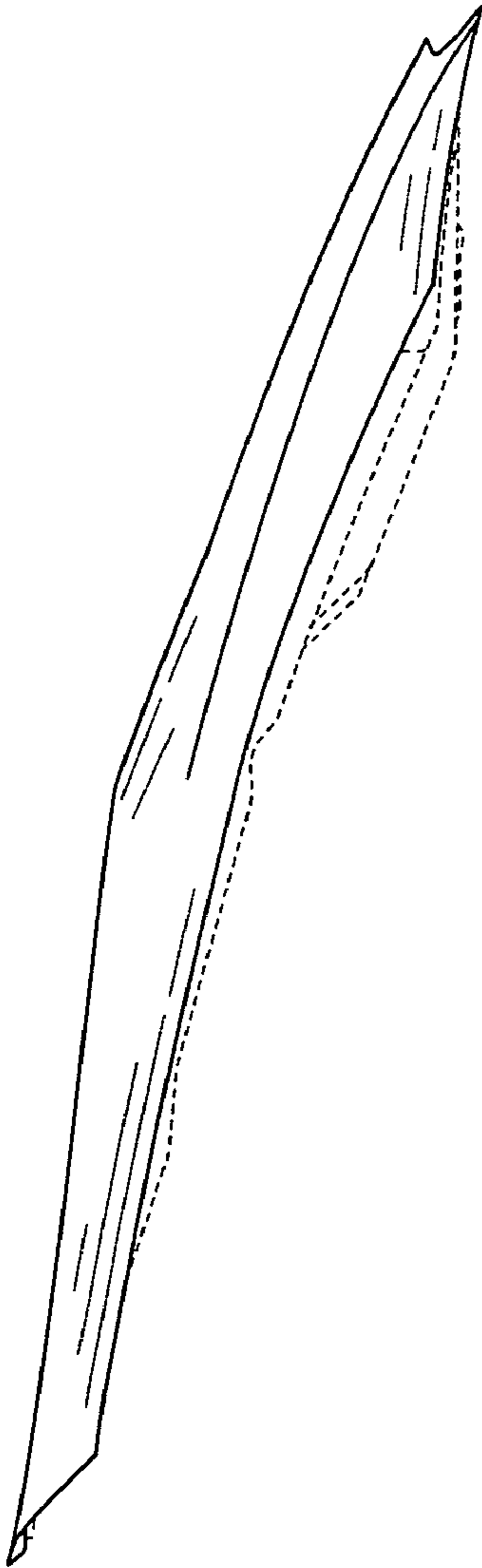


FIG. 4

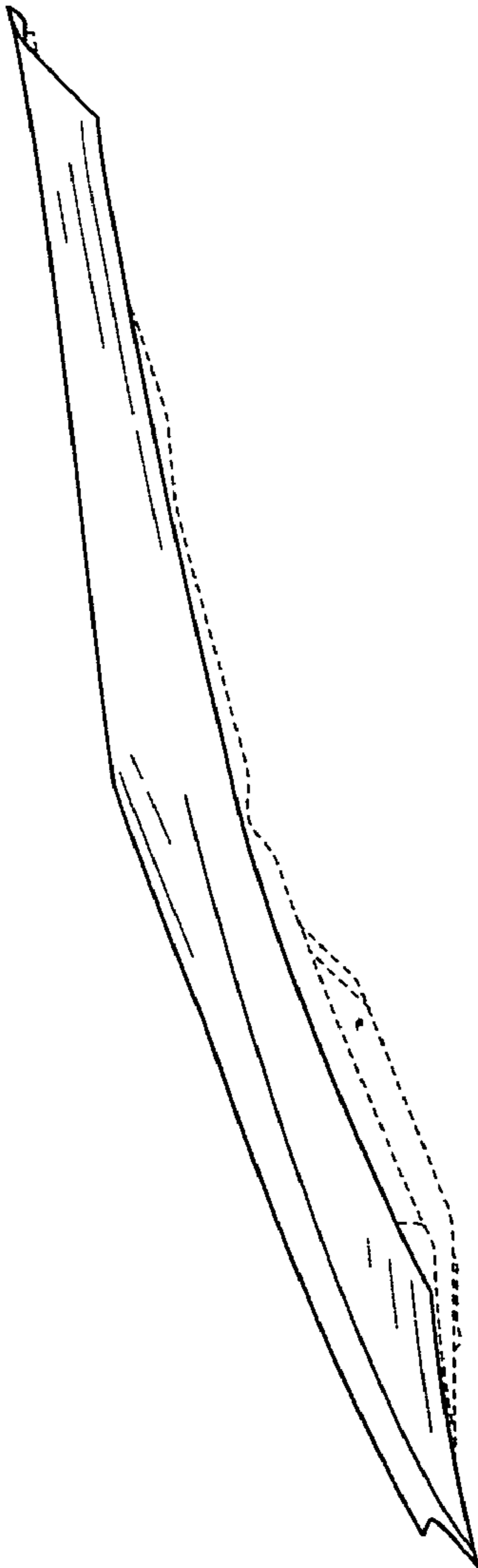


FIG. 5

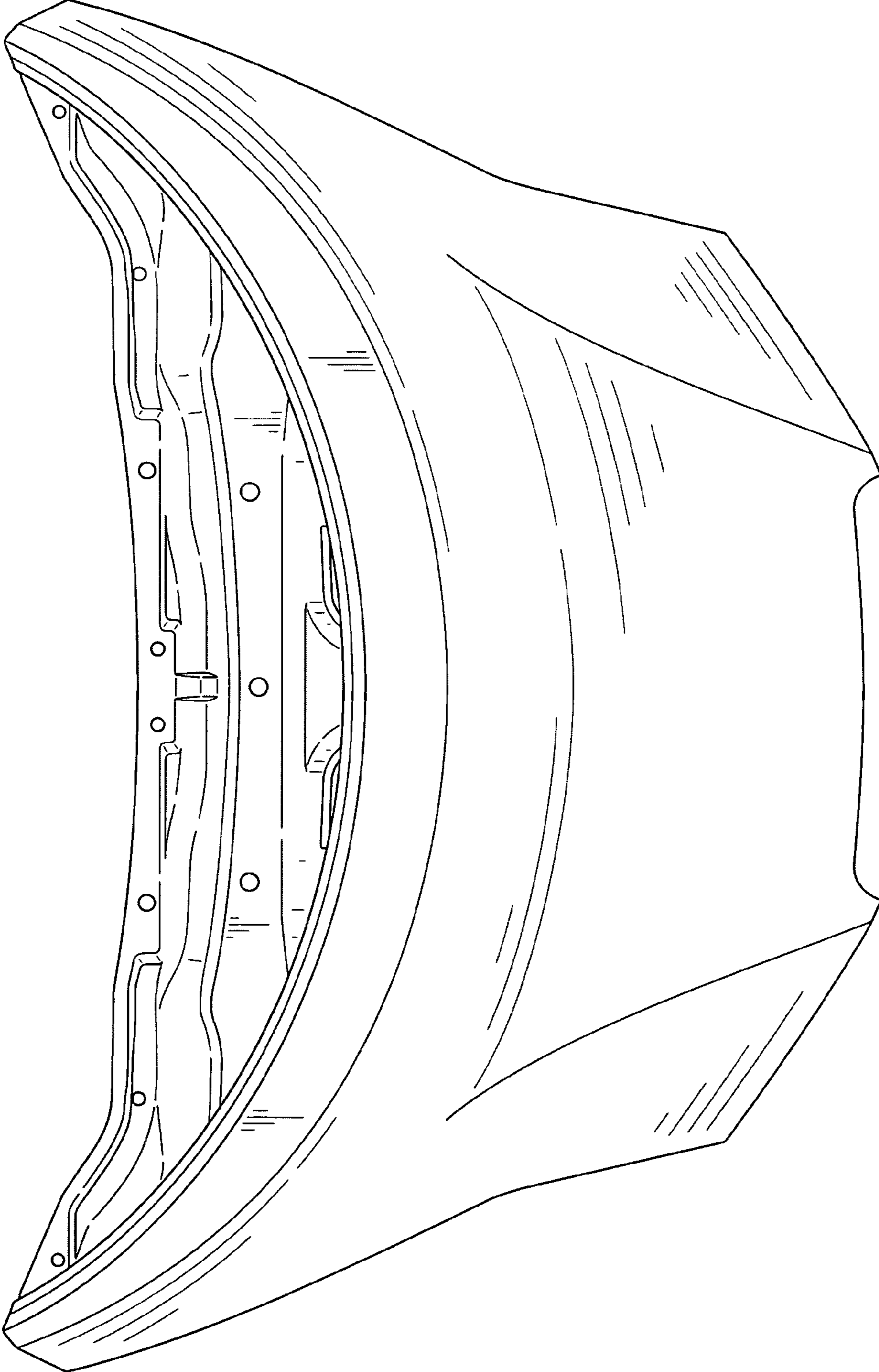


FIG. 6

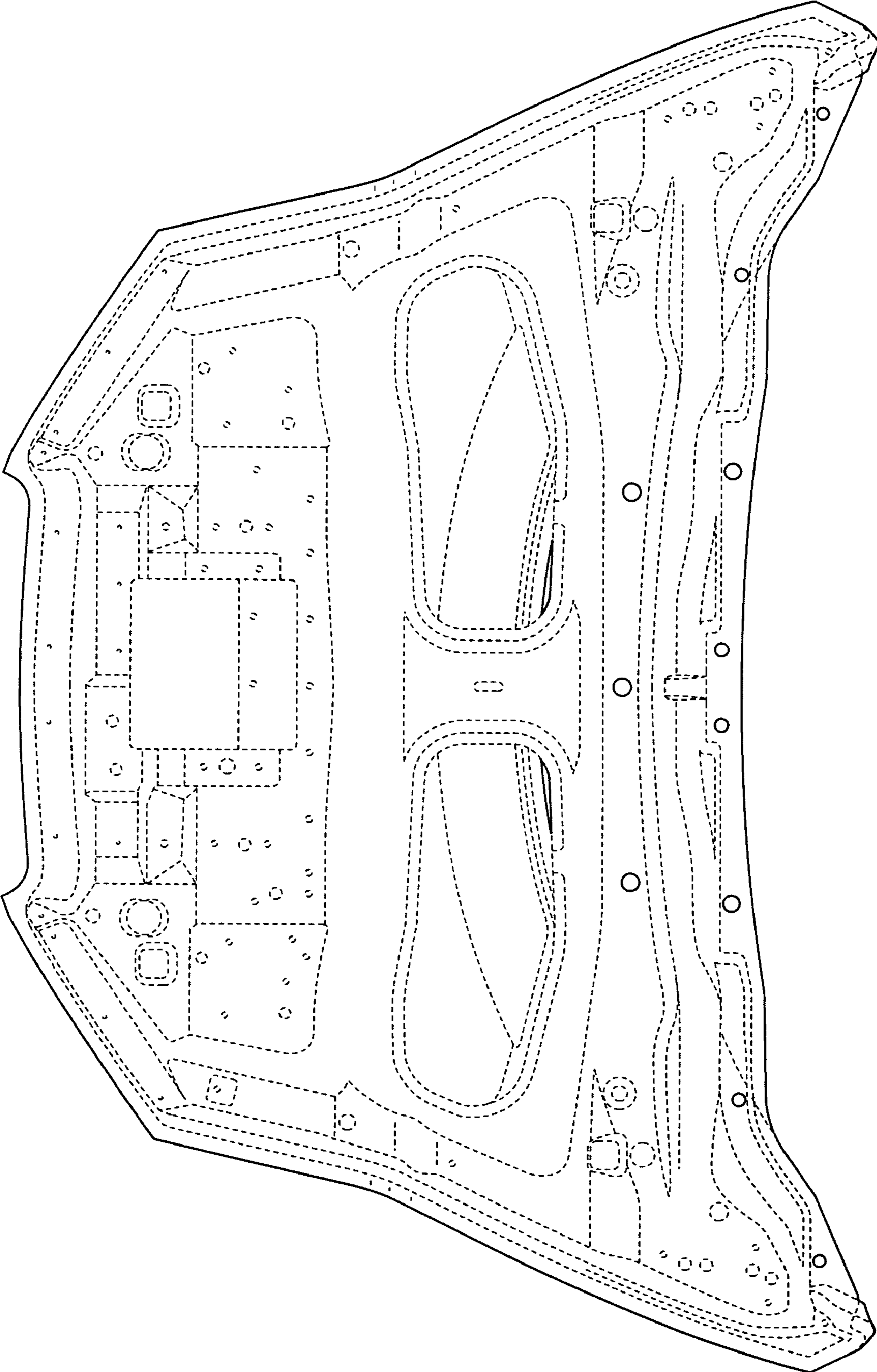


FIG. 7