



US00D626463S

(12) **United States Design Patent**
Futschik et al.

(10) **Patent No.:** **US D626,463 S**

(45) **Date of Patent:** **** Nov. 2, 2010**

(54) **RADIATOR GRILL FOR A VEHICLE**

(75) Inventors: **Hans-Dieter Futschik**, Gechingen (DE);
Steffen Koehl, Stuttgart (DE); **Hubert Lee**, Irvine, CA (US); **Gorden Wagener**, Stuttgart (DE)

(73) Assignee: **Daimler AG**, Stuttgart (DE)

(**) Term: **14 Years**

(21) Appl. No.: **29/309,774**

(22) Filed: **Oct. 7, 2008**

(30) **Foreign Application Priority Data**

Apr. 8, 2008 (DE) 402008001752

(51) **LOC (9) Cl.** **12-16**

(52) **U.S. Cl.** **D12/163**

(58) **Field of Classification Search** D12/163,
D12/171, 196, 216, 90-92, 86, 164; 180/68.1,
180/68.6; 296/193.11

See application file for complete search history.

(56) **References Cited**

U.S. PATENT DOCUMENTS

D519,426 S *	4/2006	Ikeda	D12/163
D524,703 S *	7/2006	Konaka	D12/163
D526,253 S *	8/2006	Oda	D12/163
D537,018 S *	2/2007	Fujimaki	D12/163
D563,289 S *	3/2008	Pfeiffer	D12/163
D587,637 S *	3/2009	Pfeiffer	D12/164
D589,413 S *	3/2009	Pfeiffer	D12/163

D598,818 S * 8/2009 Bauer et al. D12/163

* cited by examiner

Primary Examiner—Melody N Brown

(74) *Attorney, Agent, or Firm*—Crowell & Moring LLP

(57) **CLAIM**

The ornamental design for a radiator grill for a vehicle, as shown and described.

DESCRIPTION

This application contains subject matter related to the following co-pending U.S. applications:

U.S. application Ser. No. 29/309,776, filed Oct. 7, 2008 and entitled "Radiator Grill for a Vehicle;"

U.S. application Ser. No. 29/311,619, filed May 1, 2009 and entitled "Vehicle and Vehicle Shaped Articles;" and

U.S. application Ser. No. 29/311,621, filed May 1, 2009 and entitled "Front Portion of a Vehicle and Vehicle Shaped Articles."

FIG. 1 is a left perspective view of a radiator grill for a vehicle according to our novel design, the right perspective view being mirror symmetrical;

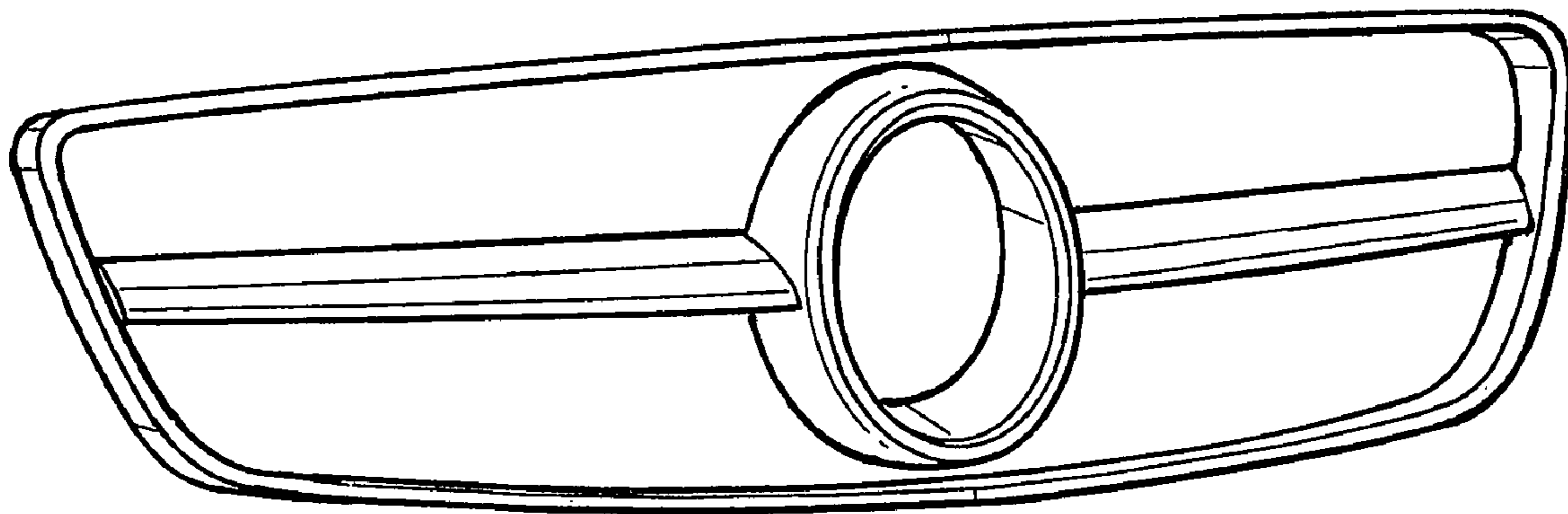
FIG. 2 is a front view thereof;

FIG. 3 is a left side view thereof, the right side view being mirror symmetrical; and,

FIG. 4 is a top view thereof.

The broken lines are for illustrative purposes only and form no part of the claimed design.

1 Claim, 2 Drawing Sheets



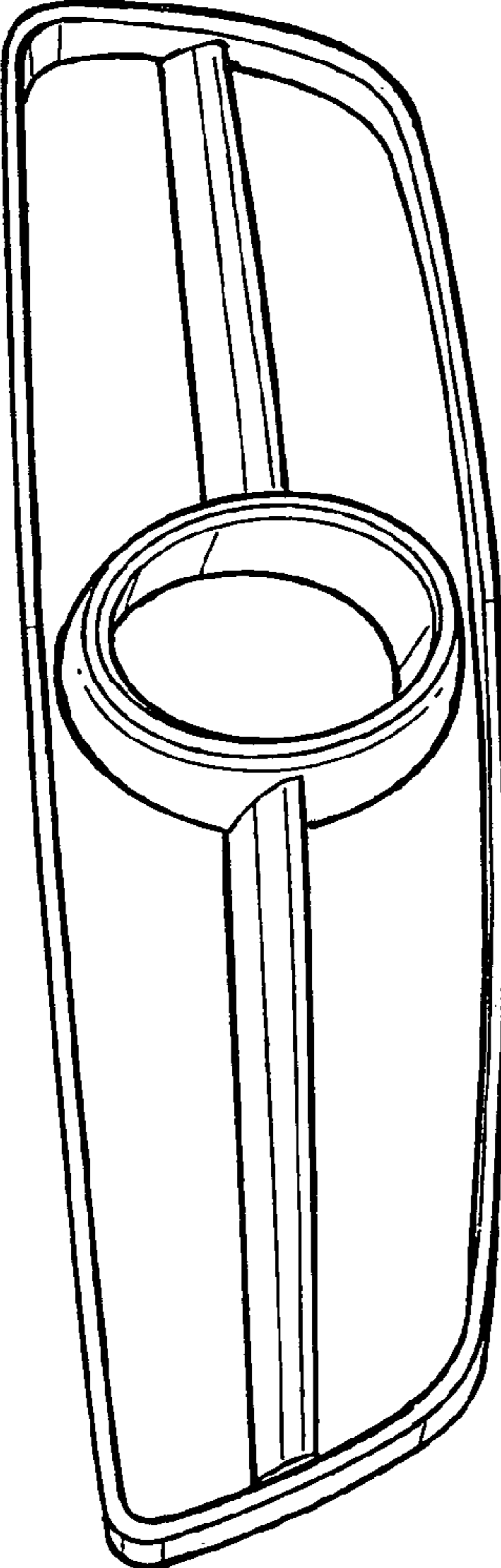


FIG. 1

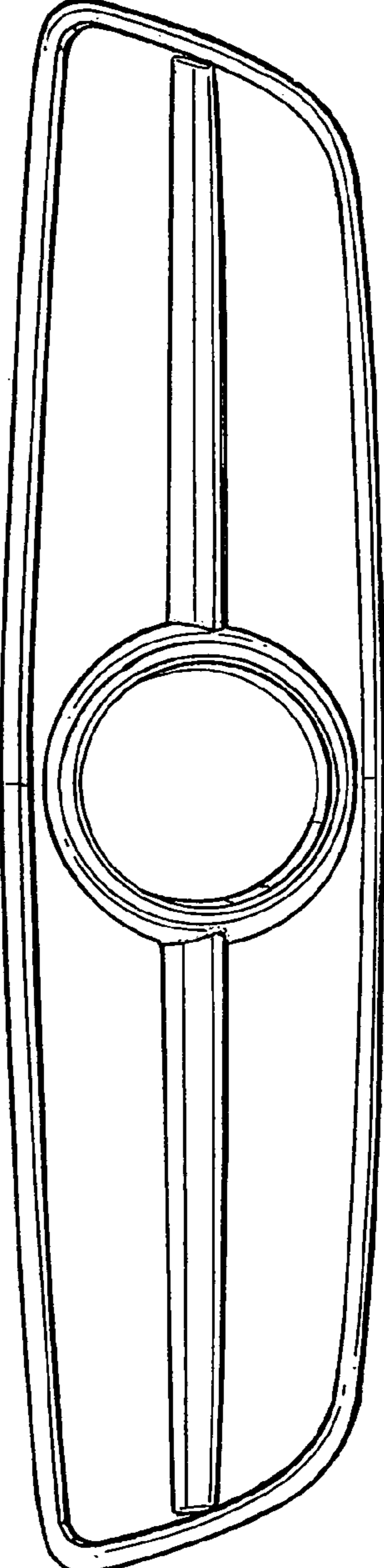


FIG. 2

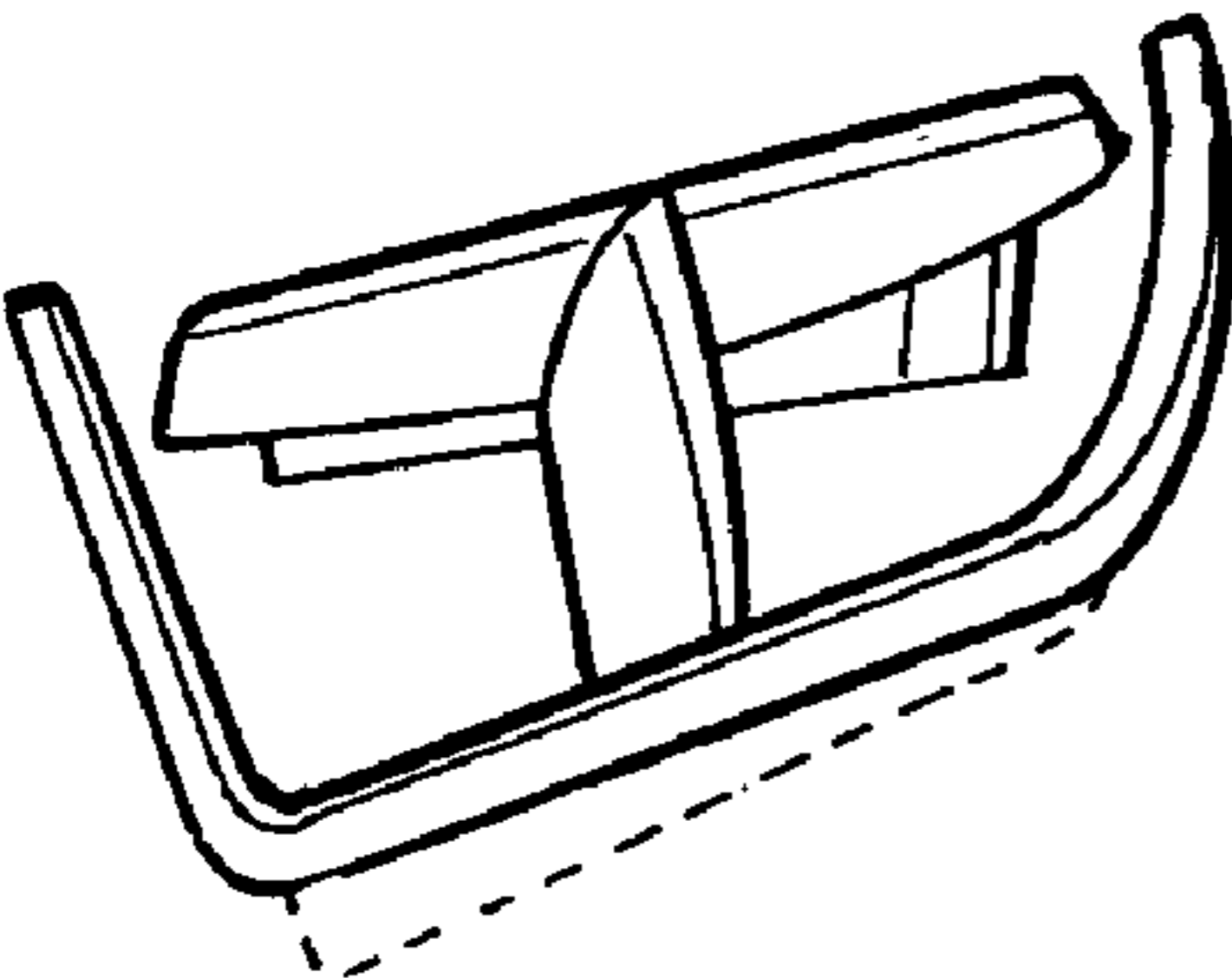


FIG. 3

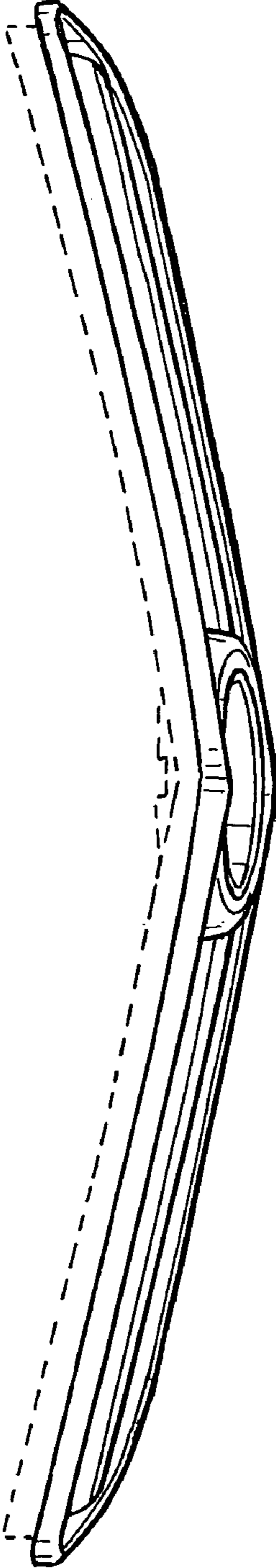


FIG. 4