



US00D626461S

(12) **United States Design Patent**
Barrios et al.

(10) **Patent No.:** **US D626,461 S**

(45) **Date of Patent:** **** Nov. 2, 2010**

(54) **PORTABLE CLEANING SYSTEM**

(75) Inventors: **Guillermo Morales Barrios**, Nuevo Leon (MX); **Hector Valdez Jaramillo**, Nuevo Leon (MX); **Gerardo Angel Gonzalez Chapa**, Neuvo Leon (MX)

(73) Assignee: **Karcher North America, Inc.**, Englewood, CO (US)

(**) Term: **14 Years**

(21) Appl. No.: **29/358,171**

(22) Filed: **Mar. 23, 2010**

(51) **LOC (9) Cl.** **12-10**

(52) **U.S. Cl.** **D12/101**

(58) **Field of Classification Search** D12/19,
D12/129, 101-106, 404; D21/425, 435;
D34/21-26, 12, 16; 296/168, 180, 180.2,
296/10, 61, 100.01-100.08; 280/204, 205,
280/63, 475, 482, 647

See application file for complete search history.

(56) **References Cited**

U.S. PATENT DOCUMENTS

D263,037 S * 2/1982 Brown D12/105
4,355,834 A * 10/1982 Alford 296/163
D276,902 S * 12/1984 Plugge D12/19

6,932,412 B1 * 8/2005 Paproski 296/100.06
D510,545 S * 10/2005 Riegel et al. D12/102
D566,624 S * 4/2008 Dempsey et al. D12/105
2006/0273622 A1 * 12/2006 Laird 296/168

* cited by examiner

Primary Examiner—Caron Veynar

Assistant Examiner—Katrina A Kile

(74) *Attorney, Agent, or Firm*—Sheridan Ross P.C.

(57) **CLAIM**

The ornamental design for a portable cleaning system, as shown and described.

DESCRIPTION

FIG. 1 is a front perspective view of the portable cleaning system;

FIG. 2 is a top plan view thereof;

FIG. 3 is a left elevation view thereof;

FIG. 4 is a right plan view thereof;

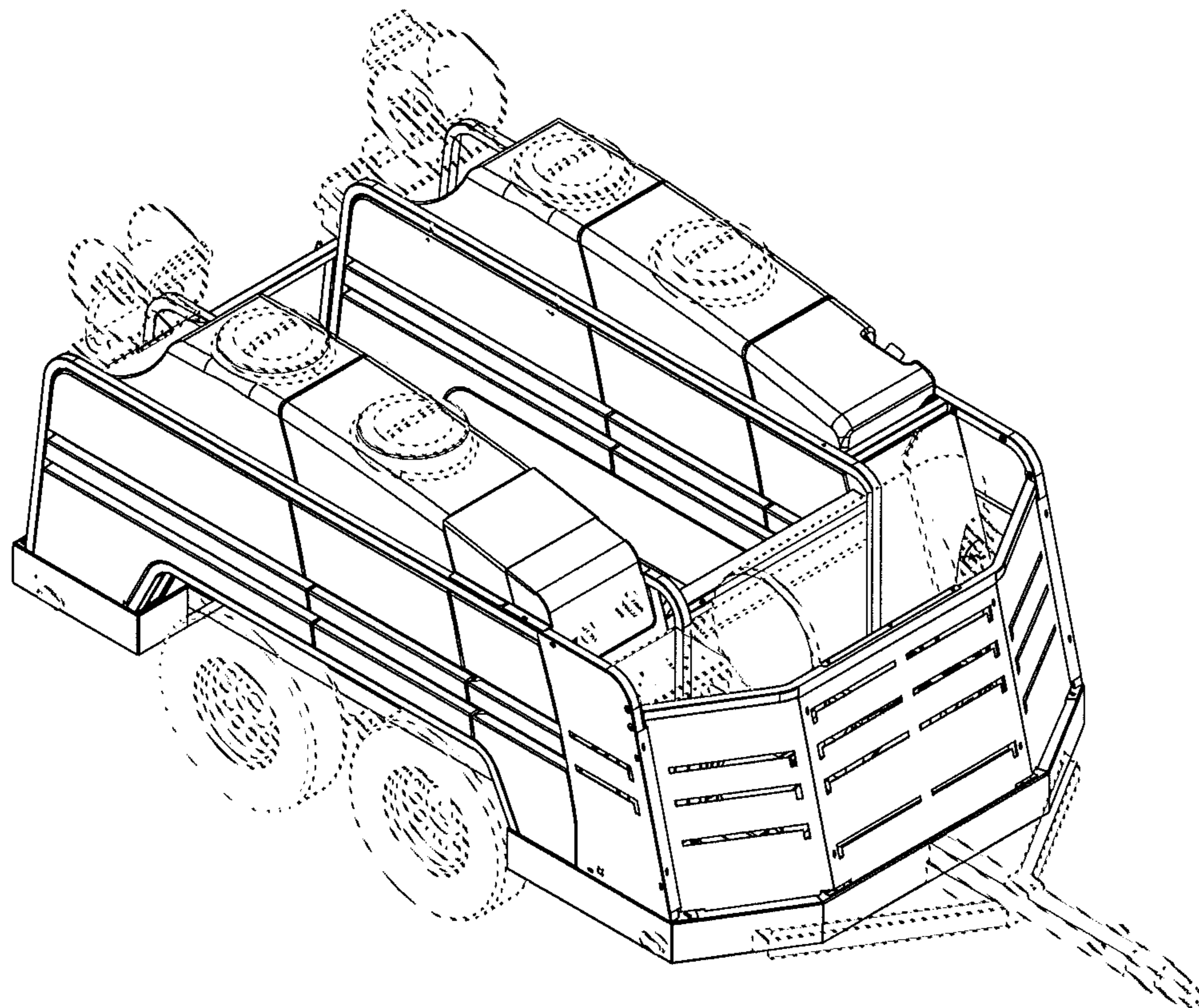
FIG. 5 is a front elevation view thereof;

FIG. 6 is a rear elevation view thereof; and,

FIG. 7 is a bottom plan view thereof.

In the drawings, the broken lines depict portions of the portable cleaning system that form no part of the claim.

1 Claim, 3 Drawing Sheets



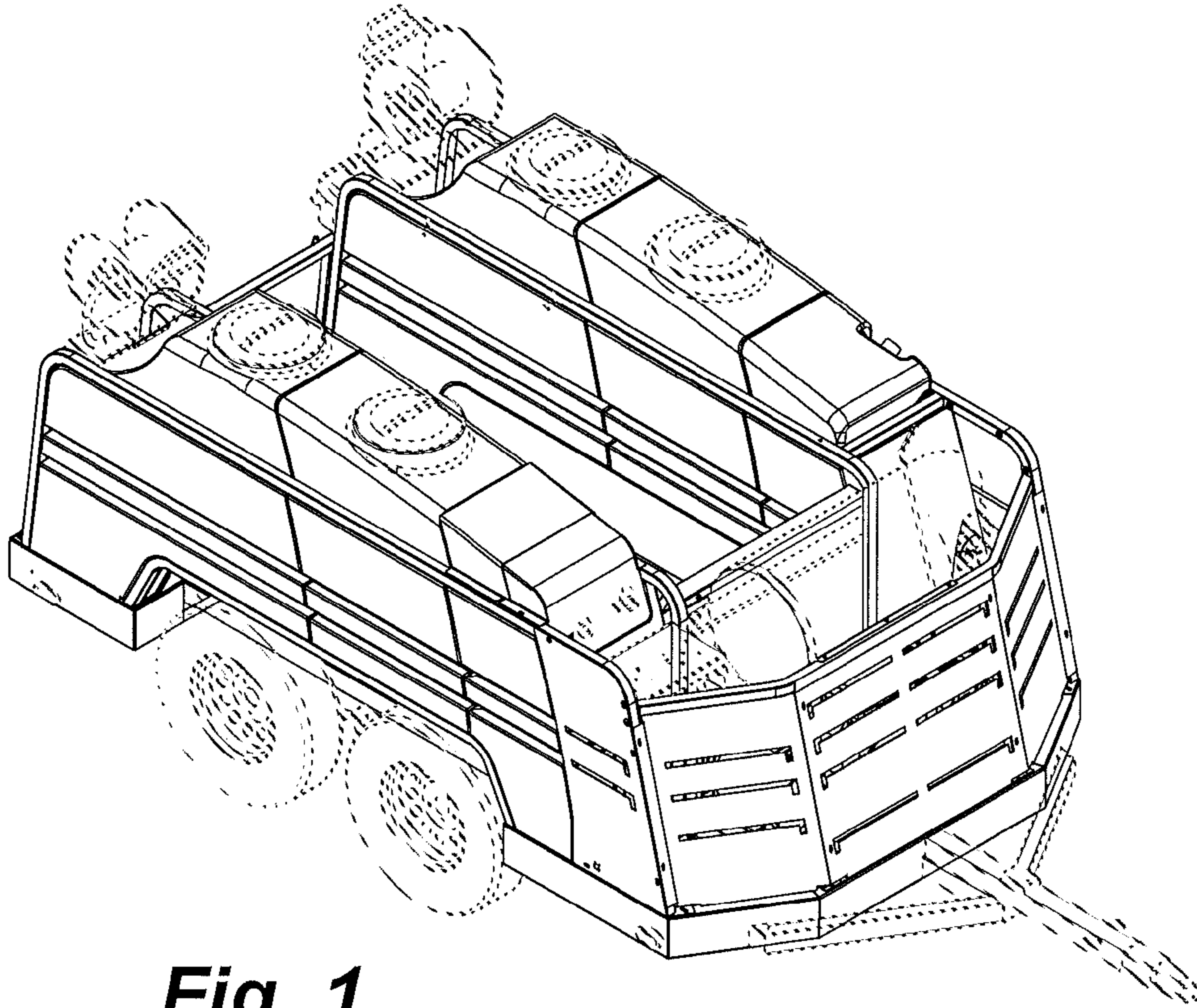


Fig. 1

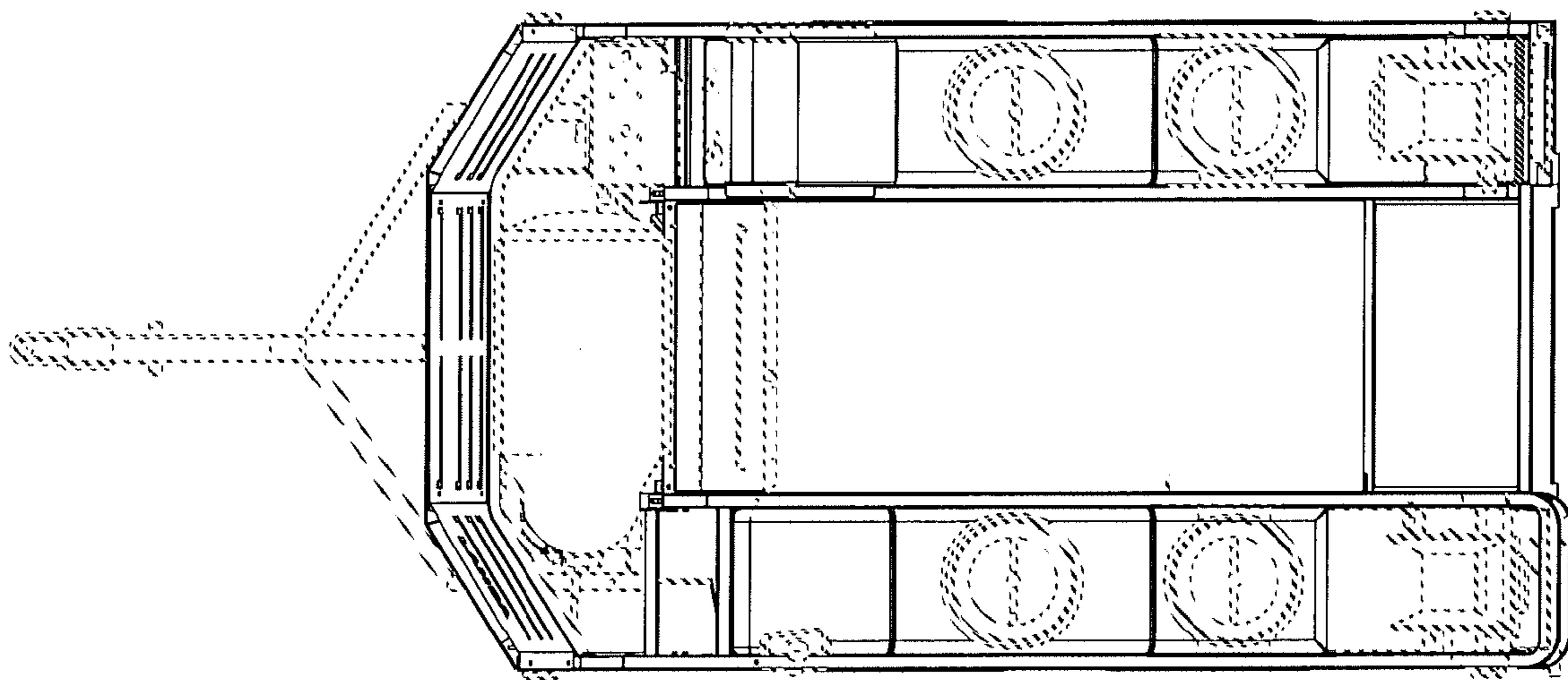


Fig. 2

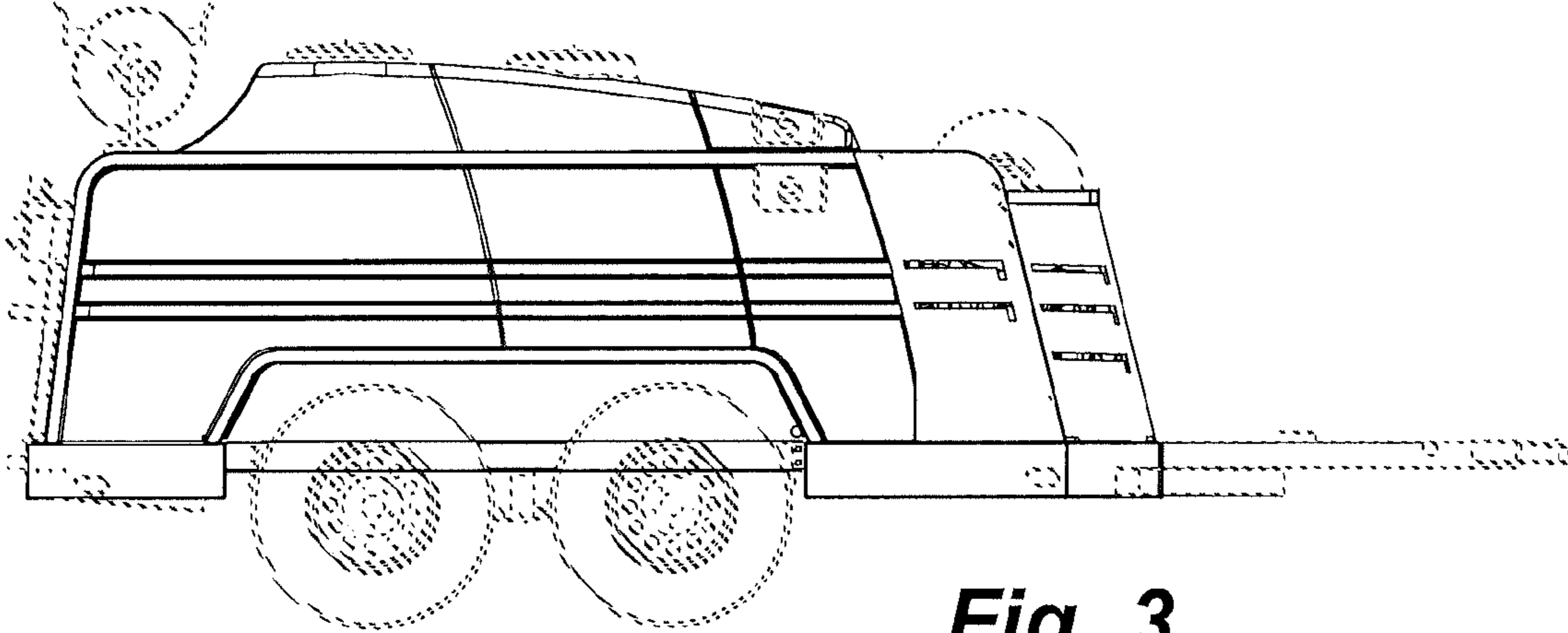


Fig. 3

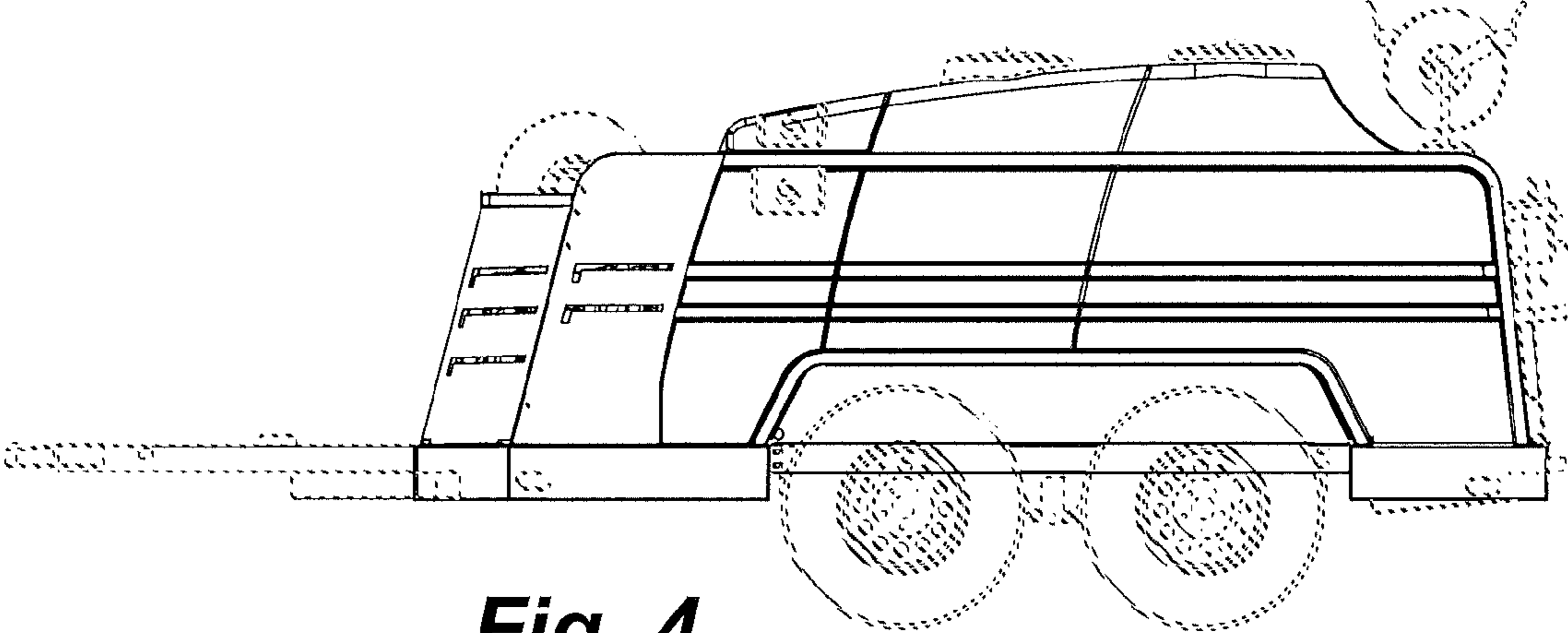


Fig. 4

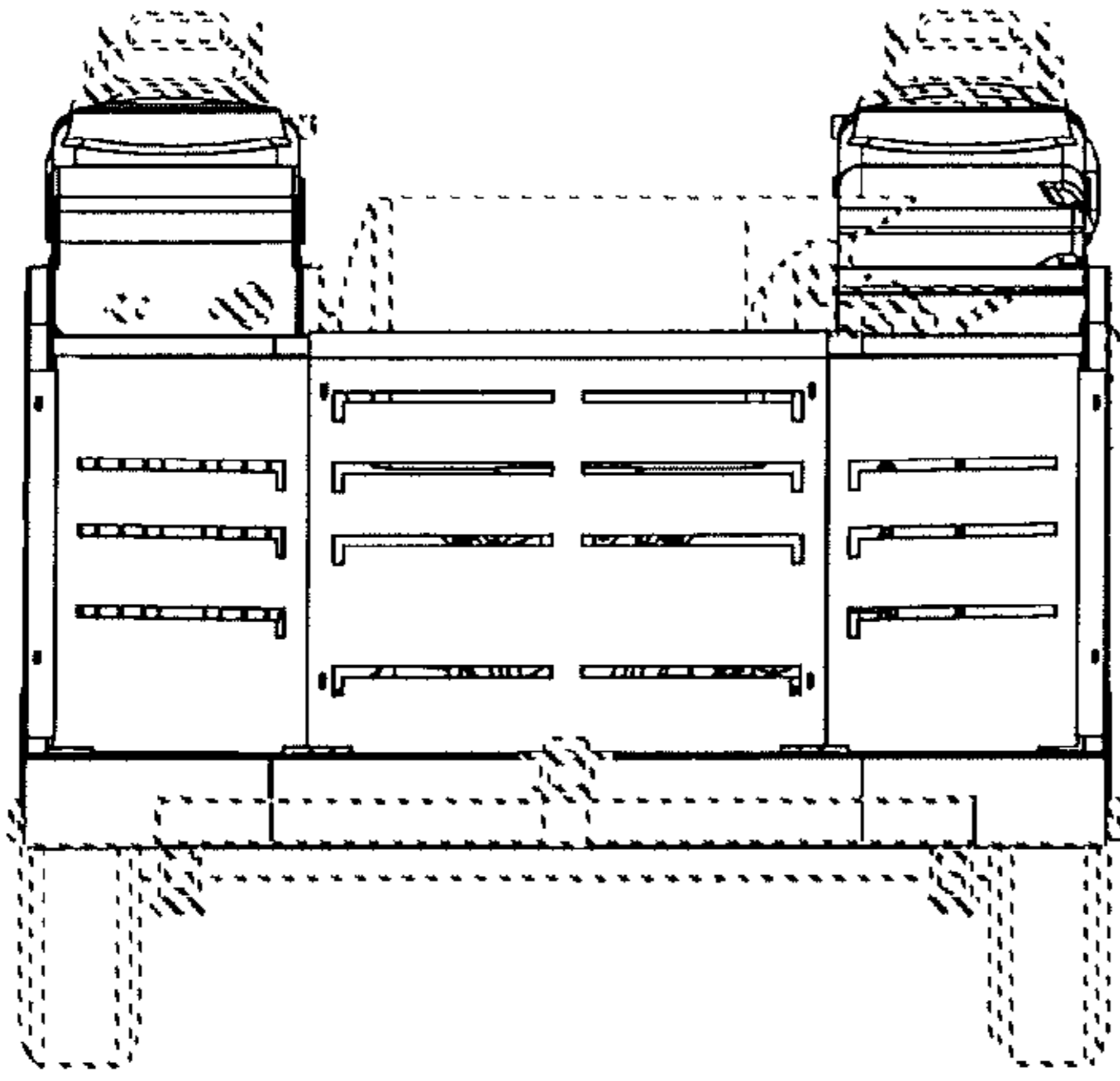


Fig. 5

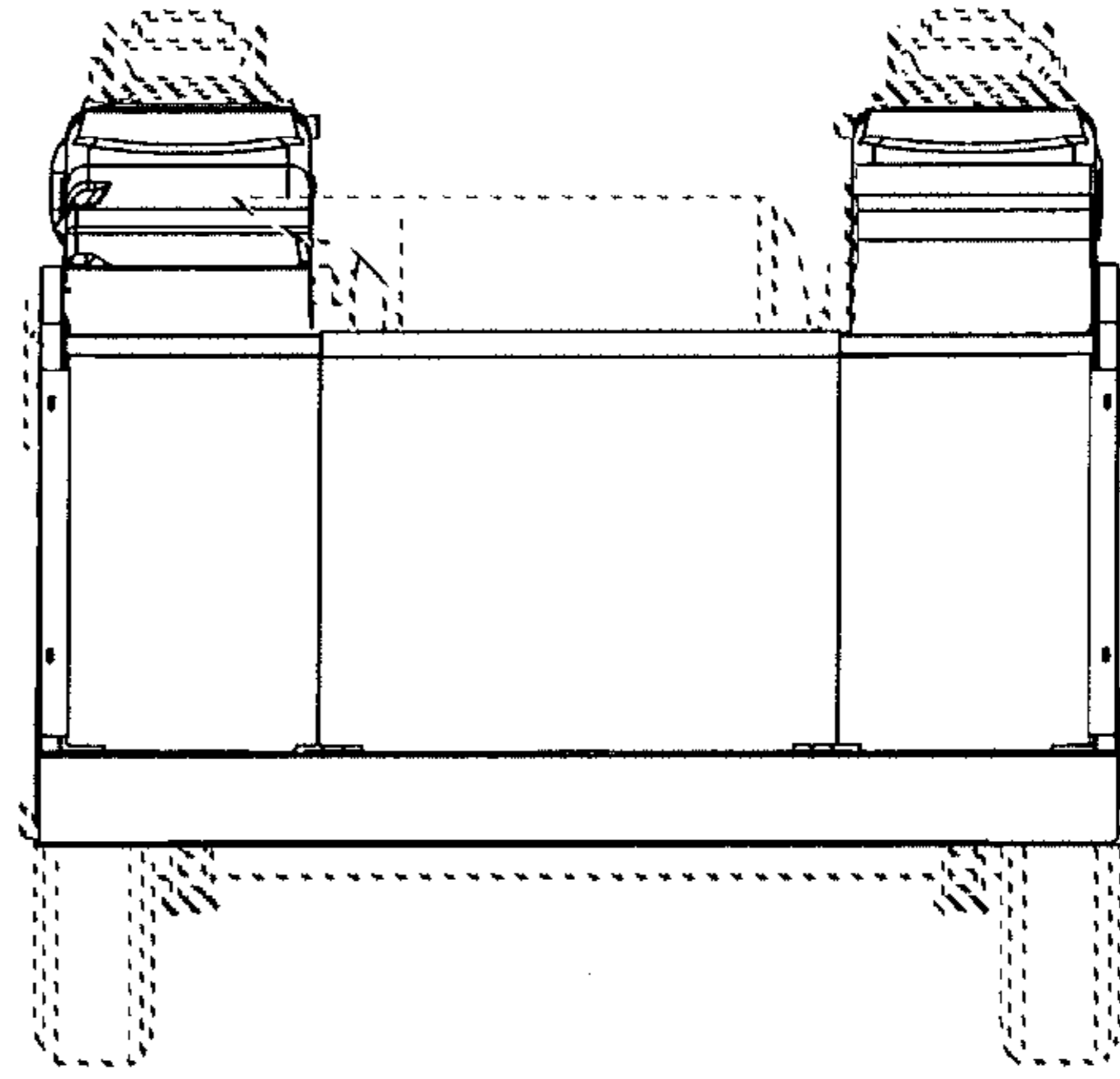


Fig. 6

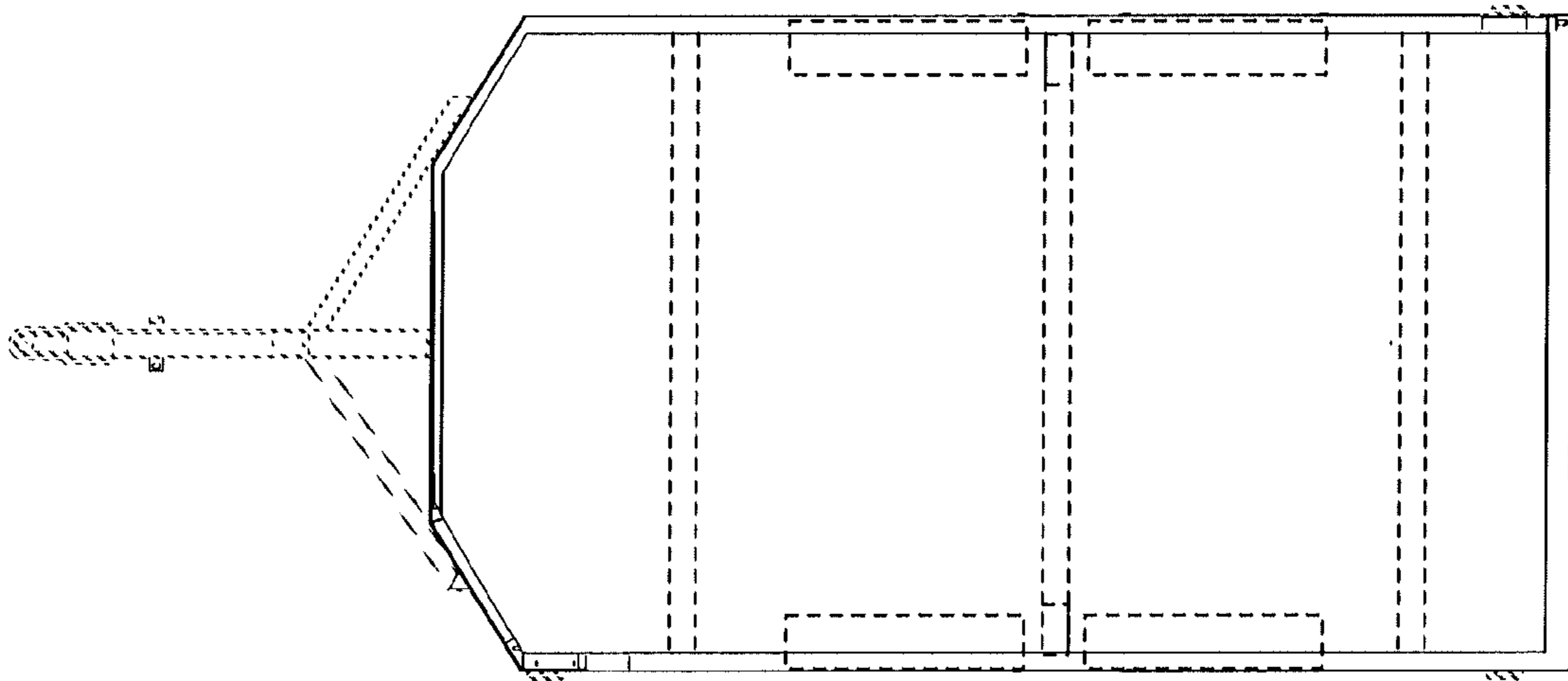


Fig. 7