



US00D626454S

(12) **United States Design Patent**
Bischoff et al.

(10) **Patent No.:** **US D626,454 S**

(45) **Date of Patent:** **** Nov. 2, 2010**

(54) **VEHICLE**

D590,299 S * 4/2009 Bischoff et al. D12/91

(75) Inventors: **Klaus Bischoff**, Evessen (DE); **Roland Faller**, Braunschweig (DE)

* cited by examiner

Primary Examiner—Melody N Brown

(73) Assignee: **Volkswagen AG**, Wolfsburg (DE)

(74) *Attorney, Agent, or Firm*—Klaus P. Stoffel; Lucas & Mercanti, LLP

(**) Term: **14 Years**

(21) Appl. No.: **29/333,457**

(57) **CLAIM**

(22) Filed: **Mar. 10, 2009**

The ornamental design for a vehicle, as shown and described.

(30) **Foreign Application Priority Data**

DESCRIPTION

Sep. 10, 2008 (WO) 459451601

FIG. 1 is a front, right side perspective view of the vehicle of the present invention;

(51) **LOC (9) Cl.** **12-08**

FIG. 2 is a front, left side perspective view thereof;

(52) **U.S. Cl.** **D12/91**

FIG. 3 is a rear, right side perspective view thereof;

(58) **Field of Classification Search** D12/86,

FIG. 4 is a rear, left side perspective view thereof;

D12/90–92, 98; 296/181.1, 181.5, 183.1

FIG. 5 is right side view thereof;

See application file for complete search history.

FIG. 6 is a left side view thereof;

(56) **References Cited**

FIG. 7 is a front view thereof;

U.S. PATENT DOCUMENTS

FIG. 8 is a rear view thereof;

D456,311 S * 4/2002 Yamamoto et al. D12/86

FIG. 9 is a top, rear, left side perspective; and,

D474,716 S * 5/2003 Wakao D12/91

FIG. 10 is a top, right side perspective view thereof.

D551,127 S * 9/2007 Krugger et al. D12/98

The broken lines are for illustrative purposes only and form no part of the claimed design.

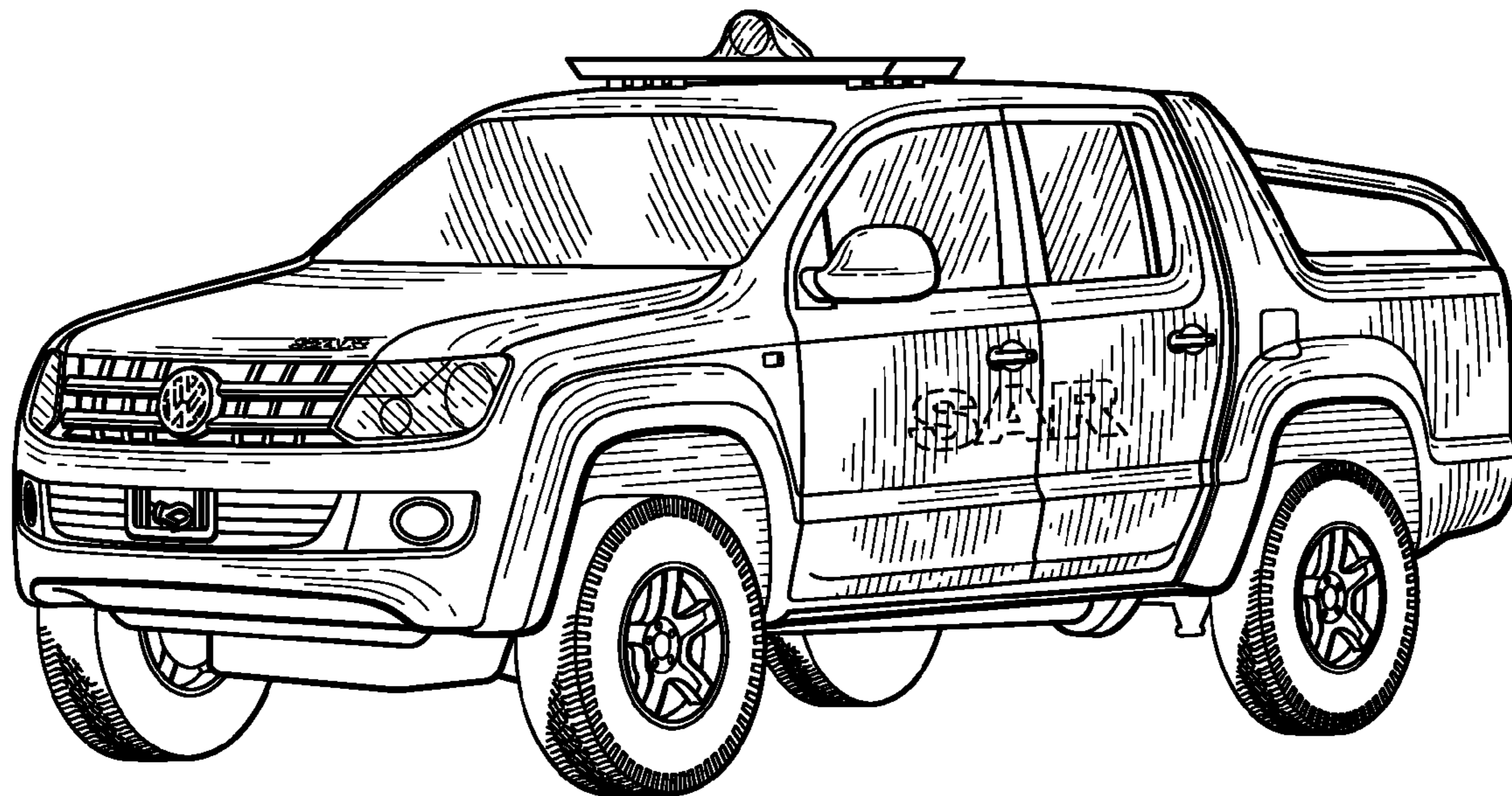
D552,511 S * 10/2007 Dekena et al. D12/91

D559,737 S * 1/2008 Bischoff et al. D12/91

D584,997 S * 1/2009 Bischoff et al. D12/91

D589,400 S * 3/2009 Bischoff et al. D12/91

1 Claim, 6 Drawing Sheets



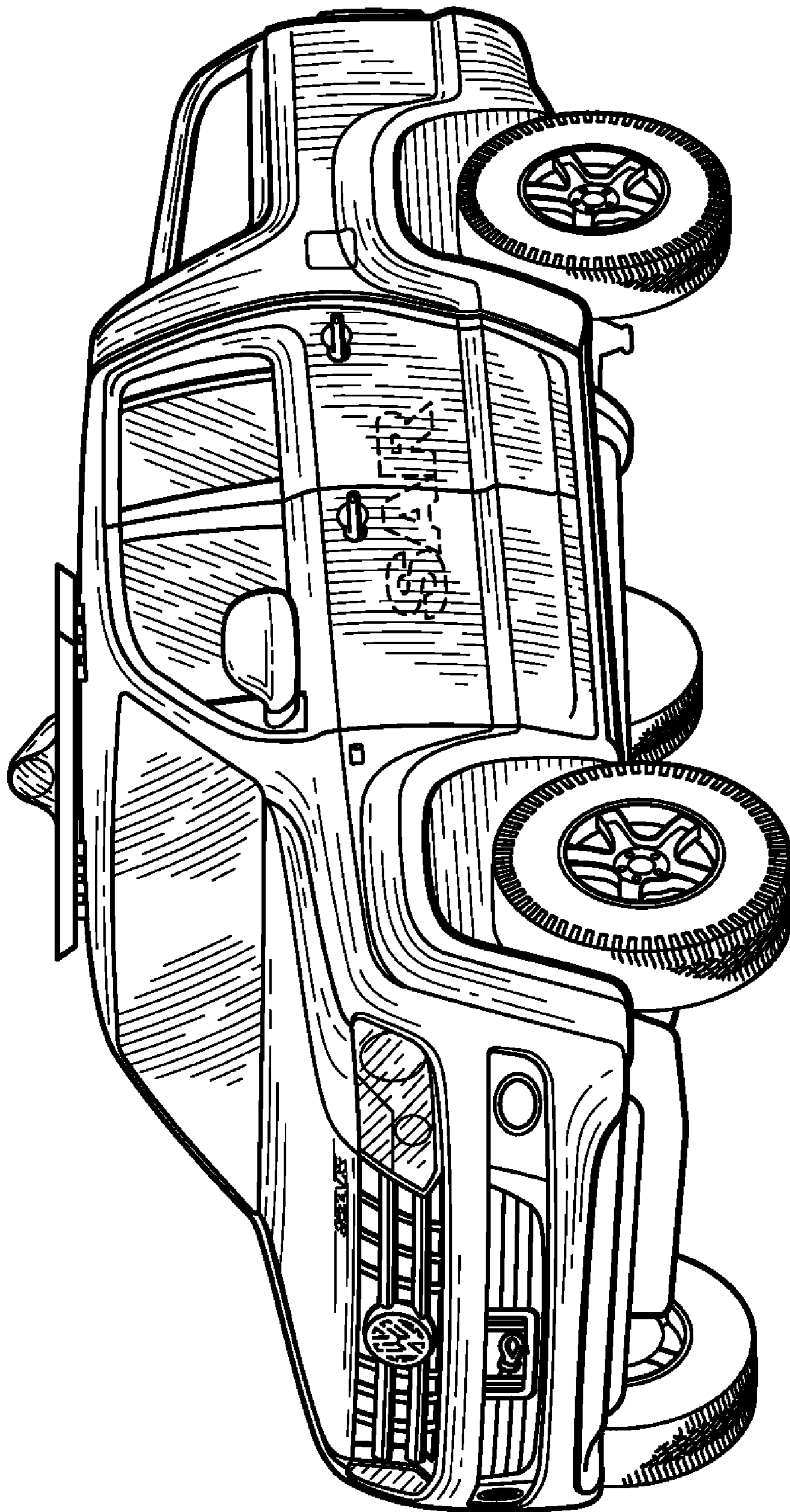


FIG. 1

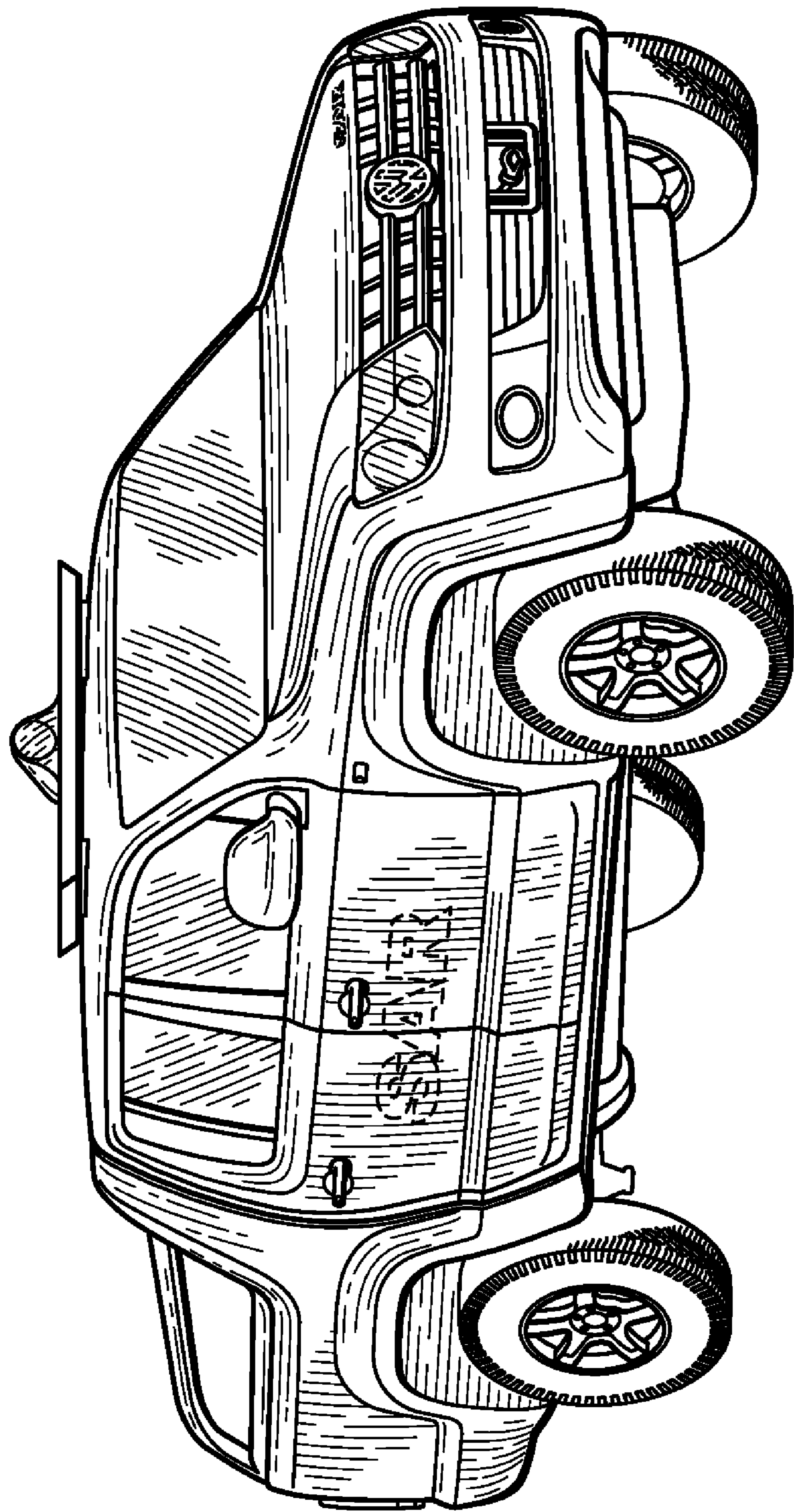


FIG. 2

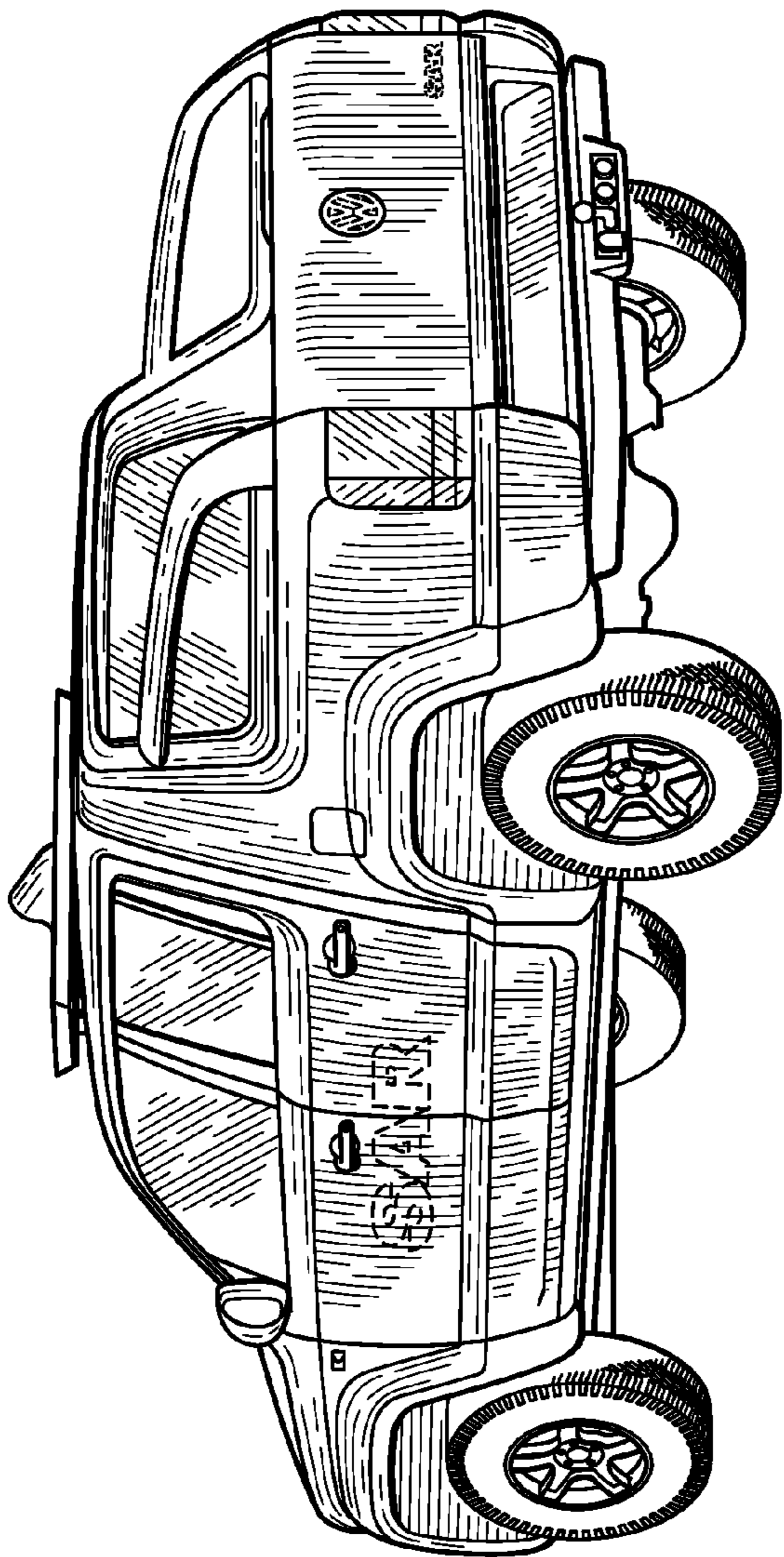


FIG. 3

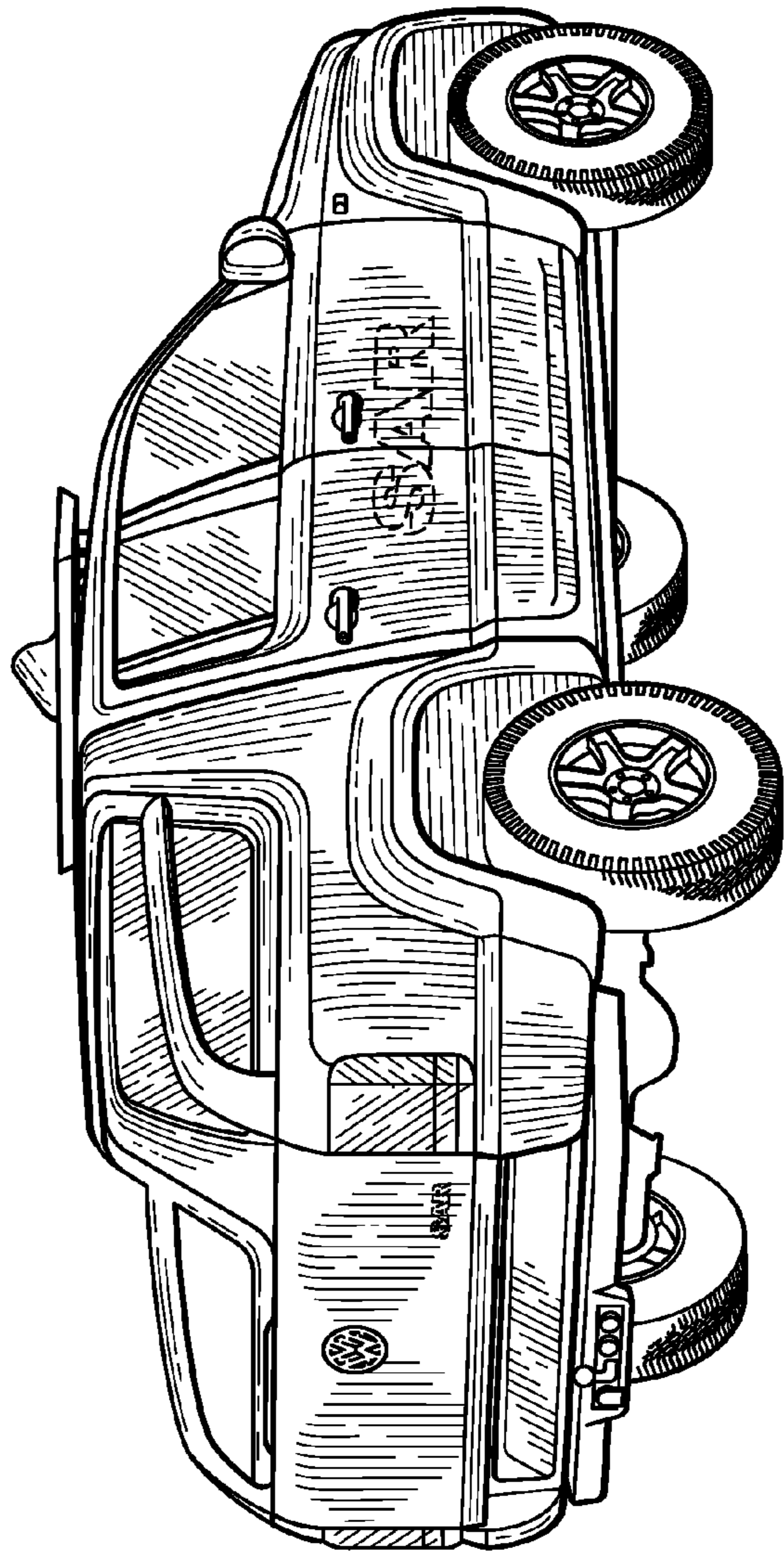


FIG. 4

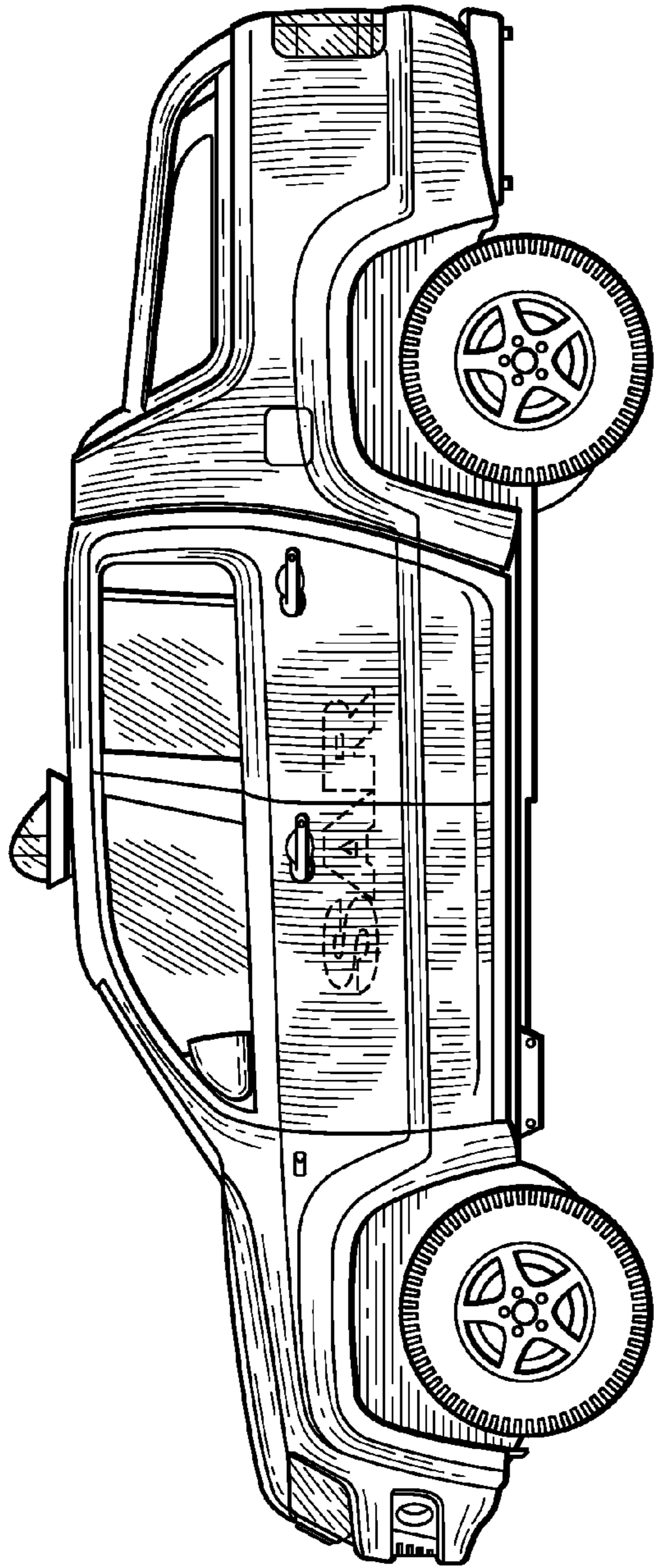


FIG. 5

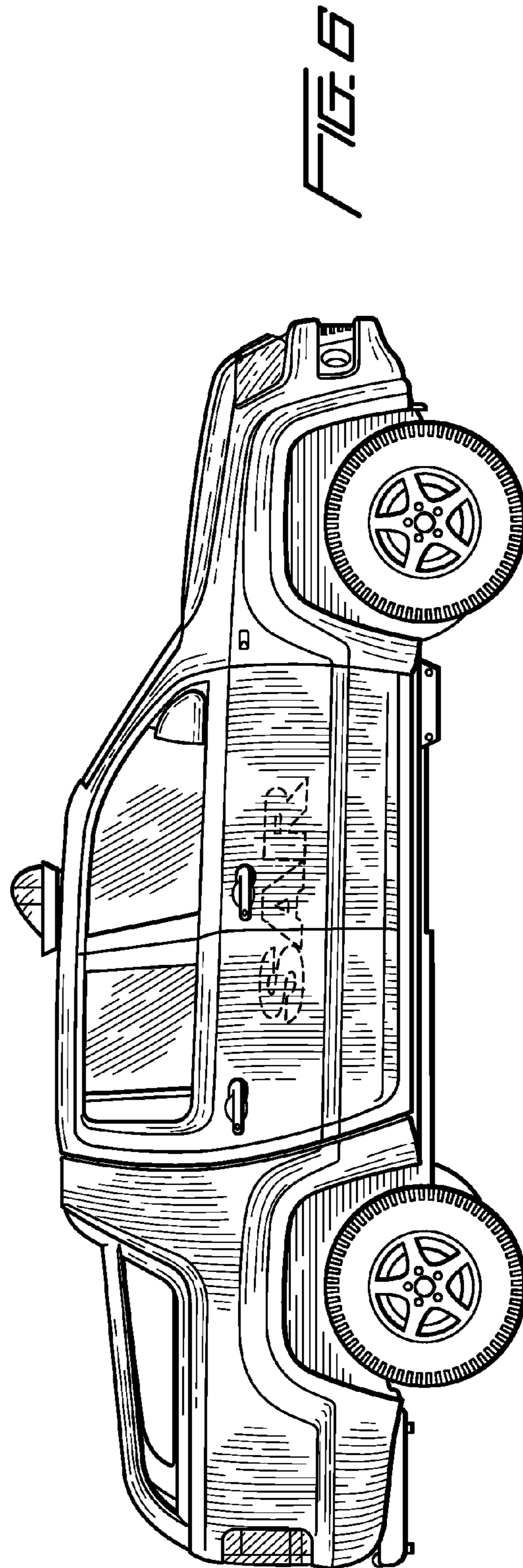


FIG. 6

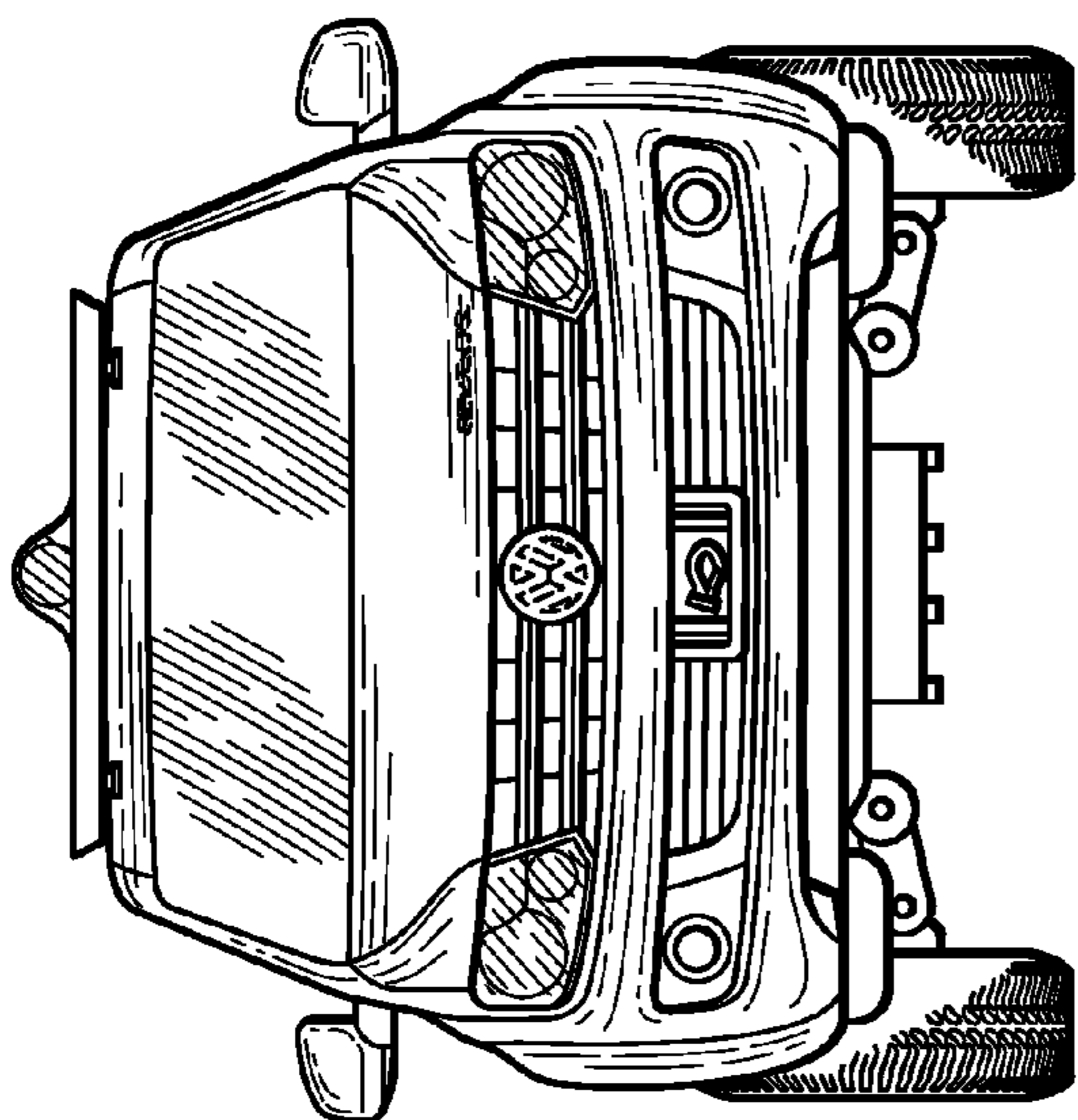


FIG. 7

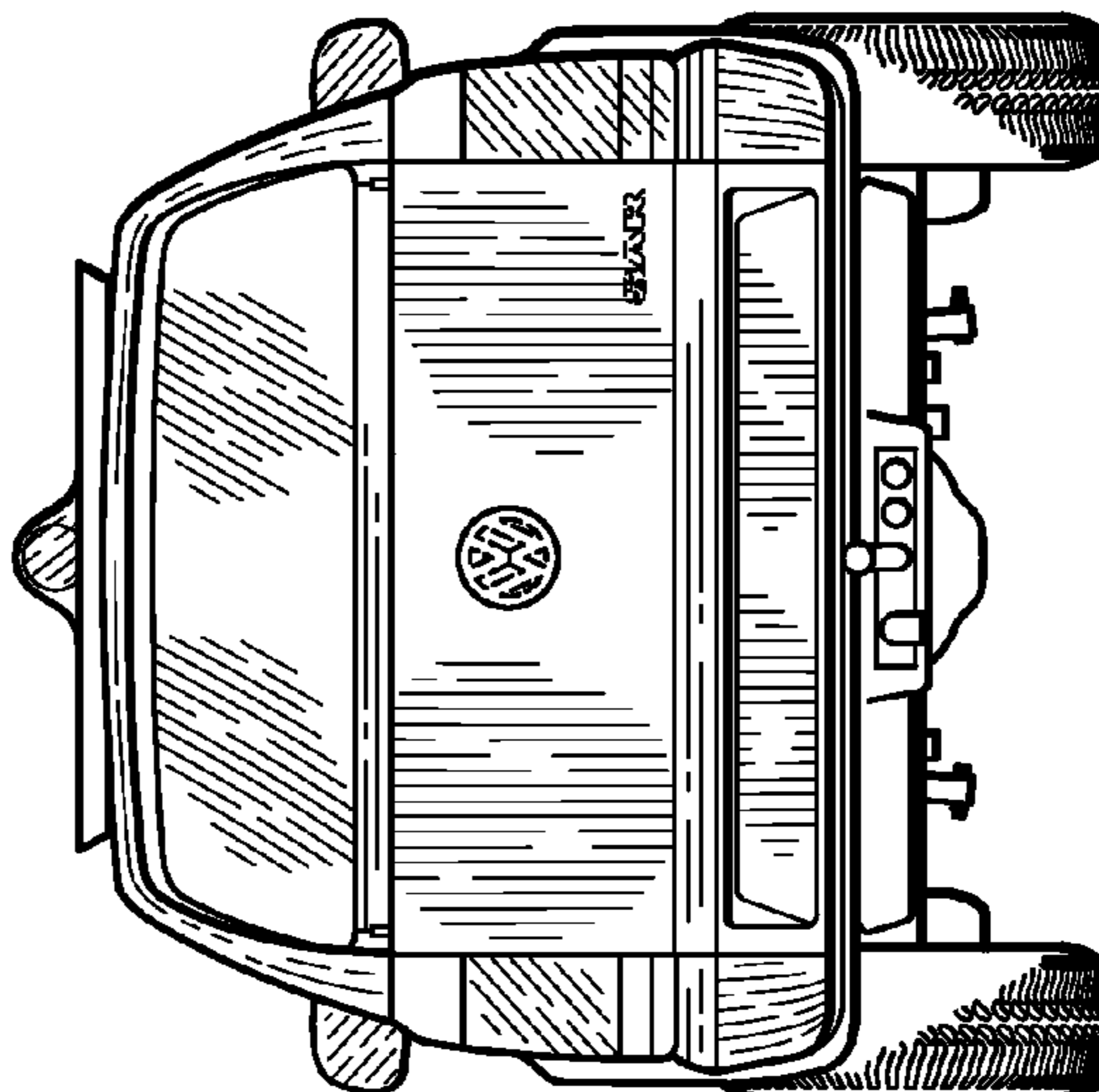


FIG. 8

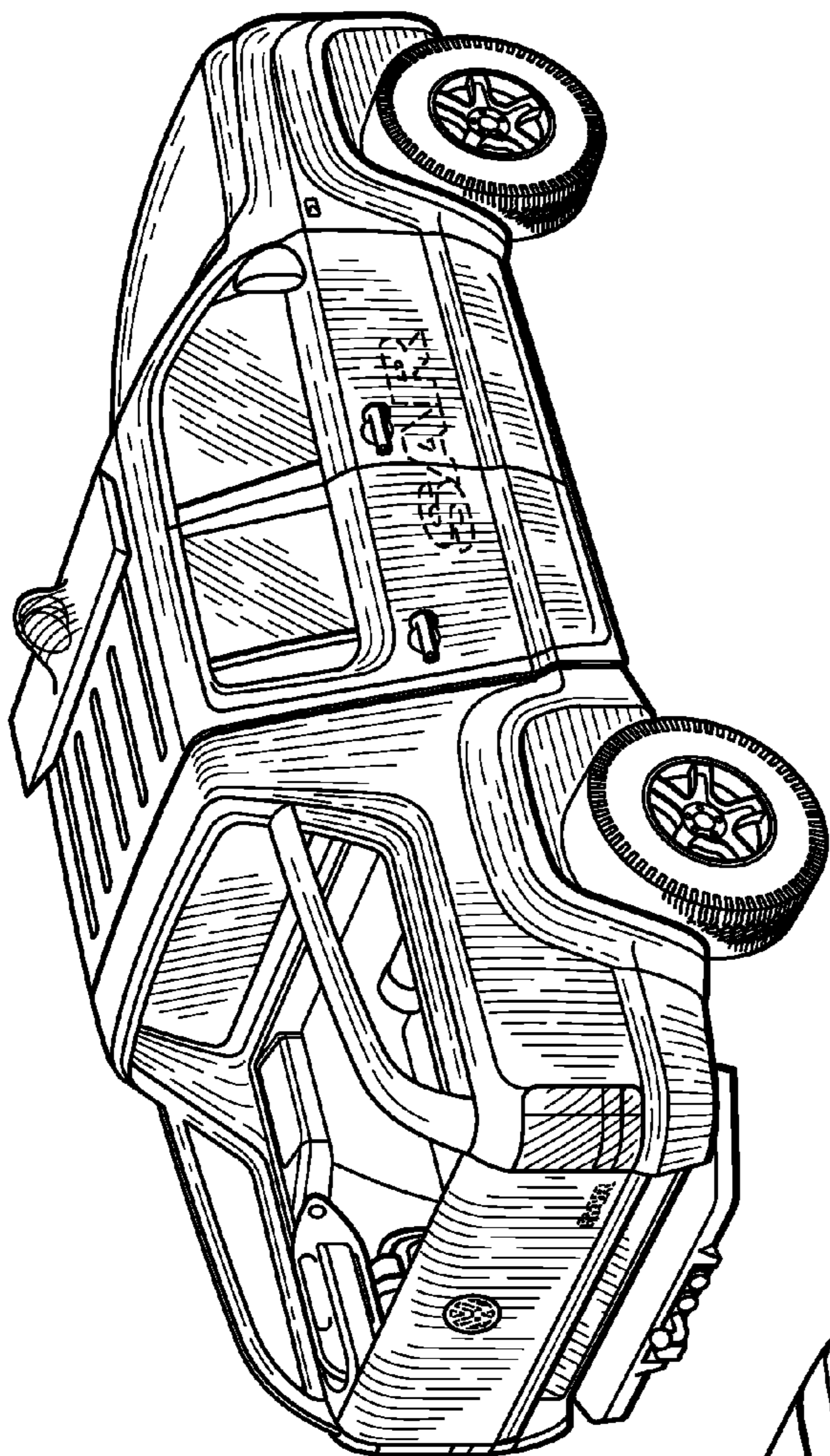


FIG. 9

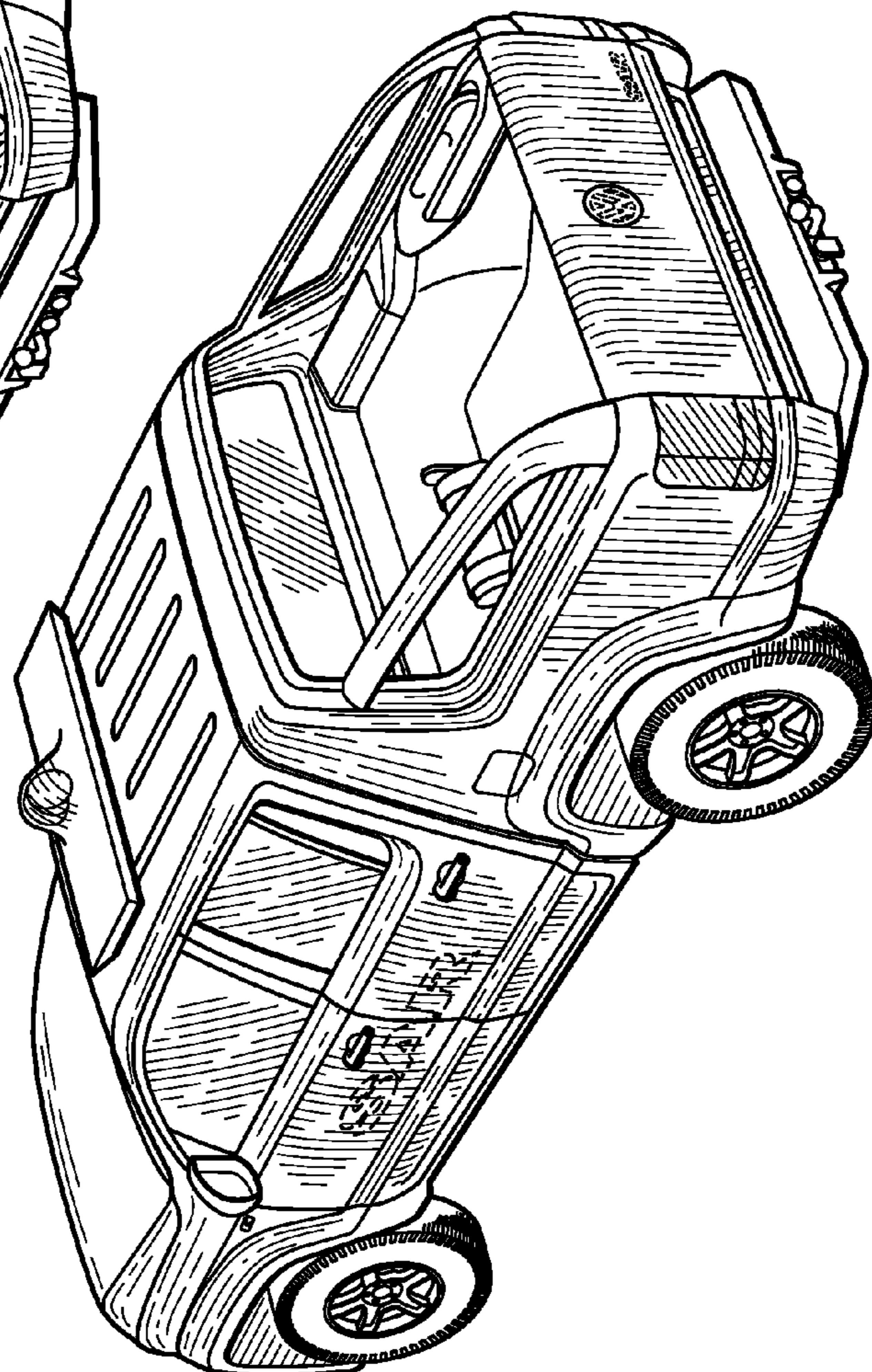


FIG. 10