



(12) **United States Design Patent**
Wong

(10) **Patent No.:** **US D626,450 S**
(45) **Date of Patent:** **** Nov. 2, 2010**

(54) **BUCKLE ASSEMBLY**

(75) Inventor: **Hon Wah Wong**, Hong Kong (HK)
(73) Assignee: **Glory Metal Products Manufacturing Ltd.**, Hong Kong (HK)
(**) Term: **14 Years**
(21) Appl. No.: **29/354,013**
(22) Filed: **Jan. 18, 2010**

(51) **LOC (9) Cl.** **02-07**
(52) **U.S. Cl.** **D11/218**
(58) **Field of Classification Search** D11/1-2,
D11/200-201, 206-210, 214-218; 24/163 R,
24/169-171, 173, 177-179, 191, 194-195,
24/197, 200

See application file for complete search history.

(56) **References Cited**

U.S. PATENT DOCUMENTS

D470,793 S * 2/2003 Horn et al. D11/200
D519,410 S * 4/2006 Luk D11/218
D527,309 S * 8/2006 Grimm D11/218

* cited by examiner

Primary Examiner—Ralf Seifert

(57) **CLAIM**

The ornamental design for a buckle assembly, as shown.

DESCRIPTION

FIG. 1 is a front view of a buckle assembly;

FIG. 2 is a back view of the buckle assembly;

FIG. 3 is a top view of the buckle assembly;

FIG. 4 is a bottom view of the buckle assembly;

FIG. 5 is a left view of the buckle assembly;

FIG. 6 is a right view of the buckle assembly;

FIG. 7 is a perspective view of the buckle assembly;

FIG. 8 is a front view of the first part of the buckle assembly;

FIG. 9 is a back view of the first part of the buckle assembly;

FIG. 10 is a top view of the first part of the buckle assembly;

FIG. 11 is a bottom view of the first part of the buckle assembly;

FIG. 12 is a left view of the first part of the buckle assembly;

FIG. 13 is a right view of the first part of the buckle assembly;

FIG. 14 is a perspective view of the first part of the buckle assembly;

FIG. 15 is a front view of the second part of the buckle assembly;

FIG. 16 is a back view of the second part of the buckle assembly;

FIG. 17 is a top view of the second part of the buckle assembly;

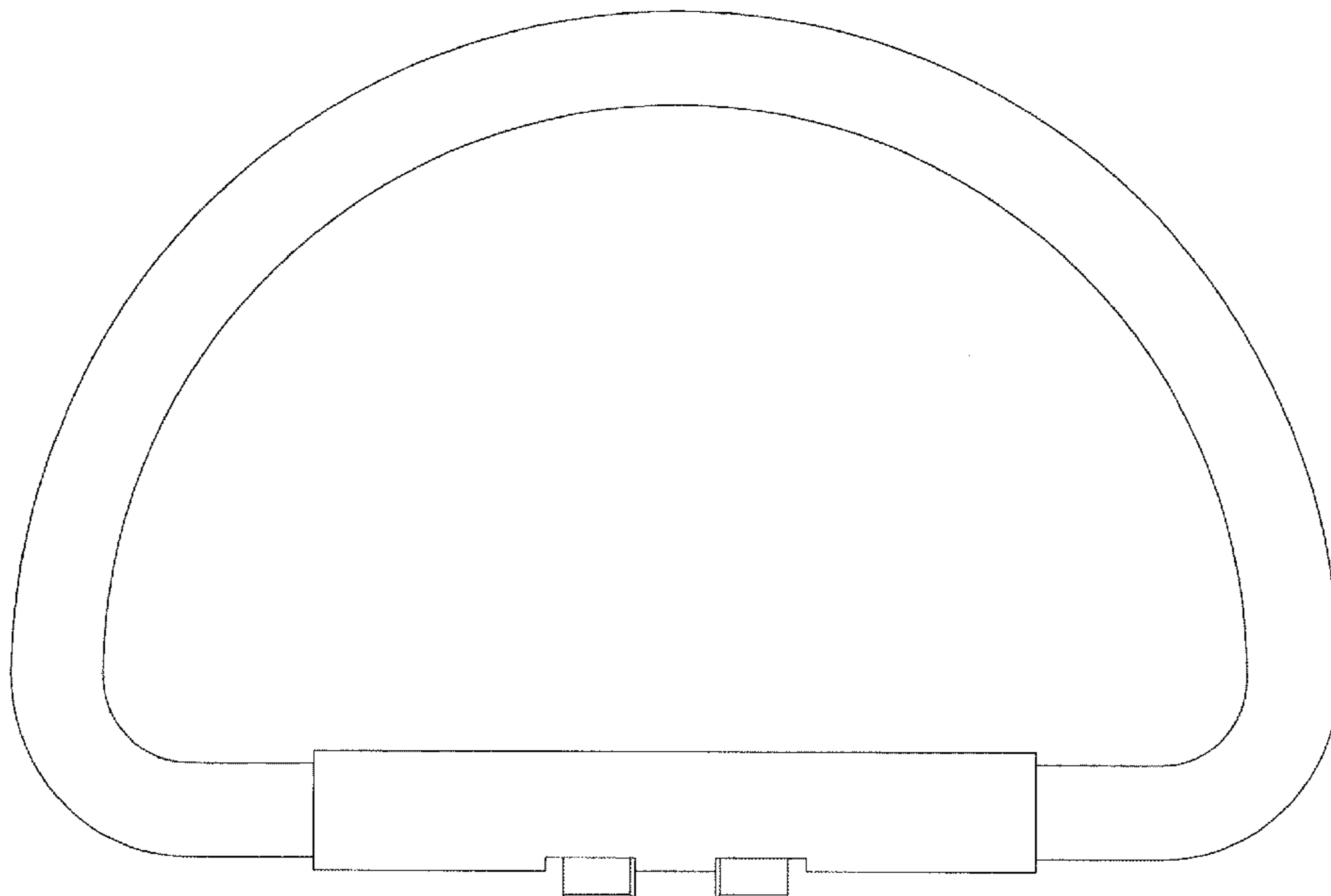
FIG. 18 is a bottom view of the second part of the buckle assembly;

FIG. 19 is a left view of the second part of the buckle assembly;

FIG. 20 is a right view of the second part of the buckle assembly; and,

FIG. 21 is a perspective view of the second part of the buckle assembly.

1 Claim, 15 Drawing Sheets



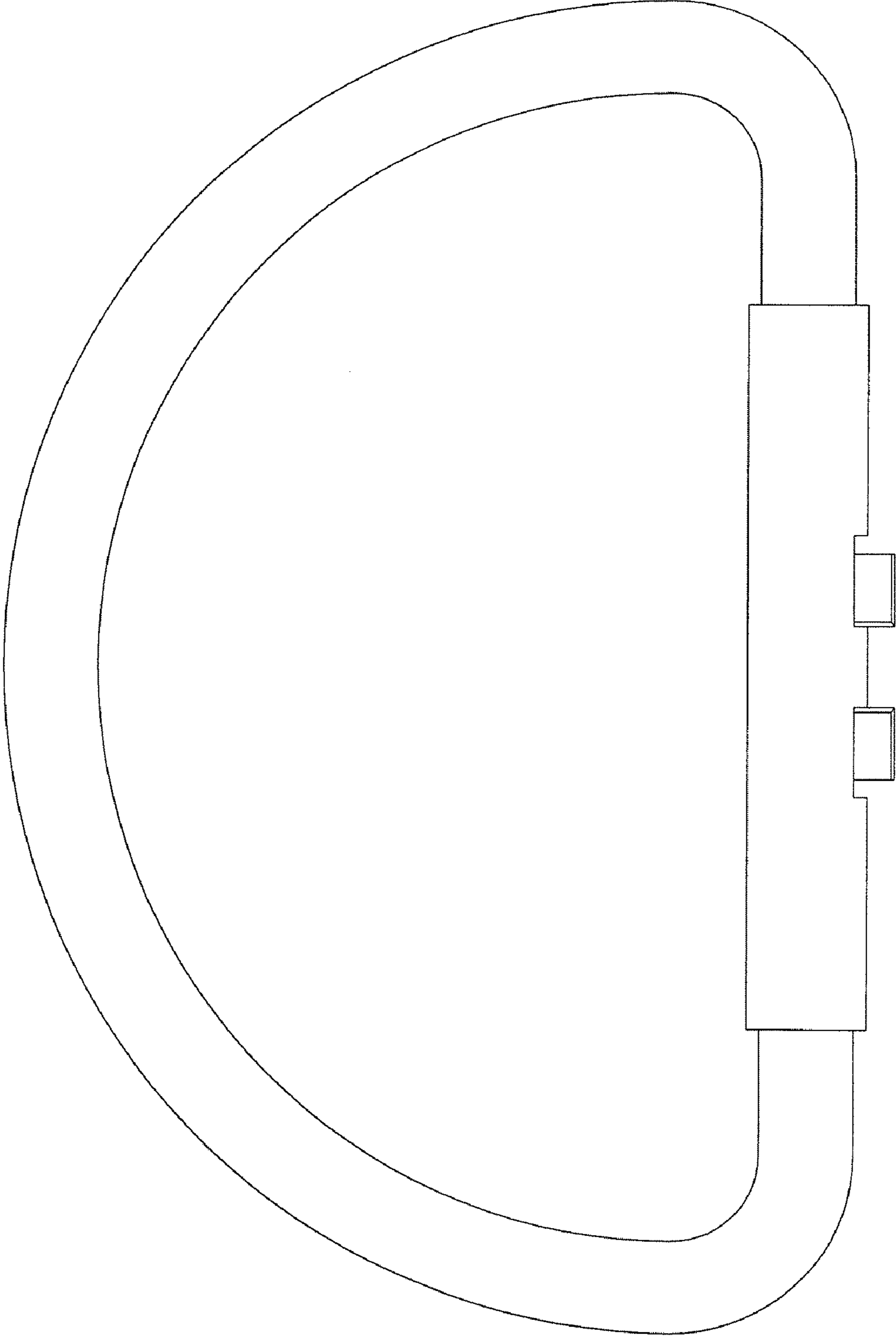


FIG. 1

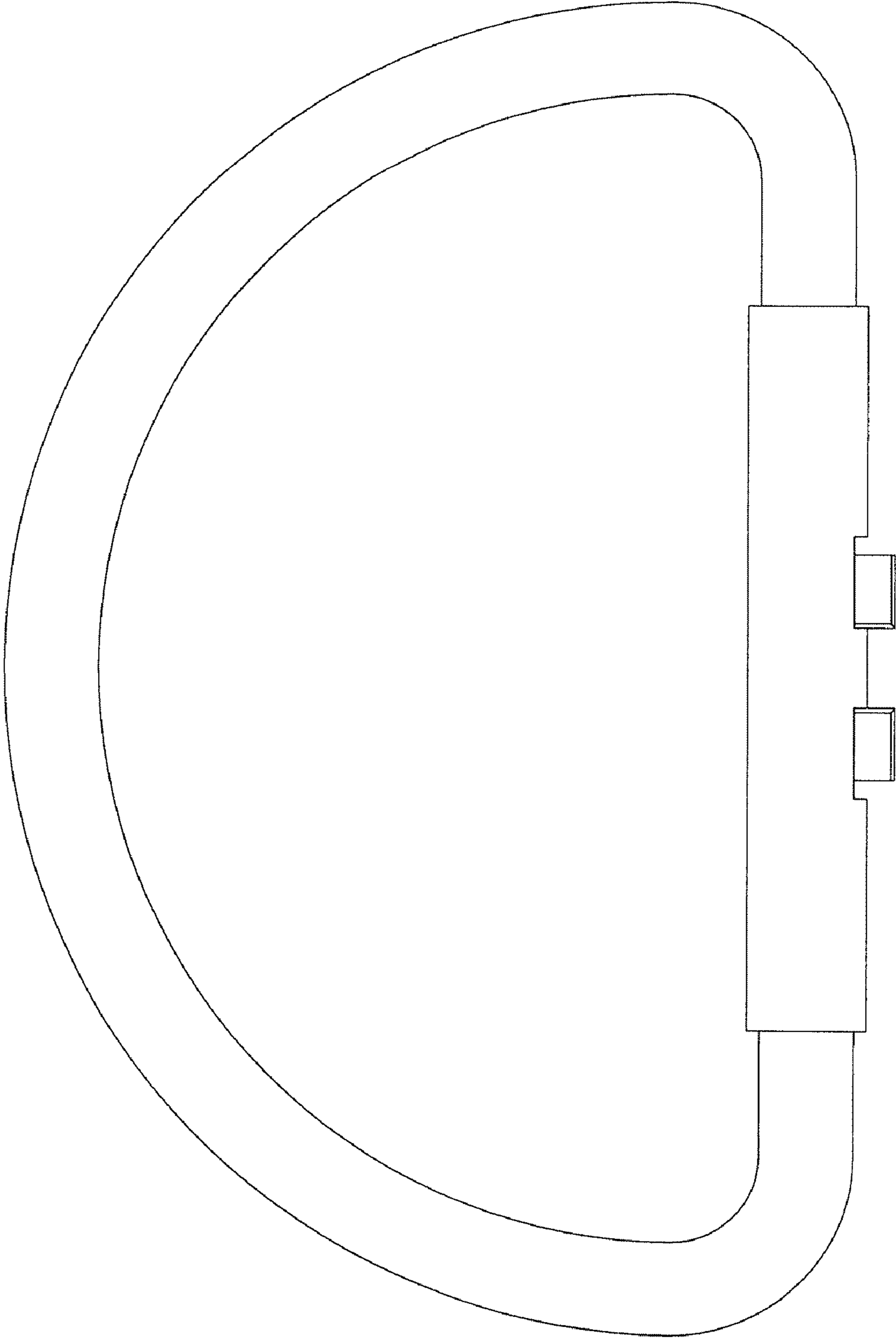


FIG. 2

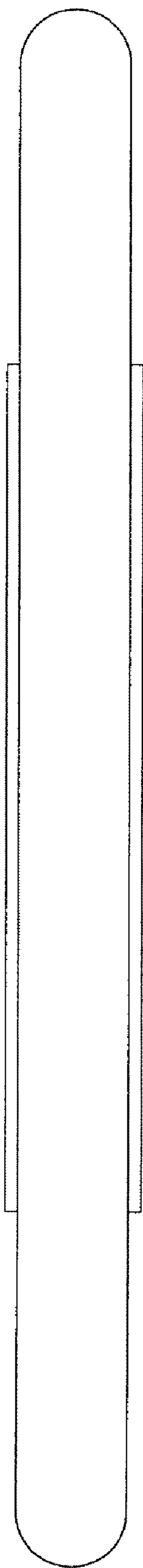


FIG. 3

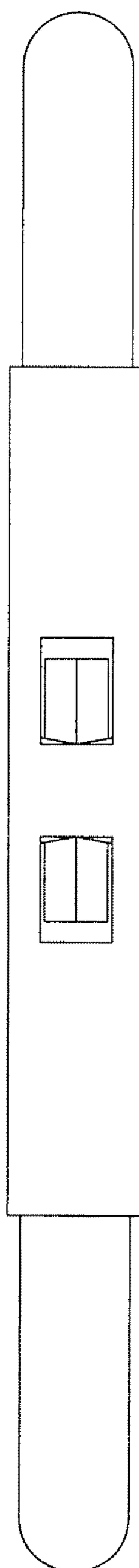


FIG. 4

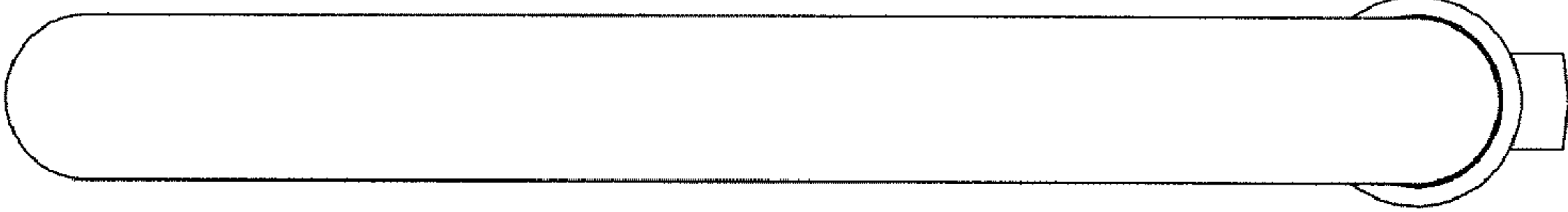


FIG. 6



FIG. 5

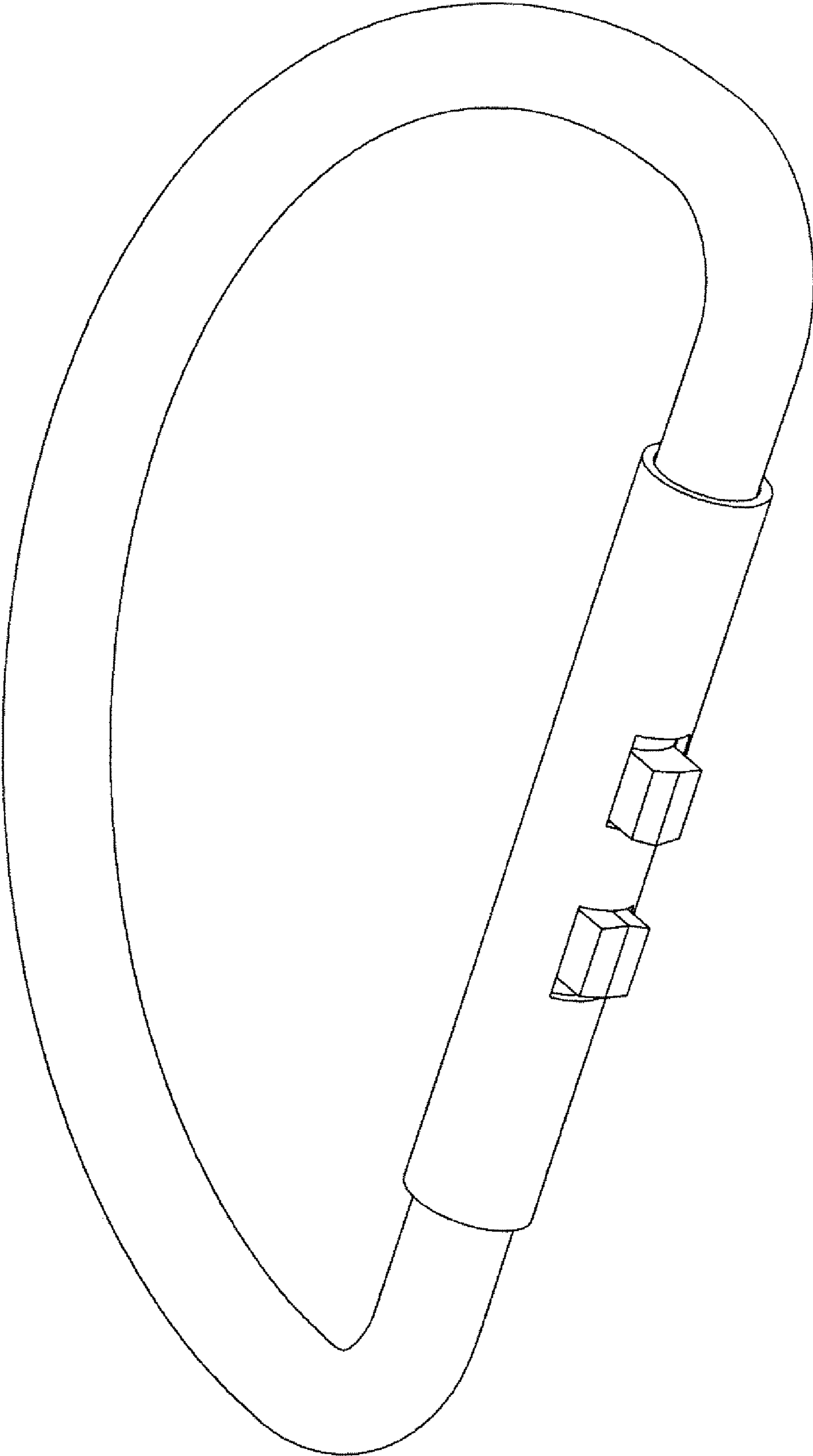


FIG. 7

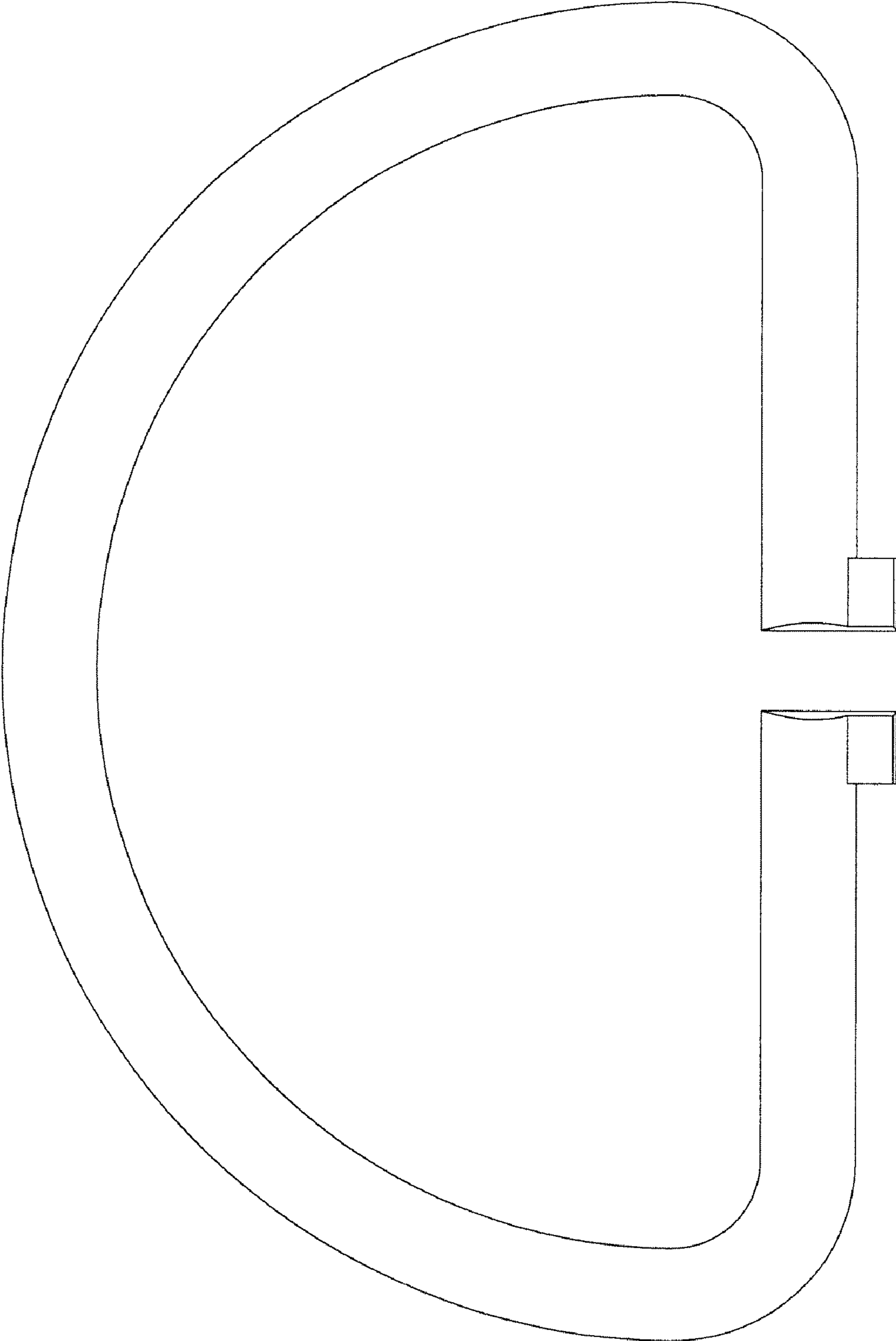


FIG. 8

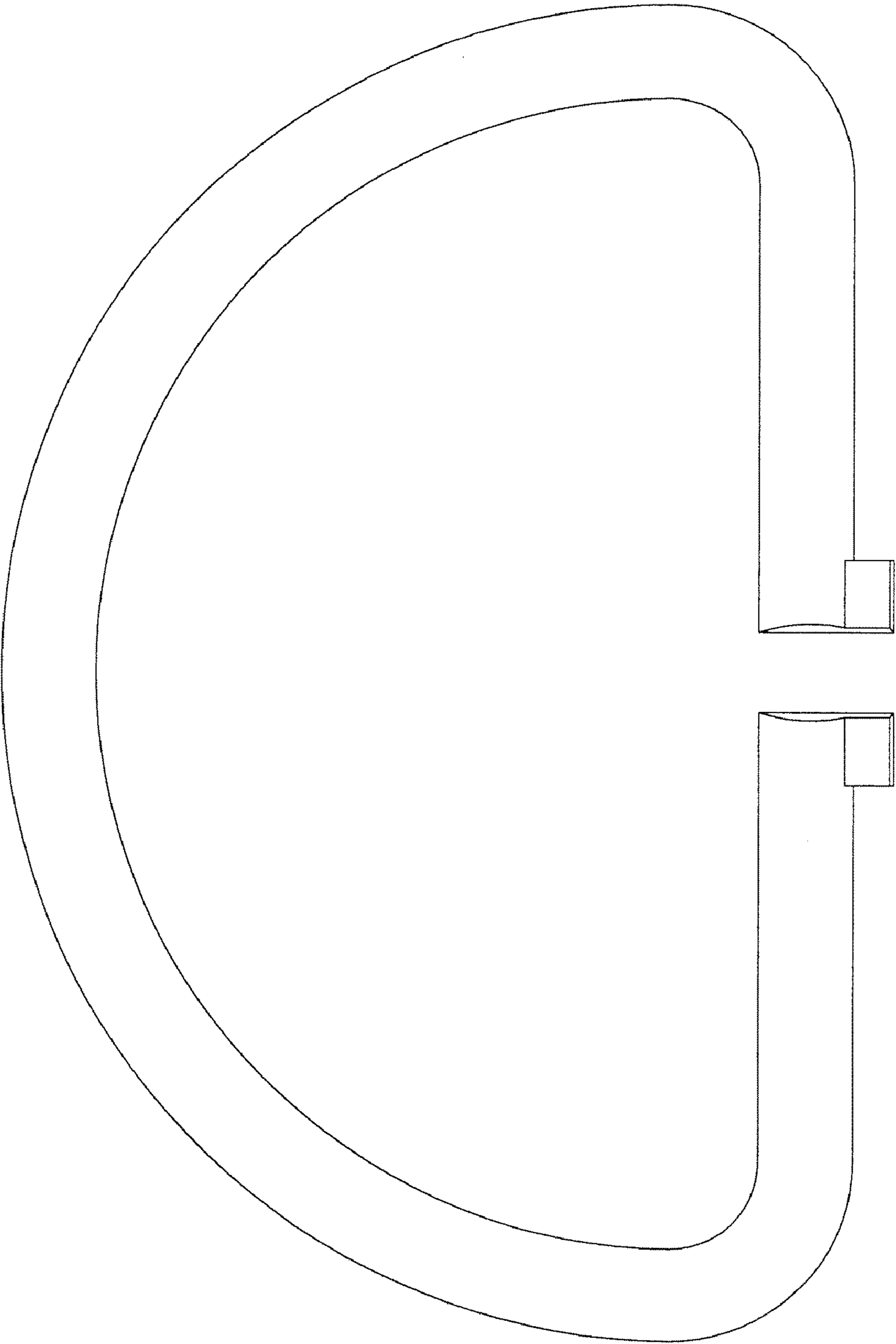


FIG. 9

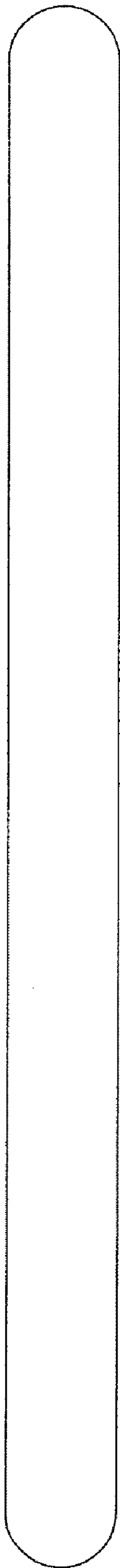


FIG. 10

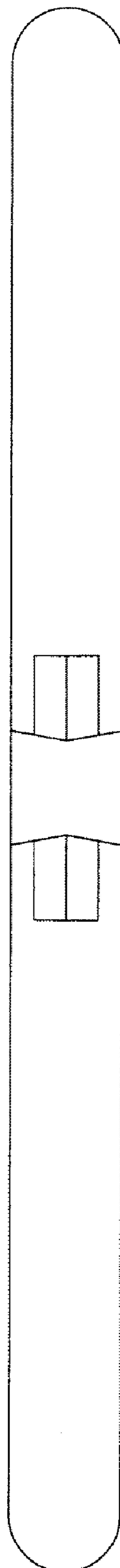


FIG. 11



FIG. 13



FIG. 12

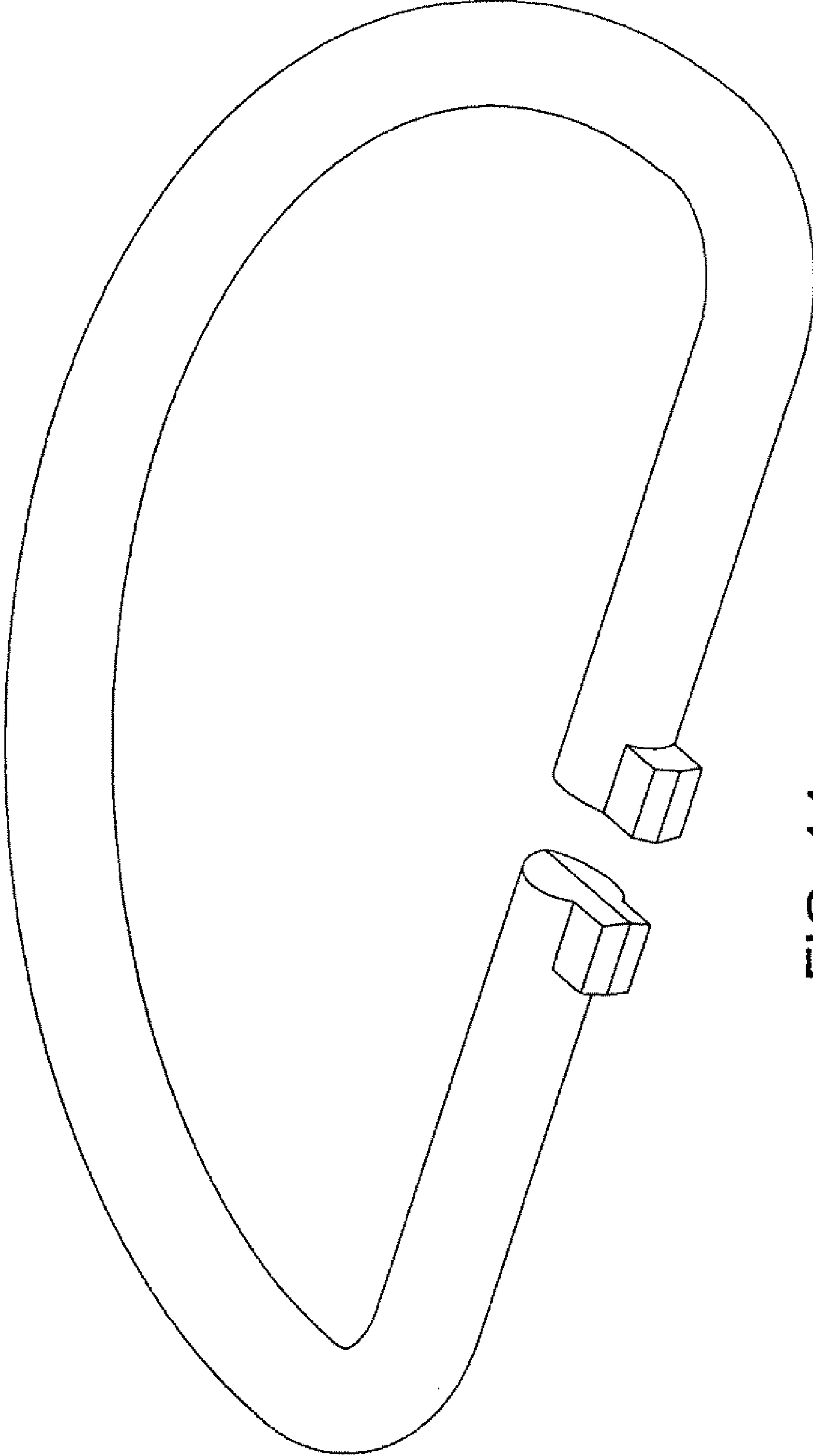


FIG. 14

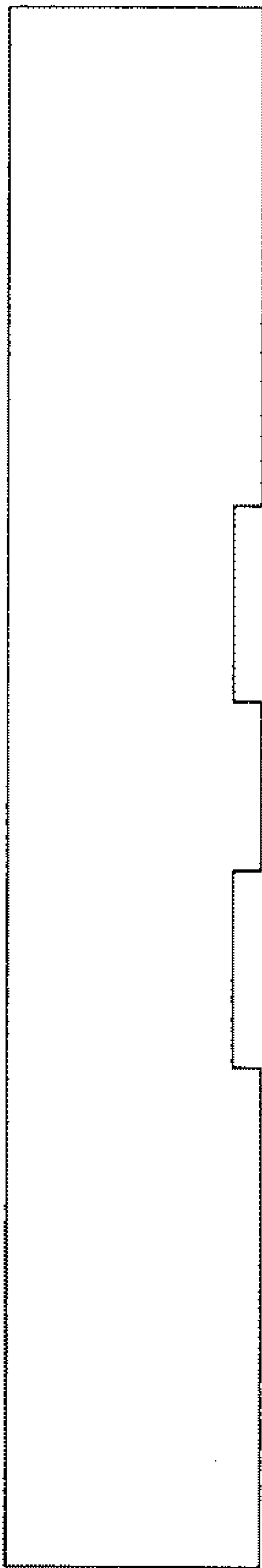


FIG. 15

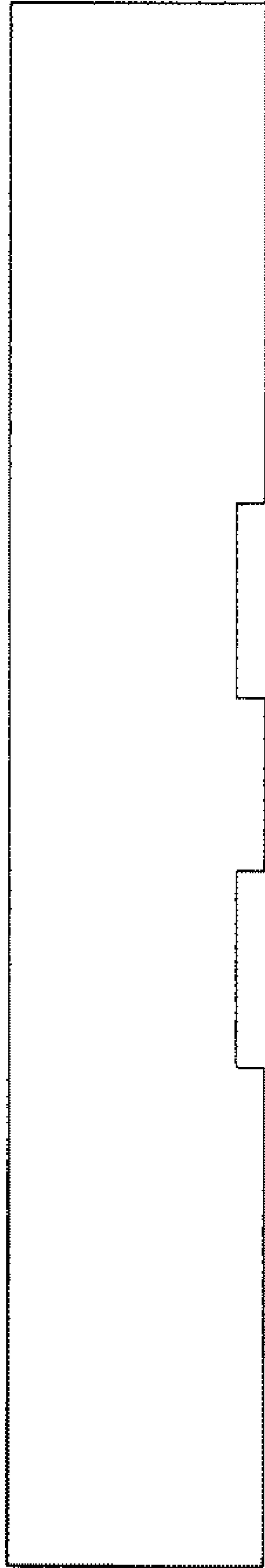


FIG. 16

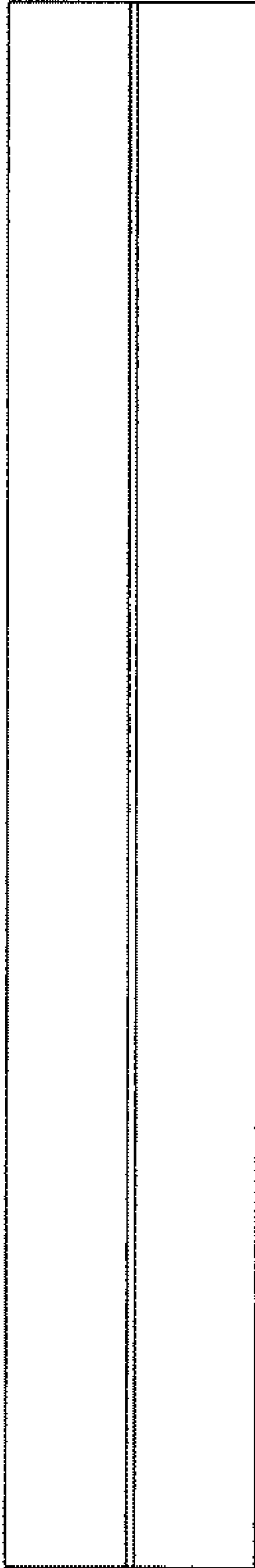


FIG. 17

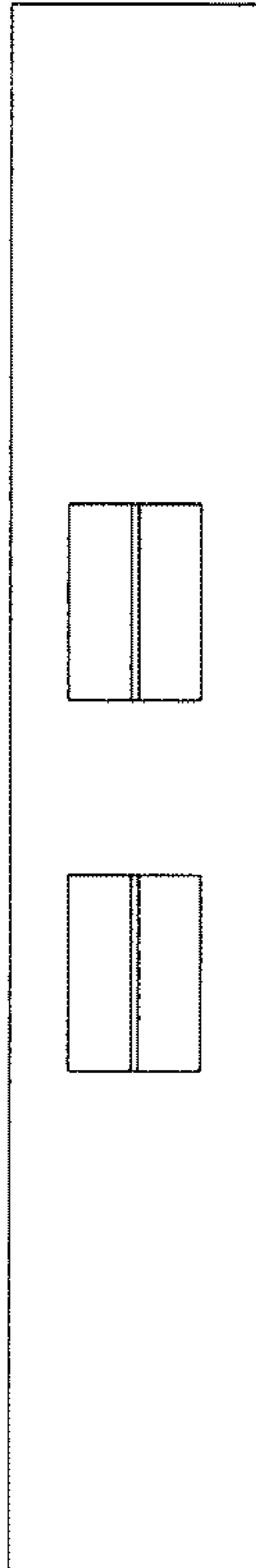


FIG. 18

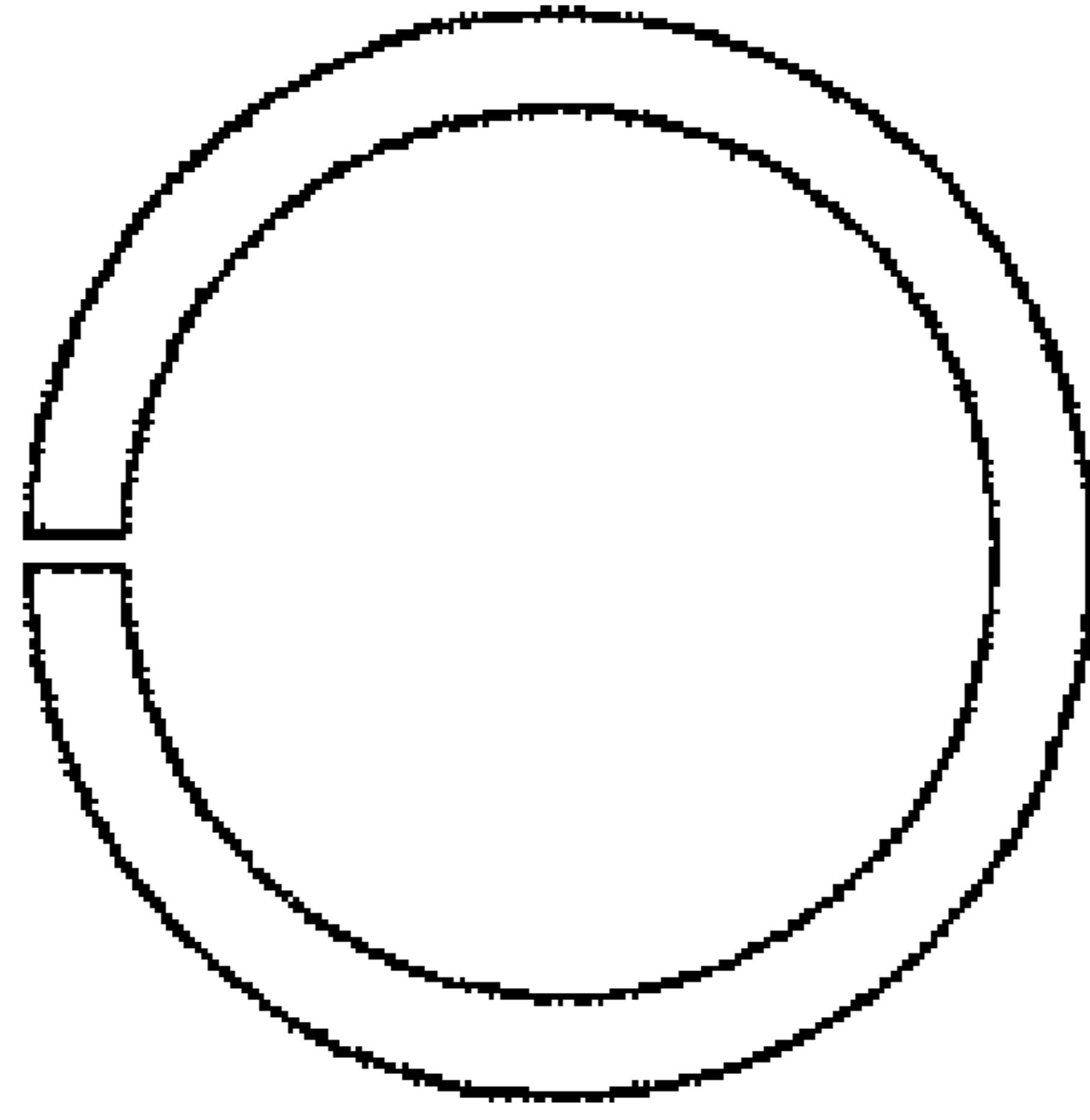


FIG. 19

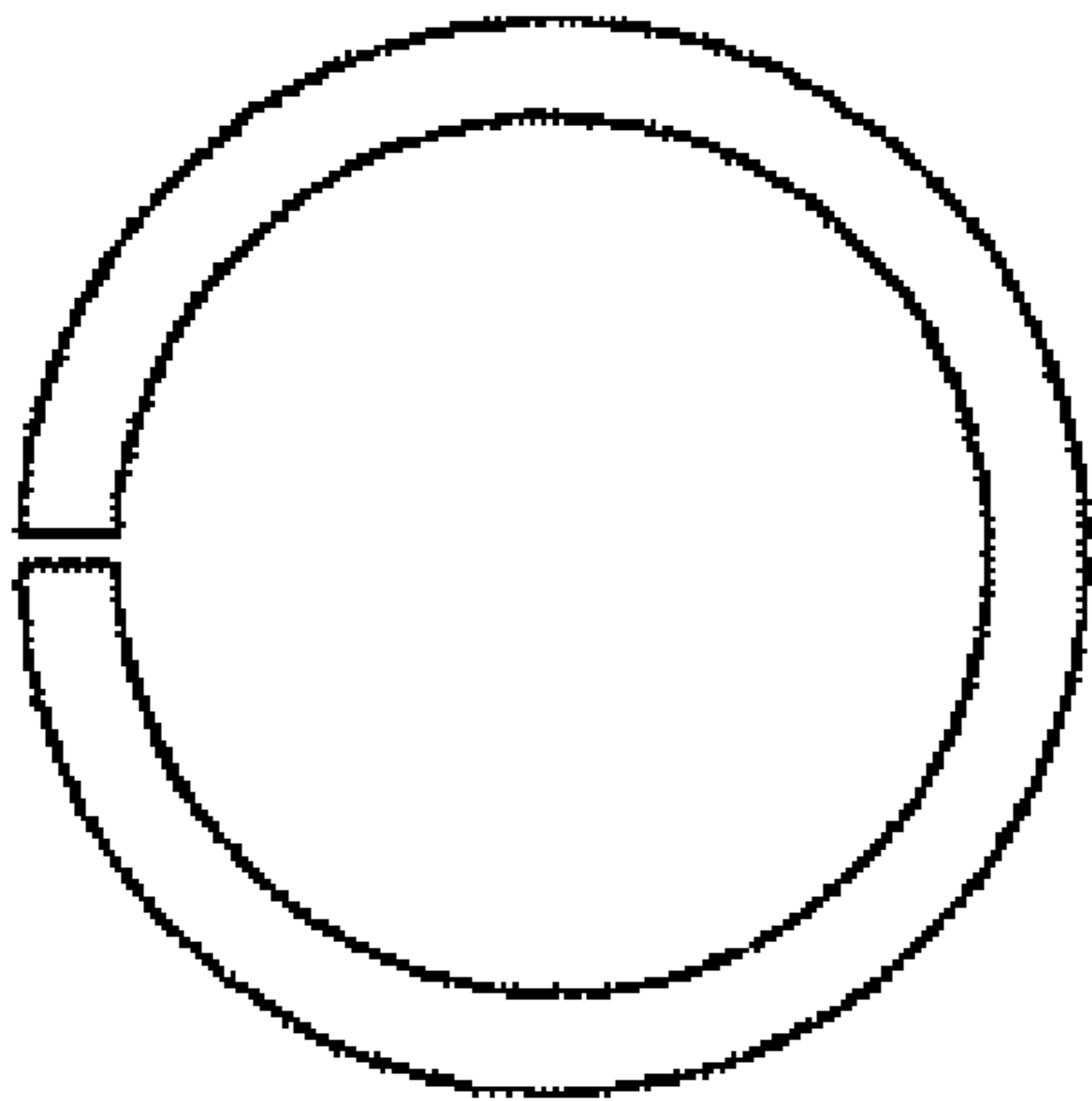


FIG. 20

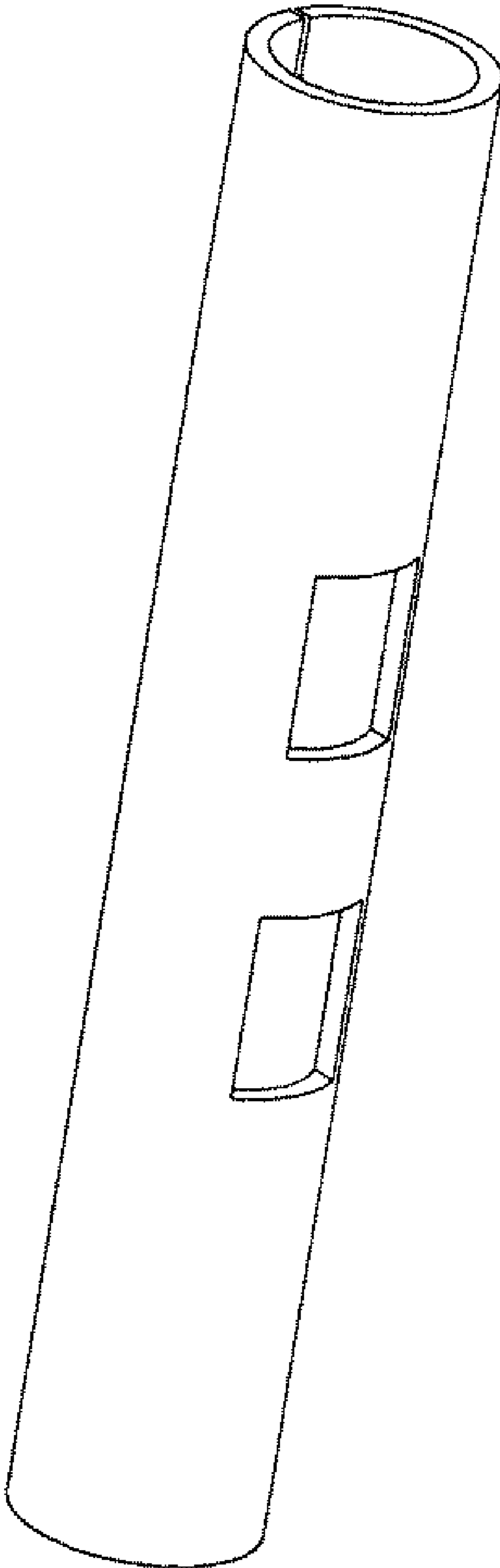


FIG. 21