



US00D626444S

(12) **United States Design Patent**  
**Solow**

(10) **Patent No.:** **US D626,444 S**  
(45) **Date of Patent:** **\*\* Nov. 2, 2010**

(54) **HORN TRIGGER**

(75) Inventor: **Stanley Solow**, Plainview, NY (US)

(73) Assignee: **Wolo Mfg. Corp.**, Deer Park, NY (US)

(\*\*) Term: **14 Years**

(21) Appl. No.: **29/342,068**

(22) Filed: **Aug. 18, 2009**

(51) **LOC (9) Cl.** ..... **10-05**

(52) **U.S. Cl.** ..... **D10/121**

(58) **Field of Classification Search** ..... D10/116-120;  
446/402, 204-206; 116/137 R

See application file for complete search history.

(56) **References Cited**

U.S. PATENT DOCUMENTS

3,785,335	A *	1/1974	Wagner	.....	116/112
4,970,983	A *	11/1990	LeBlanc et al.	.....	116/142 FP
D323,128	S *	1/1992	Moran	.....	D10/120
7,370,600	B2 *	5/2008	Tomassetti et al.	.....	116/3

\* cited by examiner

*Primary Examiner*—Caron Veynar  
*Assistant Examiner*—George D Kirschbaum  
(74) *Attorney, Agent, or Firm*—Lackenbach Siegel, LLP;  
Andrew F. Young

(57) **CLAIM**

The ornamental design for an horn trigger, as shown and described.

**DESCRIPTION**

FIG. 1 is a front perspective view of a horn trigger showing our new design.

FIG. 2 is a front elevational view thereof.

FIG. 3 is a rear elevational view thereof.

FIG. 4 is a top plan view thereof.

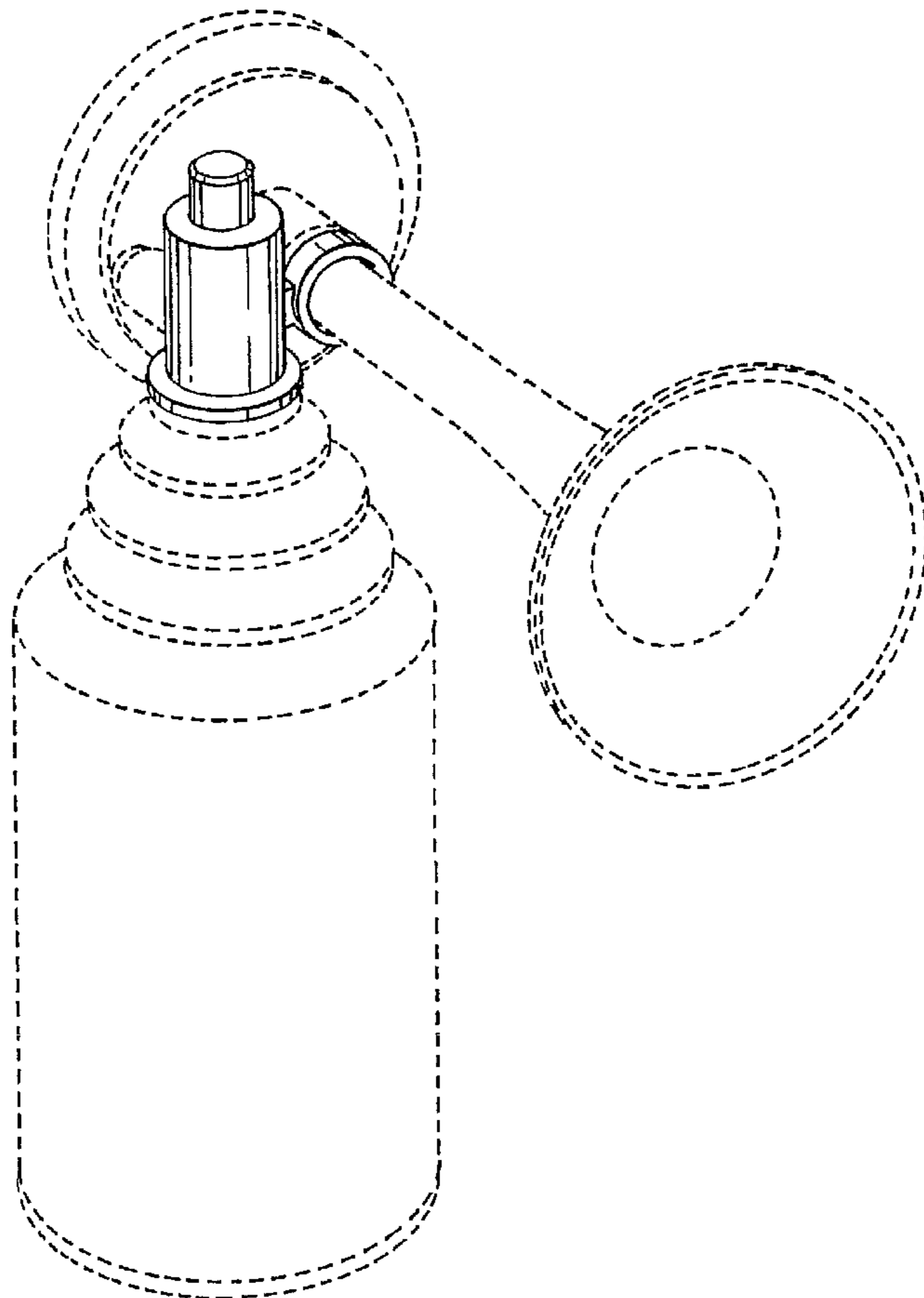
FIG. 5 is a left side elevational view thereof.

FIG. 6 is a bottom view thereof; and,

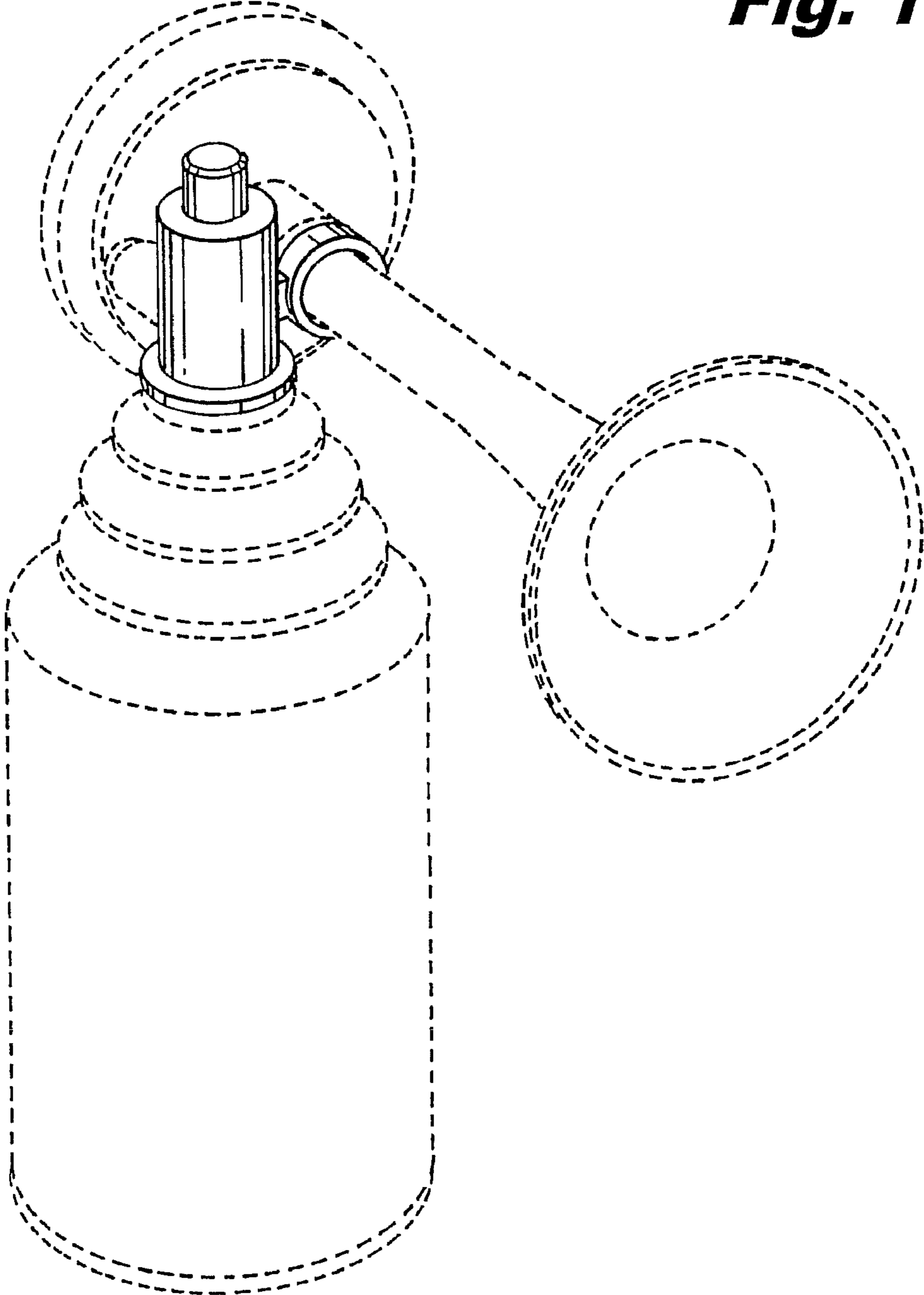
FIG. 7 is right side elevational view thereof.

In the drawings, the broken line showing of a horn and air bottle depicts environmental subject matter and forms no part of the claim.

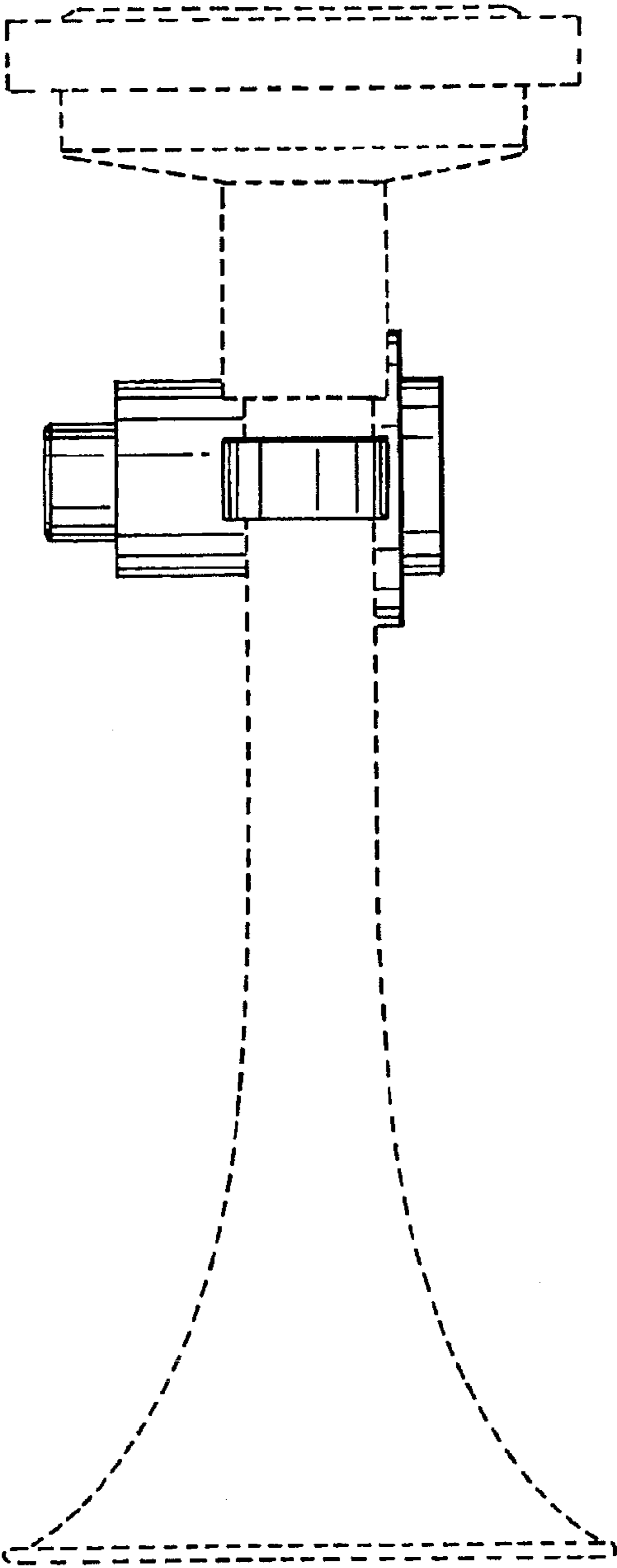
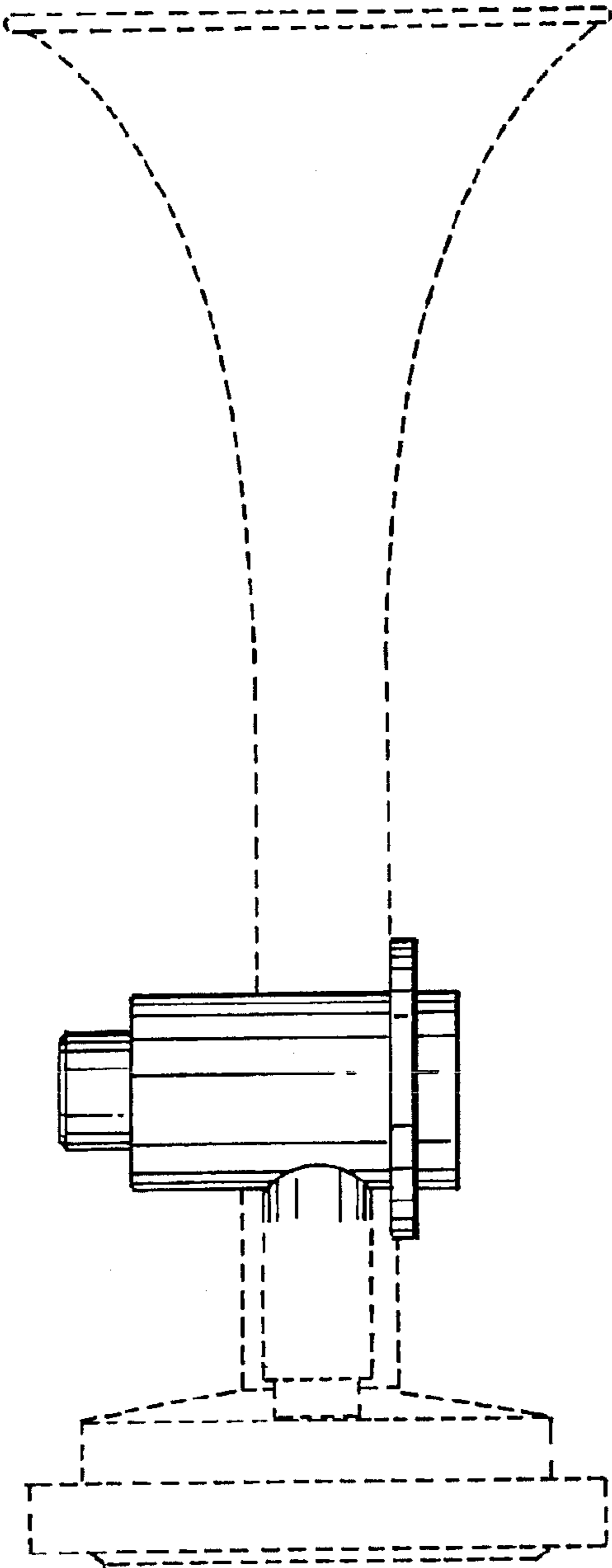
**1 Claim, 4 Drawing Sheets**



**Fig. 1**

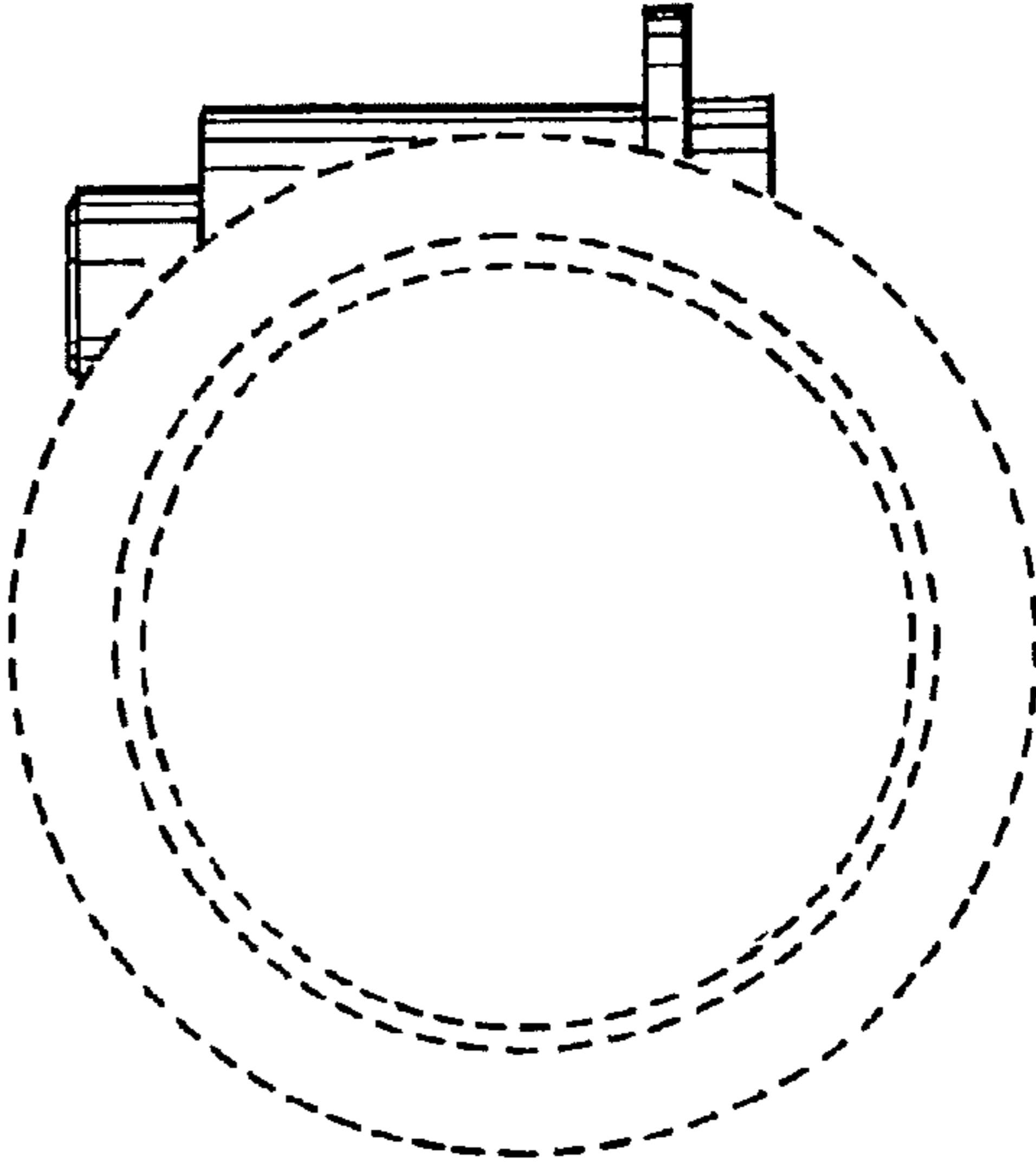
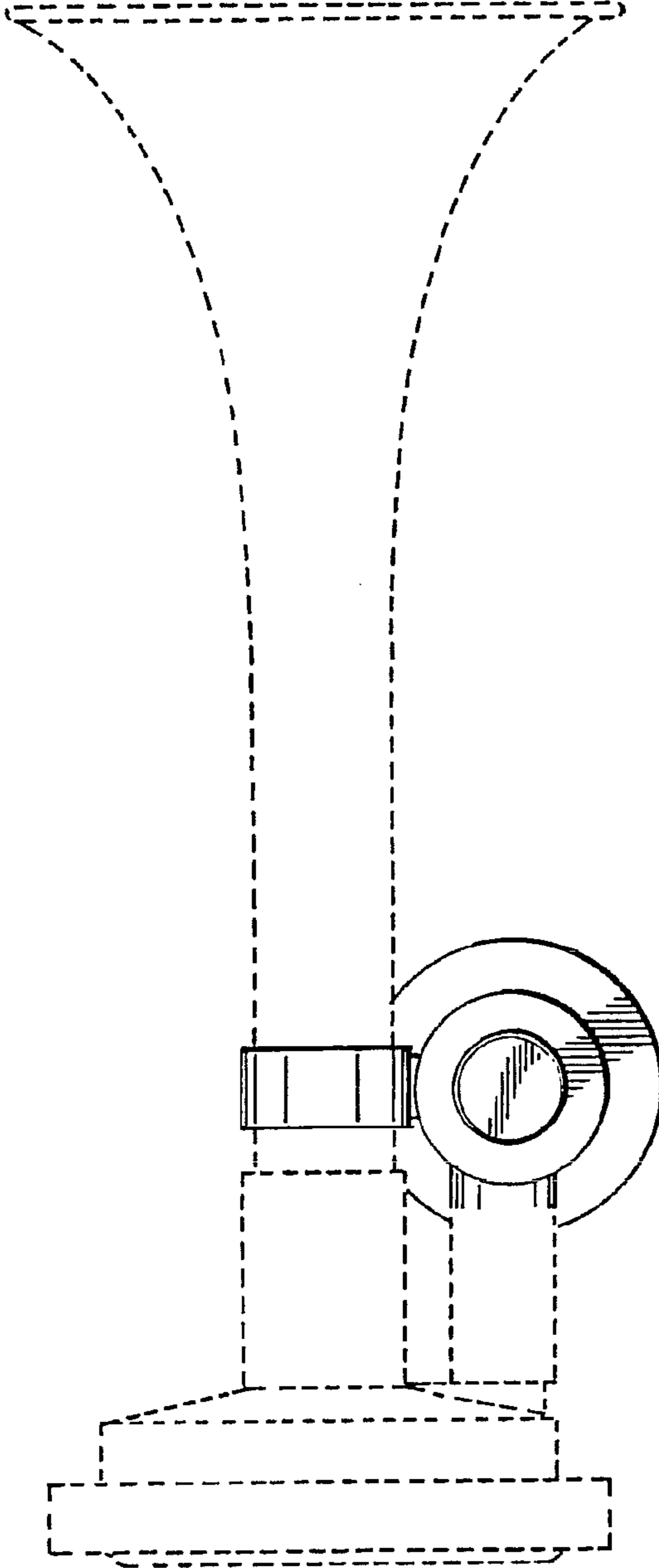


**Fig. 2**



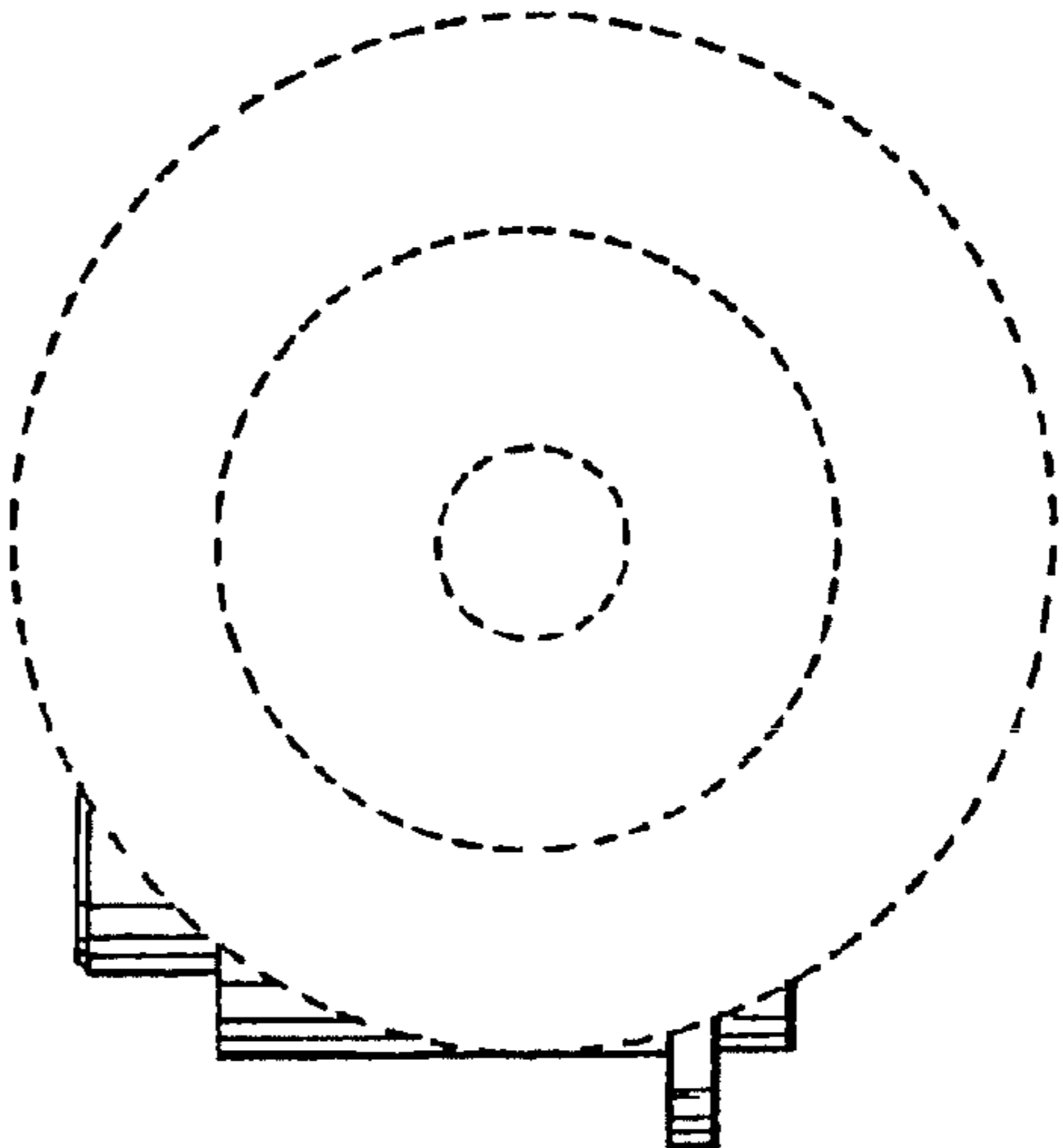
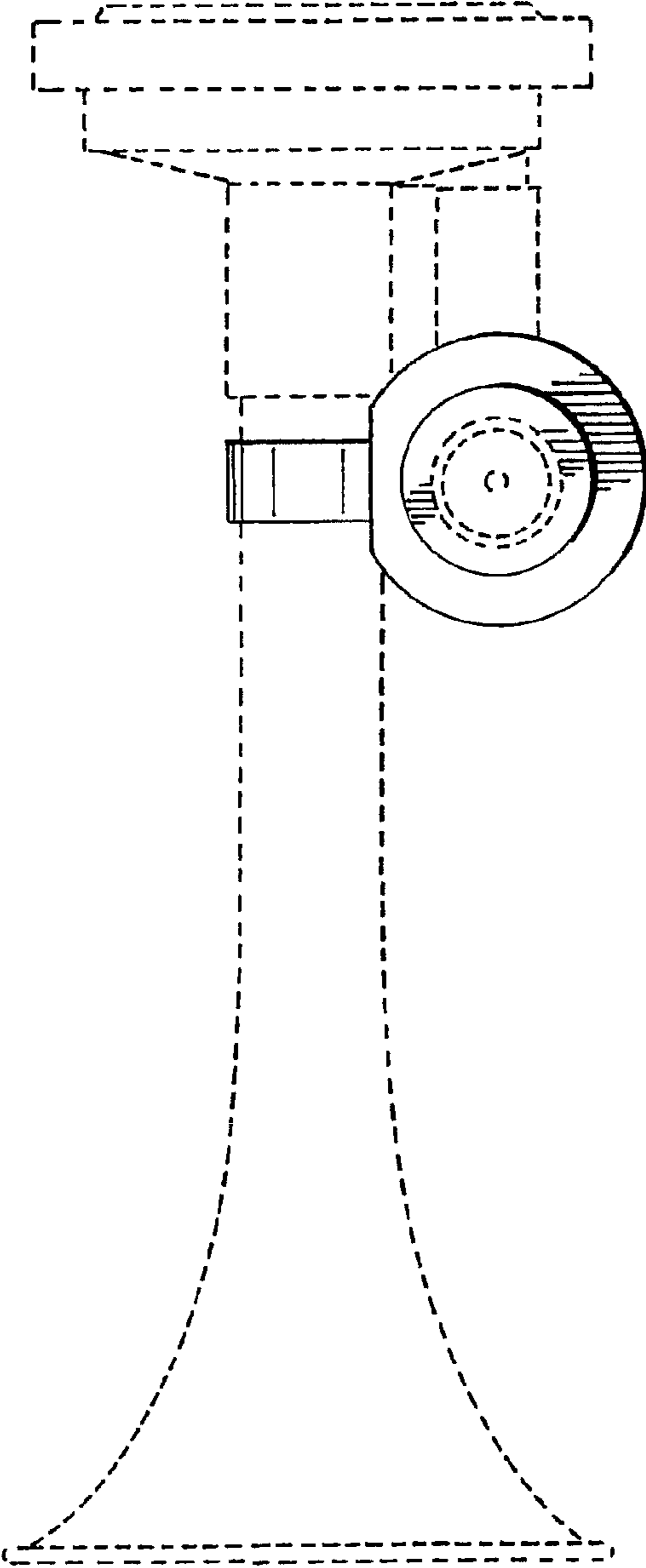
**Fig. 3**

**Fig. 4**



**Fig. 5**

**Fig. 6**



**Fig. 7**