



US00D626442S

(12) **United States Design Patent**  
**Jackson**

(10) **Patent No.:** **US D626,442 S**  
(45) **Date of Patent:** **\*\* Nov. 2, 2010**

(54) **ROTATABLE TRANSPONDERS HAVING A HOUSING WITH VISIBLE INDICIA**

(75) Inventor: **Stephen S. Jackson**, Chapel Hill, NC (US)

(73) Assignee: **RadarFind Corporation**, Morrisville, NC (US)

(\*\*) Term: **14 Years**

(21) Appl. No.: **29/366,250**

(22) Filed: **Jul. 22, 2010**

**Related U.S. Application Data**

(62) Division of application No. 29/359,568, filed on Apr. 13, 2010, which is a division of application No. 29/346,591, filed on Nov. 3, 2009, now Pat. No. Des. 616,777, which is a division of application No. 29/331,334, filed on Jan. 23, 2009, now Pat. No. Des. 605,965.

(51) **LOC (9) Cl.** ..... **10-05**

(52) **U.S. Cl.** ..... **D10/109**

(58) **Field of Classification Search** ..... D10/109,  
D10/111, 114, 104, 106, 113; D26/29-31,  
D26/60, 28; 362/359-368, 475-478, 485,  
362/487

See application file for complete search history.

(56) **References Cited**

**U.S. PATENT DOCUMENTS**

D191,681 S	10/1961	Chase	
3,325,930 A	6/1967	Braeutigam	
D228,571 S	10/1973	Burland	
D239,730 S	4/1976	Thomas	
D245,447 S	8/1977	Brudy et al.	
4,142,179 A	2/1979	Lowndes	
D286,988 S *	12/1986	Akiyama et al.	D10/114
D286,989 S *	12/1986	Akiyama et al.	D10/114
5,103,383 A *	4/1992	Mayhew	362/186
D326,237 S	5/1992	Gale et al.	
5,132,659 A	7/1992	Kuo	
D402,577 S	12/1998	Payne et al.	
6,525,668 B1	2/2003	Petrick	
D513,477 S	1/2006	Heftman	
6,991,351 B1 *	1/2006	Petrick	362/373

7,079,041 B2	7/2006	Fredericks et al.	
D544,805 S	6/2007	Corrigan et al.	
D570,722 S	6/2008	Taylor	
D584,181 S	1/2009	Poon	
D598,316 S	8/2009	Kuwano	
D598,799 S	8/2009	Shigematsu	
D612,760 S	3/2010	Chen et al.	
2002/0122309 A1 *	9/2002	Abdelhafez et al.	362/294
2006/0132323 A1	6/2006	Grady	

\* cited by examiner

*Primary Examiner*—Caron Veynar

*Assistant Examiner*—George D Kirschbaum

(74) *Attorney, Agent, or Firm*—Myers Bigel Sibley & Sajovec

(57) **CLAIM**

The ornamental design for a rotatable transponders having a housing with visible indicia, as shown and described.

**DESCRIPTION**

FIG. 1 is a front perspective view of the rotatable transponder showing my design;

FIG. 2 is a first side view thereof;

FIG. 3 is a second side view thereof;

FIG. 4 is a third side view thereof;

FIG. 5 is an opposing side view of the side shown in FIG. 3;

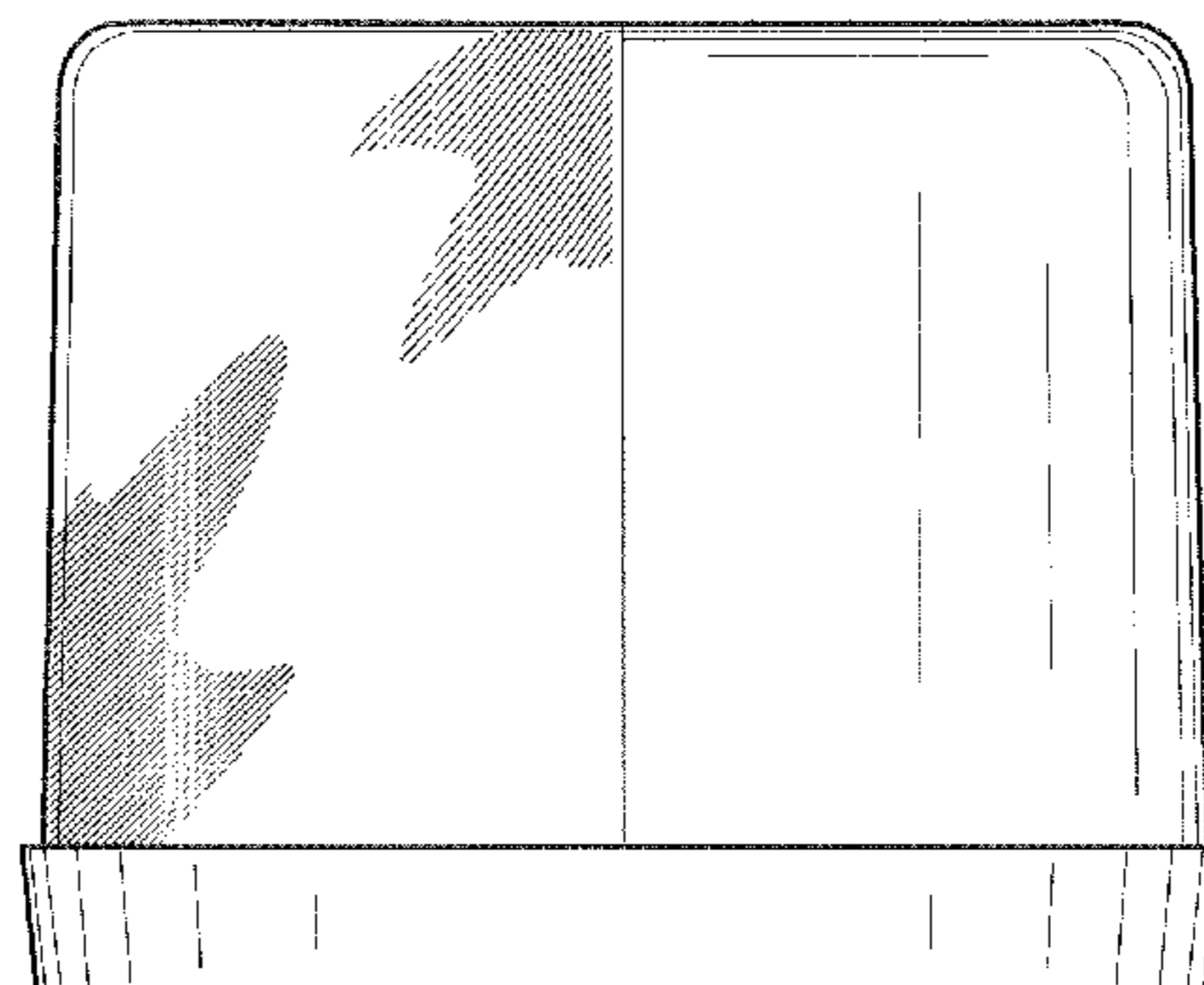
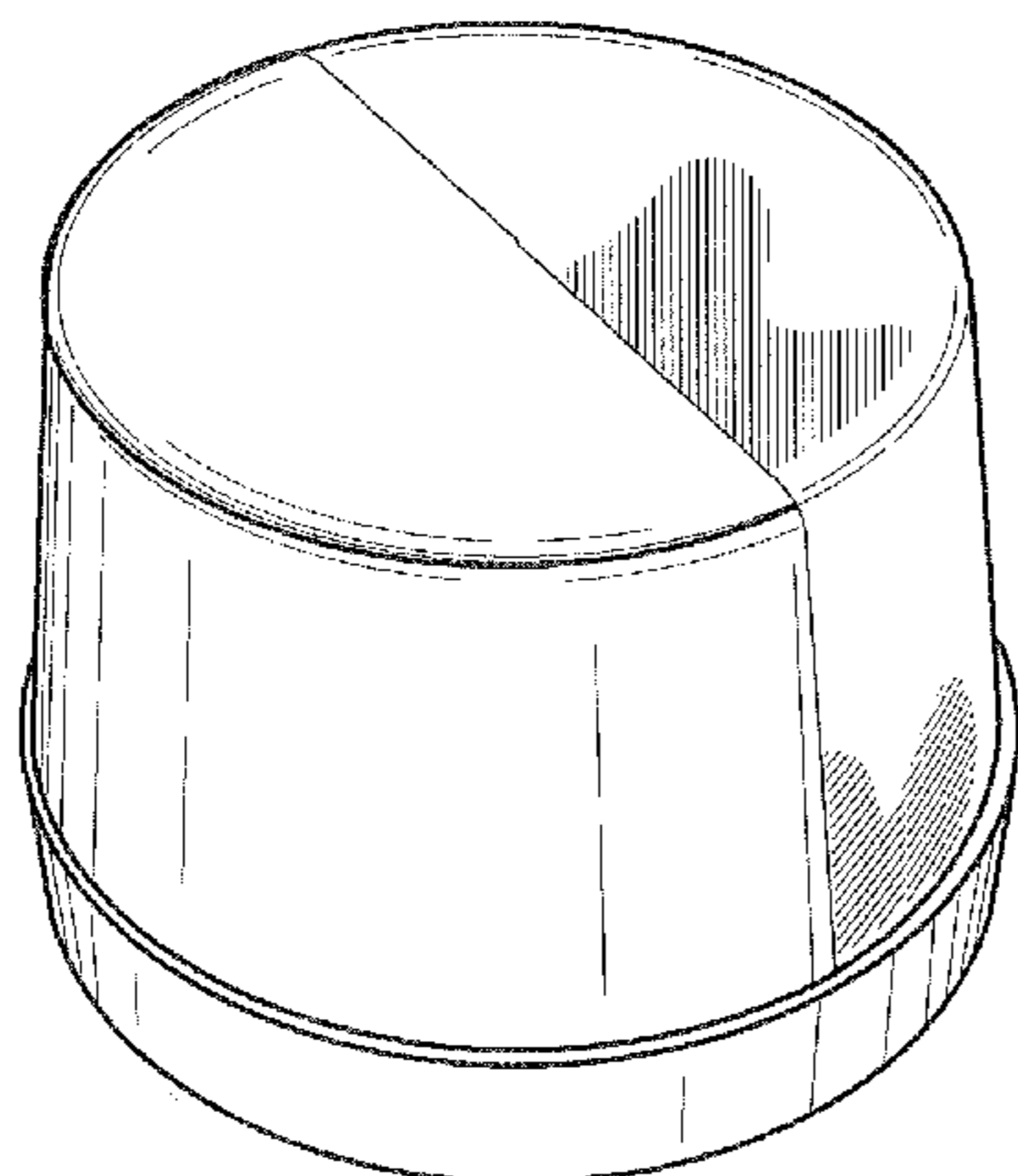
FIG. 6 is a top end view thereof;

FIG. 7 is a bottom end view thereof; and,

FIG. 8 is a front perspective environmental view thereof illustrating rotatable transponders in an exemplary clinical use environment.

In the drawings, the broken line showing of a clinical setting depicts environmental subject matter and forms no part of the claim. The environmental views illustrate the rotatable transponder having a housing with visible indicia affixed to devices in a clinical environment. The diagonal shading indicates a visually translucent or transparent surface. The different stippling patterns indicate different contrasting colors, which are visible via the transparent and/or translucent areas.

**1 Claim, 4 Drawing Sheets**



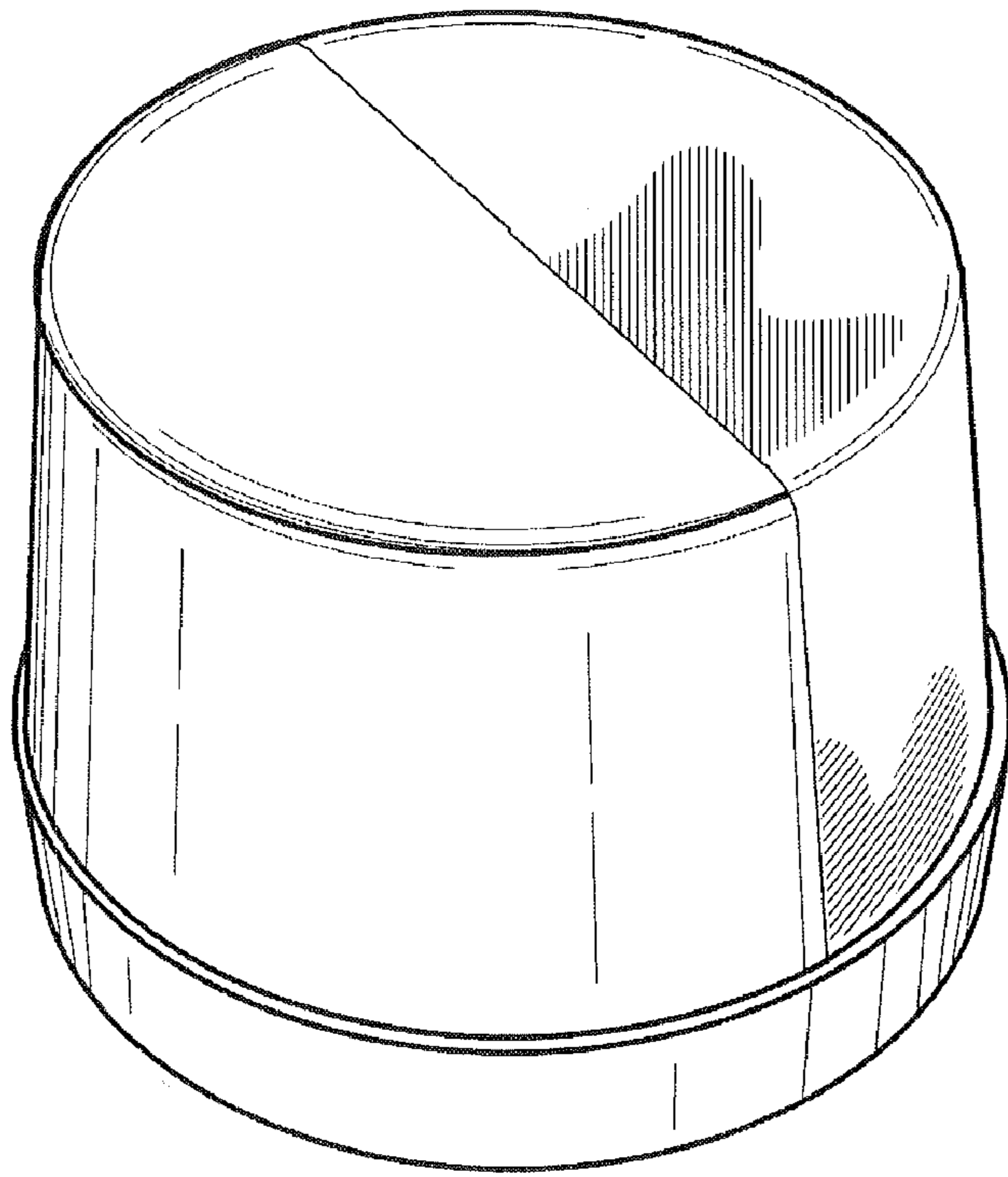


FIG. 1

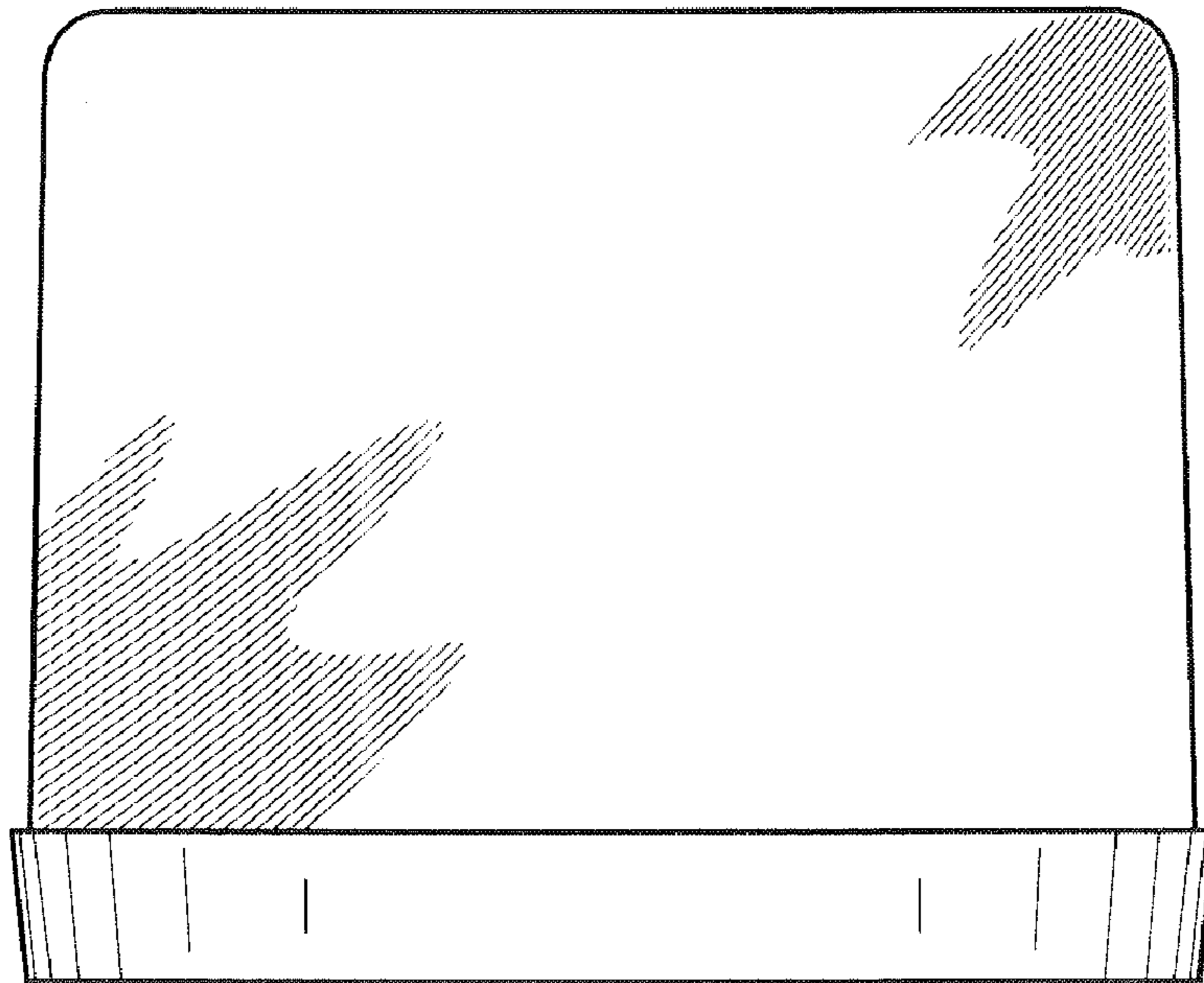


FIG. 2

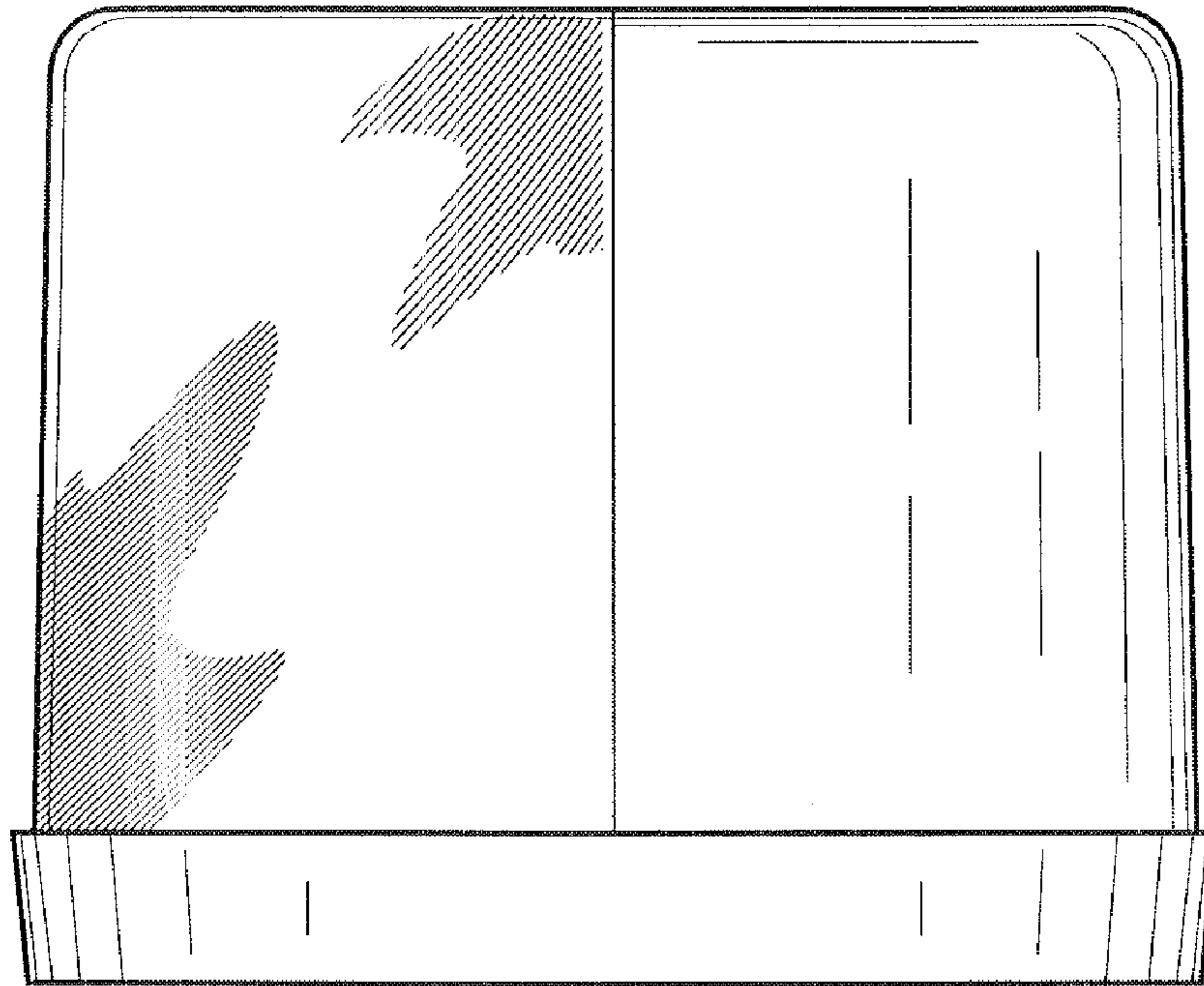


FIG. 3

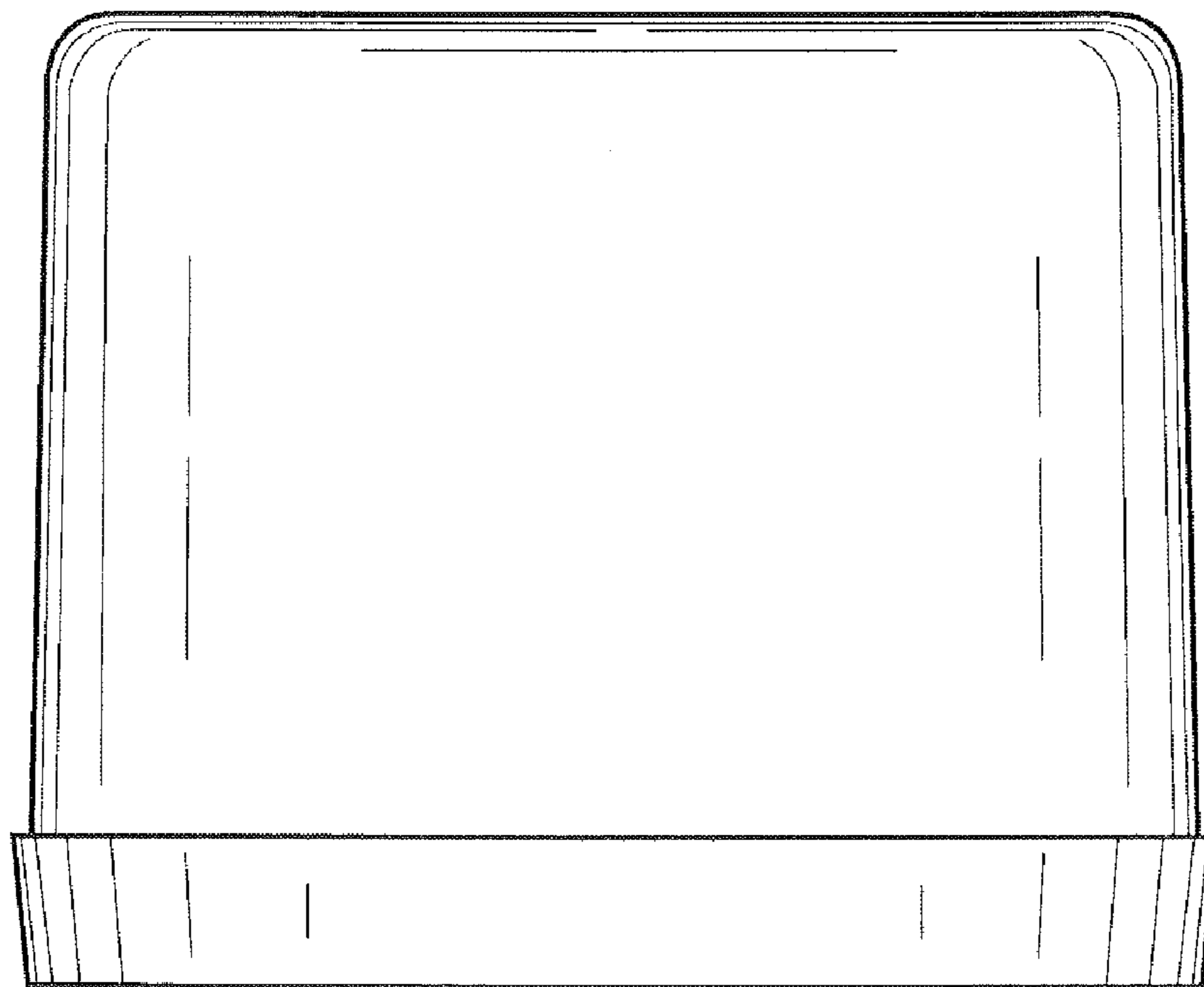


FIG. 4

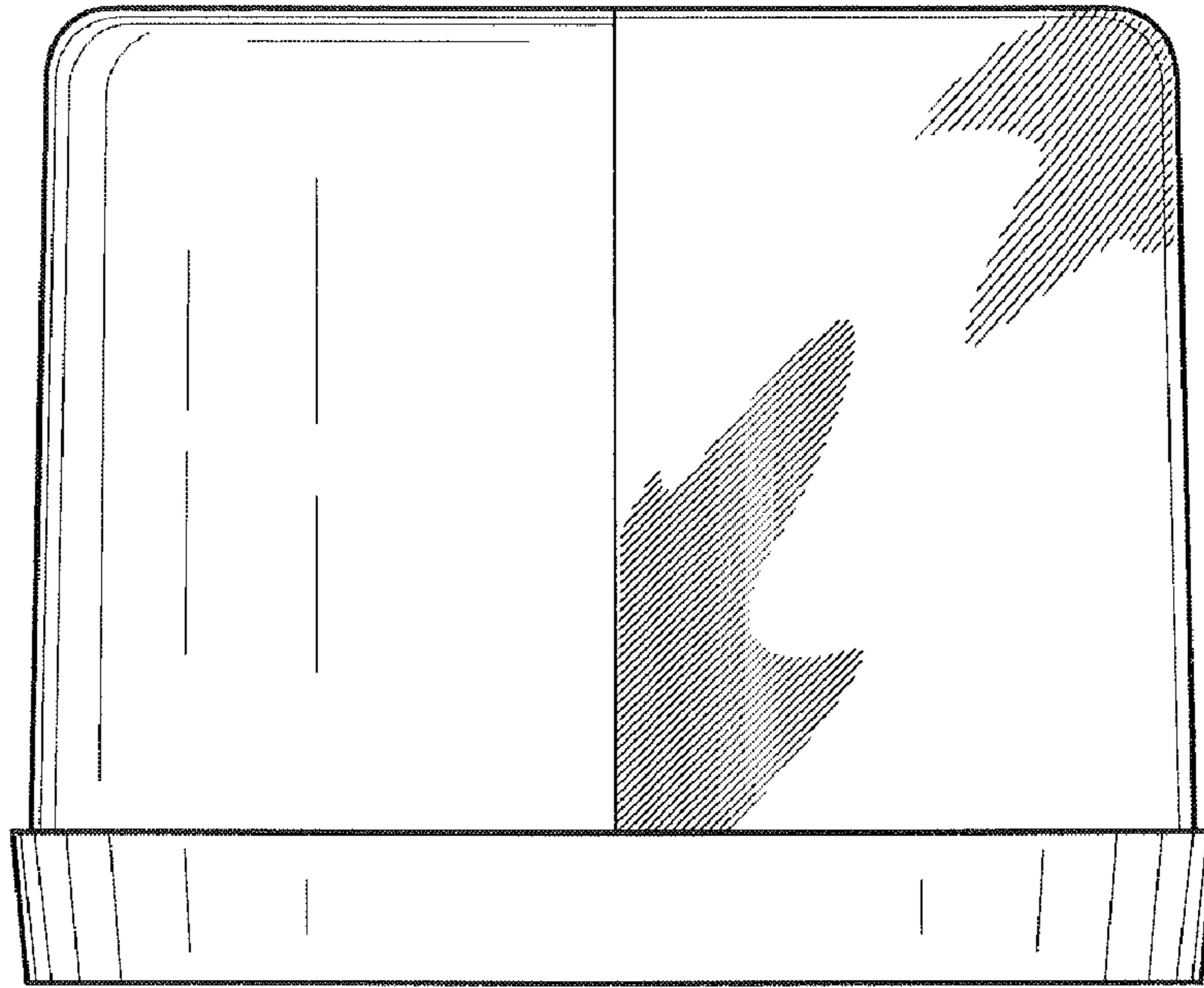


FIG. 5

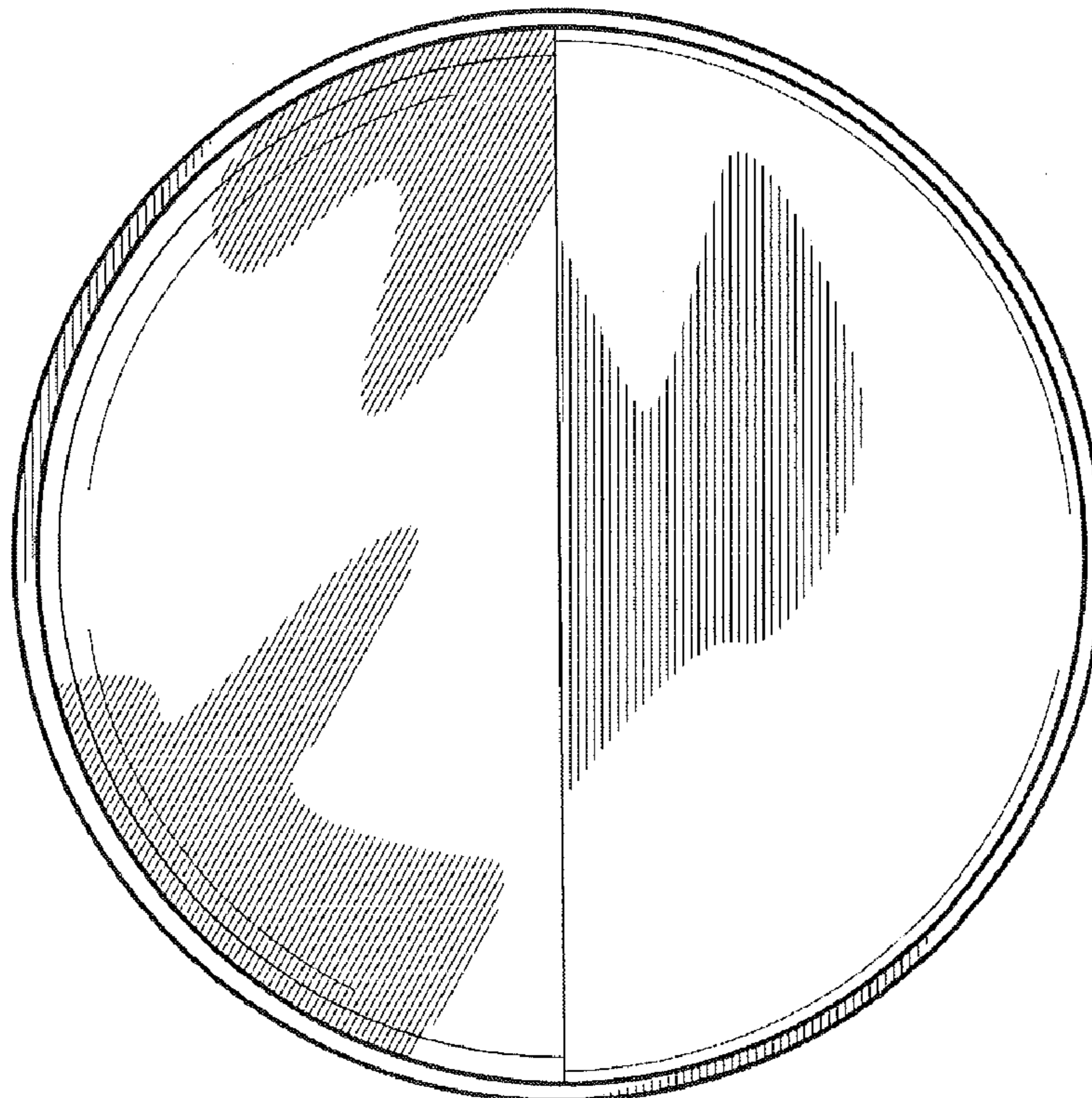


FIG. 6

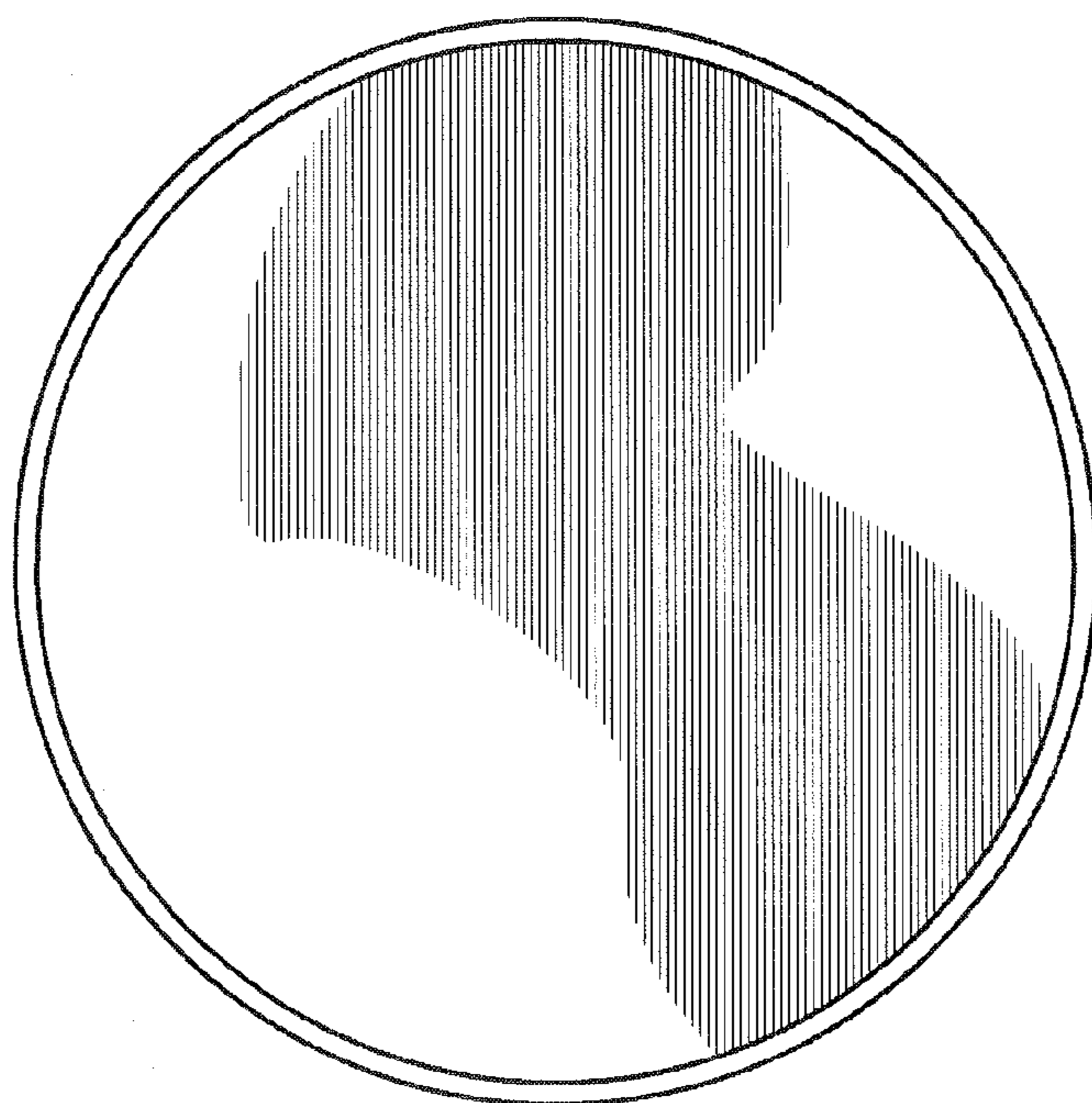


FIG. 7

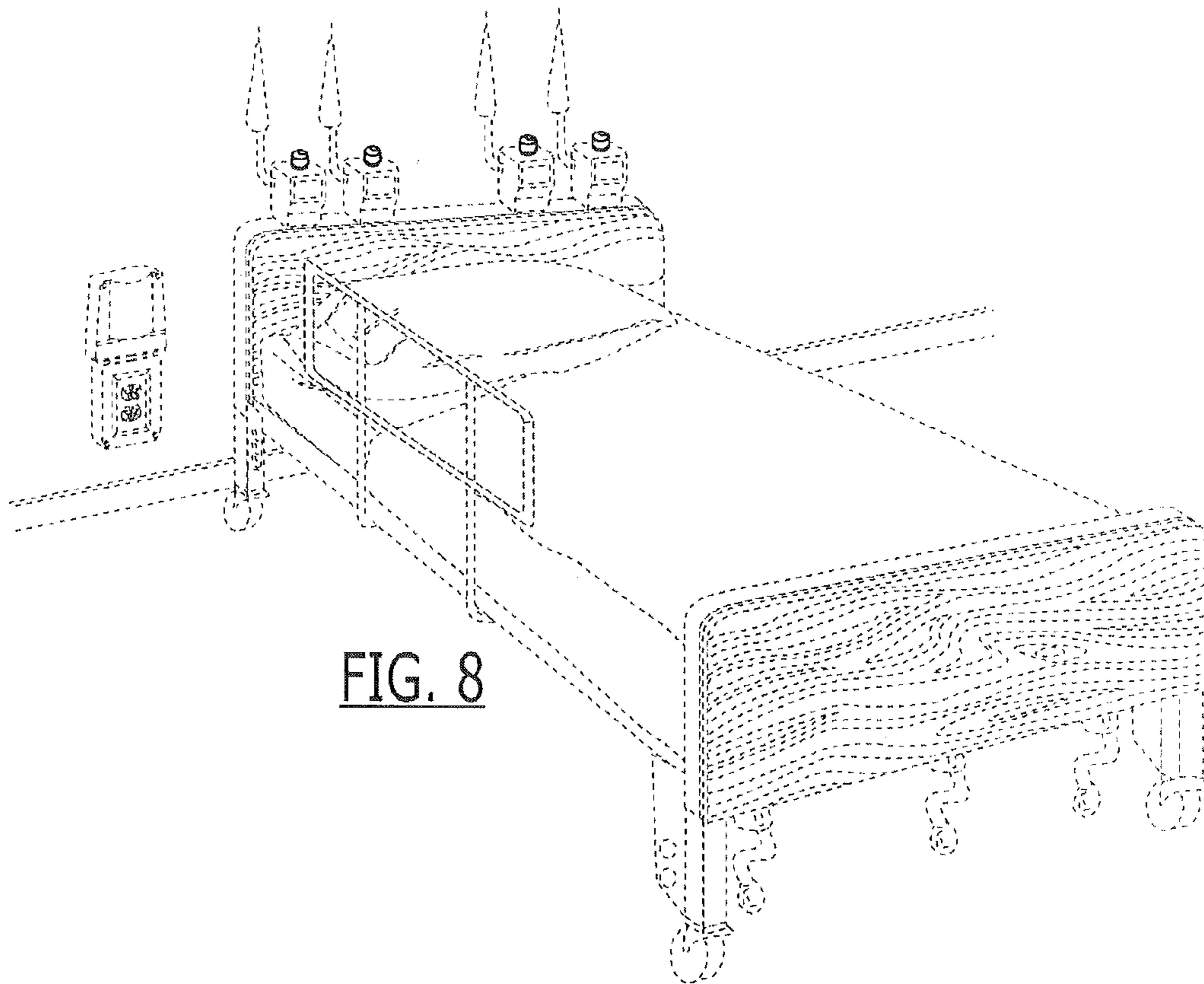


FIG. 8

UNITED STATES PATENT AND TRADEMARK OFFICE  
**CERTIFICATE OF CORRECTION**

PATENT NO. : D626,442 S  
APPLICATION NO. : 29/366250  
DATED : November 2, 2010  
INVENTOR(S) : Jackson

Page 1 of 1

It is certified that error appears in the above-identified patent and that said Letters Patent is hereby corrected as shown below:

On the Face:

Item (62) Related U.S. Application Data: Please correct "Des. 616,777"  
to read -- D616,777 --  
and correct "Des. 605,965"  
to read -- D605,965 --

Item (57) Claim: Please correct "design for a rotatable" to read -- design for rotatable --

Description, Figure 7: Please correct "thereof; and," to read -- thereof; --

Signed and Sealed this  
Tenth Day of May, 2011



David J. Kappos  
*Director of the United States Patent and Trademark Office*