



US00D626439S

(12) **United States Design Patent**
Lee et al.

(10) **Patent No.:** **US D626,439 S**
(45) **Date of Patent:** **** Nov. 2, 2010**

(54) **MOUNT FOR A NAVIGATION DEVICE**

D589,386 S * 3/2009 Gretton D10/74
D592,084 S 5/2009 Stevens et al. D10/65

(75) Inventors: **Juhee Lee**, Olathe, KS (US); **Warren R. Stevens**, Prairie Village, KS (US); **Brian F. Ruff**, Olathe, KS (US)

OTHER PUBLICATIONS

U.S. Appl. No. 29/302,795, filed Jan. 24, 2008.
U.S. Appl. No. 29/334,957, filed Apr. 6, 2009.
Garmin 2xxW Mount, published 2008.
Garmin 7xx Mount, published 2008.
Garmin 1690 Mount, published 2008.

(73) Assignee: **Garmin Switzerland GmbH** (CH)

* cited by examiner

(**) Term: **14 Years**

Primary Examiner—Antoine D Davis

(21) Appl. No.: **29/356,210**

(74) *Attorney, Agent, or Firm*—Samuel M. Korte

(22) Filed: **Feb. 22, 2010**

(51) **LOC (9) Cl.** **10-04**

(57) **CLAIM**

(52) **U.S. Cl.** **D10/74**

The ornamental design for a mount for a navigation device, as shown and described.

(58) **Field of Classification Search** D8/349;
D10/74; D14/347; 73/178 R; 248/346.01,
248/671, 904, 314, 309.1, 689, 670, 122.1,
248/125.1, 128, 130, 133, 139, 176.1, 313;
340/995; 342/351, 419, 457, 357.06–357.13;
343/702; 345/87, 104, 133, 156, 168, 173,
345/901–905; 348/180, 184, 315, 739; 364/200,
364/434, 443, 444, 449, 451, 708.1, 709.1;
701/206–209, 213–214; 206/305, 701, 335;
220/810–817; 224/400, 483, 282, 428–462
See application file for complete search history.

DESCRIPTION

FIG. 1 is a front perspective view of a mount for a navigation device according to embodiments of the present invention;
FIG. 2 is a rear perspective view thereof;
FIG. 3 is a top view thereof;
FIG. 4 is a front view thereof;
FIG. 5 is a rear view thereof;
FIG. 6 is a bottom view thereof;
FIG. 7 is a left side view thereof; and,
FIG. 8 is a right side view thereof.

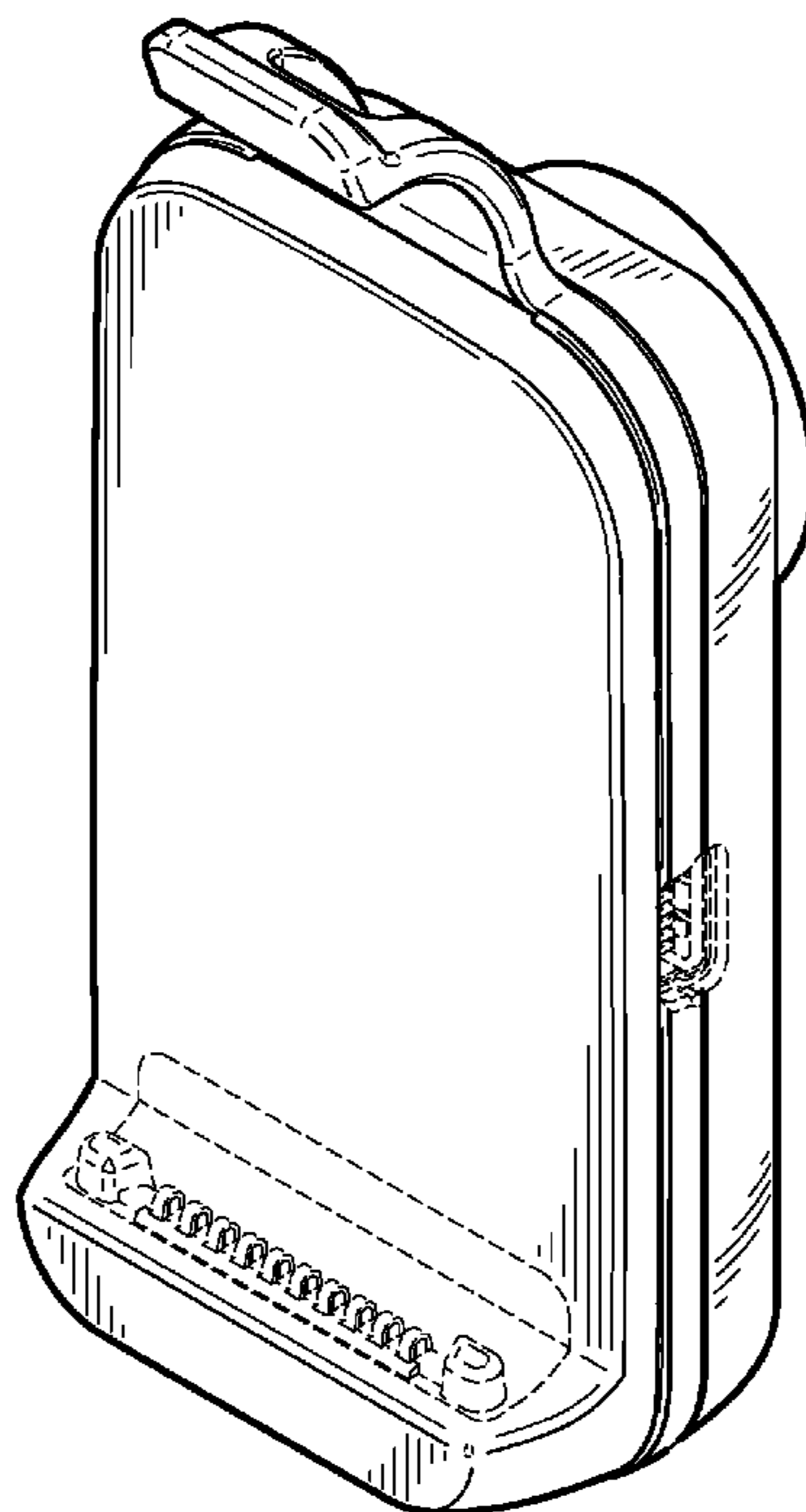
(56) **References Cited**

U.S. PATENT DOCUMENTS

D315,093 S * 3/1991 Hanna D8/380
6,322,030 B1 * 11/2001 Marra 248/284.1
D560,523 S * 1/2008 Nakamura D10/74
D565,980 S * 4/2008 Reeson et al. D10/74
D580,804 S * 11/2008 Gretton D10/74

Portions of FIGS. 1 through 8 are shown in dashed lines for illustrative purposes only and form no part of the claimed design.

1 Claim, 4 Drawing Sheets



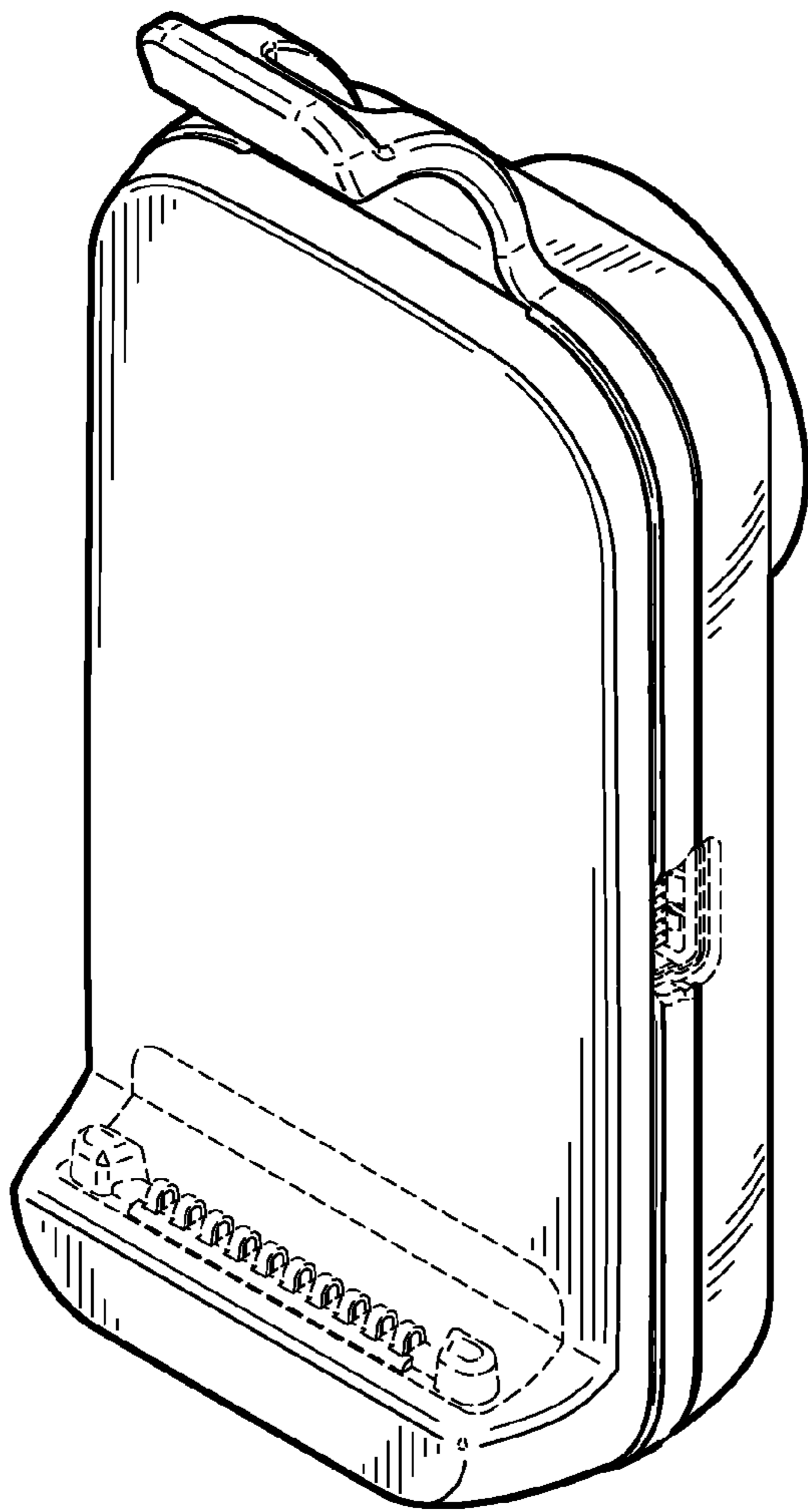


Fig. 1

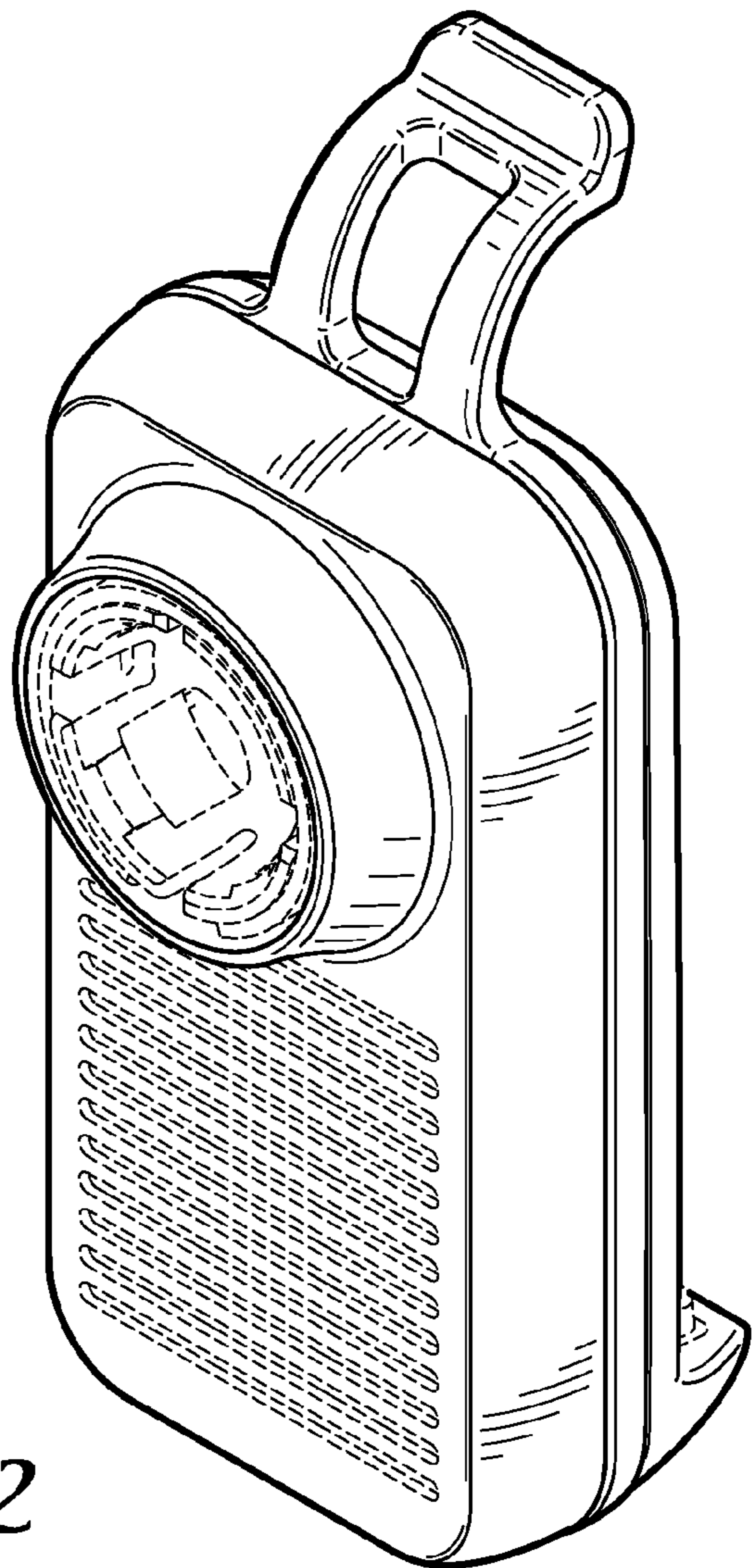


Fig. 2

Fig. 3

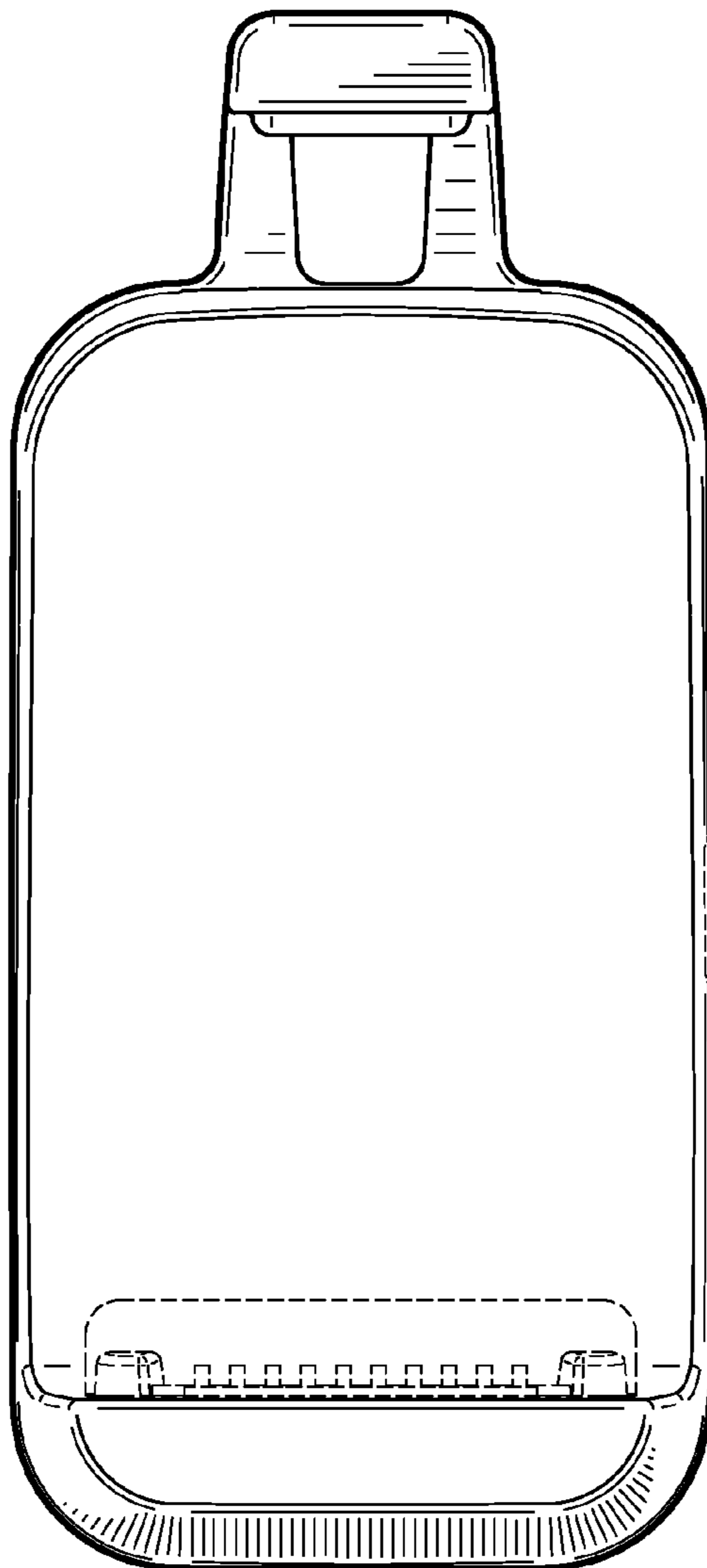
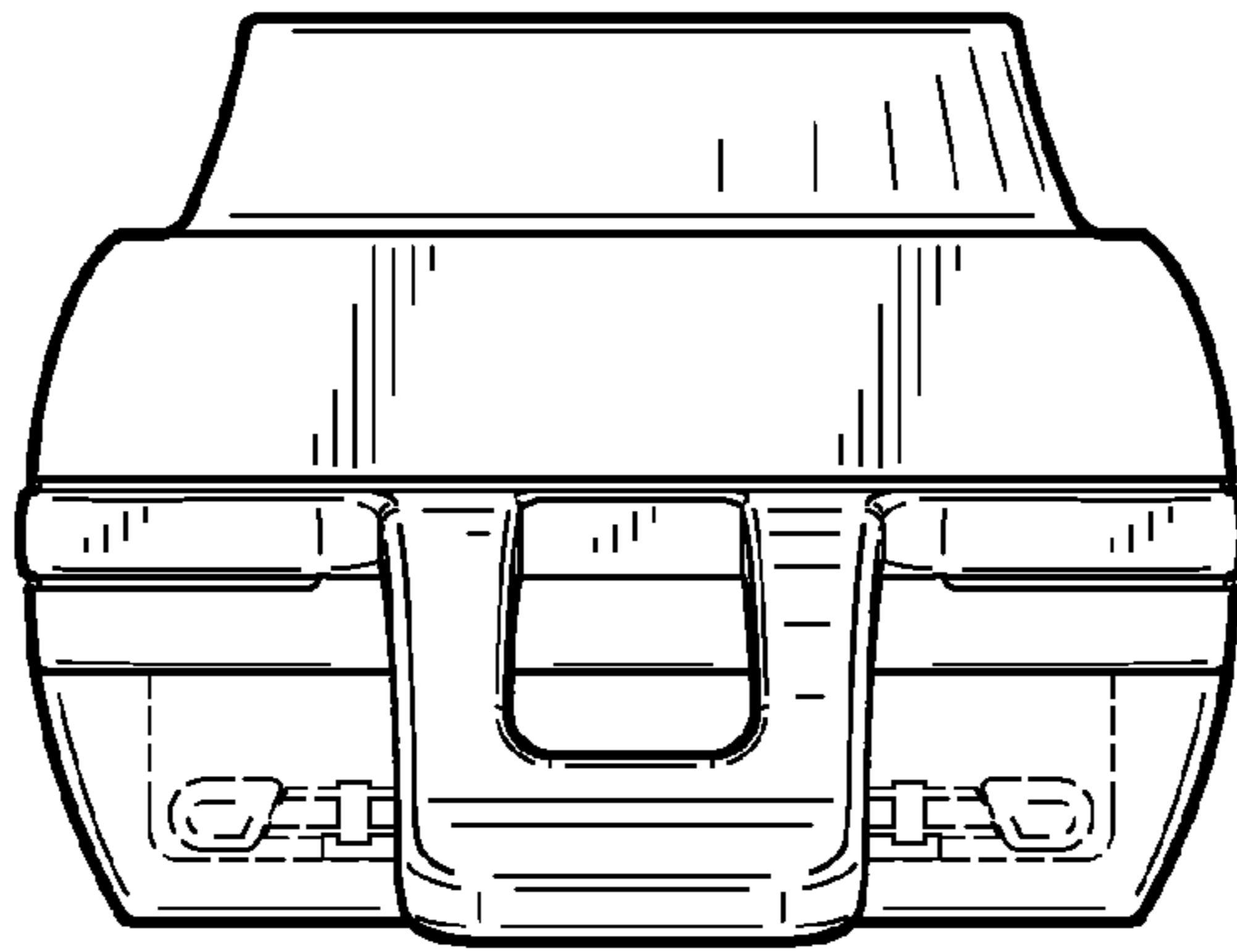


Fig. 4

Fig. 5

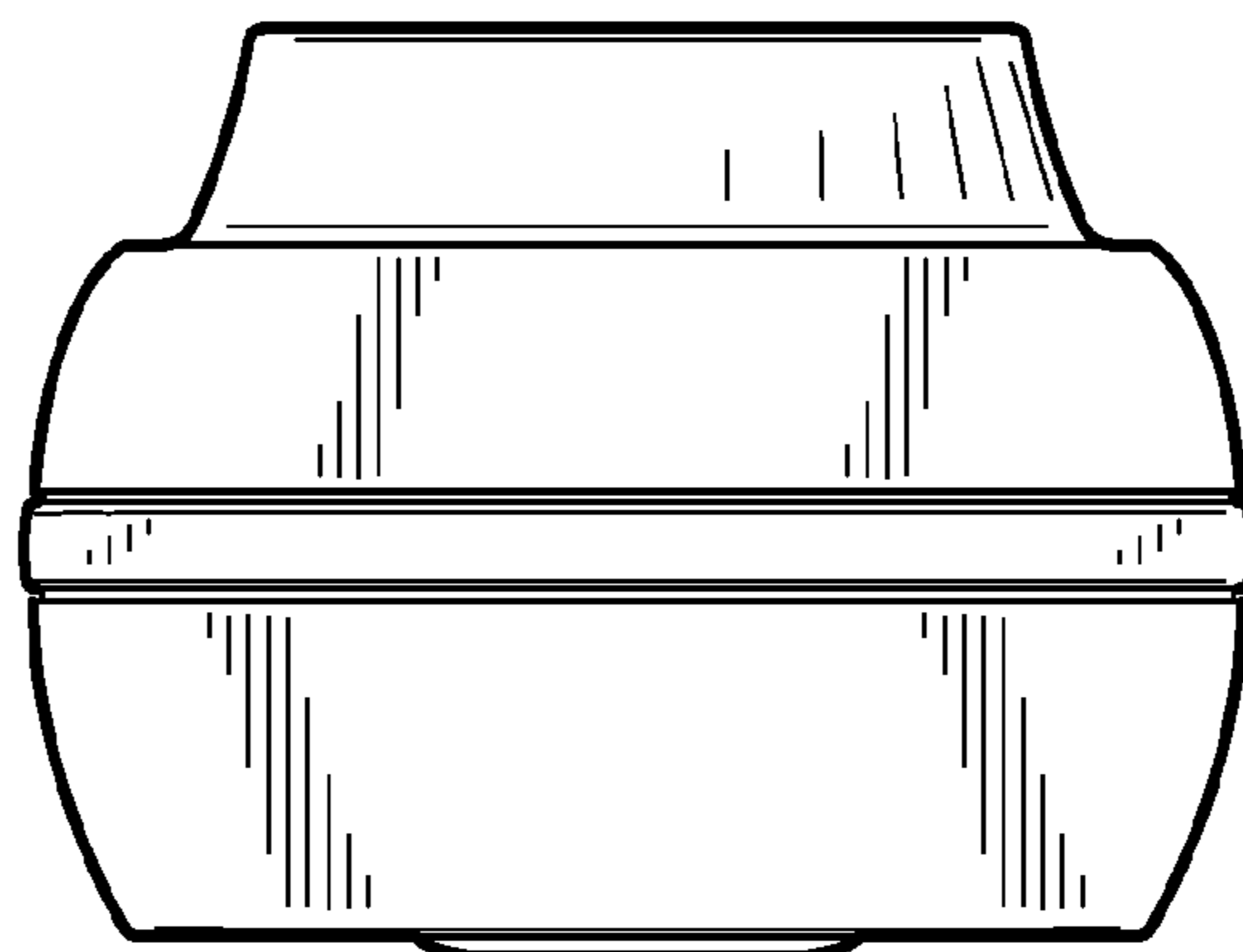
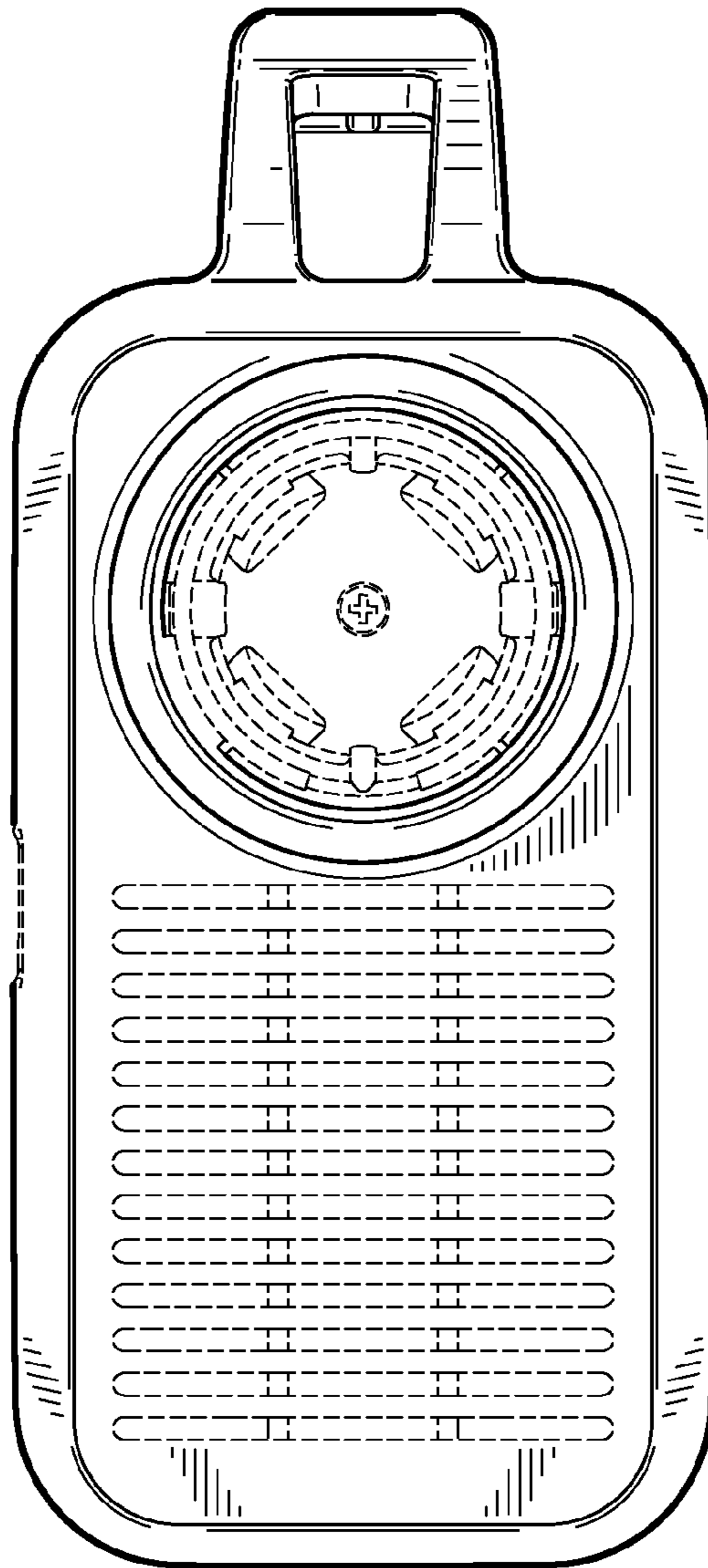


Fig. 6

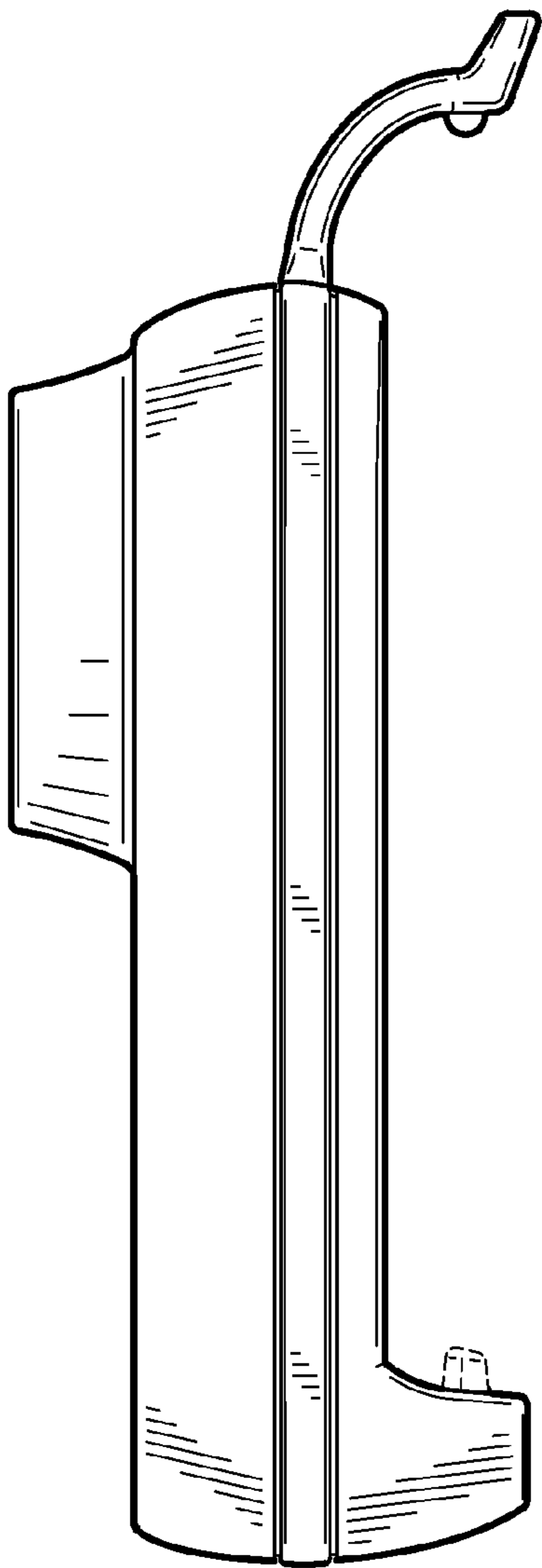


Fig. 7

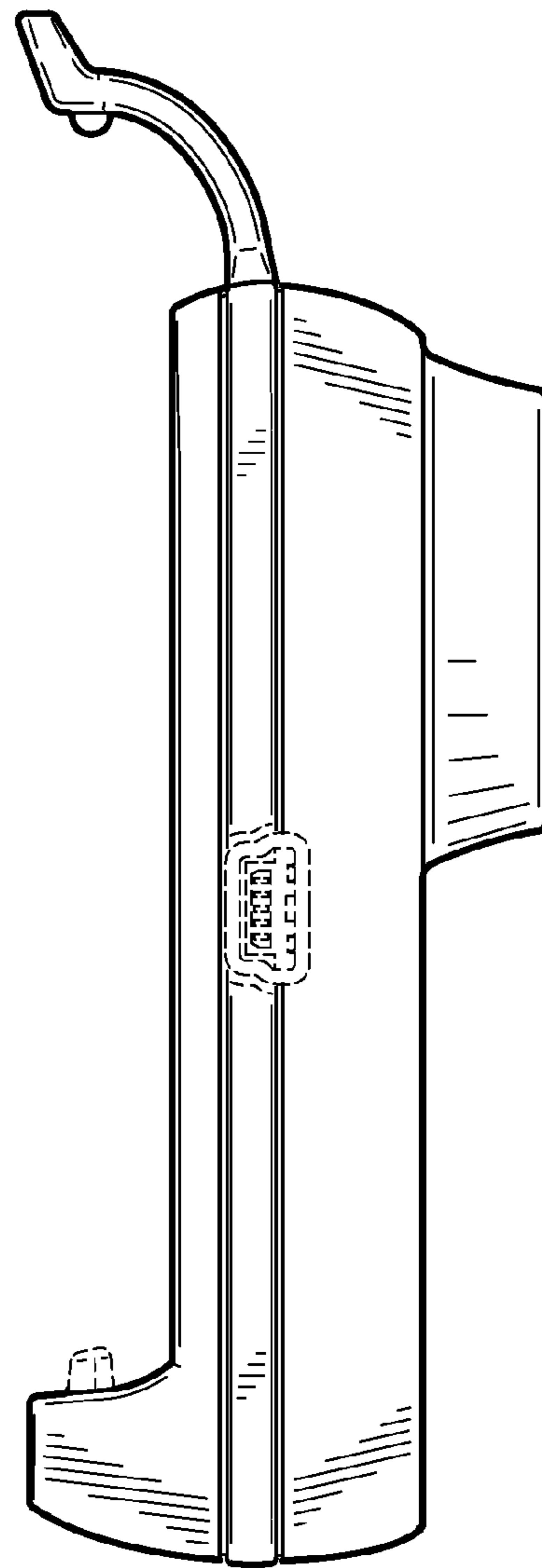


Fig. 8