



US00D626438S

(12) **United States Design Patent**  
**Prichard et al.**

(10) **Patent No.:** **US D626,438 S**  
(45) **Date of Patent:** **\*\* Nov. 2, 2010**

(54) **BRACKET AND SENSOR CONFIGURATION FOR USE IN A VEHICLE DOOR**

(75) Inventors: **Mark A. Prichard**, Glen Ellyn, IL (US);  
**James E. Brown**, Naperville, IL (US);  
**Steven L. Wiora**, Sycamore, IL (US)

(73) Assignee: **Control Solutions LLC**, Aurora, IL (US)

(\*\*) Term: **14 Years**

(21) Appl. No.: **29/344,646**

(22) Filed: **Oct. 1, 2009**

(51) **LOC (9) Cl.** ..... **10-02**

(52) **U.S. Cl.** ..... **D10/70**

(58) **Field of Classification Search** ..... D10/46,  
D10/70; 701/49.3, 36; 318/453, 469; 324/688;  
340/562; 73/774, 780

See application file for complete search history.

(56) **References Cited**

**U.S. PATENT DOCUMENTS**

D478,518 S \* 8/2003 Porter ..... D10/70  
7,323,885 B2 \* 1/2008 Gutendorf ..... 324/663  
7,513,166 B2 \* 4/2009 Shank et al. .... 73/780

7,548,809 B2 \* 6/2009 Westerhoff ..... 701/49  
\* cited by examiner

*Primary Examiner*—Antoine D Davis  
(74) *Attorney, Agent, or Firm*—The Eclipse Group LLP

(57) **CLAIM**

We claim the ornamental design for a bracket and sensor configuration for use in a vehicle door, as shown and described.

**DESCRIPTION**

FIG. 1 is a top right perspective view of the bracket and sensor configuration for use in a vehicle door;

FIG. 2 is a bottom left perspective view thereof;

FIG. 3 is a top view thereof;

FIG. 4 is a left side view thereof;

FIG. 5 is a front view thereof;

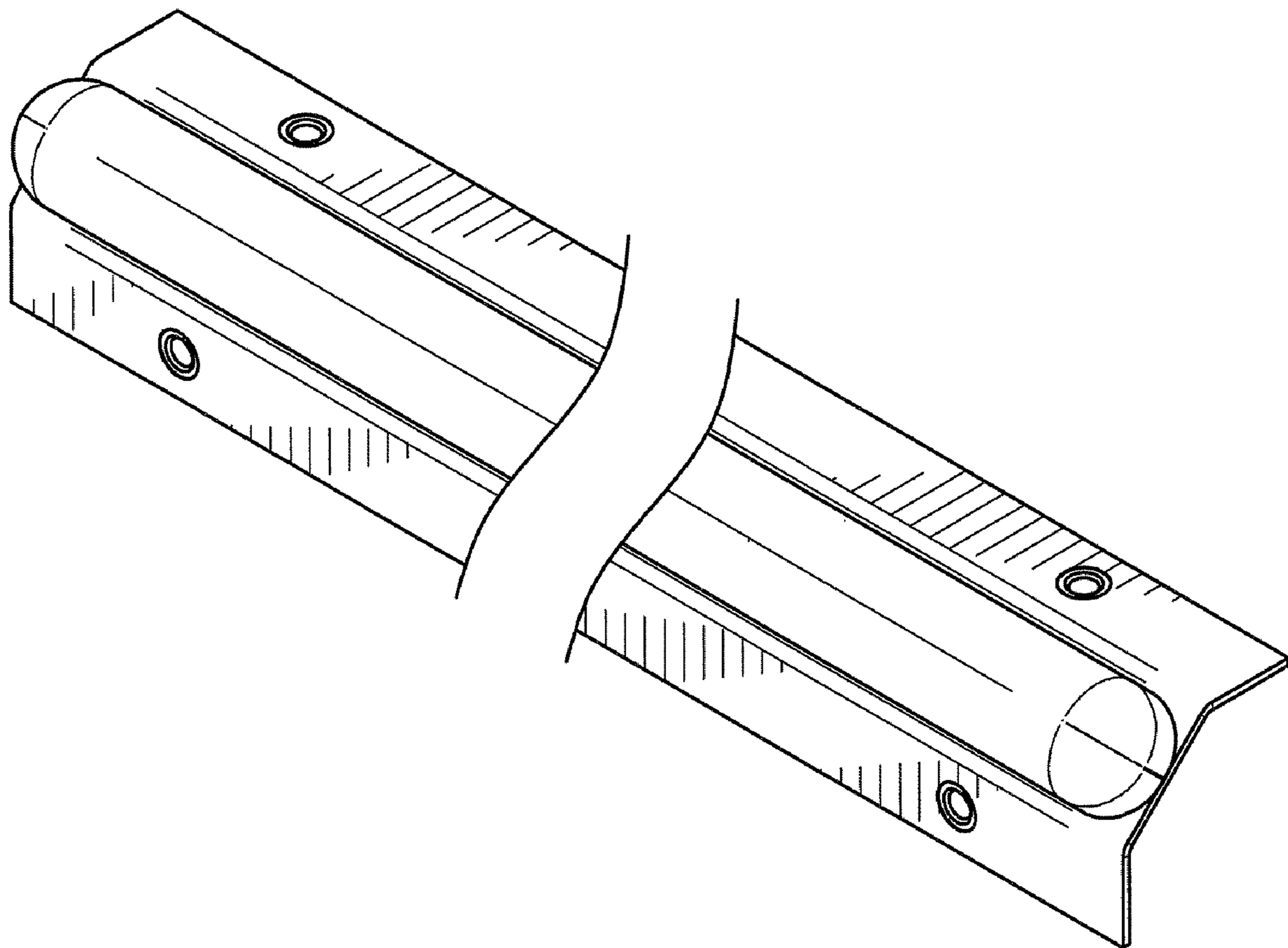
FIG. 6 is a right side view thereof;

FIG. 7 is a rear view thereof; and,

FIG. 8 is a bottom view thereof.

The dashed lines in various figures are for illustrative purposes only and form no part of the claimed design.

**1 Claim, 3 Drawing Sheets**



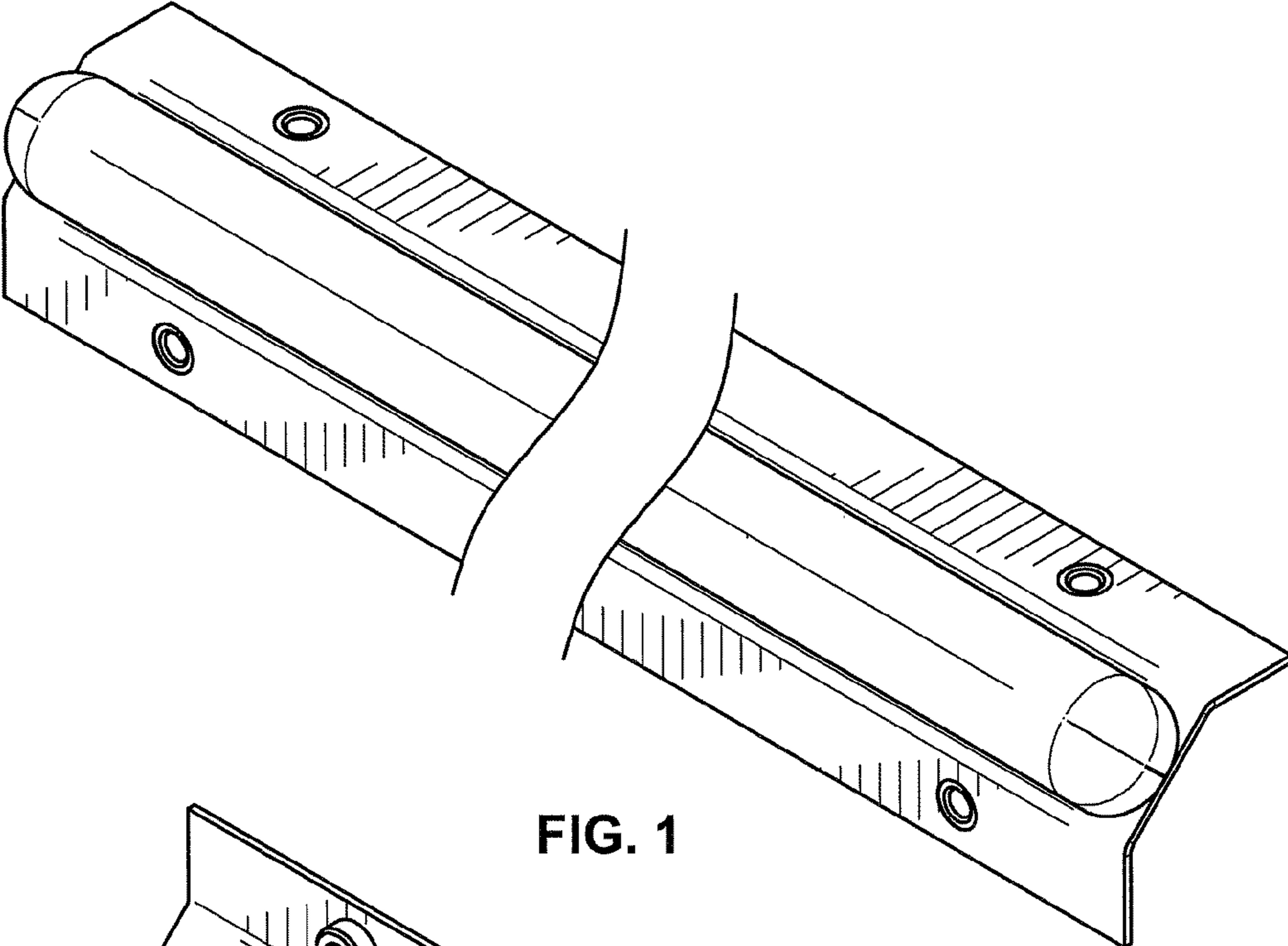


FIG. 1

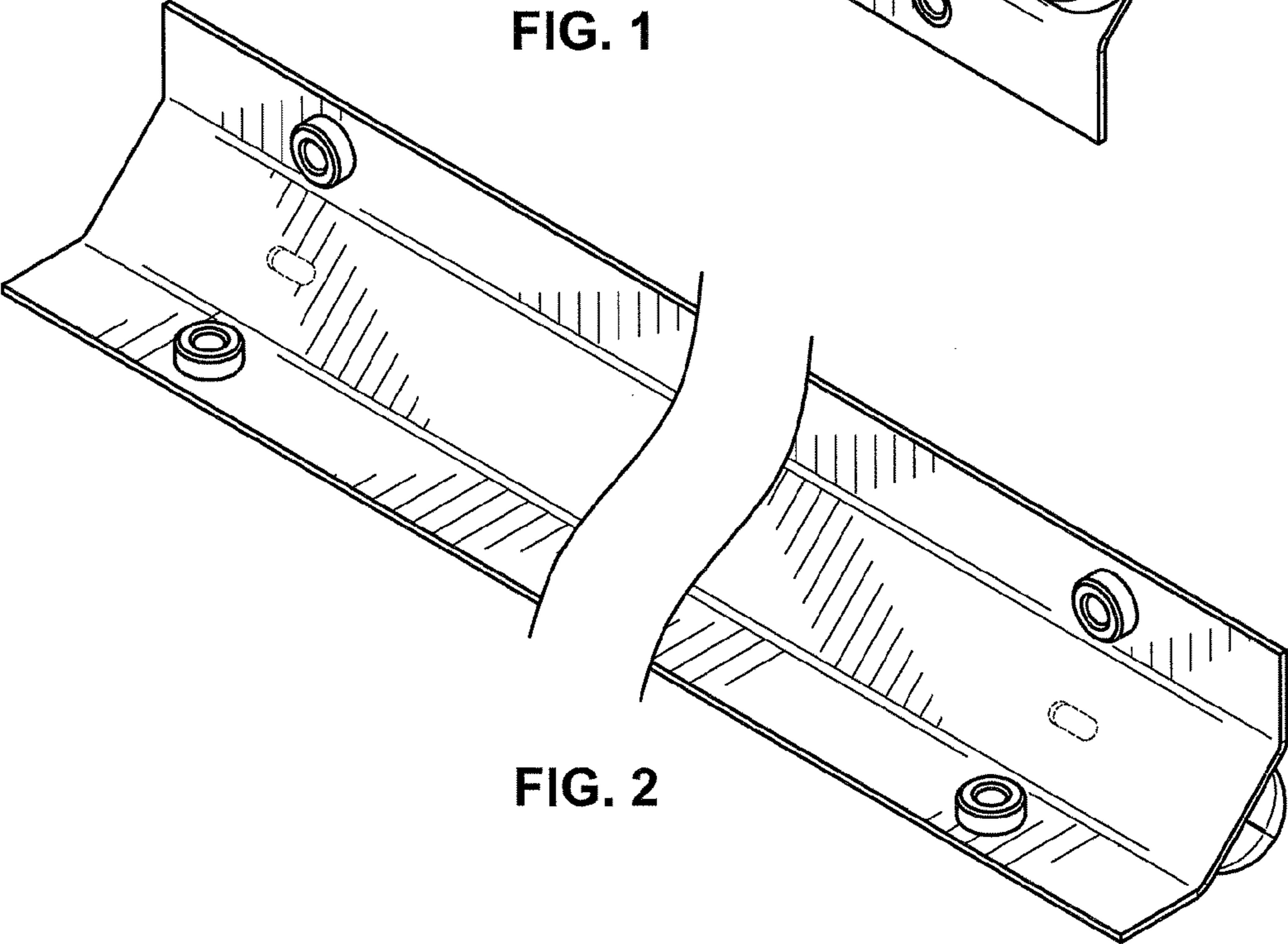


FIG. 2

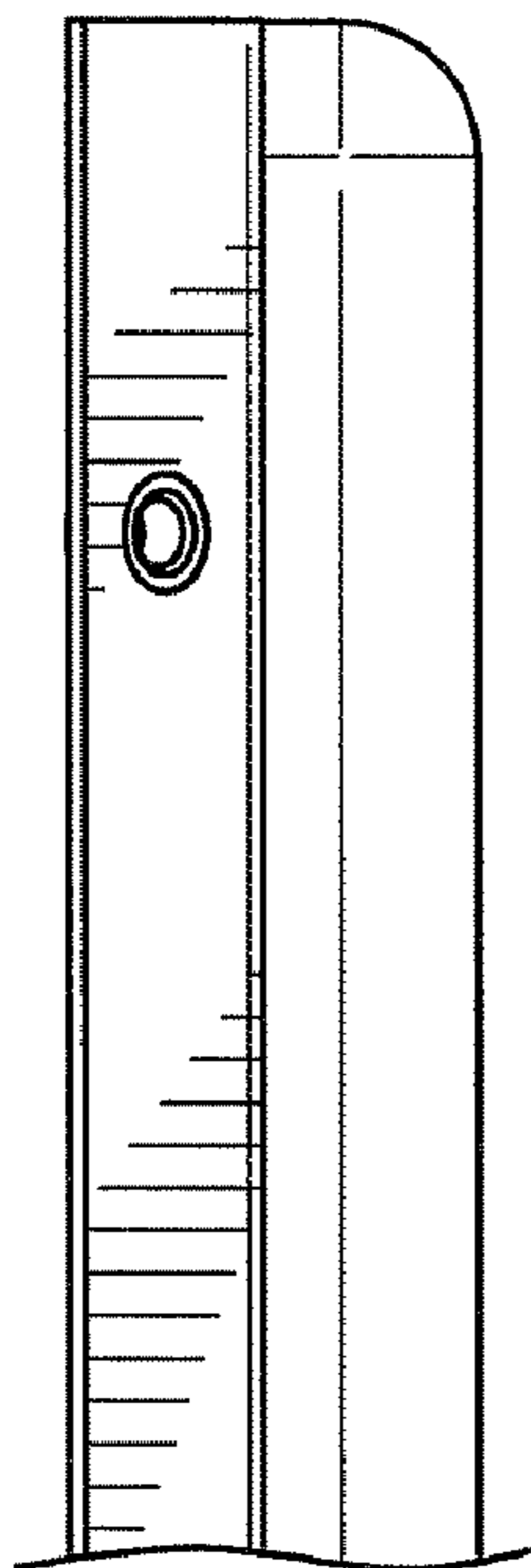


FIG. 3

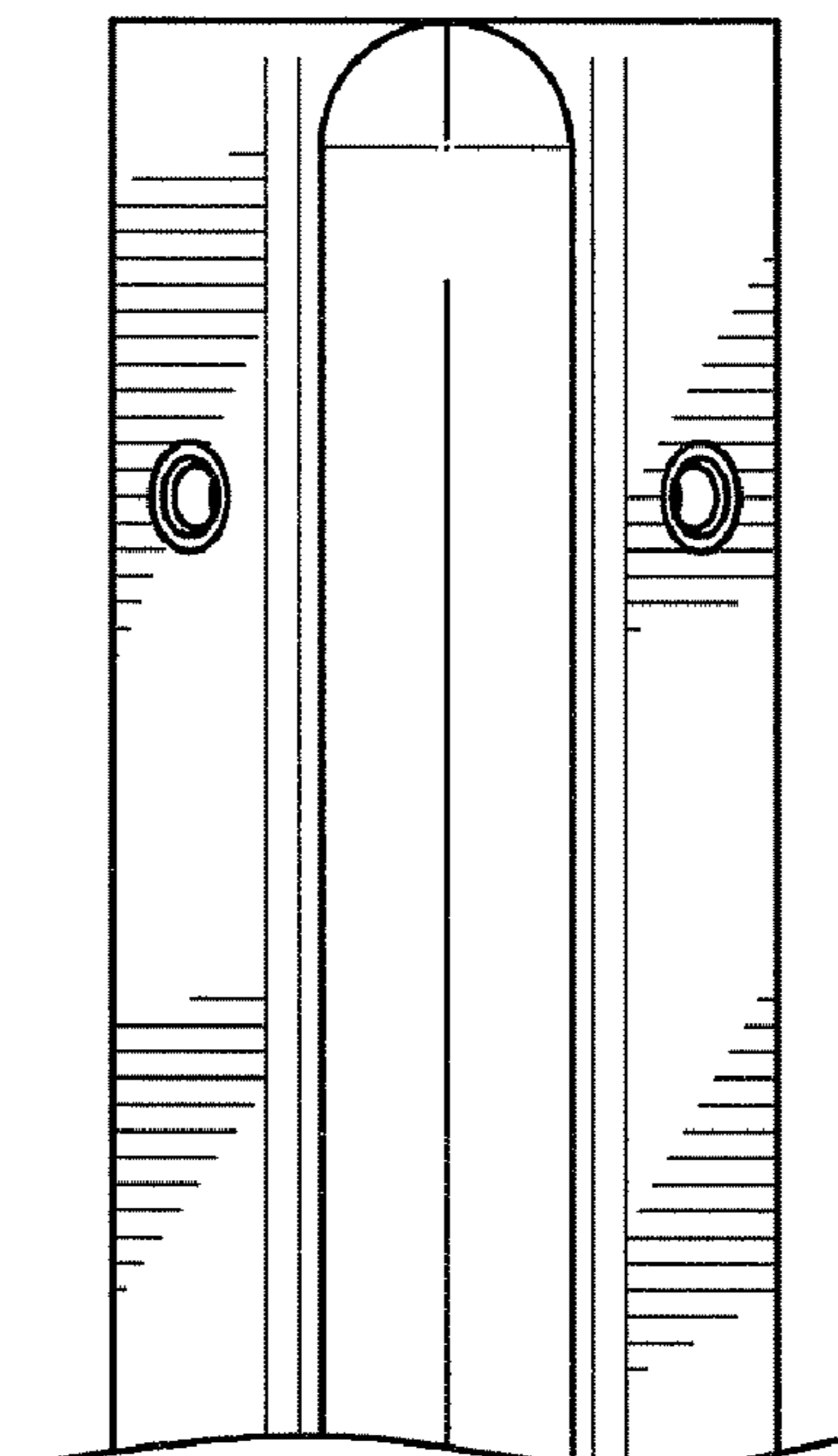
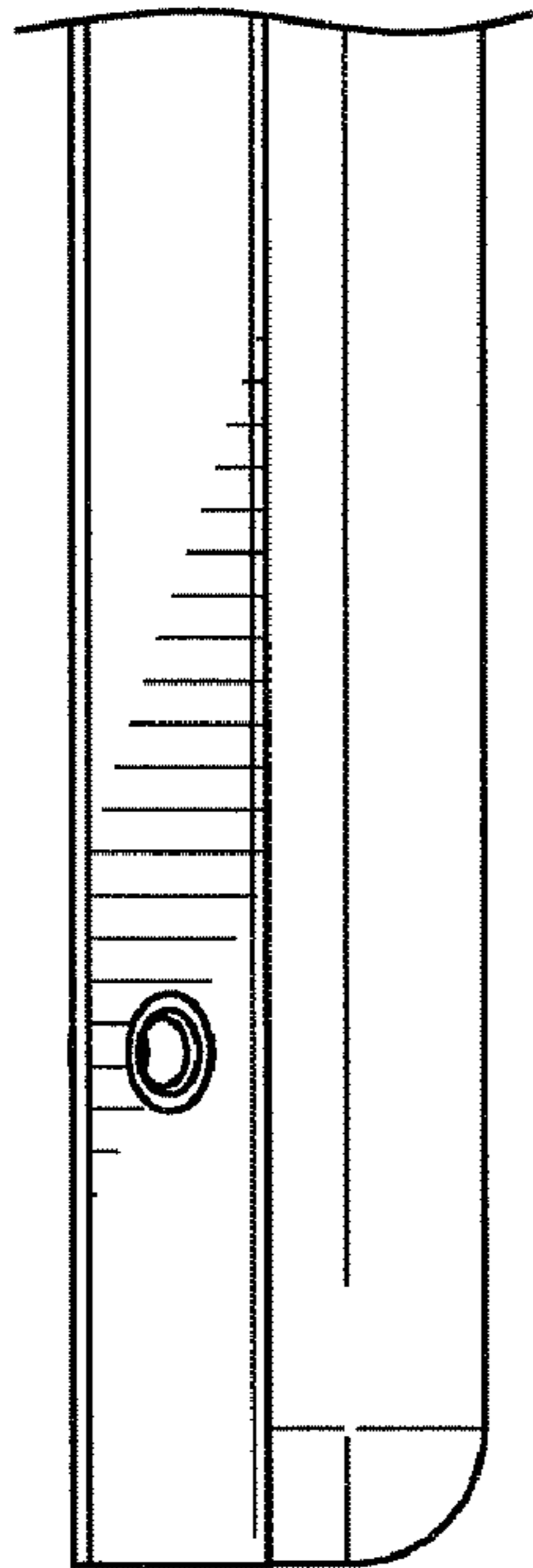


FIG. 5

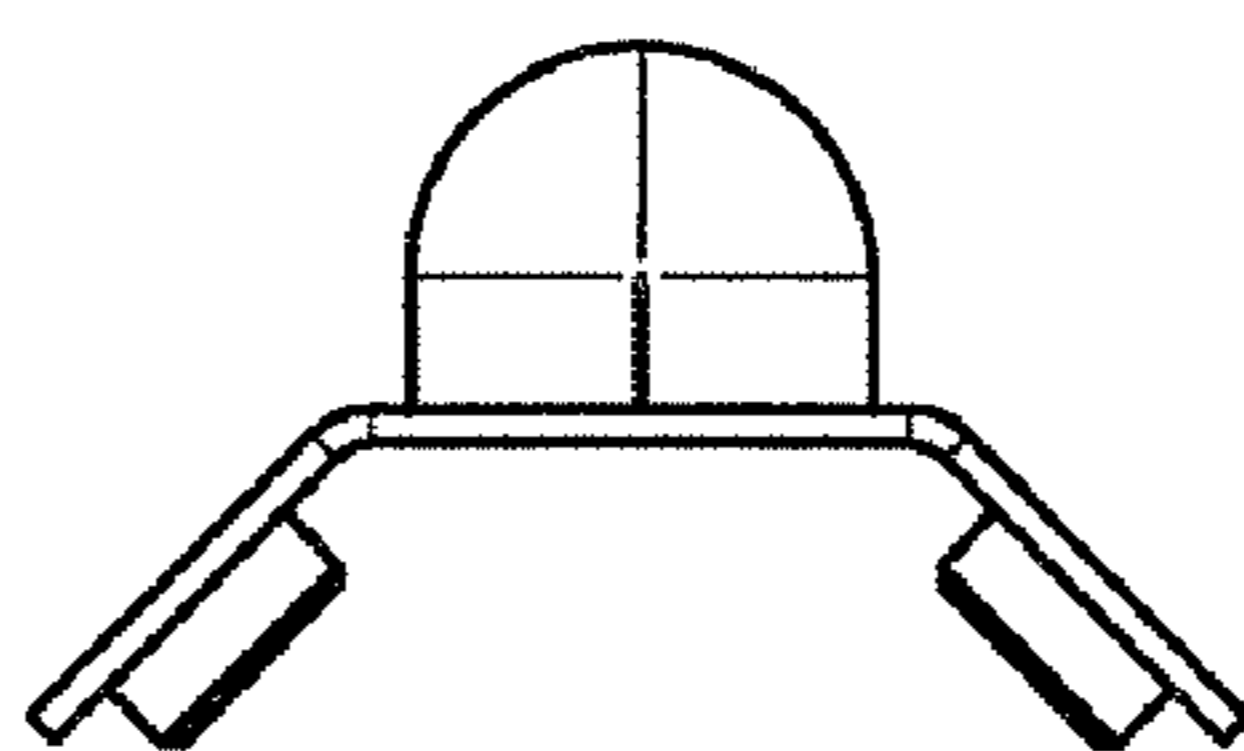
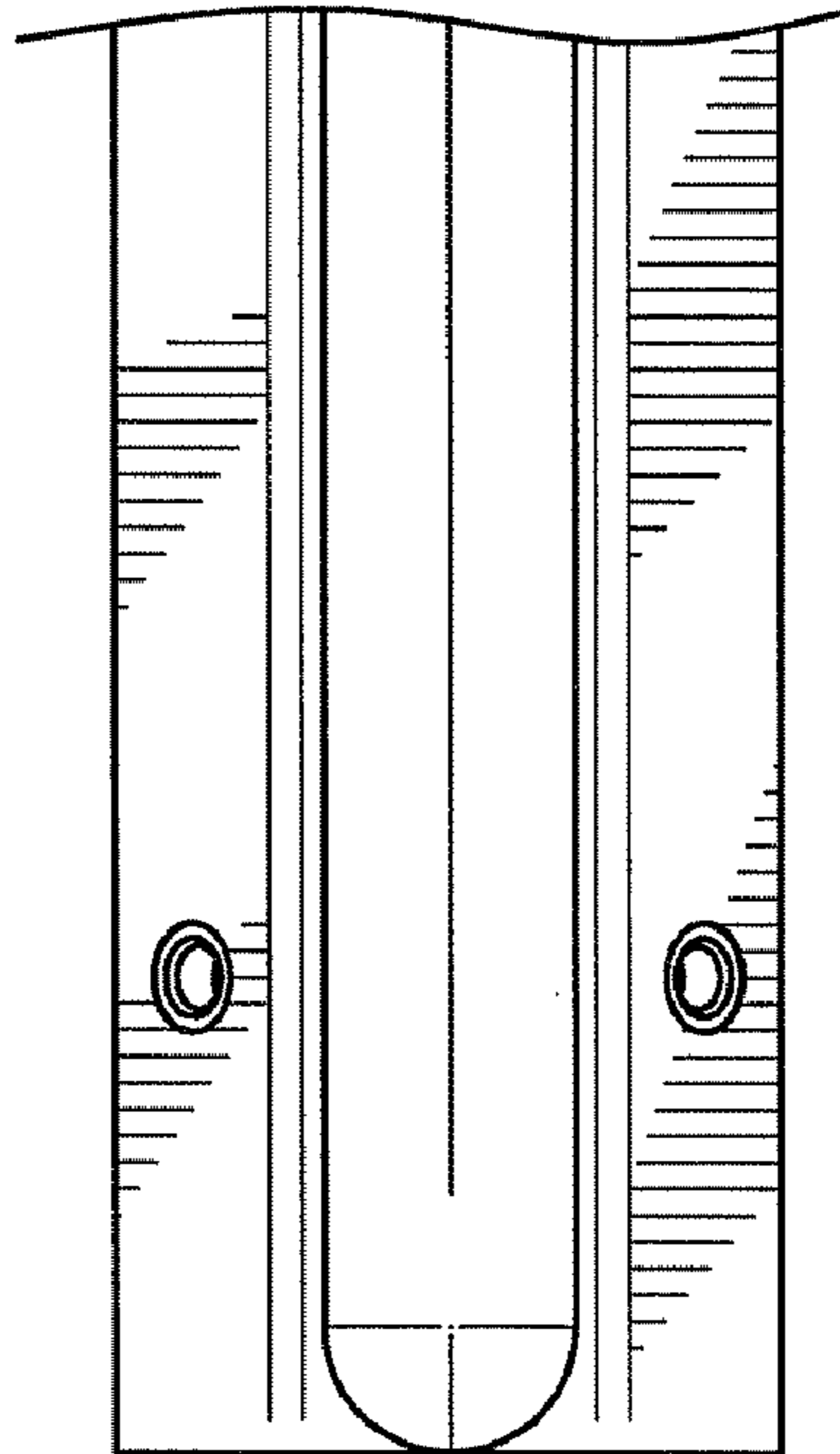


FIG. 4

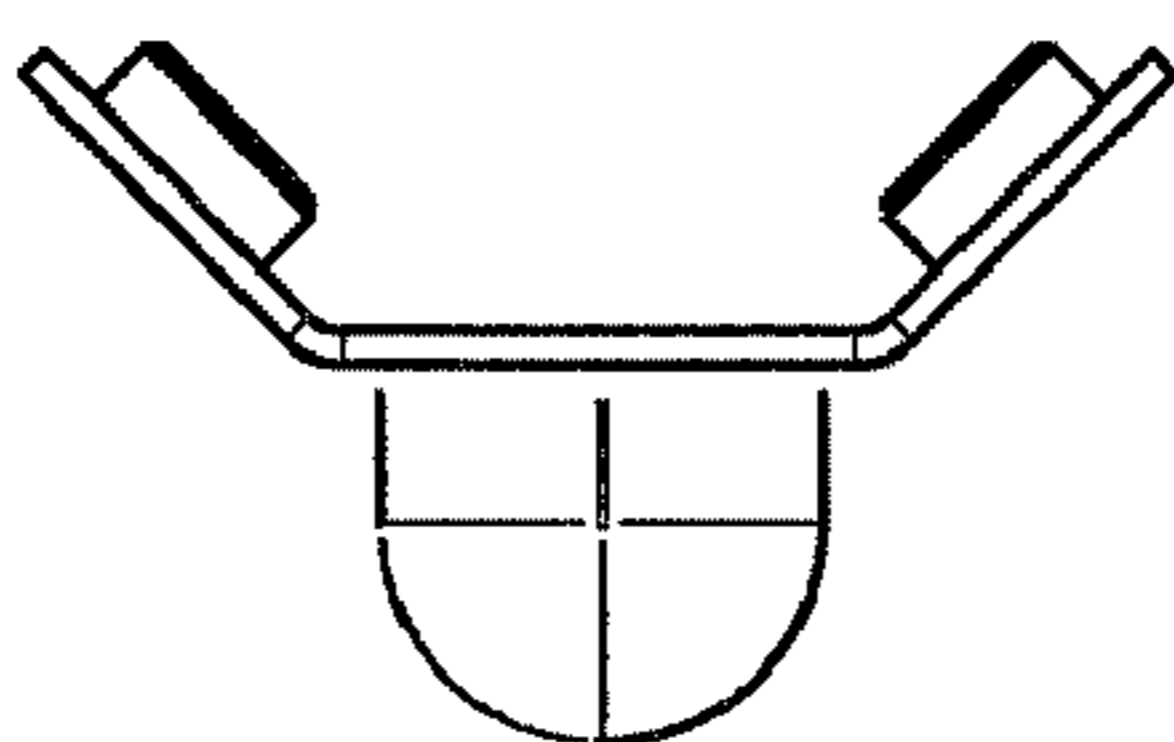
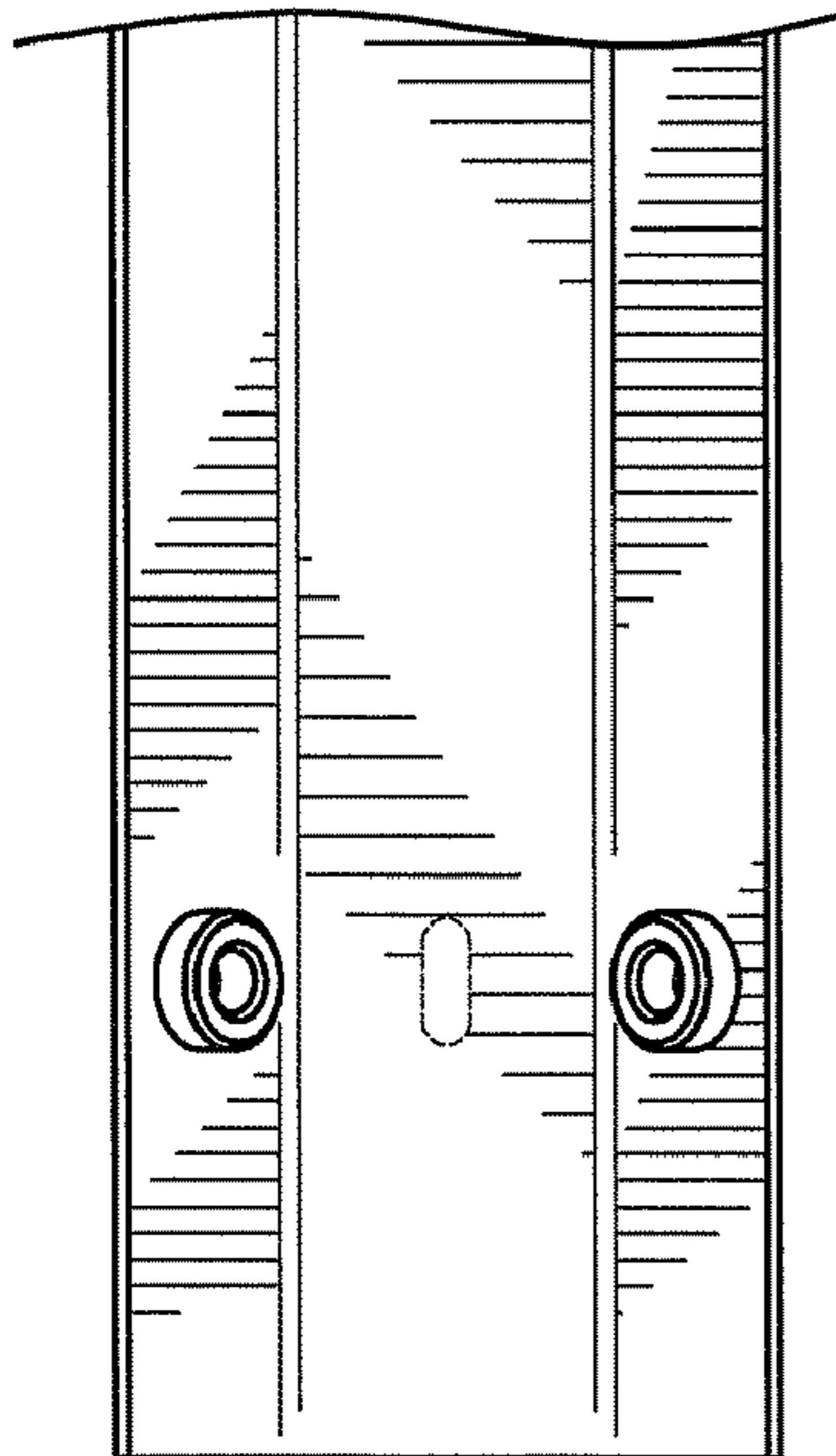
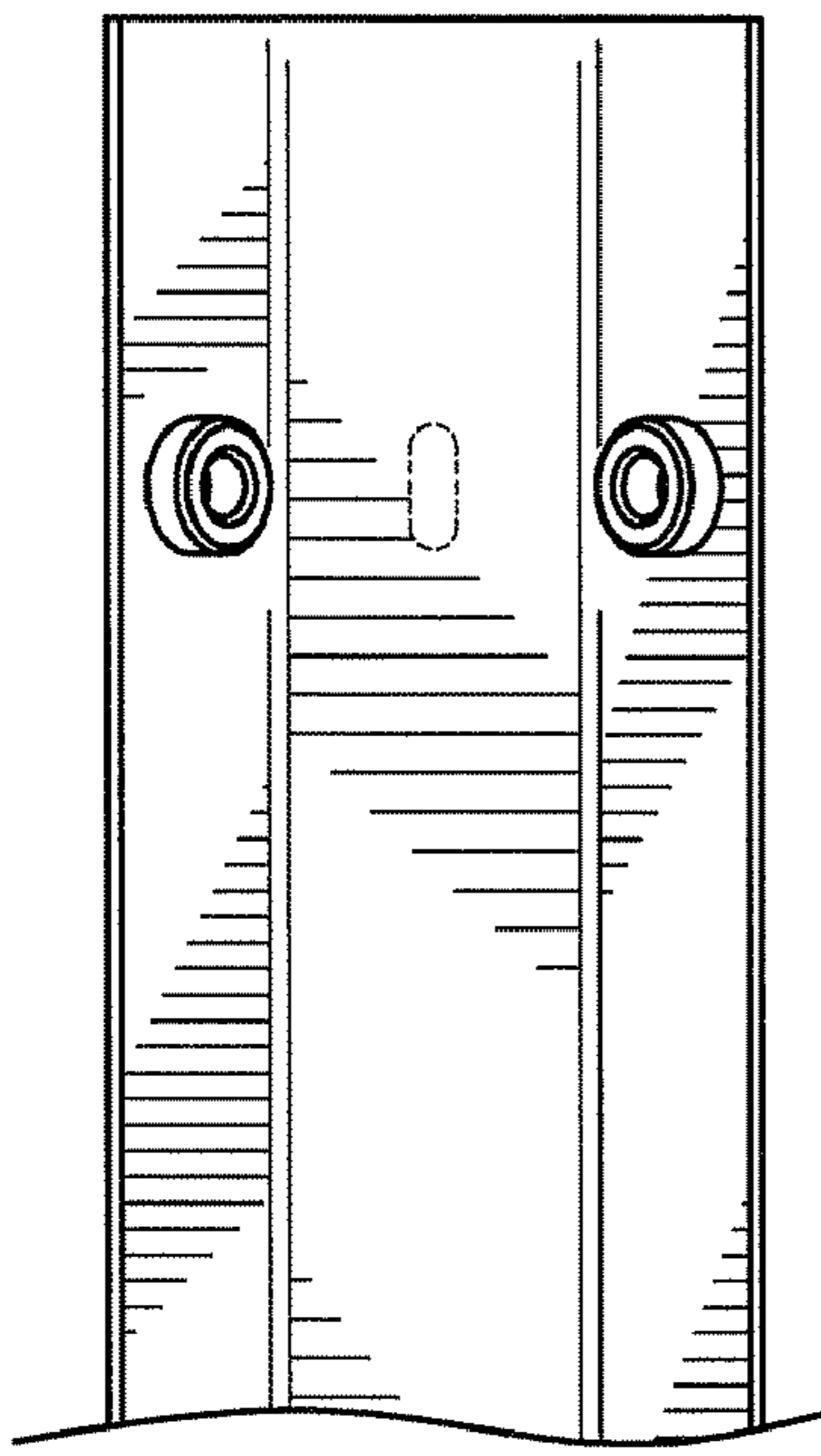


FIG. 6

FIG. 7

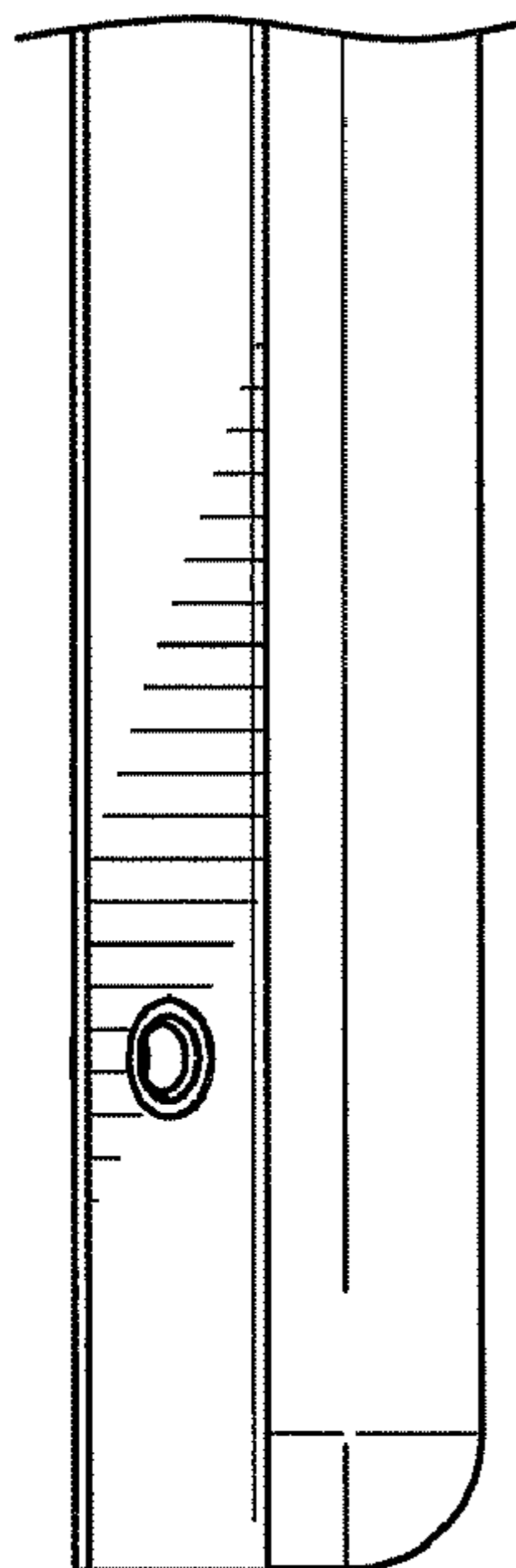
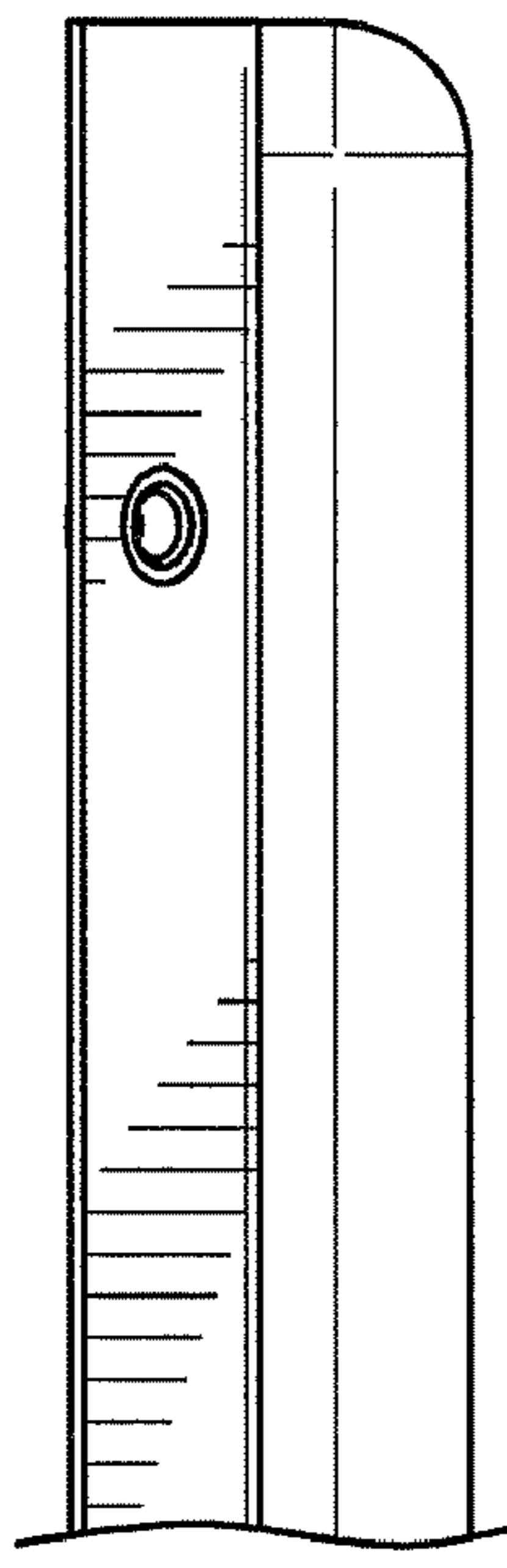


FIG. 8

FIG. 9