



US00D626437S

(12) **United States Design Patent**
Lee et al.

(10) **Patent No.:** **US D626,437 S**
(45) **Date of Patent:** **** Nov. 2, 2010**

(54) **NAVIGATION DEVICE**

(75) Inventors: **Juhee Lee**, Olathe, KS (US); **Warren R. Stevens**, Prairie Village, KS (US); **Shawn R. Harvill**, Kansas City, KS (US); **Joshua C. Reeson**, Olathe, KS (US)

(73) Assignee: **Garmin Switzerland GmbH** (CH)

(**) Term: **14 Years**

(21) Appl. No.: **29/355,961**

(22) Filed: **Feb. 17, 2010**

(51) **LOC (9) Cl.** **10-04**

(52) **U.S. Cl.** **D10/65**

(58) **Field of Classification Search** D10/65,
D10/70; D14/347; 342/351, 419, 457, 357.06–357.16;
343/702; 345/87, 104, 133, 156, 168, 173,
345/901–905; 348/180, 184, 315, 739; 364/444,
364/499; 701/206–209, 213–214

See application file for complete search history.

(56) **References Cited**

U.S. PATENT DOCUMENTS

D541,186 S	4/2007	Lammers-Meis et al.	D10/65
D543,875 S	6/2007	Skelton et al.	D10/65
D543,876 S	6/2007	Kalis et al.	D10/65
D544,381 S	6/2007	Lammers-Meis et al.	D10/65
D549,603 S	8/2007	Lammers-Meis et al.	D10/74
D561,619 S	2/2008	Miyawaki	D10/65
D563,806 S	3/2008	Jeon	D10/65
D565,978 S	4/2008	Stevens et al.	D10/65
D565,979 S	4/2008	Ichikawa et al.	D10/65
D566,588 S	4/2008	Stevens et al.	D10/65
D571,234 S	6/2008	Reeson et al.	D10/65
D571,235 S	6/2008	Stevens et al.	D10/65
D573,044 S	7/2008	Kalis et al.	D10/65
D574,271 S	8/2008	Stevens et al.	D10/65
D574,272 S	8/2008	Stevens et al.	D10/65

D575,171 S	8/2008	Miyawaki	D10/65
D577,298 S	9/2008	Reeson et al.	D10/65
D582,806 S *	12/2008	Schmid-Schweiger	D10/65
D584,646 S	1/2009	Sanguinetti	D10/65

(Continued)

OTHER PUBLICATIONS

U.S. Appl. No. 29/332,865, filed Feb. 26, 2009.

(Continued)

Primary Examiner—Antoine D Davis

(74) *Attorney, Agent, or Firm*—Samuel M. Korle

(57) **CLAIM**

The ornamental design for a navigation device, as shown and described.

DESCRIPTION

FIG. 1 is a front perspective view of a navigation device according to embodiments of the present invention;

FIG. 2 is a rear perspective view of the navigation device;

FIG. 3 is a top view of the navigation device;

FIG. 4 is a front view of the navigation device;

FIG. 5 is a bottom view of the navigation device;

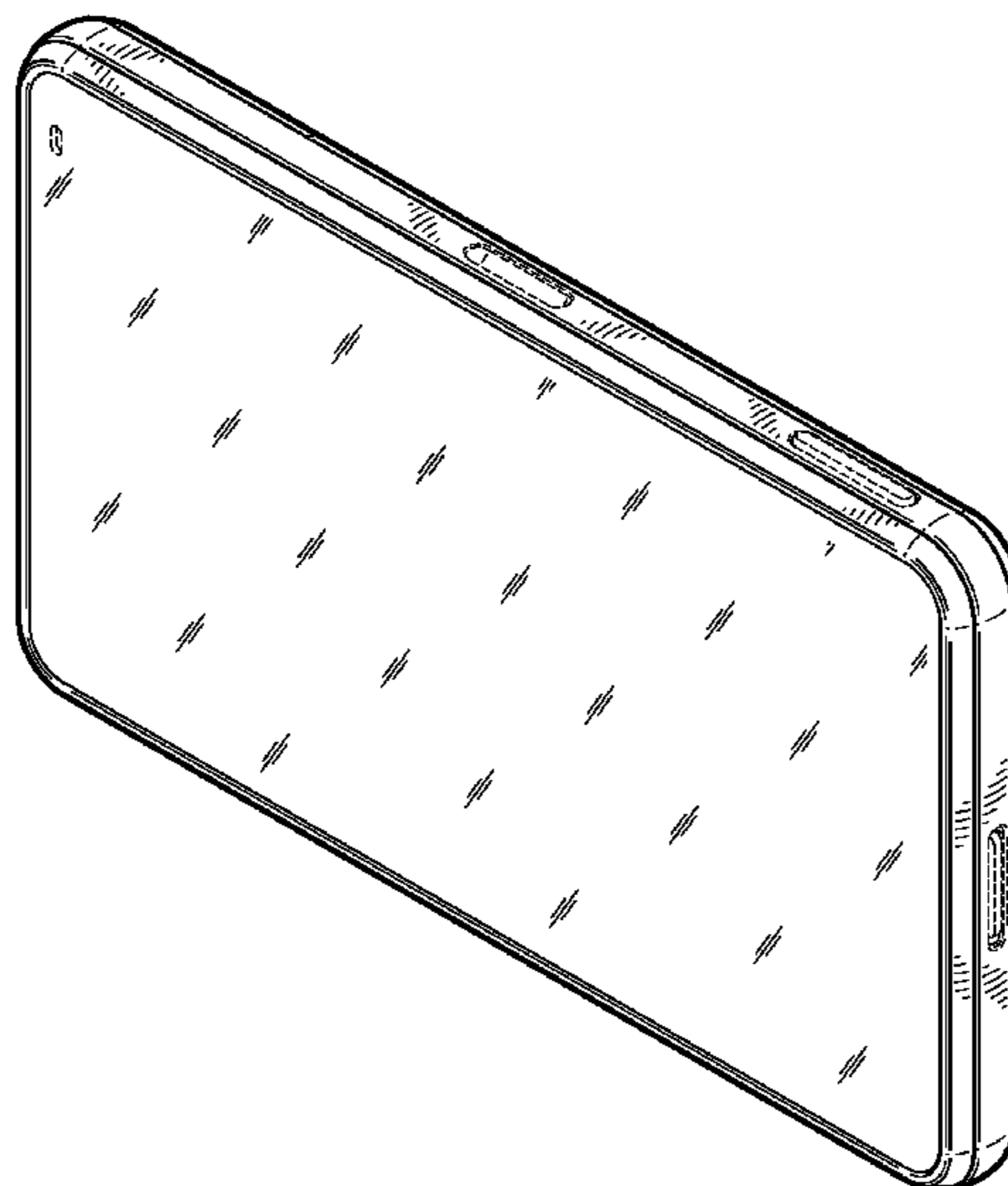
FIG. 6 is a rear view of the navigation device;

FIG. 7 is a left side view of the navigation device; and,

FIG. 8 is a right side view of the navigation device.

Portions of FIGS. 1 through 8 are shown in dashed lines for illustrative purposes only and form no part of the claimed design.

1 Claim, 3 Drawing Sheets



US D626,437 S

Page 2

U.S. PATENT DOCUMENTS

D589,381 S 3/2009 Gretton D10/65
D589,824 S 4/2009 Gretton D10/65
D592,083 S 5/2009 Stevens et al. D10/65
D592,084 S 5/2009 Stevens et al. D10/65
7,567,212 B2 7/2009 Inoue et al. 343/702
2008/0259024 A1 10/2008 Nam et al. 45/156
2009/0043446 A1 2/2009 Drew et al. 701/133
2009/0160803 A1 6/2009 Hashimoto 345/173
2009/0189803 A1 7/2009 Beason 342/357.1

2009/0219259 A1 9/2009 Kwon 345/173
2010/0057359 A1* 3/2010 Caballero et al. 701/214
2010/0066682 A1* 3/2010 Tseng et al. 345/173
2010/0120450 A1* 5/2010 Herz 455/456.3

OTHER PUBLICATIONS

U.S. Appl. No. 29/355,054, filed Feb. 26, 2009.
LG Prada photographs, published 2007.
iPod Touch photographs, published 2007.

* cited by examiner

Fig. 1

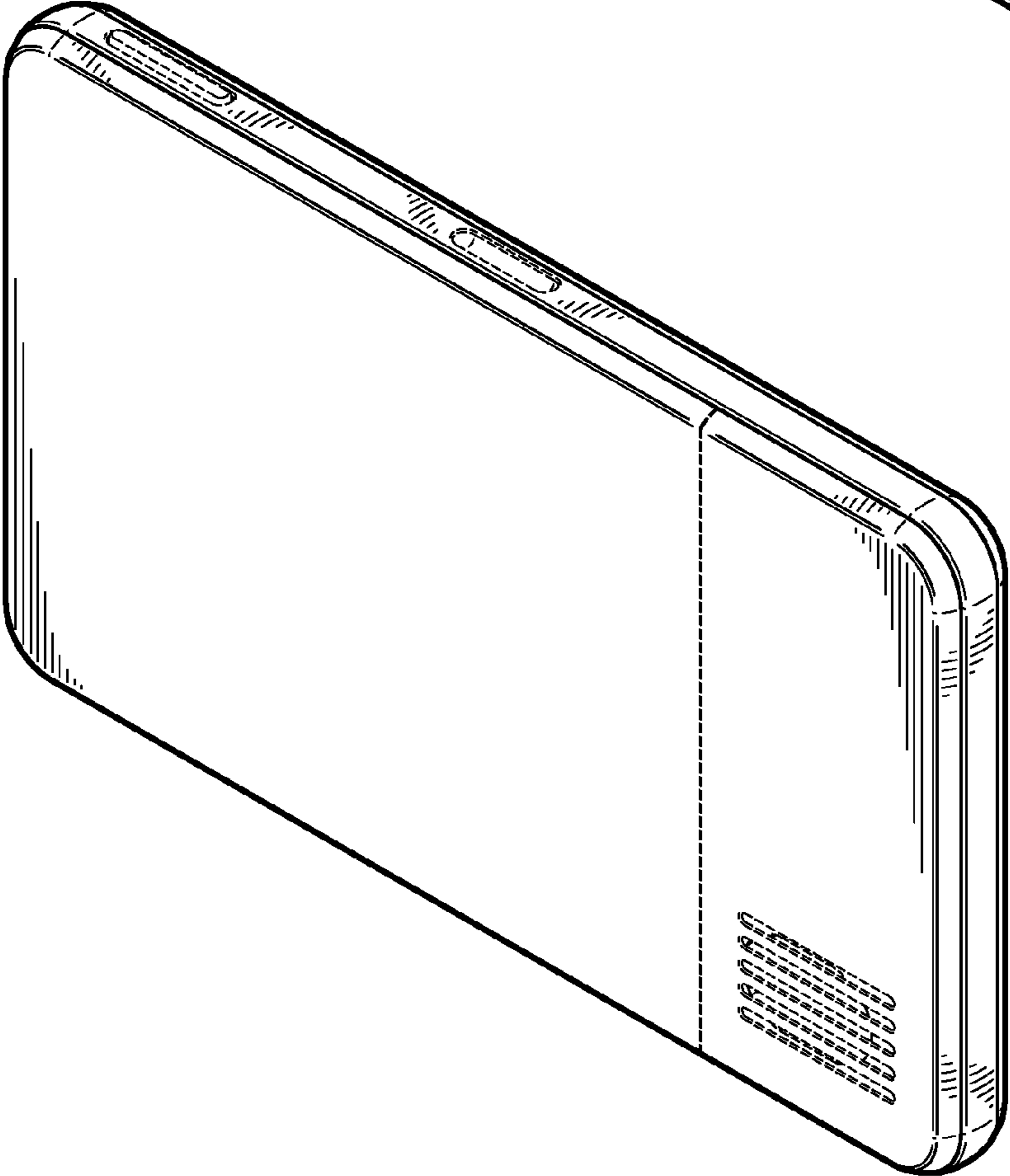
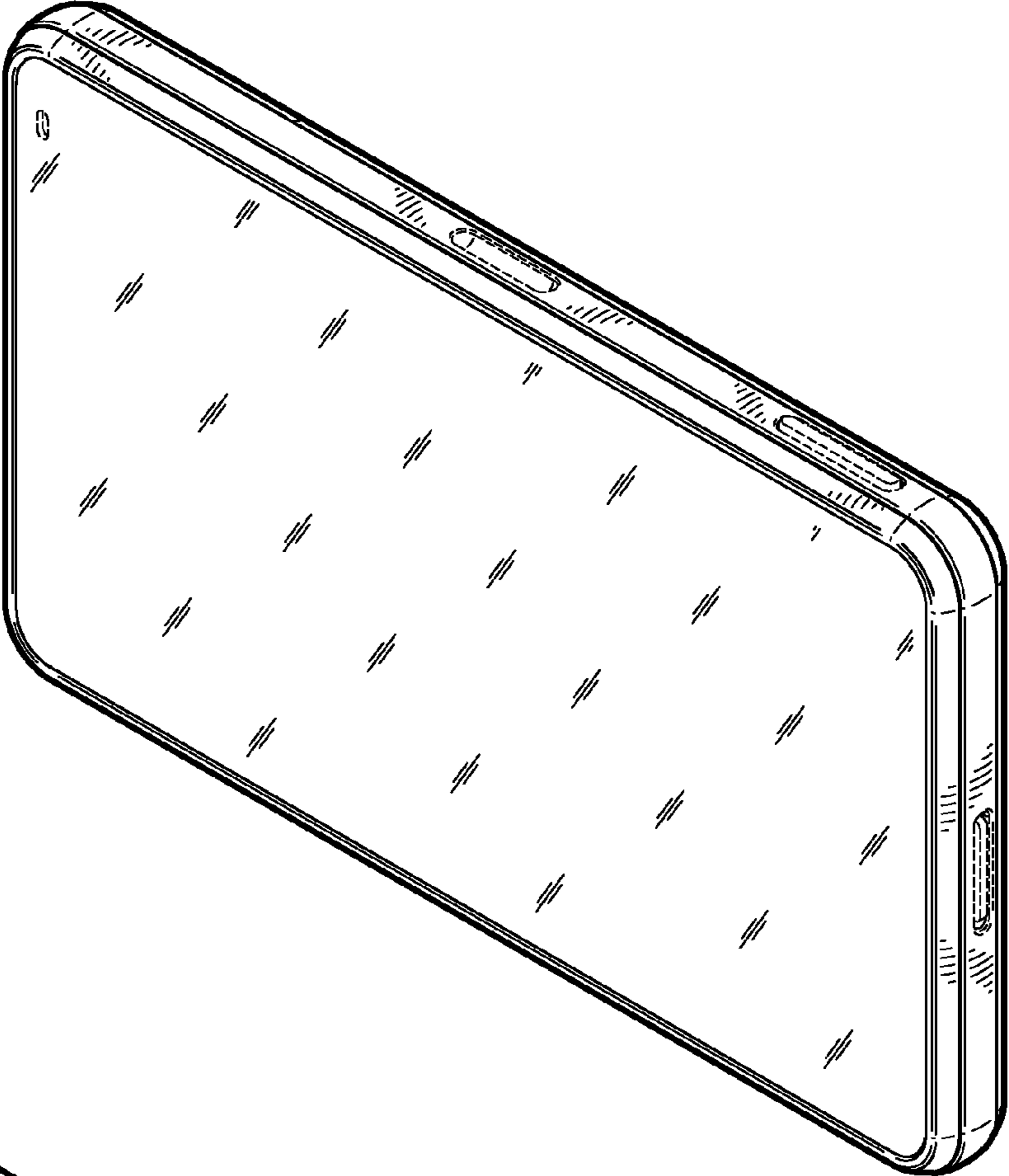


Fig. 2

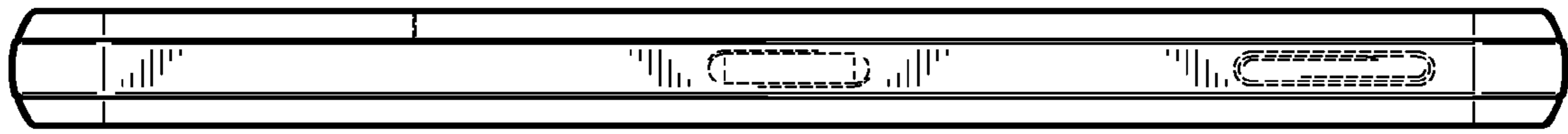


Fig. 3

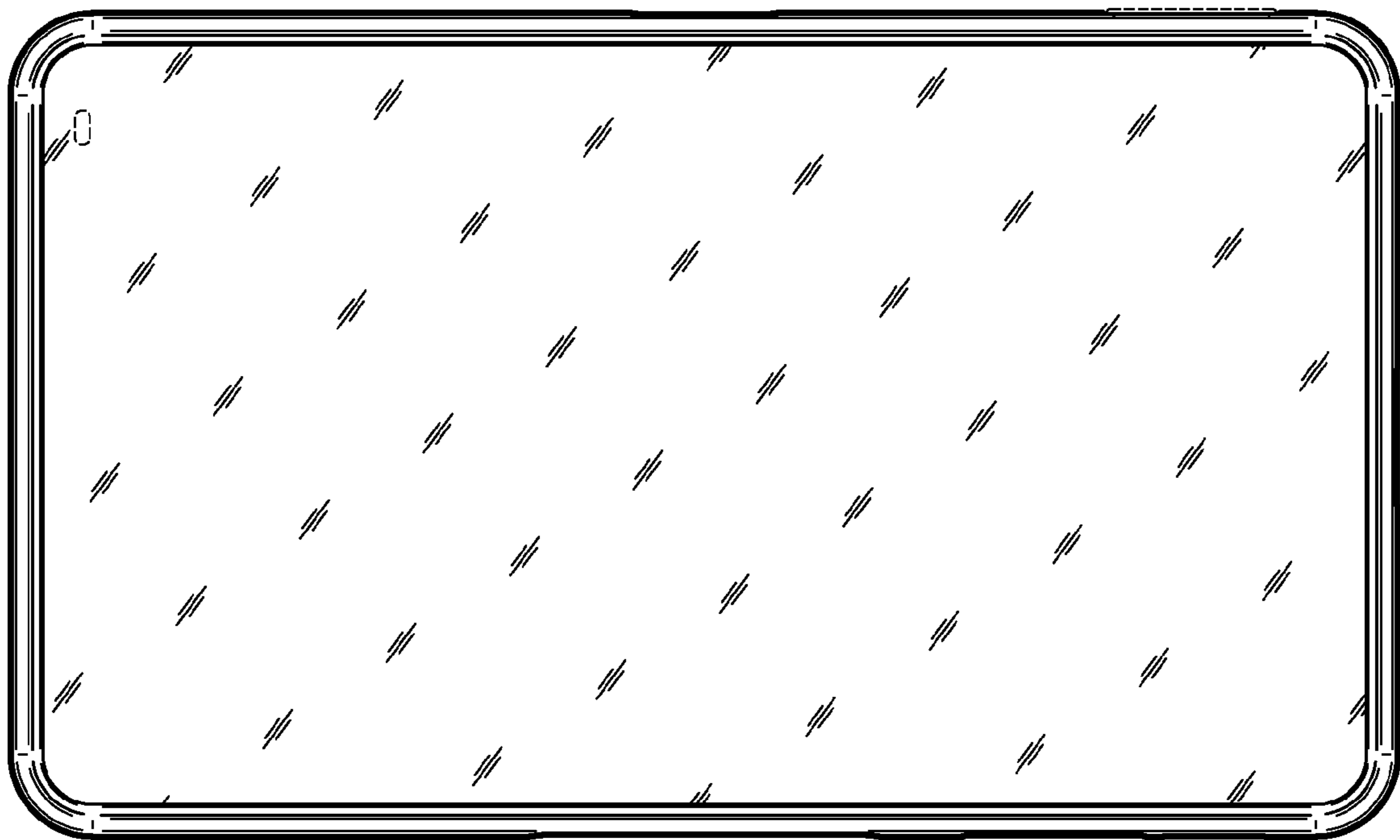


Fig. 4

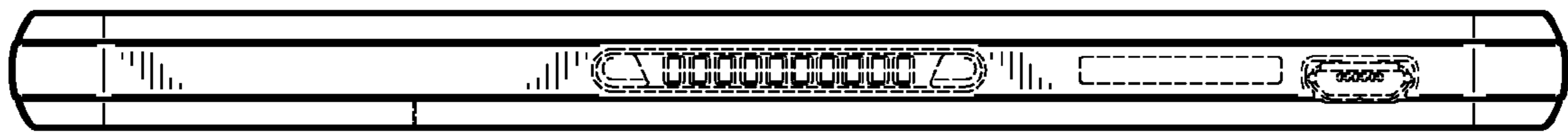


Fig. 5

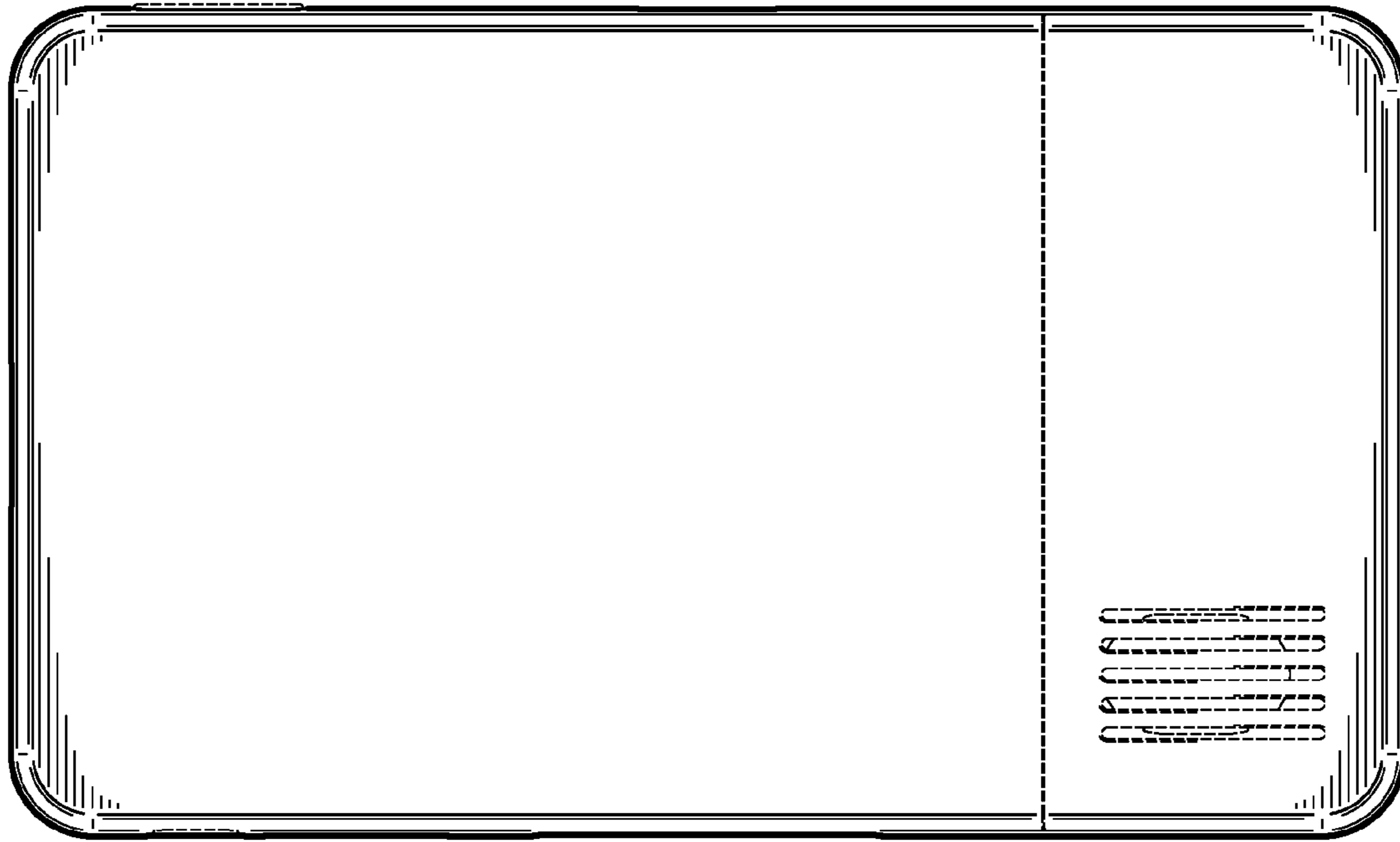


Fig. 6

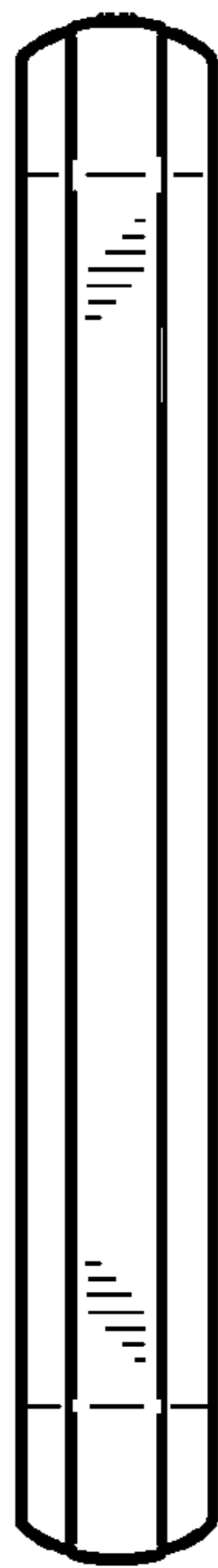


Fig. 7

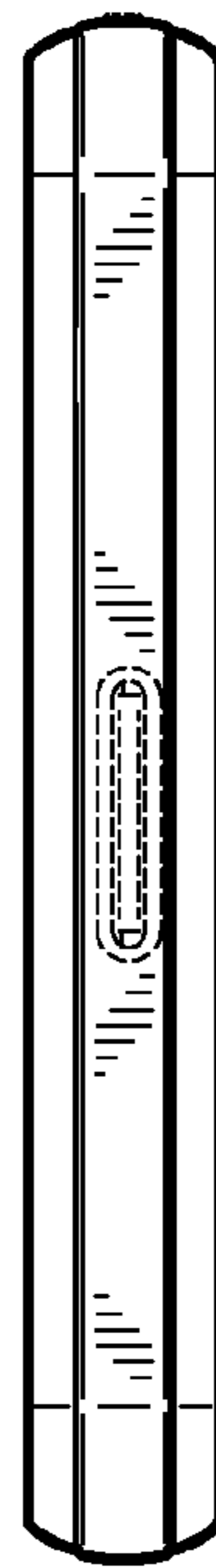


Fig. 8