



US00D626436S

(12) **United States Design Patent**  
**Kimura**

(10) **Patent No.:** **US D626,436 S**  
(45) **Date of Patent:** **\*\* Nov. 2, 2010**

(54) **WATCH CASE**

(75) Inventor: **Masayuki Kimura**, Chiba (JP)

(73) Assignee: **Seiko Instruments Inc.**, Chiba (JP)

(\*\*) Term: **14 Years**

(21) Appl. No.: **29/357,632**

(22) Filed: **Mar. 15, 2010**

(30) **Foreign Application Priority Data**

Sep. 16, 2009 (JP) ..... 2009-021422

(51) **LOC (9) Cl.** ..... **10-02**

(52) **U.S. Cl.** ..... **D10/38**

(58) **Field of Classification Search** ..... D10/30-39;  
368/276, 281, 282, 285; D11/3

See application file for complete search history.

(56) **References Cited**

**U.S. PATENT DOCUMENTS**

- D269,546 S \* 6/1983 Rogers et al. .... D24/186
- D387,692 S \* 12/1997 Hanagata ..... D11/3
- D394,391 S \* 5/1998 Bruce et al. .... D10/30
- D394,394 S \* 5/1998 Bruce et al. .... D10/30
- D394,395 S \* 5/1998 Bruce et al. .... D10/30
- D407,030 S \* 3/1999 Toyoshima et al. .... D10/39
- D409,940 S \* 5/1999 Spandrio et al. .... D11/3
- 5,912,865 A \* 6/1999 Ortega ..... 368/276
- D443,220 S \* 6/2001 Robinette ..... D10/128
- D445,041 S \* 7/2001 Tan et al. .... D10/32
- D446,467 S \* 8/2001 Lepeu et al. .... D11/3
- D447,977 S \* 9/2001 Tan et al. .... D10/128
- D471,470 S \* 3/2003 Tan et al. .... D10/30
- D472,478 S \* 4/2003 Tan et al. .... D10/30
- D472,819 S \* 4/2003 Streltsov ..... D10/30
- D486,075 S \* 2/2004 Frank ..... D10/38
- D493,371 S \* 7/2004 Streltsov ..... D10/30

- D503,115 S \* 3/2005 Goto et al. .... D10/32
- D515,945 S \* 2/2006 Goto et al. .... D10/32
- D523,369 S \* 6/2006 Jacober et al. .... D11/3
- D526,580 S \* 8/2006 Burton ..... D10/38
- D527,281 S \* 8/2006 Kojima et al. .... D10/32
- D528,018 S \* 9/2006 Burton ..... D10/38
- D528,438 S \* 9/2006 Burton ..... D10/32
- D540,697 S \* 4/2007 Kojima ..... D10/32
- D544,375 S \* 6/2007 Burton ..... D10/32
- D546,206 S \* 7/2007 Burton ..... D10/38
- D608,222 S \* 1/2010 Kimura ..... D10/32
- D608,663 S \* 1/2010 Kimura ..... D10/38
- D608,664 S \* 1/2010 Kimura ..... D10/38

\* cited by examiner

*Primary Examiner*—Lucy Lieberman

(74) *Attorney, Agent, or Firm*—Finnegan, Henderson, Farabow, Garrett & Dunner, L.L.P.

(57) **CLAIM**

The ornamental design for watch case, as shown and described.

**DESCRIPTION**

FIG. 1 is a perspective view of the front, bottom and right side of watch case showing my new design;

FIG. 2 is a front view thereof;

FIG. 3 is a rear view thereof;

FIG. 4 is a left side view thereof;

FIG. 5 is a right side view thereof;

FIG. 6 is a top plan view thereof; and,

FIG. 7 is a bottom view thereof.

The portions of the article in broken lines are shown for illustrative purposes only and form no part of the claimed design.

**1 Claim, 5 Drawing Sheets**

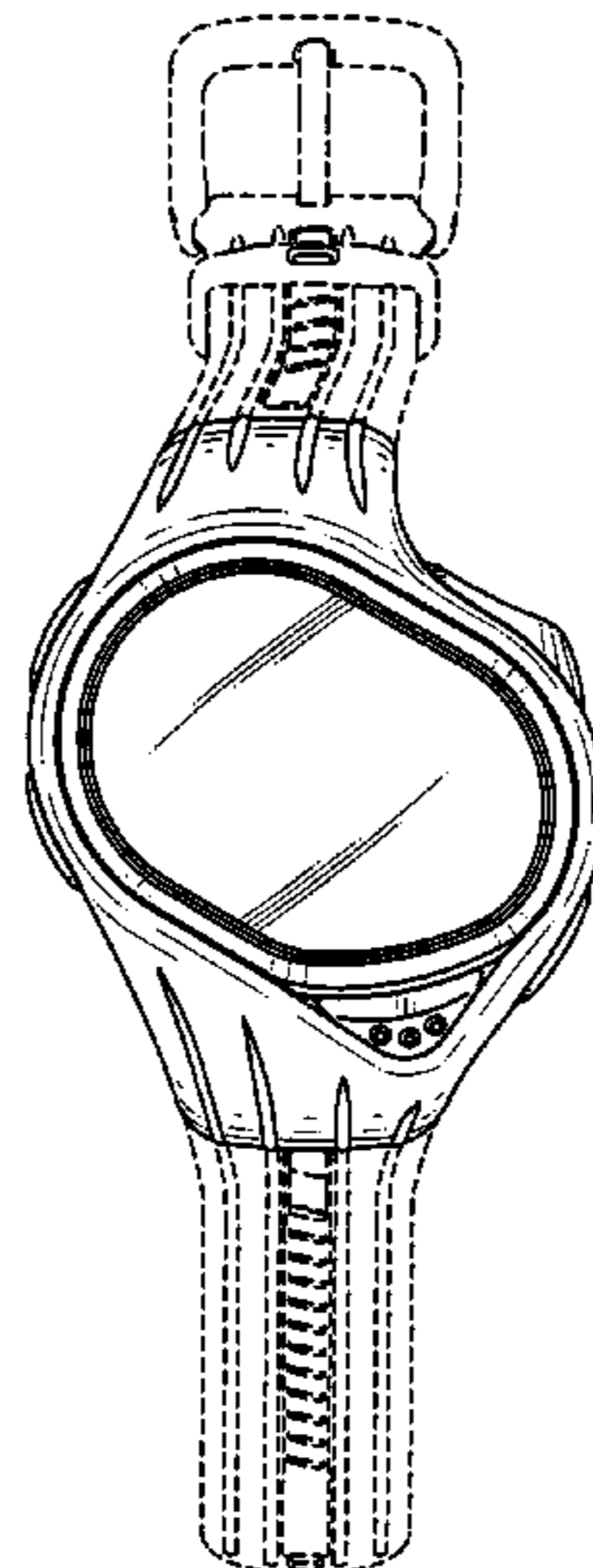


FIG. 1

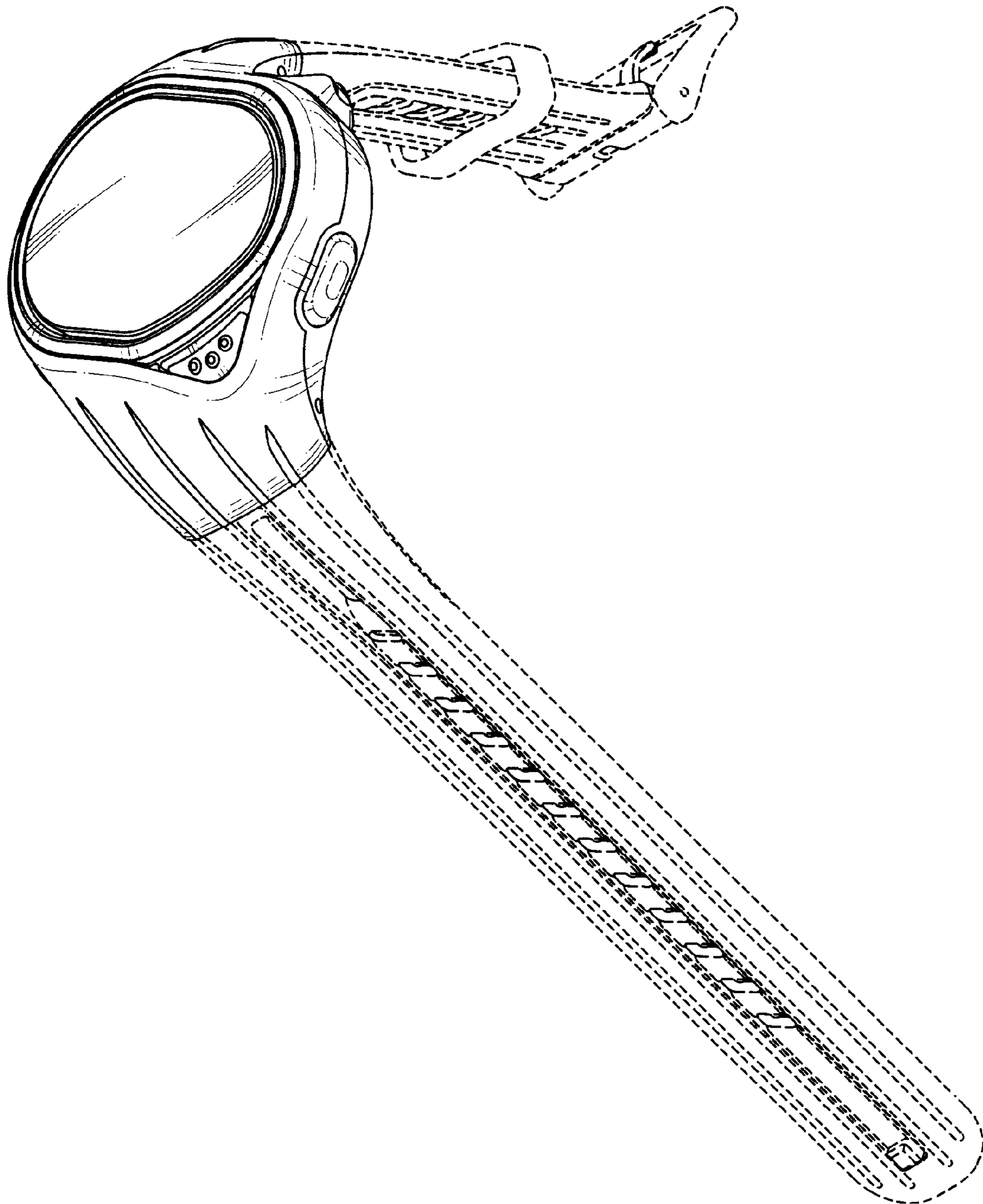


FIG.2

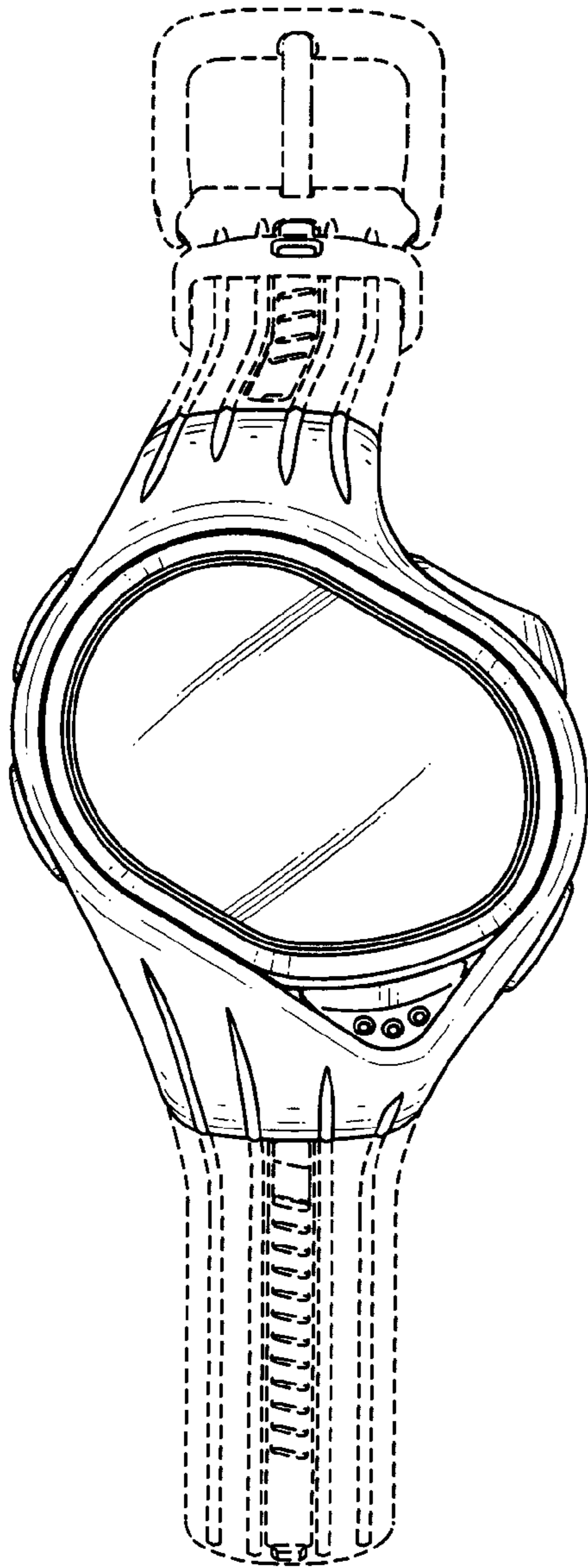


FIG.3

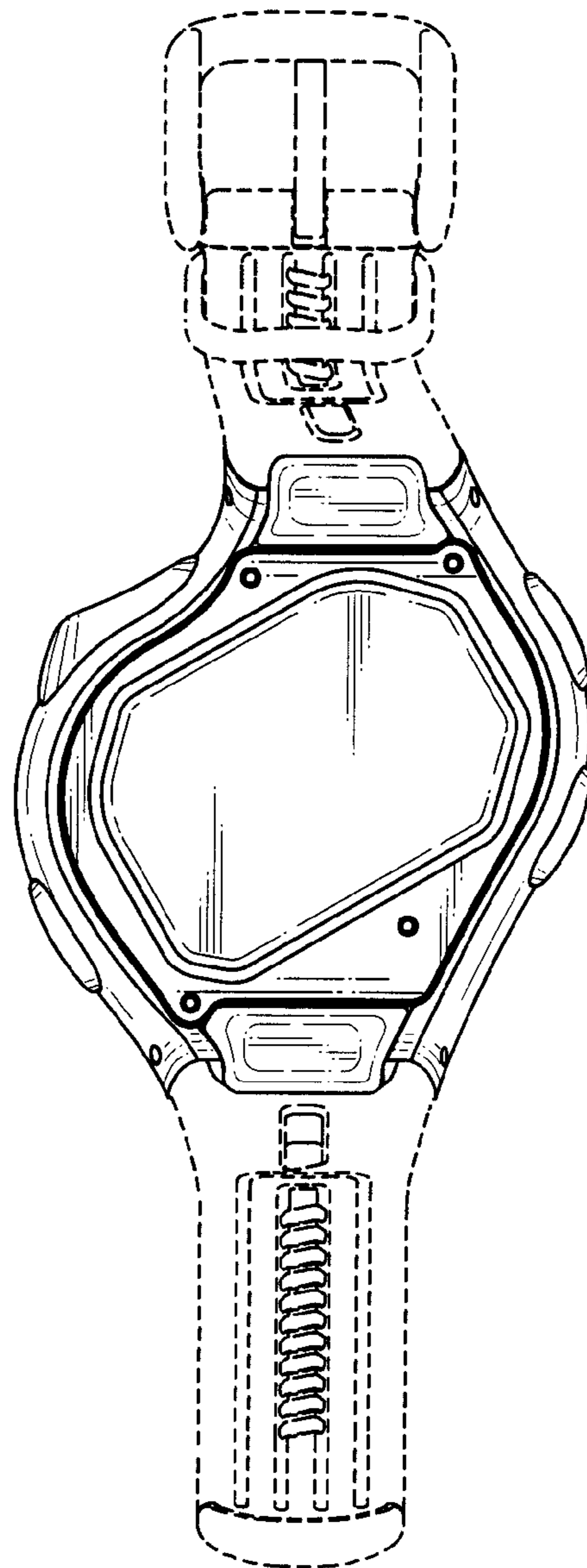


FIG.4

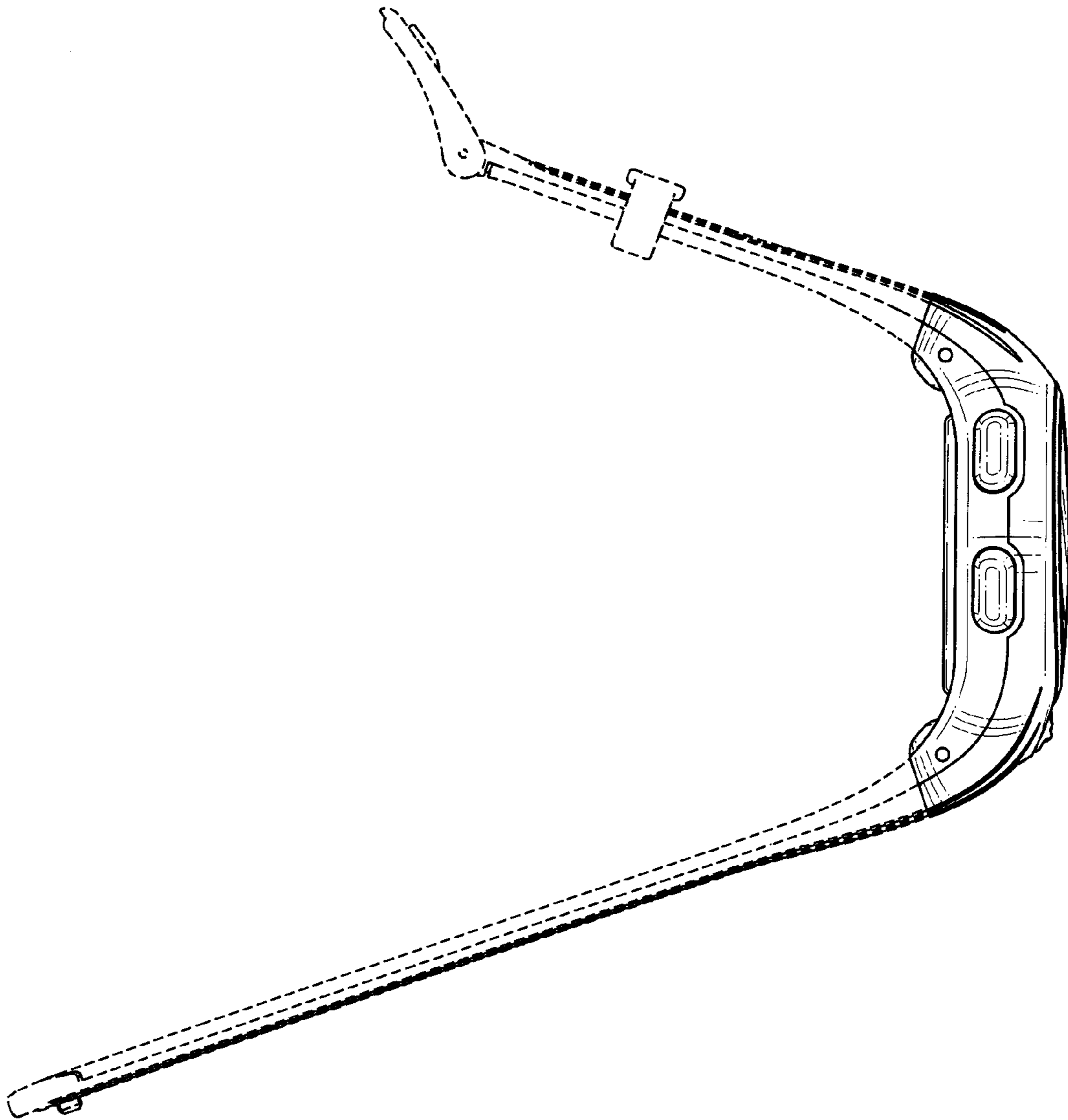




FIG.5

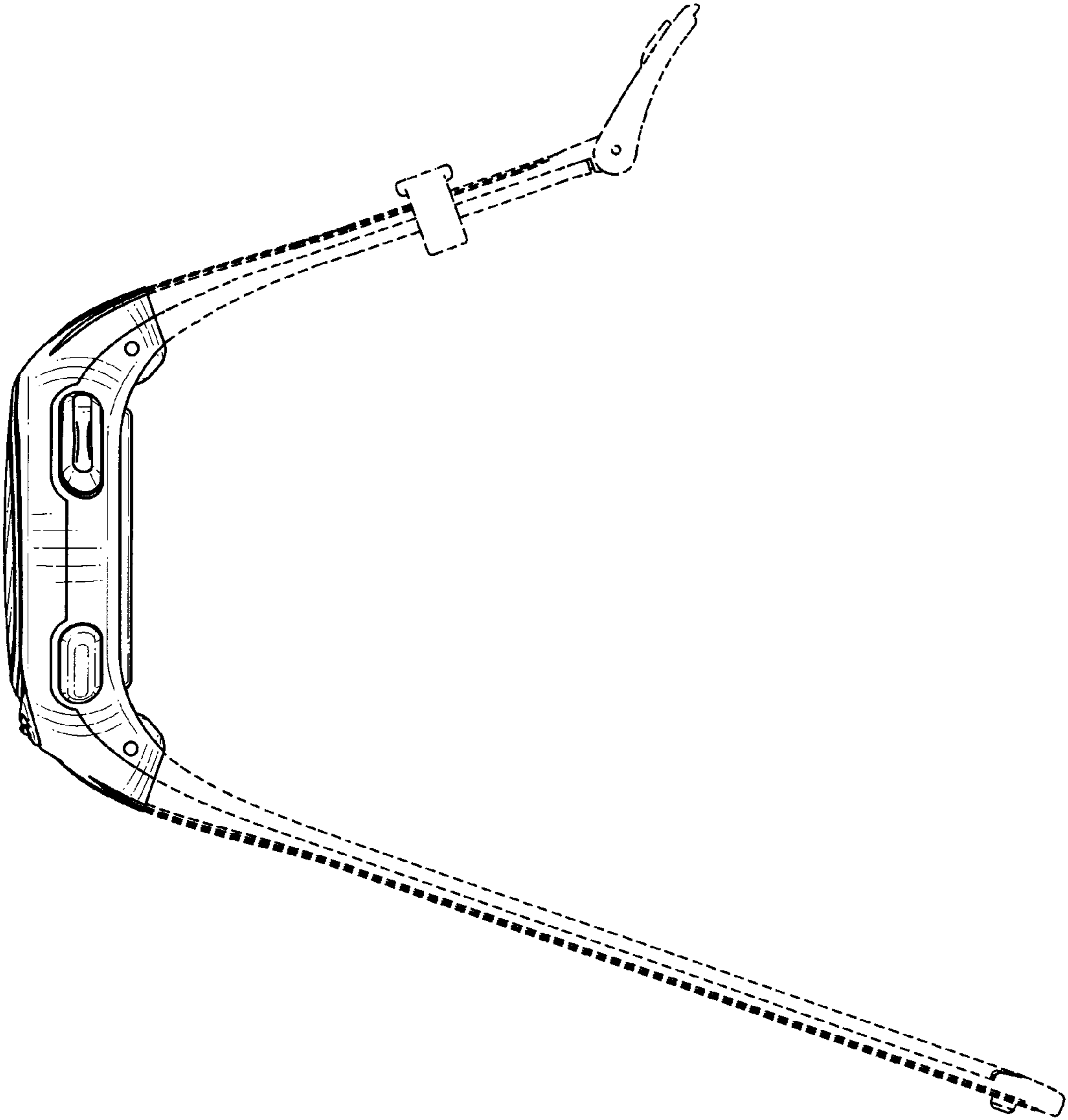


FIG.6

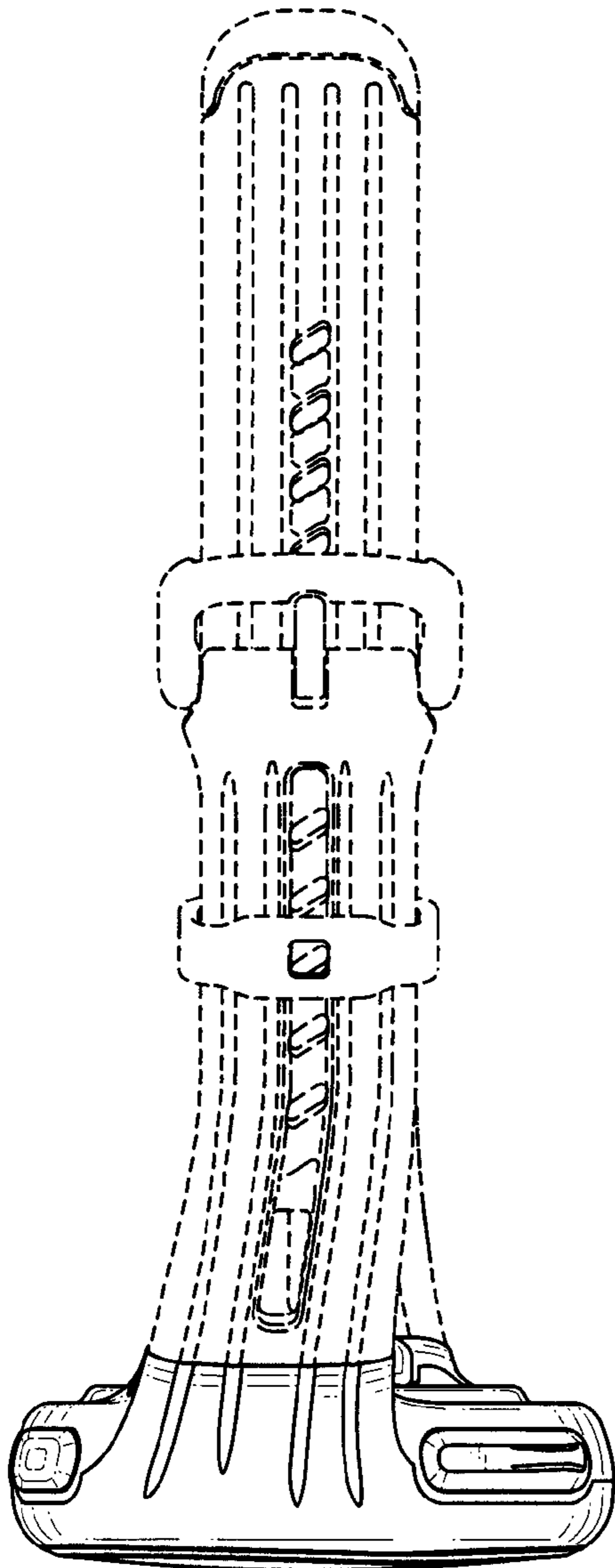


FIG.7

