

US00D626432S

(12) **United States Design Patent**
Luciano et al.

(10) **Patent No.:** **US D626,432 S**

(45) **Date of Patent:** **** Nov. 2, 2010**

(54) **SPIRAL PACKAGE**

(75) Inventors: **Lawrence Luciano**, Somerville, NJ
(US); **Leon A. Marucchi**, Annandale, NJ
(US)

(73) Assignee: **Edge Medical Properties, LLC**, Reno,
NV (US)

(**) Term: **14 Years**

(21) Appl. No.: **29/335,078**

(22) Filed: **Apr. 8, 2009**

(51) **LOC (9) Cl.** **09-01**

(52) **U.S. Cl.** **D9/731**

(58) **Field of Classification Search** D9/414,
D9/417, 428, 730, 731, 732; D19/75, 76,
D19/78, 86, 89, 91; D6/512-518, 524; D3/201,
D3/302; 221/9-14, 30, 33-41, 45, 47-49;
229/110, 129.1, 207, 925

See application file for complete search history.

(56) **References Cited**

U.S. PATENT DOCUMENTS

3,743,085	A *	7/1973	Richert	206/534
D328,703	S *	8/1992	Klumpyan	D3/203.4
D341,777	S *	11/1993	Sheu	D9/415
D380,378	S *	7/1997	Wood	D9/731
D608,220	S *	1/2010	Gaa et al.	D9/730
D609,118	S *	2/2010	Woodworth	D9/730

2009/0294323	A1 *	12/2009	Luciano et al.	206/534
2010/0089936	A1 *	4/2010	Luciano et al.	221/1
2010/0089937	A1 *	4/2010	Luciano et al.	221/1

* cited by examiner

Primary Examiner—Daniel D Bui

Assistant Examiner—Thomas J Johannes

(74) *Attorney, Agent, or Firm*—Michael A. Kerr; Kerr IP
Group, LLC

(57) **CLAIM**

We claim the ornamental design for a spiral package, as
shown and described.

DESCRIPTION

FIG. 1 is a front, left perspective view of a spiral package
showing our new design;

FIG. 2 is a left side view thereof;

FIG. 3 is a right side view thereof;

FIG. 4 is a front side view thereof;

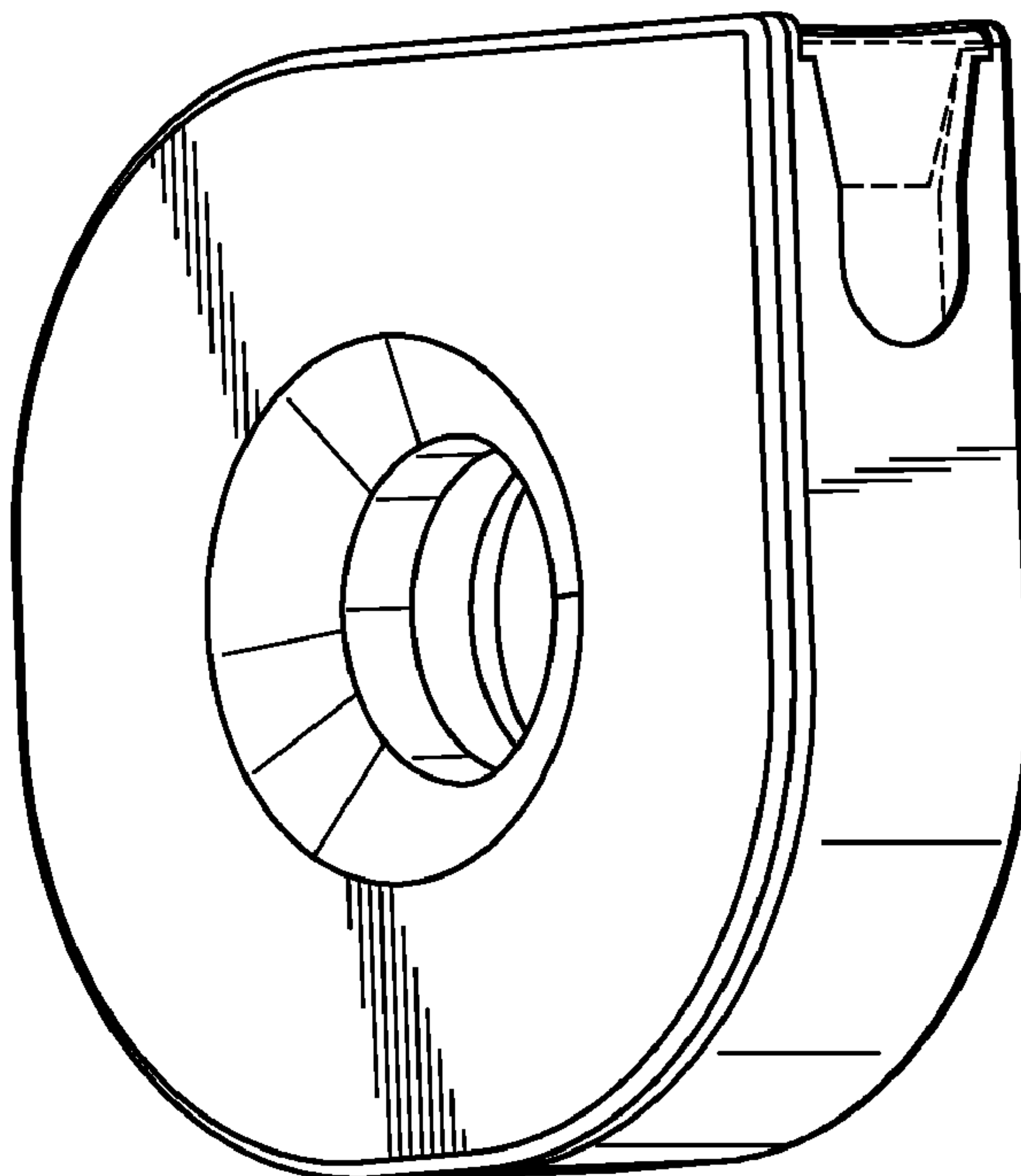
FIG. 5 is a top plan view thereof;

FIG. 6 is a bottom view thereof; and,

FIG. 7 is a rear side view thereof.

The broken line portion of the figure drawings is included to
show unclaimed subject matter only and forms no part of the
claimed design.

1 Claim, 2 Drawing Sheets



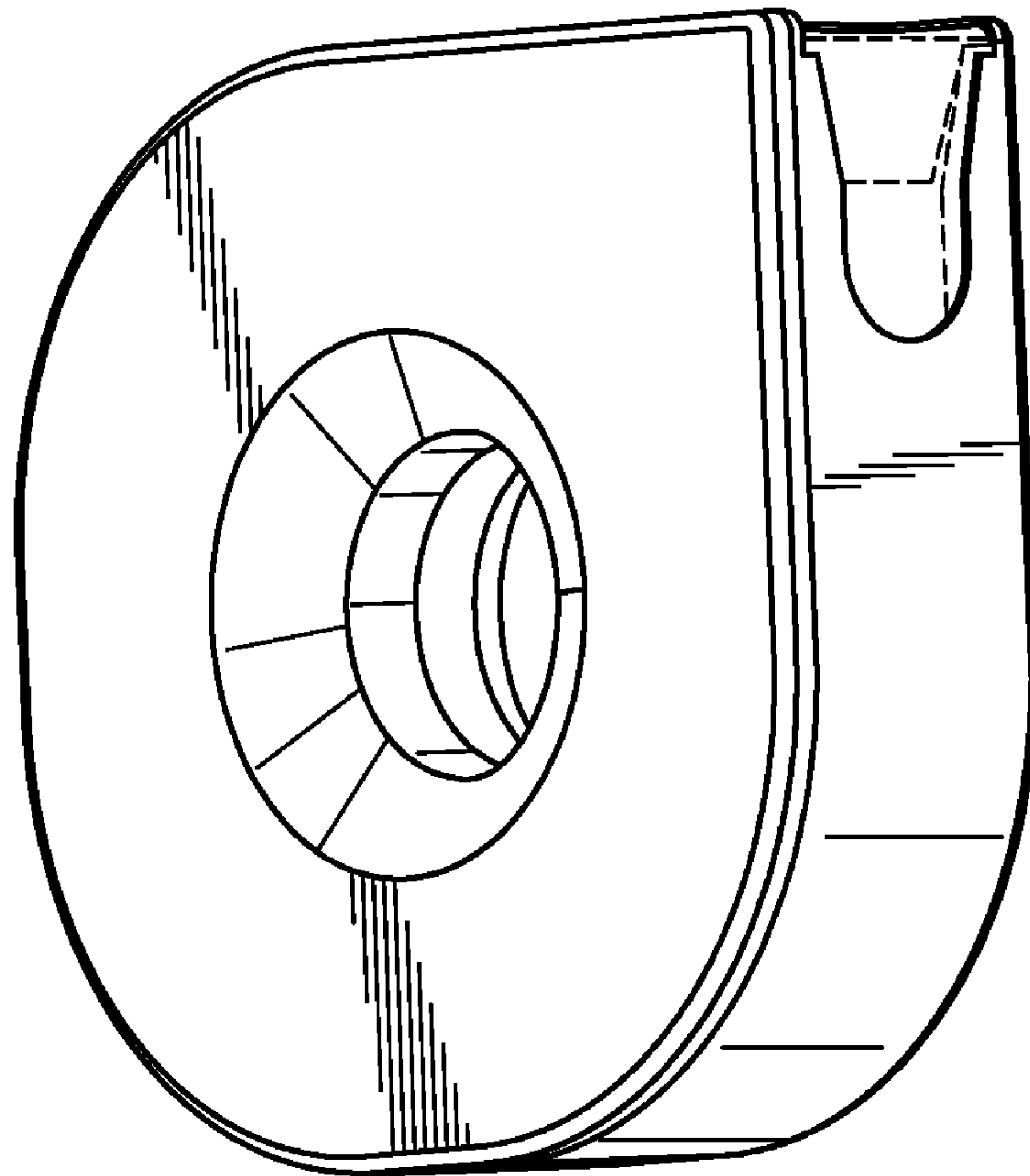


FIG. 1

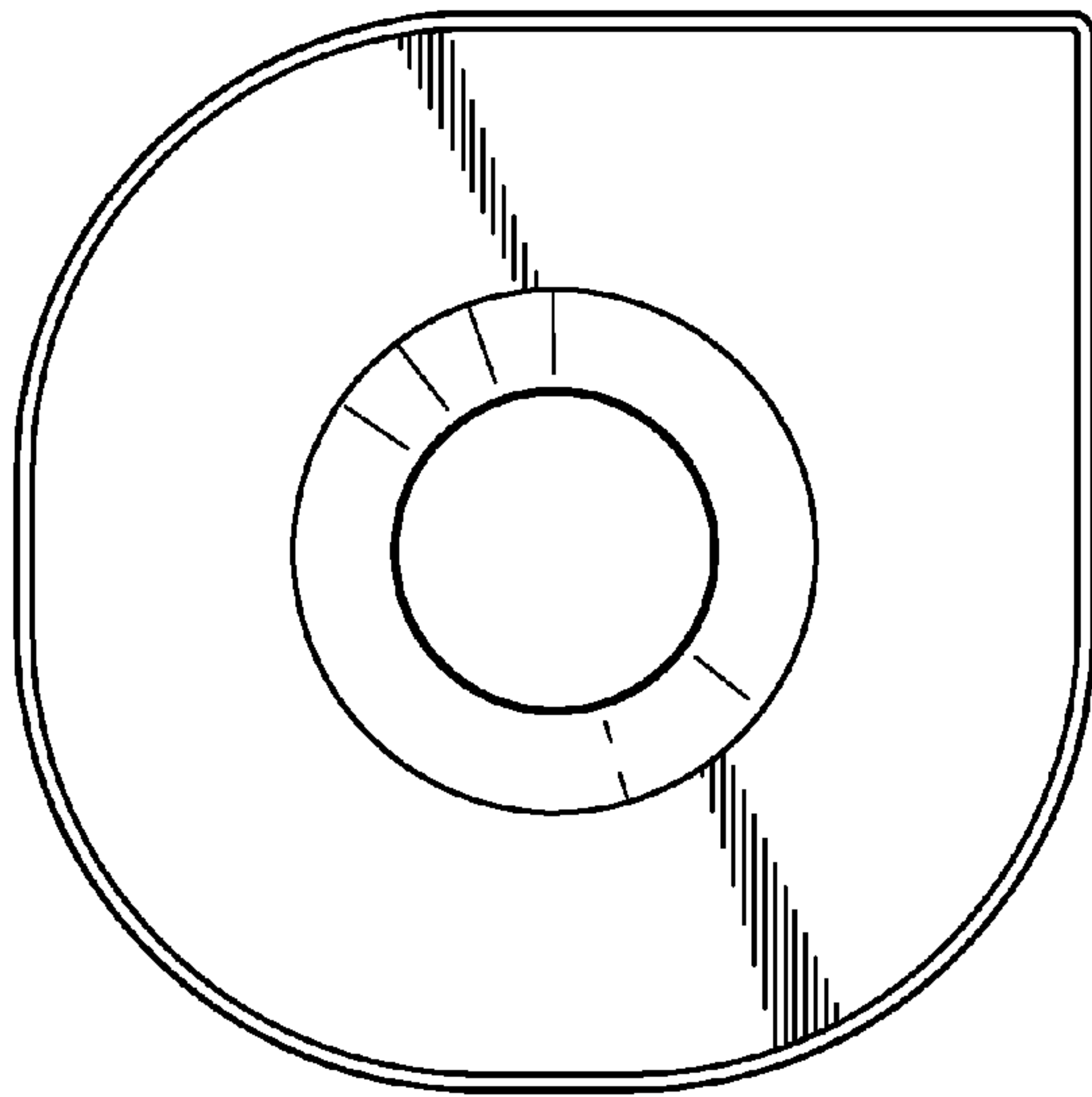


FIG. 2

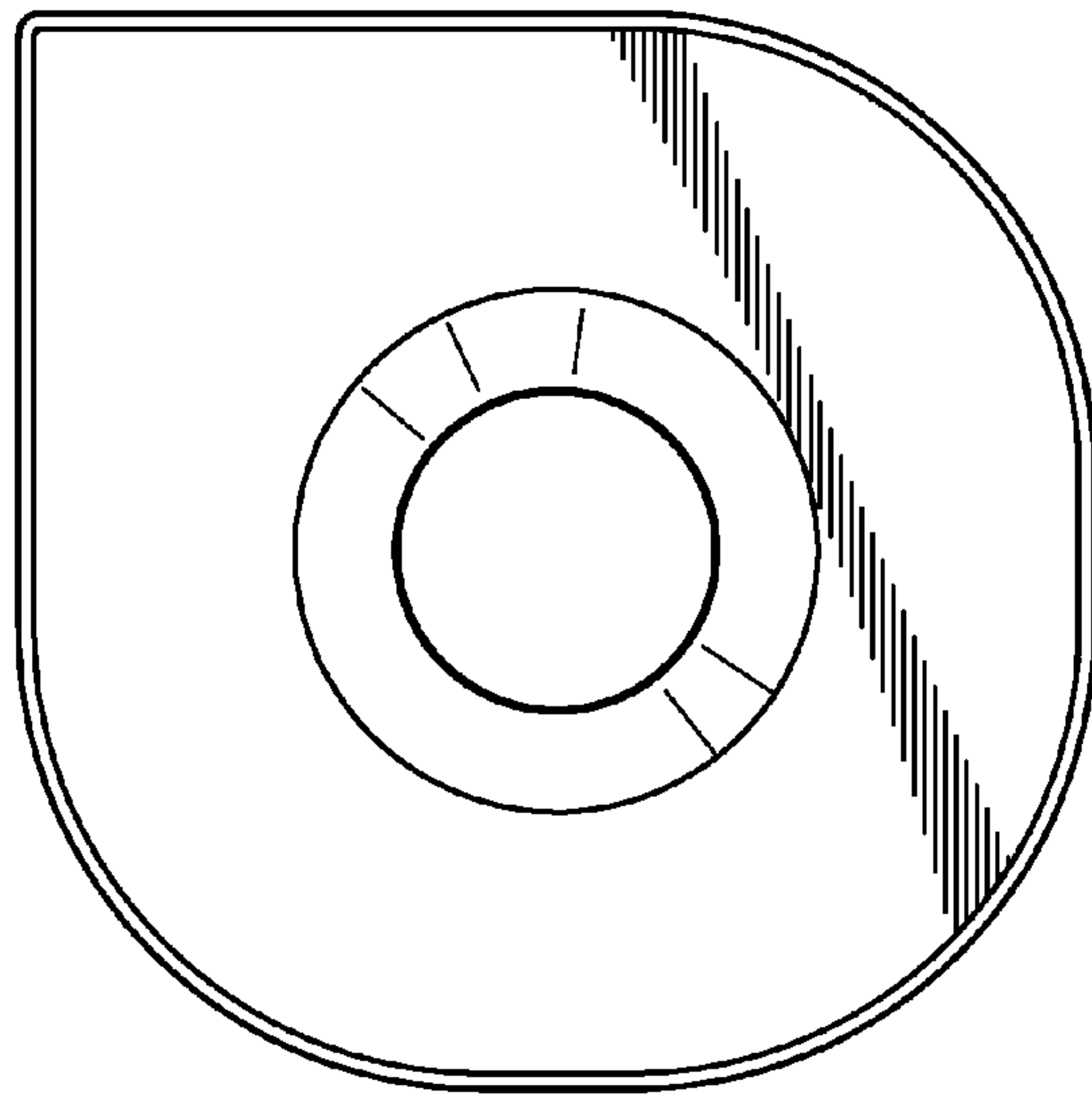


FIG. 3

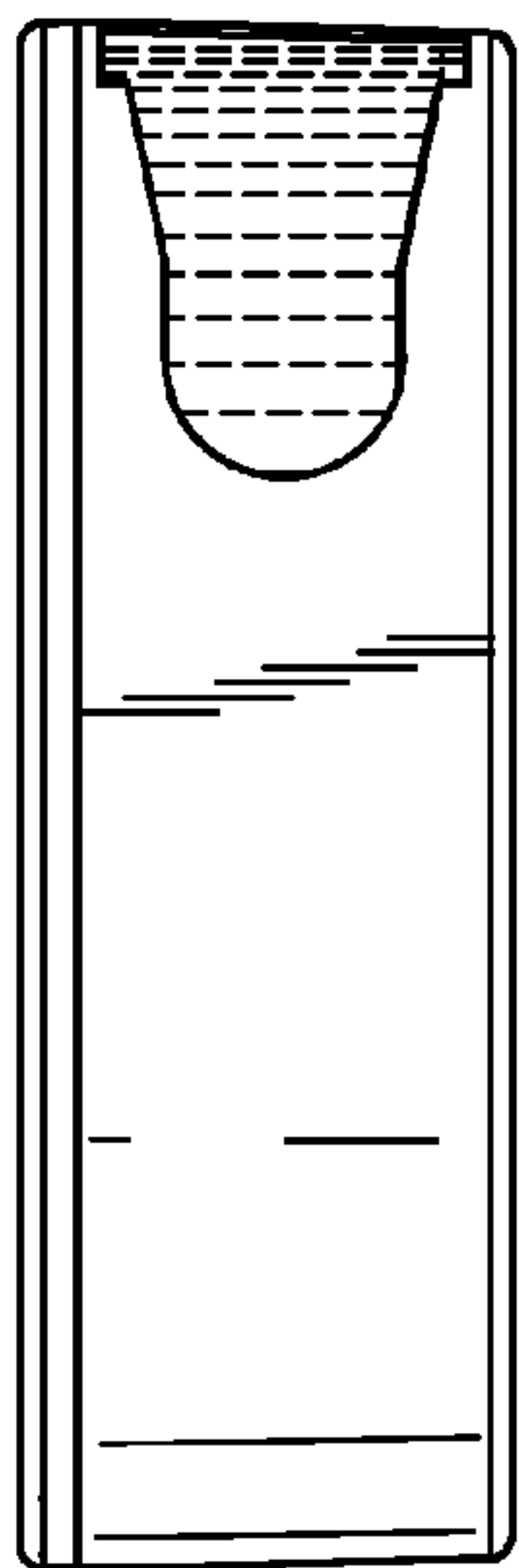


FIG. 4

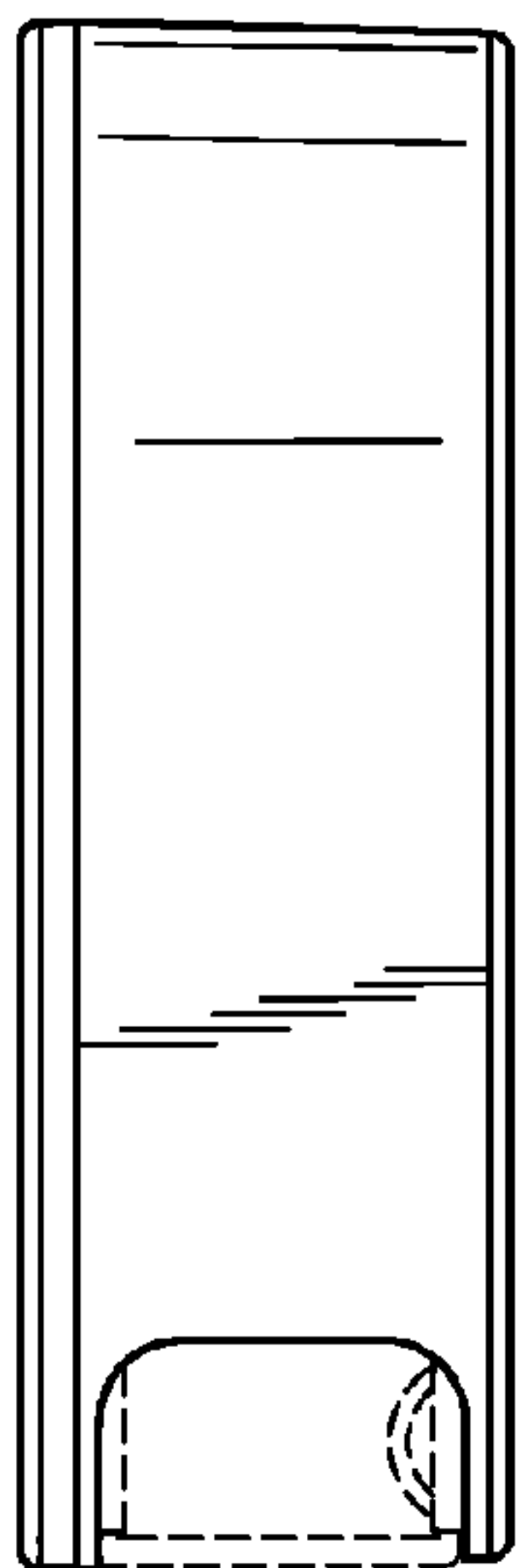


FIG. 5

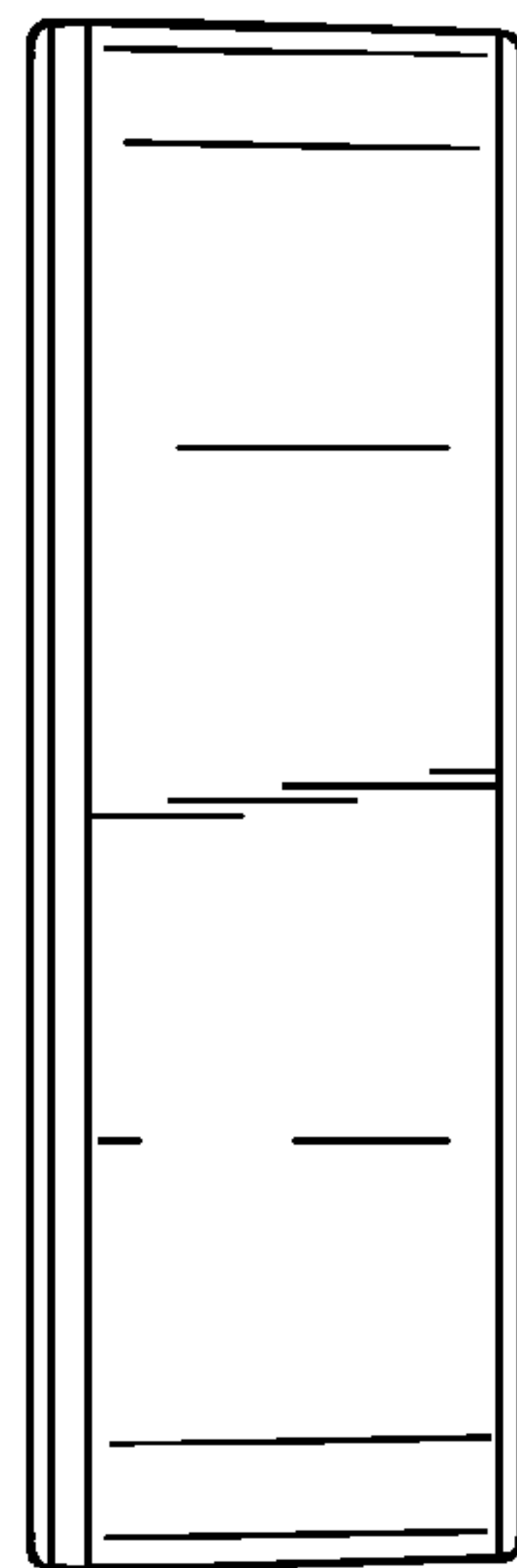


FIG. 6

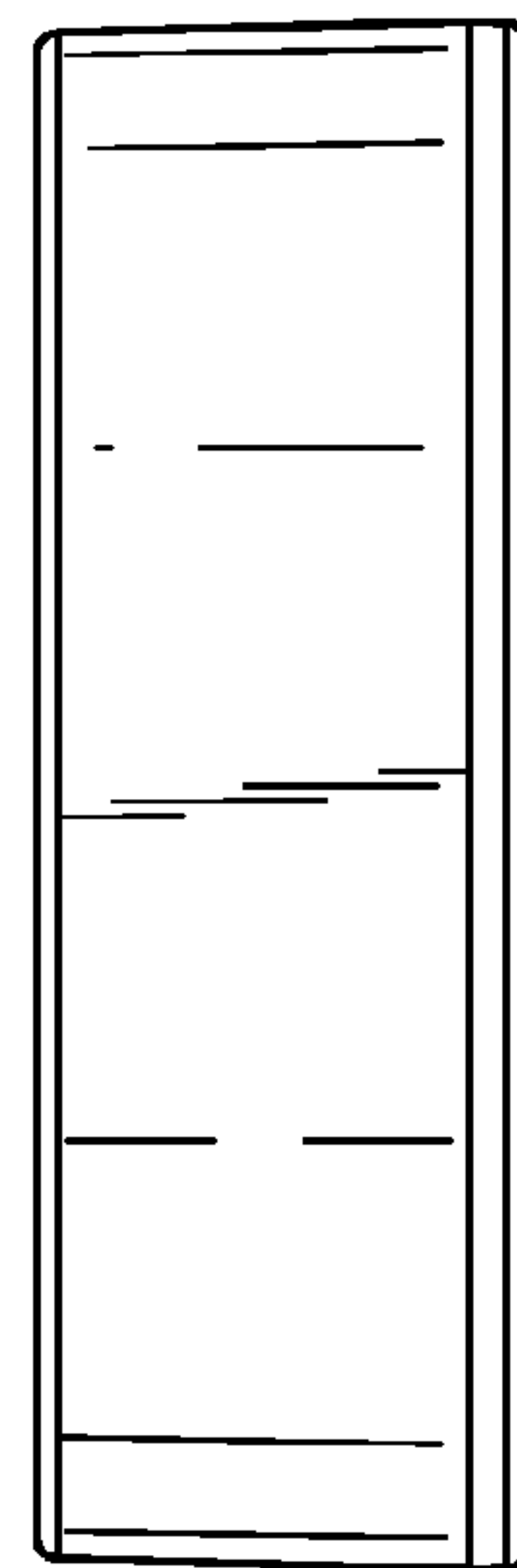


FIG. 7