



US00D626415S

(12) **United States Design Patent**  
**Kolano**

(10) **Patent No.:** **US D626,415 S**

(45) **Date of Patent:** **\*\* Nov. 2, 2010**

(54) **CONTAINER FOR HERBS**

(75) Inventor: **William Kolano**, Pittsburg, PA (US)

(73) Assignee: **Hutzler Manufacturing Co., Inc.**,  
Canaan, CT (US)

(\*\*) Term: **14 Years**

(21) Appl. No.: **29/333,962**

(22) Filed: **Mar. 18, 2009**

(51) **LOC (9) Cl.** ..... **09-01**

(52) **U.S. Cl.** ..... **D9/503**

(58) **Field of Classification Search** ..... D9/428,  
D9/500, 502-505, 521, 516, 549, 557-558,  
D9/682, 686, 688, 690, 692; D7/509-511,  
D7/601-602, 605, 608, 629; D11/143-144,  
D11/152, 164; 215/11.1, 379, 381-382;  
220/660, 662, 665, 669-673, 675, 677, 680;  
206/423

See application file for complete search history.

(56) **References Cited**

**U.S. PATENT DOCUMENTS**

2,328,543 A \* 9/1943 Bauman ..... 206/499  
D234,188 S \* 1/1975 Otis ..... D9/428  
D239,920 S \* 5/1976 Floren ..... D9/428  
D261,233 S \* 10/1981 Green ..... D9/777

D278,600 S \* 4/1985 Fortuna ..... D9/556  
D283,678 S \* 5/1986 Fortuna et al. .... D9/556  
D289,143 S \* 4/1987 Guillaume ..... D9/501  
D291,968 S \* 9/1987 MacLaughlin ..... D9/777  
D307,868 S \* 5/1990 Van Sumeren ..... D9/428  
D365,758 S \* 1/1996 Zak et al. .... D9/503  
D369,296 S \* 4/1996 Park ..... D9/429  
D517,411 S \* 3/2006 Okimoto ..... D9/504  
D570,687 S \* 6/2008 Kelders et al. .... D9/500

\* cited by examiner

*Primary Examiner*—Ian Simmons

*Assistant Examiner*—Dana L Sipos

(74) *Attorney, Agent, or Firm*—Michael J. Striker

(57) **CLAIM**

The ornamental design for a container for herbs, as shown and described.

**DESCRIPTION**

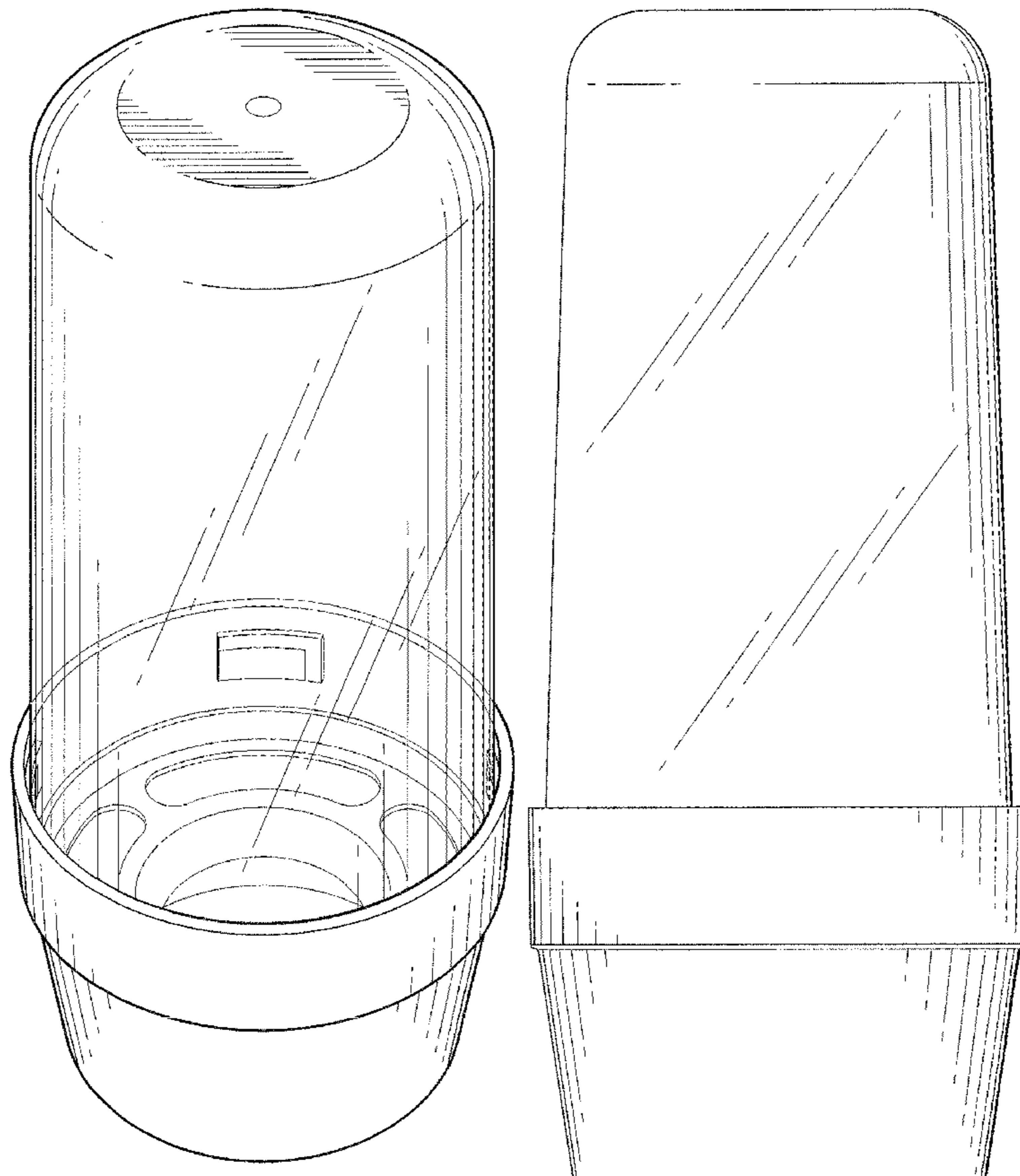
FIG. 1 is a perspective view of a container for herbs showing my new design which is also a mirror image of the opposite side thereof;

FIG. 2 is a side view thereof which is also a mirror image of the opposite side thereof;

FIG. 3 is a top view thereof; and,

FIG. 4 is a bottom view thereof.

**1 Claim, 4 Drawing Sheets**



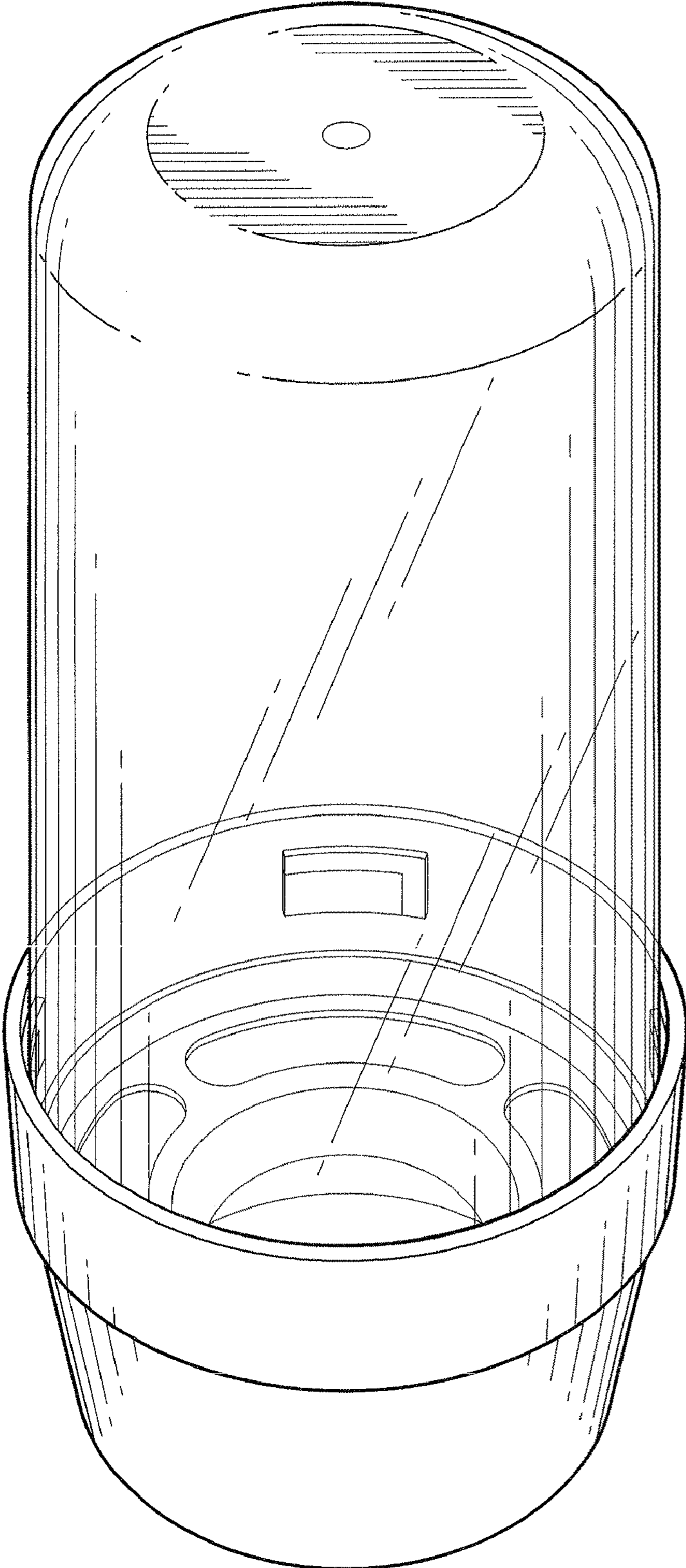


FIG. 1

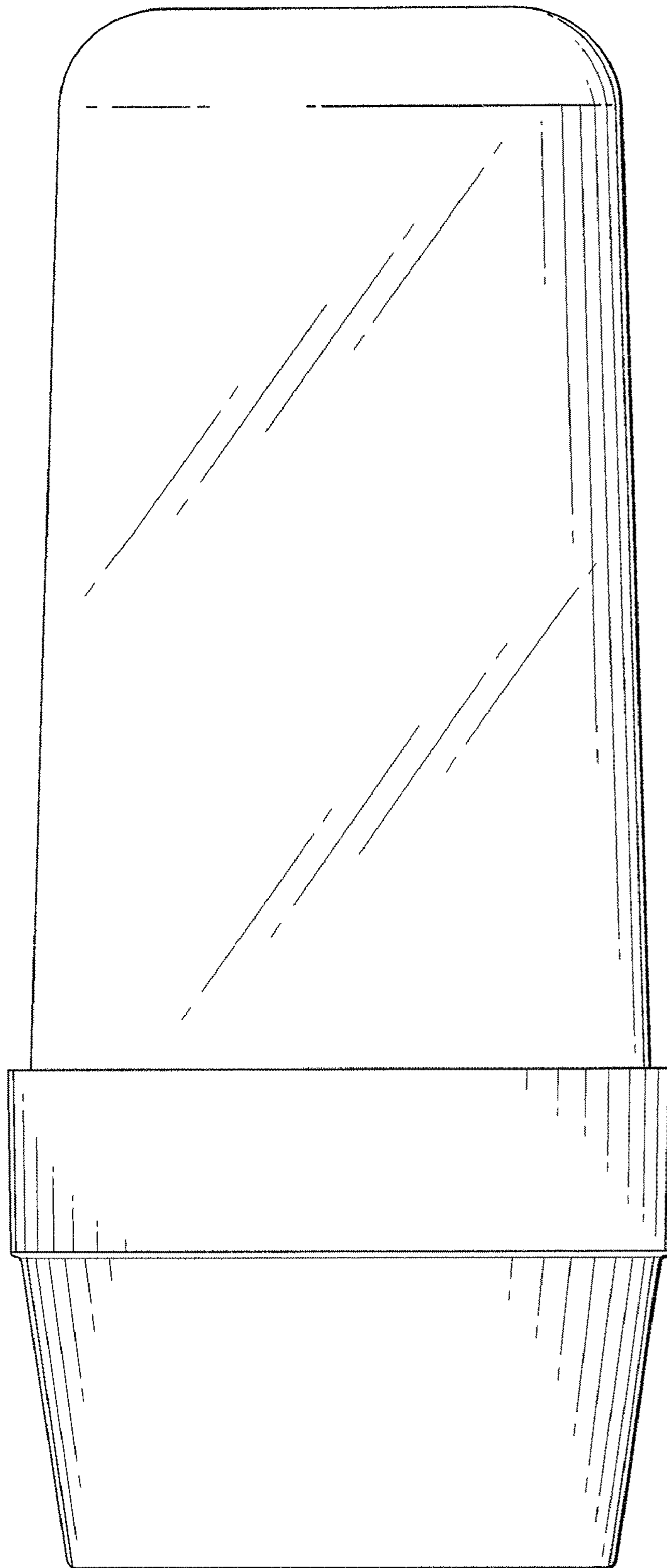


FIG.2



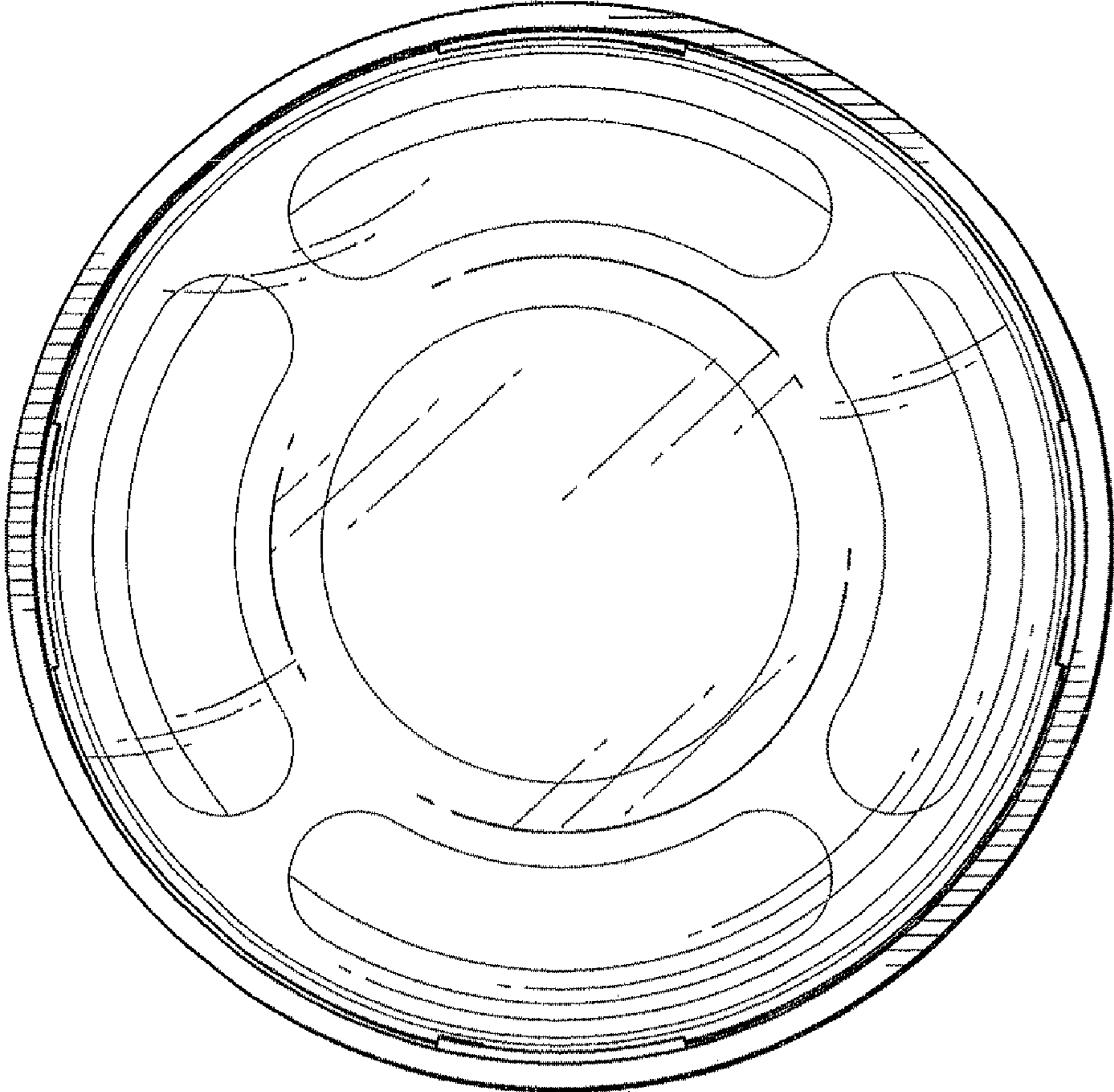


FIG. 3



FIG.4