



US00D626413S

(12) **United States Design Patent**
Lohrman et al.

(10) **Patent No.:** **US D626,413 S**
(45) **Date of Patent:** **** Nov. 2, 2010**

(54) **LID FOR A TWO PIECE DISPENSING CLOSURE**

- (75) Inventors: **Richard D. Lohrman**, Aurora, IL (US);
Richard Gross, Oconomowoc, WI (US)
- (73) Assignee: **Portola Packaging, Inc.**, Batavia, IL (US)
- (**) Term: **14 Years**
- (21) Appl. No.: **29/355,703**
- (22) Filed: **Feb. 12, 2010**

Related U.S. Application Data

- (63) Continuation-in-part of application No. 29/344,607, filed on Oct. 1, 2009, now Pat. No. Des. 612,729.
 - (51) **LOC (9) Cl.** **09-07**
 - (52) **U.S. Cl.** **D9/449**; D9/453; D9/438
 - (58) **Field of Classification Search** D9/529, D9/504, 503, 454, 453, 452, 450, 449, 447, D9/446, 443, 435; D7/900, 396.2, 392.1; 222/556, 544, 494, 480, 472, 321.9, 212, 222/185.1; 220/837, 835, 813, 810, 375, 220/254.5; 215/305, 228, 226, 200
- See application file for complete search history.

(56) **References Cited**

U.S. PATENT DOCUMENTS

D244,356 S * 5/1977 Pardo D9/453

(Continued)

Primary Examiner—Susan Bennett Hattan

(74) *Attorney, Agent, or Firm*—James P. Hanrath; Adam K. Sacharoff

(57) **CLAIM**

The ornamental design for a lid for a two piece dispensing closure, as shown and described.

DESCRIPTION

FIG. 1 is a top perspective view of a lid for a two piece dispensing closure in accordance with the invention shown with a top lid in the closed position;

FIG. 2 is a front view of the lid for a two piece dispensing closure from FIG. 1;

FIG. 3 is a back view of the lid for a two piece dispensing closure from FIG. 1;

FIG. 4 is a right side view of the lid for a two piece dispensing closure from FIG. 1;

FIG. 5 is a left side view of the lid for a two piece dispensing closure from FIG. 1;

FIG. 6 is a top view of the lid for a two piece dispensing closure from FIG. 1;

FIG. 7 is a bottom view of the lid for a two piece dispensing closure from FIG. 1; and

FIG. 8 is a bottom perspective view of the lid for a two piece dispensing closure from FIG. 1.

FIG. 9 is a top perspective view of the lid for a two piece dispensing closure of FIG. 1 shown with the top lid in the opened position;

FIG. 10 is a front view of the lid for a two piece dispensing closure from FIG. 9;

FIG. 11 is a back view of the lid for a two piece dispensing closure from FIG. 9;

FIG. 12 is a right side view of the lid for a two piece dispensing closure from FIG. 9;

FIG. 13 is a left side view of the lid for a two piece dispensing closure from FIG. 9;

FIG. 14 is a top view of the lid for a two piece dispensing closure from FIG. 9;

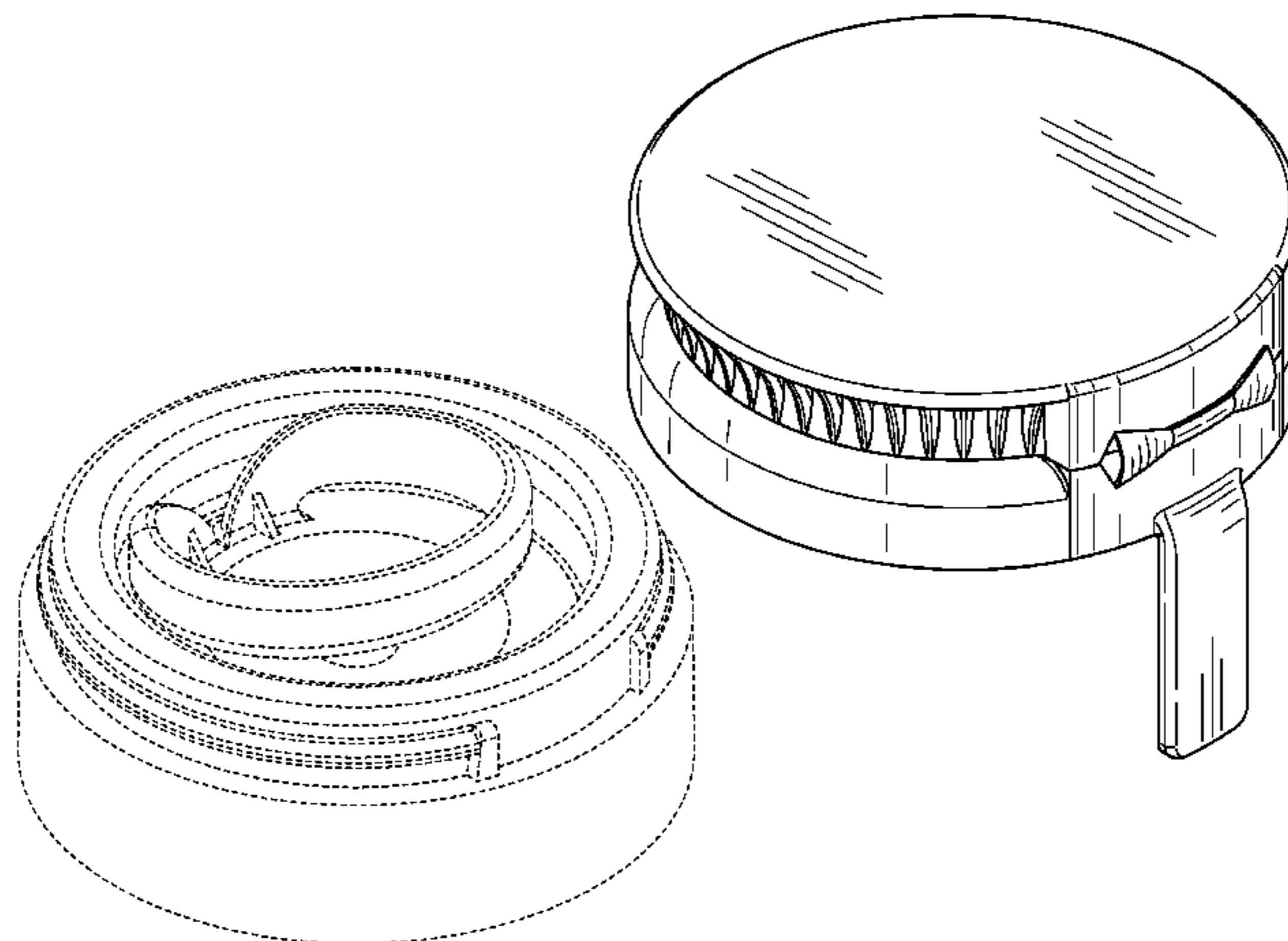
FIG. 15 is a bottom view of the lid for a two piece dispensing closure from FIG. 9;

FIG. 16 is a bottom perspective view of the lid for a two piece dispensing closure from FIG. 9; and,

FIG. 17 is a cross section view of the lid for a two piece dispensing closure from FIG. 9.

The broken line showing of a bottom section of the two-piece dispensing closure is for the purpose of illustrating portions of the environmental structure and forms no part of the claimed design.

1 Claim, 16 Drawing Sheets



US D626,413 S

Page 2

U.S. PATENT DOCUMENTS

D378,803 S *	4/1997	Bolen et al.	D9/449	D604,611 S *	11/2009	Ames et al.	D9/453
D508,853 S *	8/2005	Ziegenhorn et al.	D9/449	D608,198 S *	1/2010	Lohrman et al.	D9/449
D530,612 S *	10/2006	Lohrman et al.	D9/453	D610,454 S *	2/2010	Lohrman et al.	D9/449
D587,580 S *	3/2009	Kane et al.	D9/453	2005/0092750 A1 *	5/2005	Lohrman et al.	220/258.2
D588,915 S *	3/2009	Lohrman et al.	D9/449	2008/0272084 A1 *	11/2008	Lohrman et al.	215/255
				2010/0140268 A1 *	6/2010	Lohrman	220/270

* cited by examiner

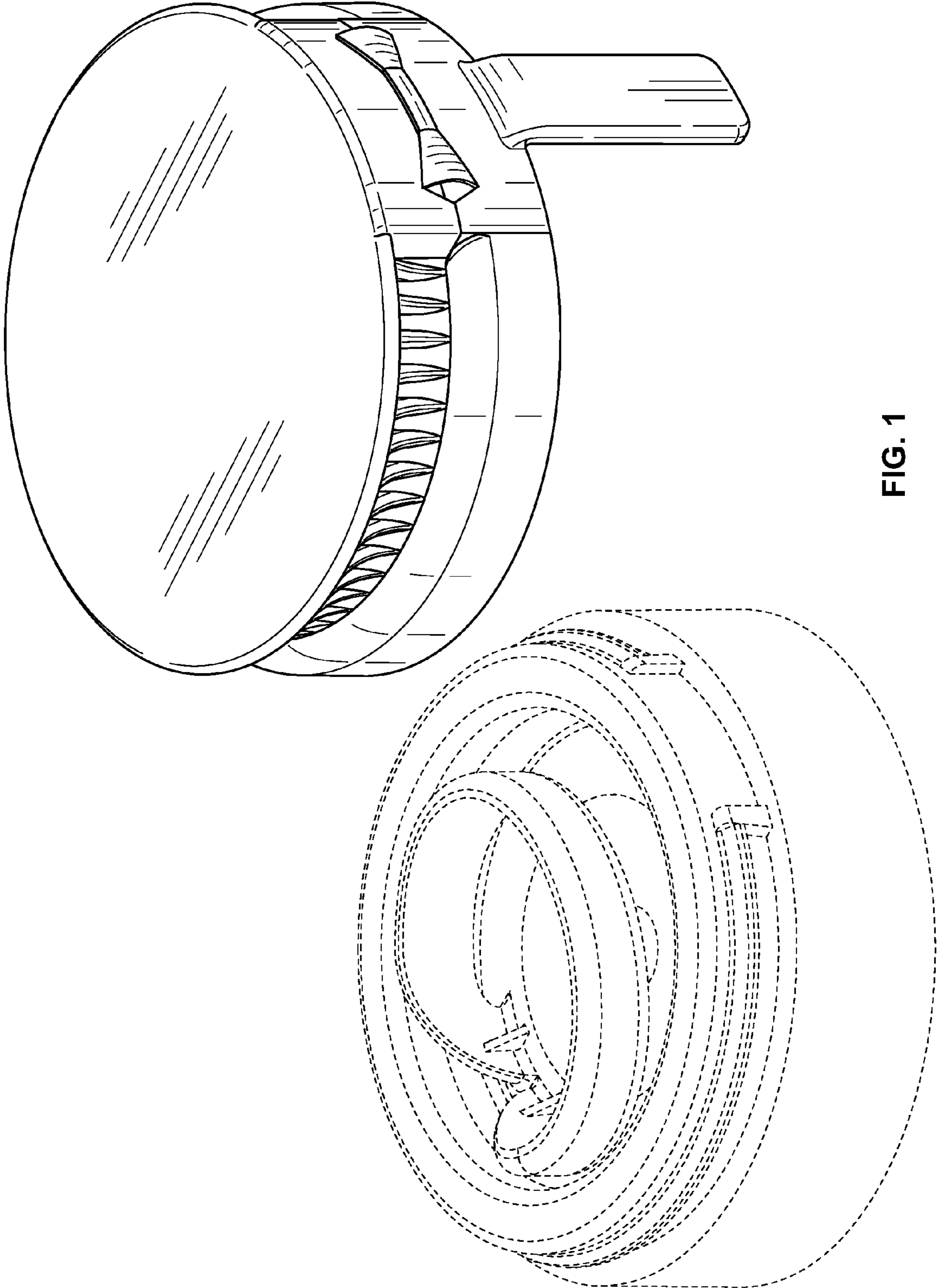


FIG. 1

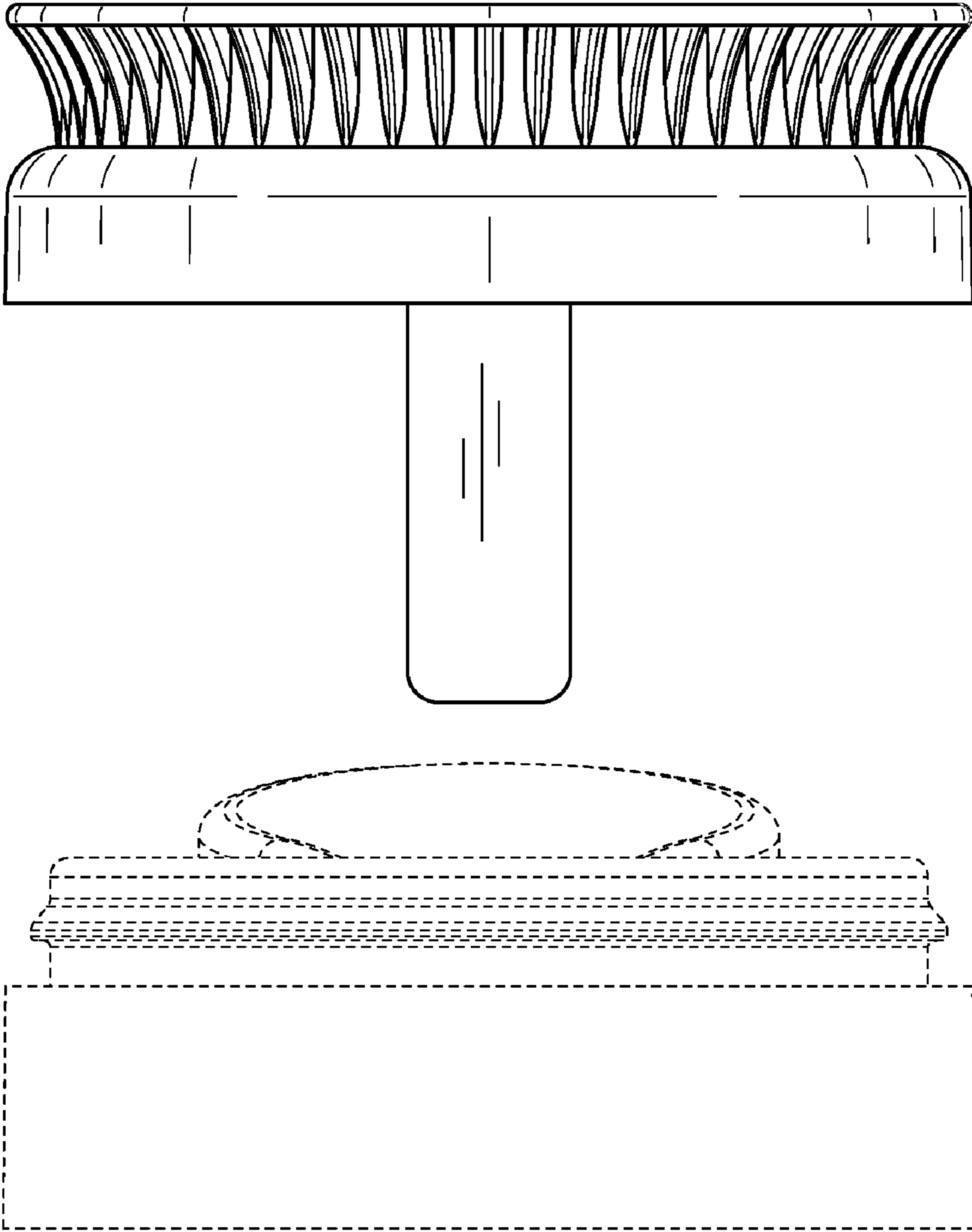


FIG. 2

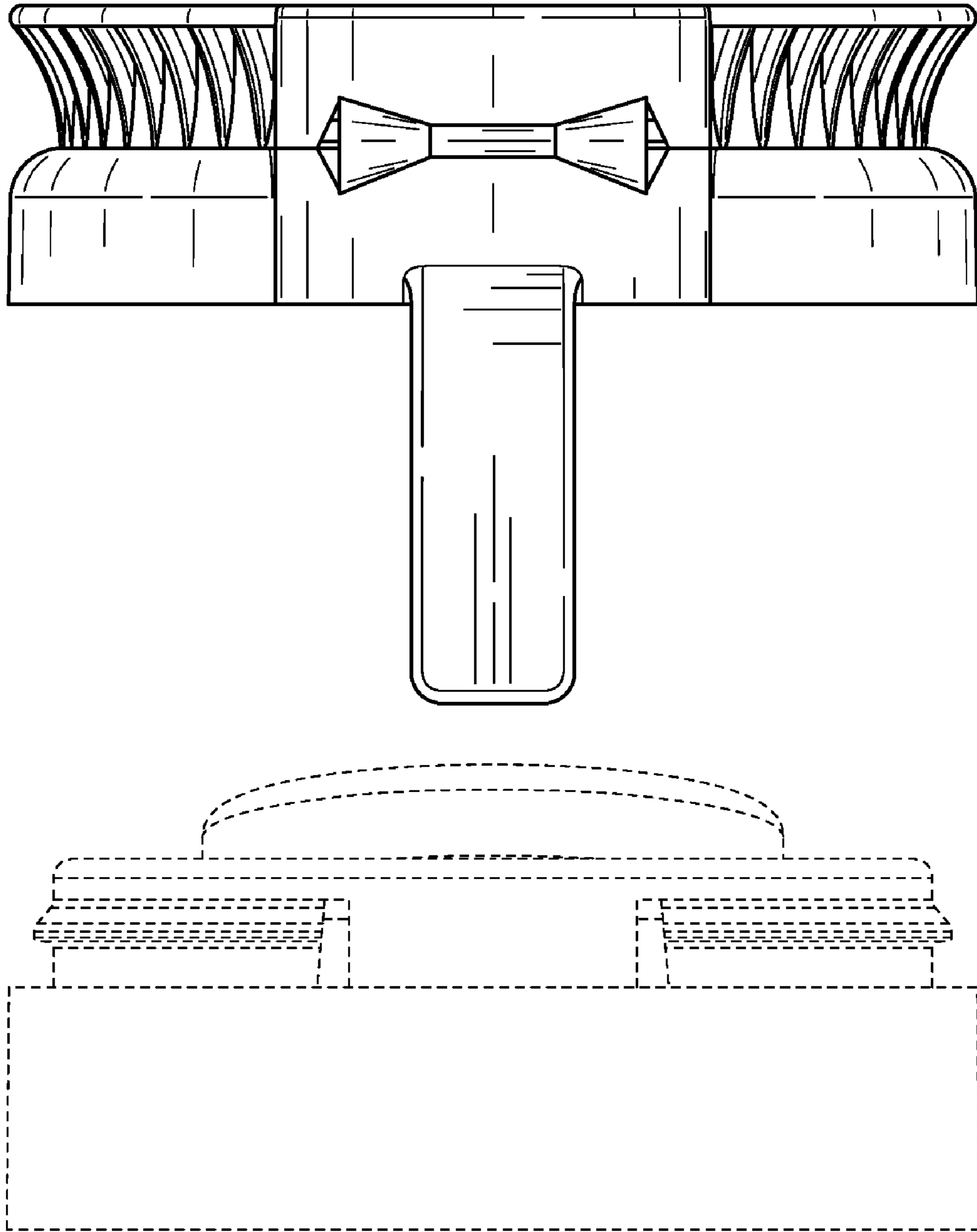


FIG. 3

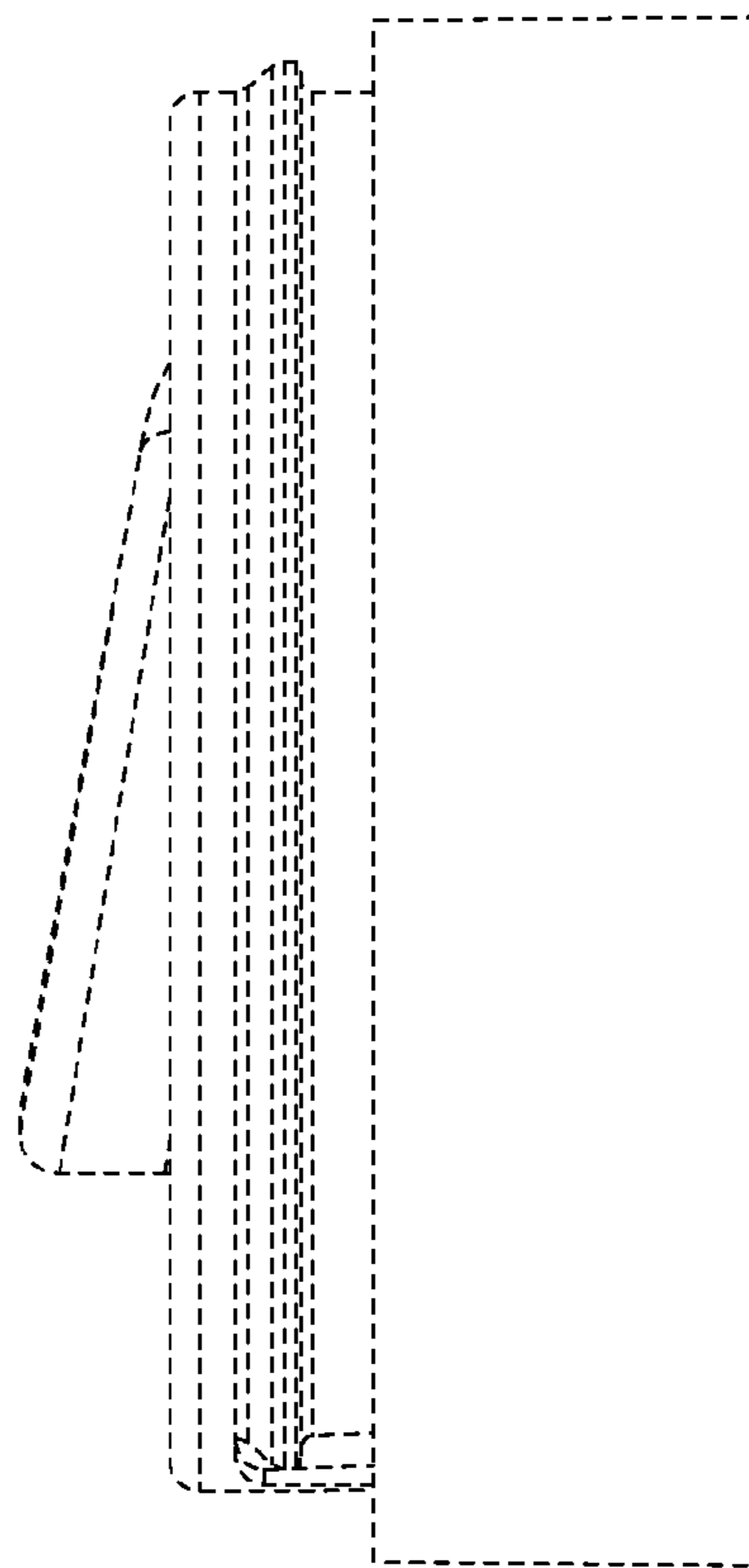
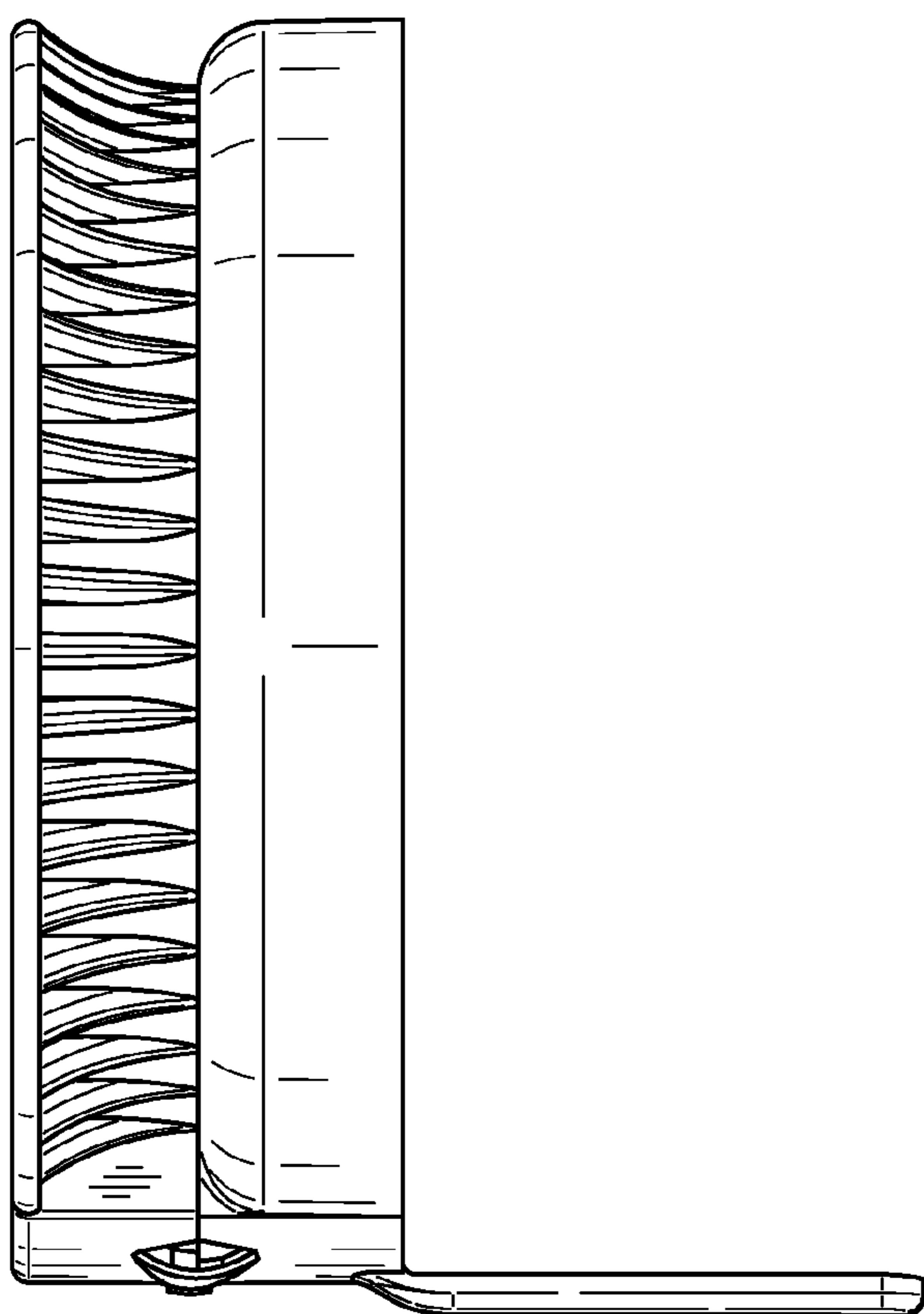


FIG. 4

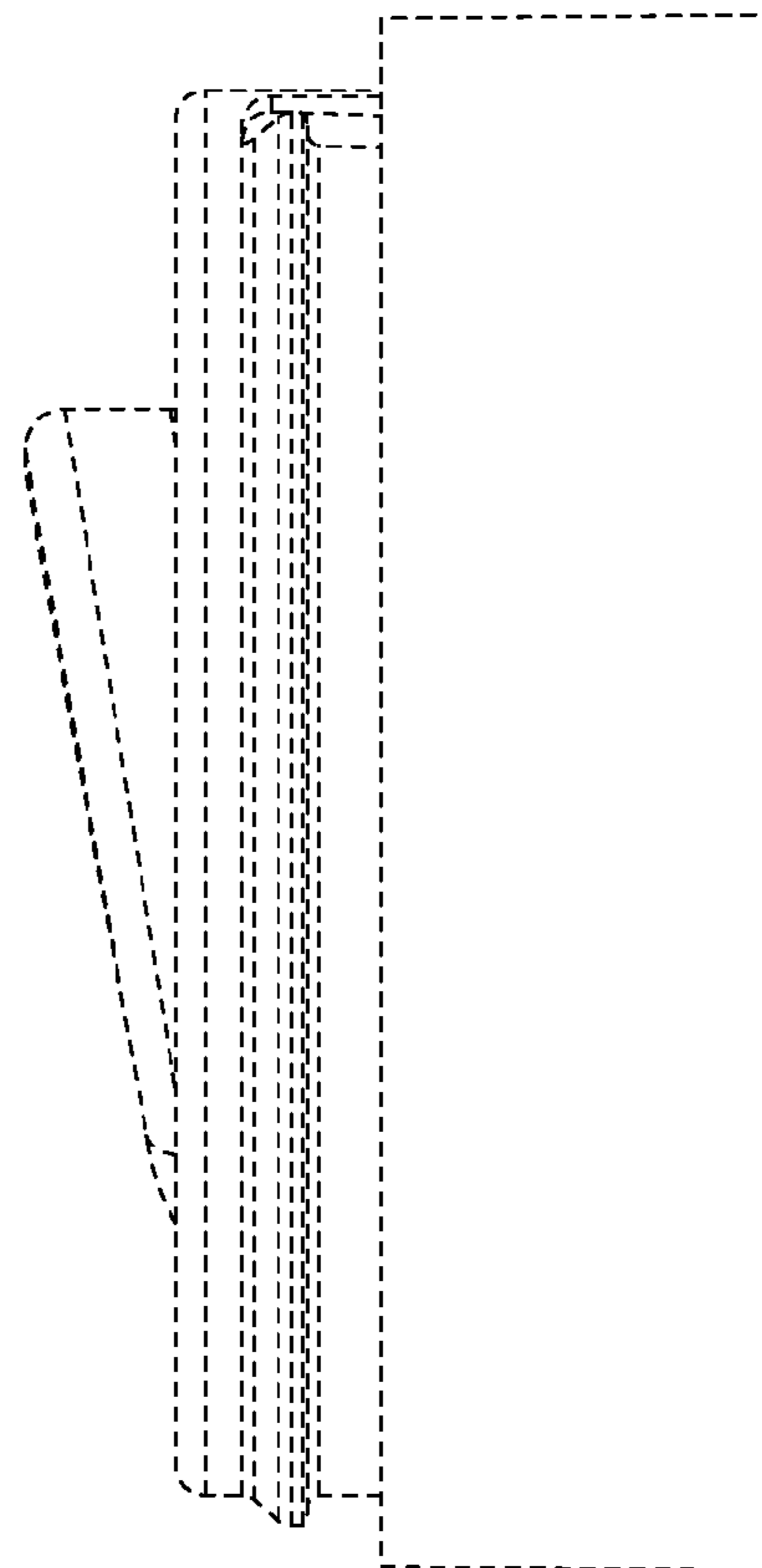
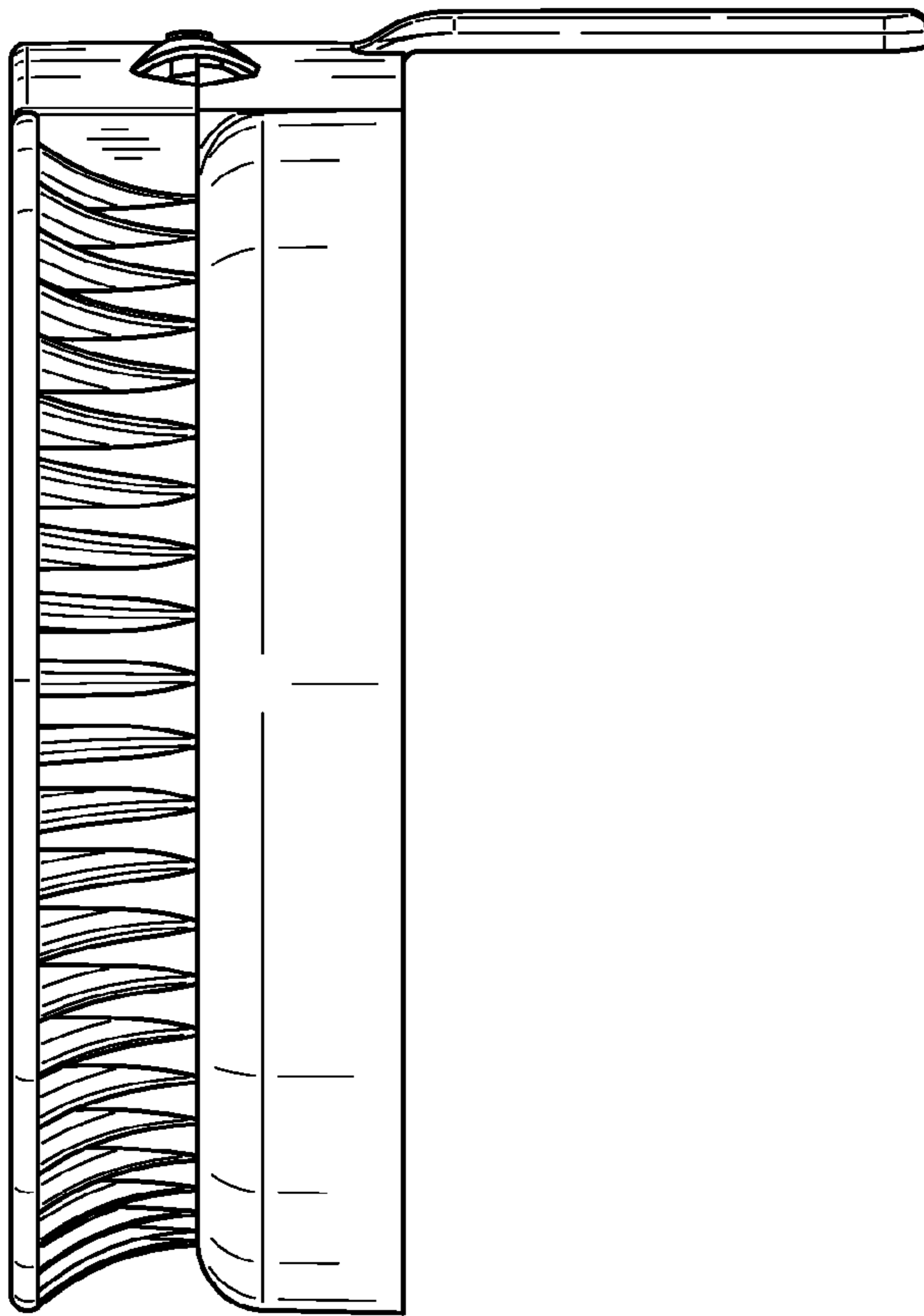


FIG. 5

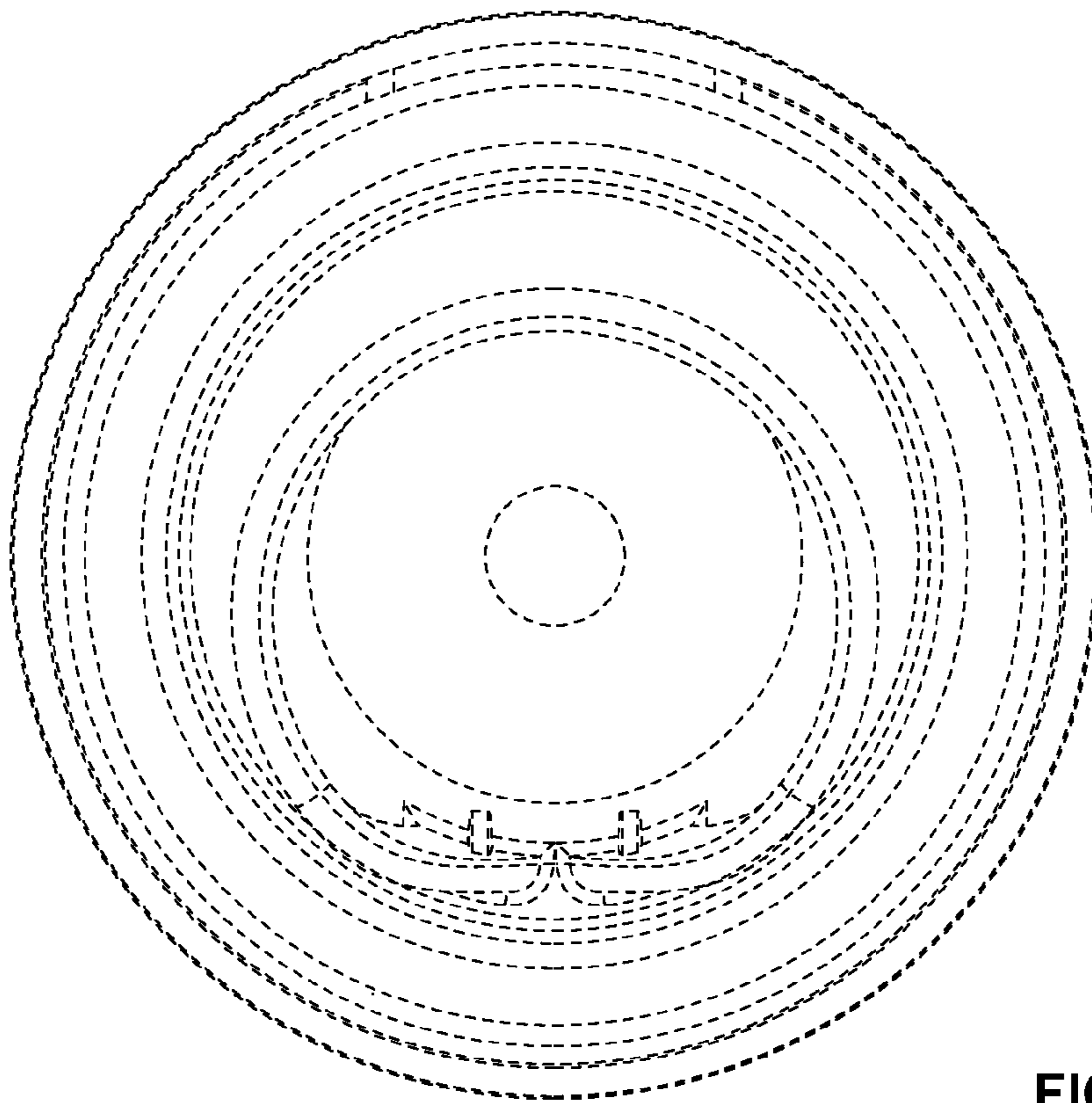
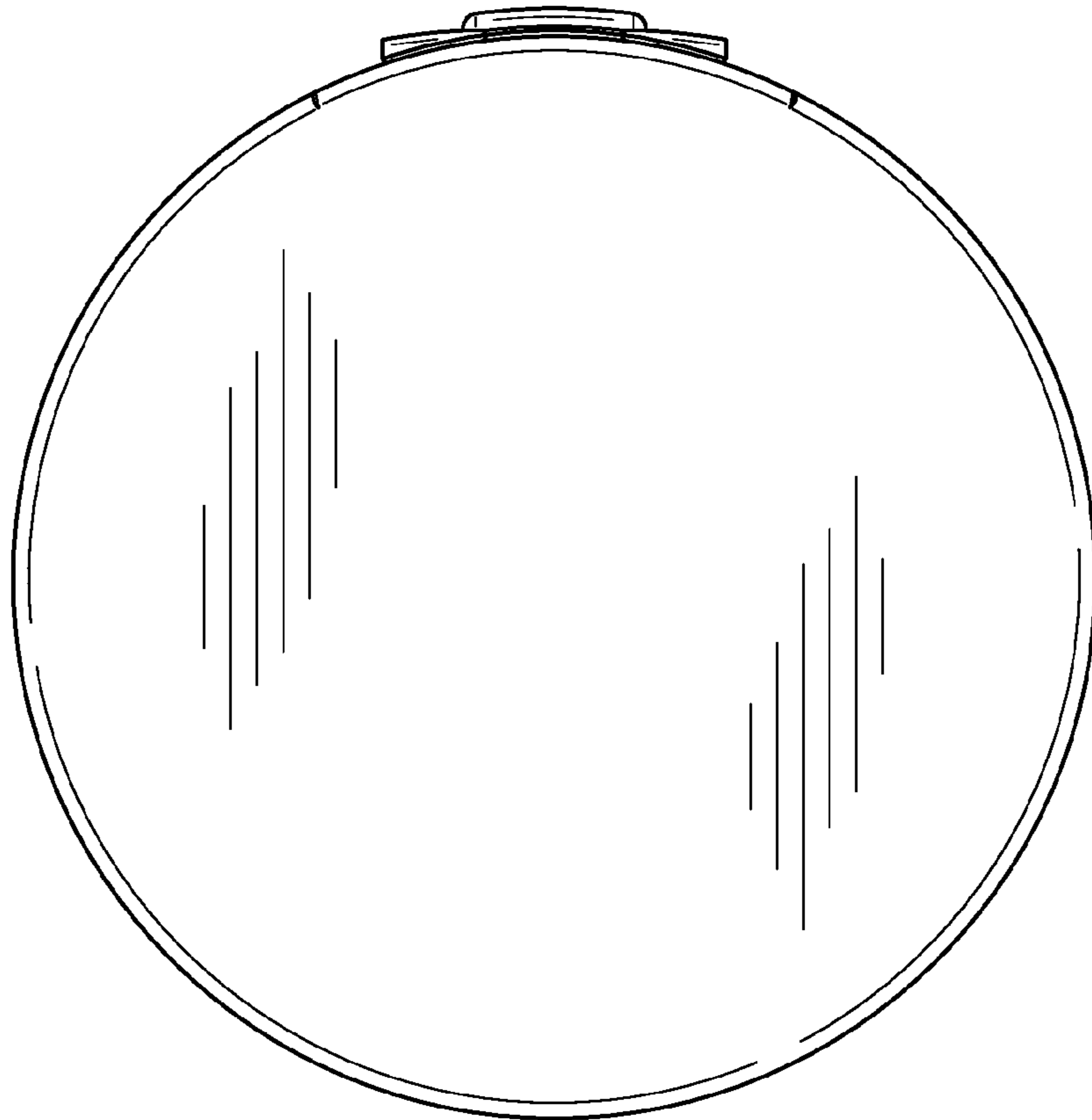


FIG. 6

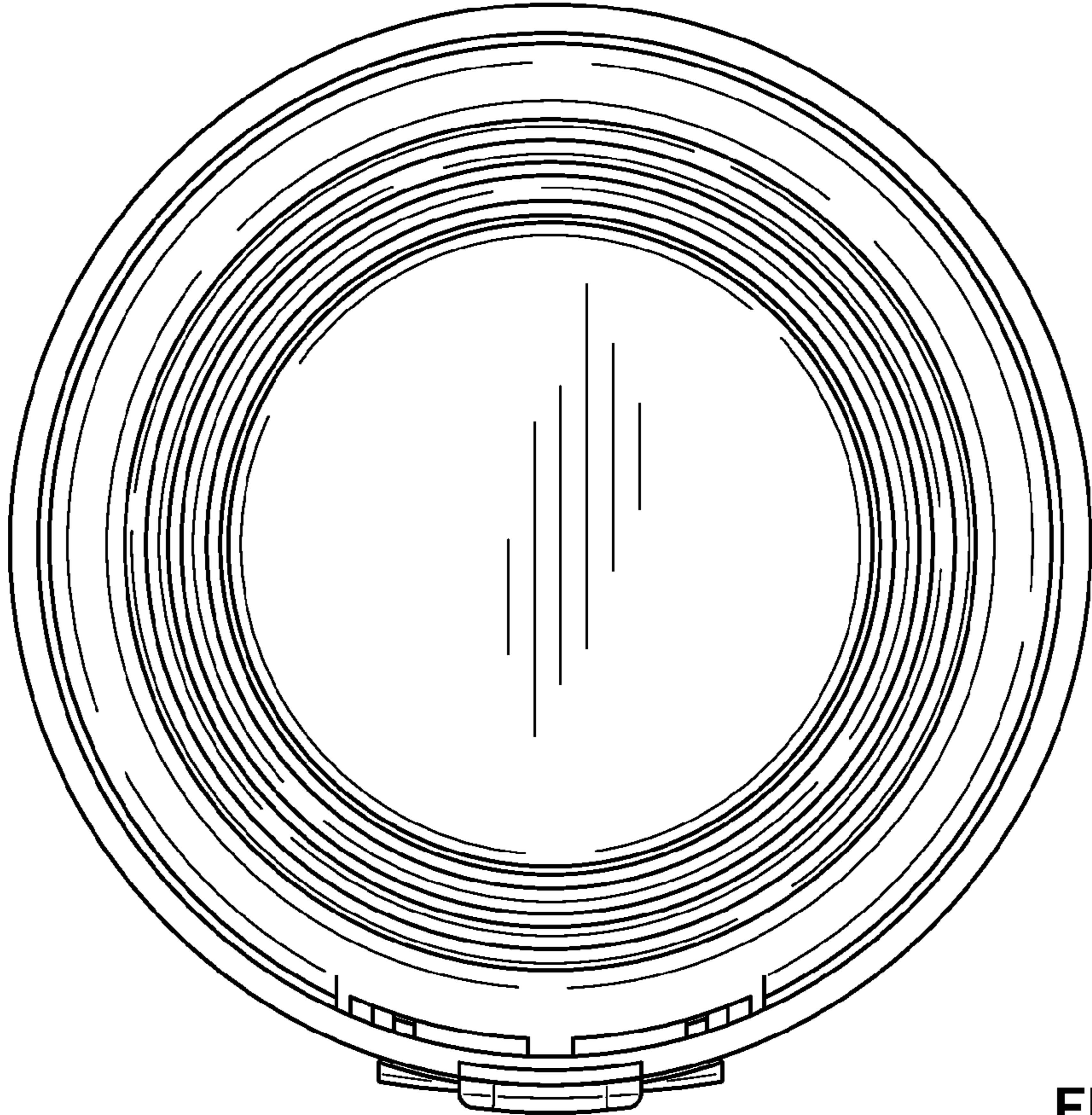
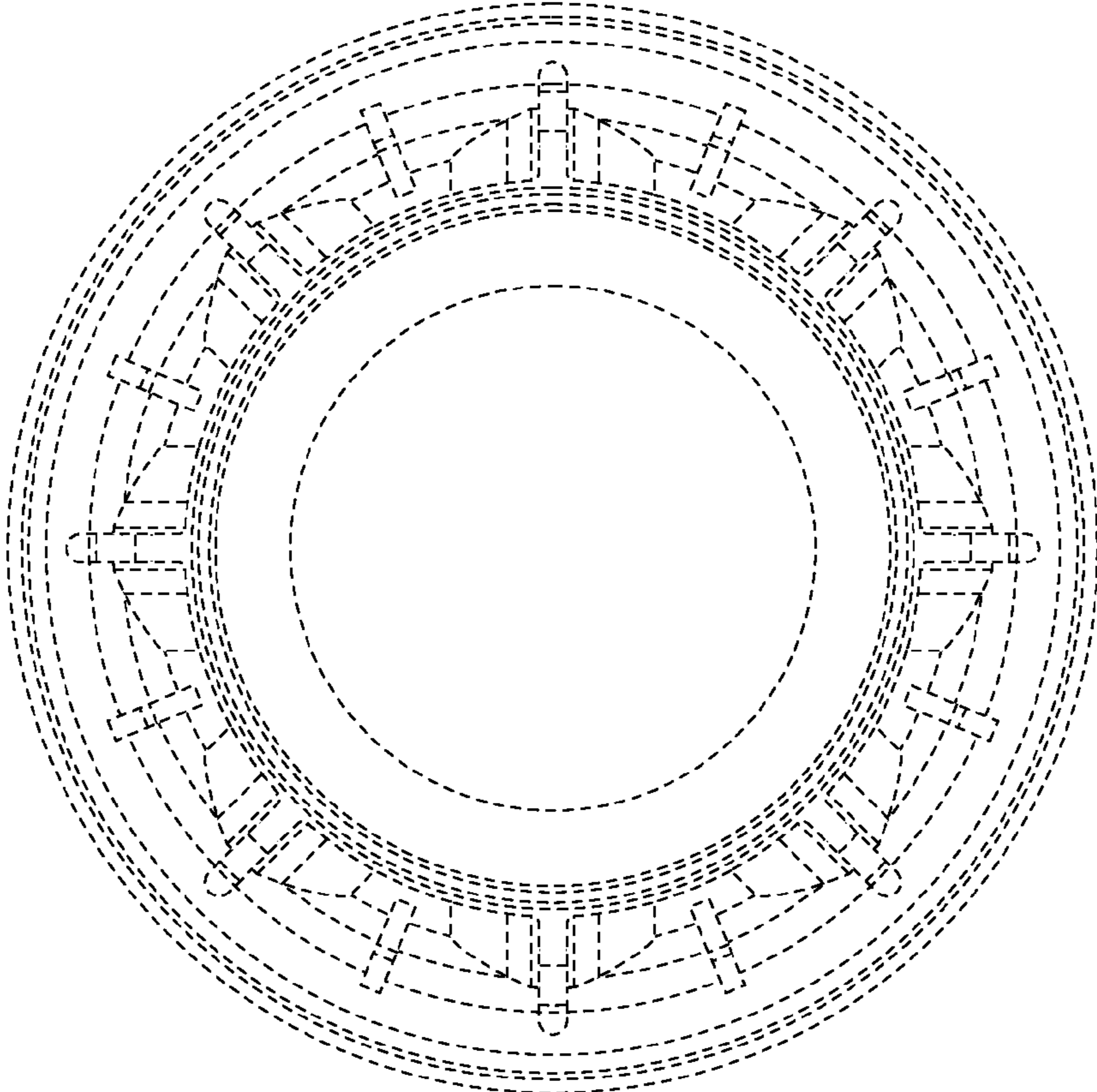


FIG. 7

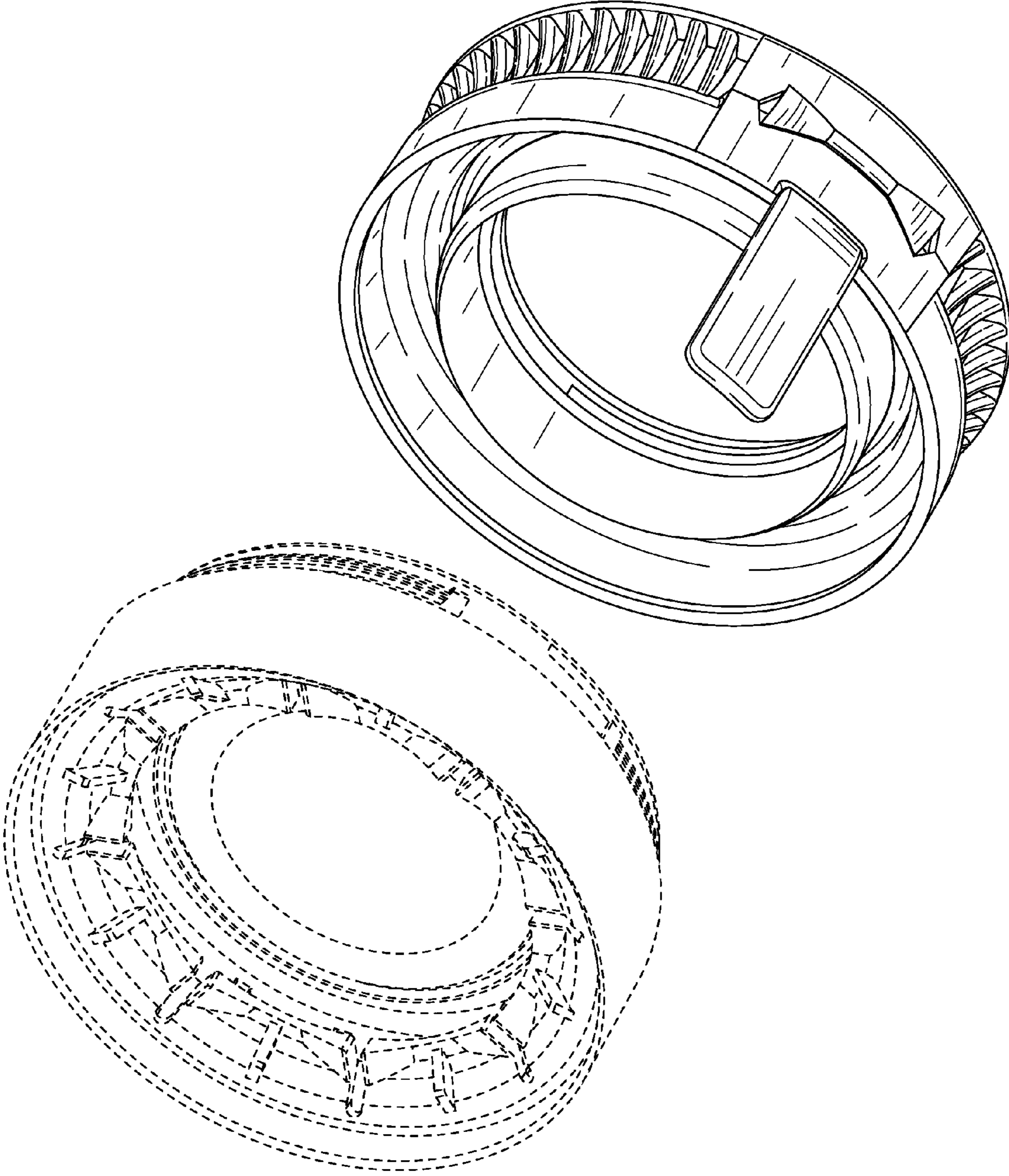


FIG. 8

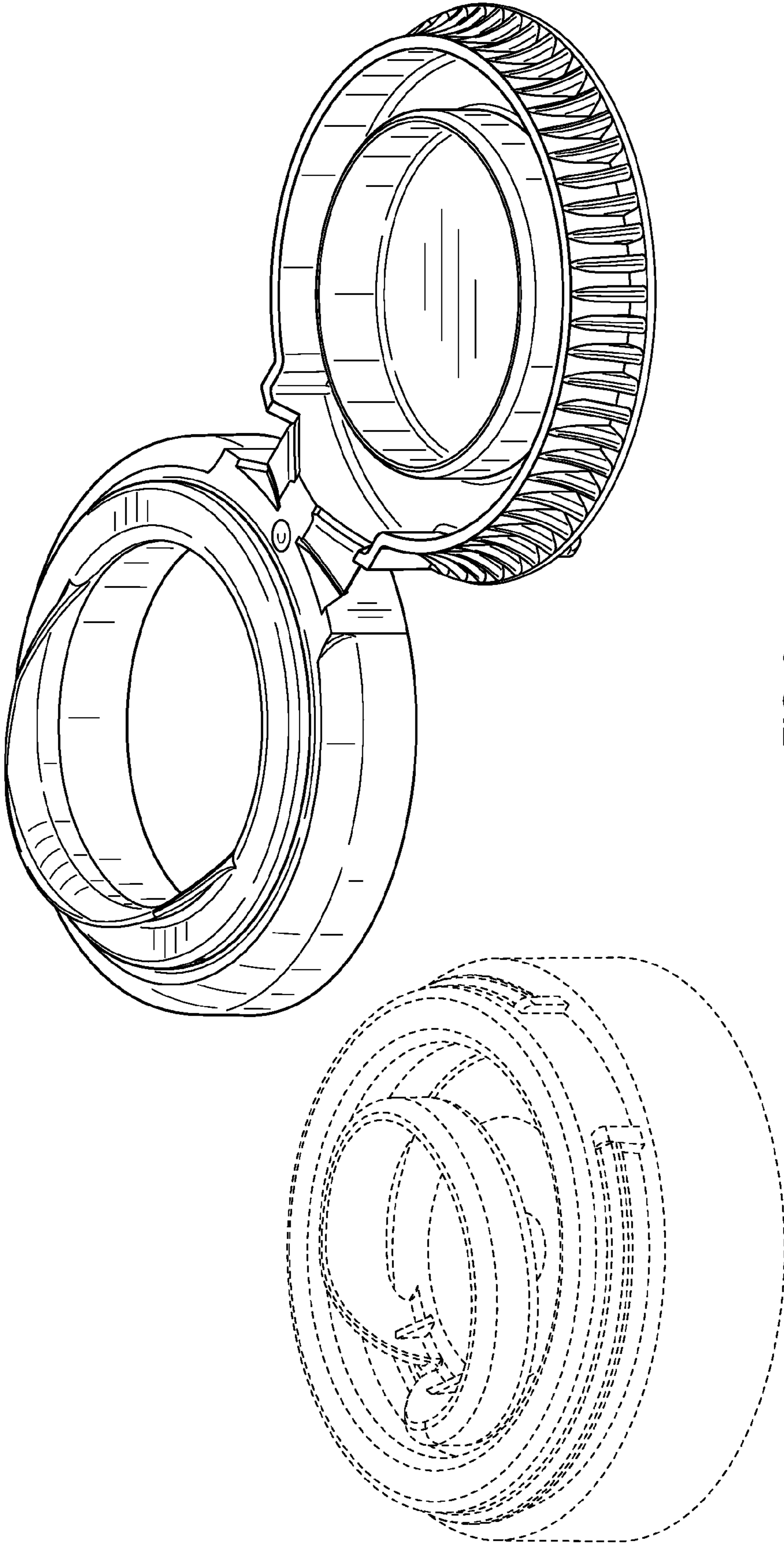


FIG. 9

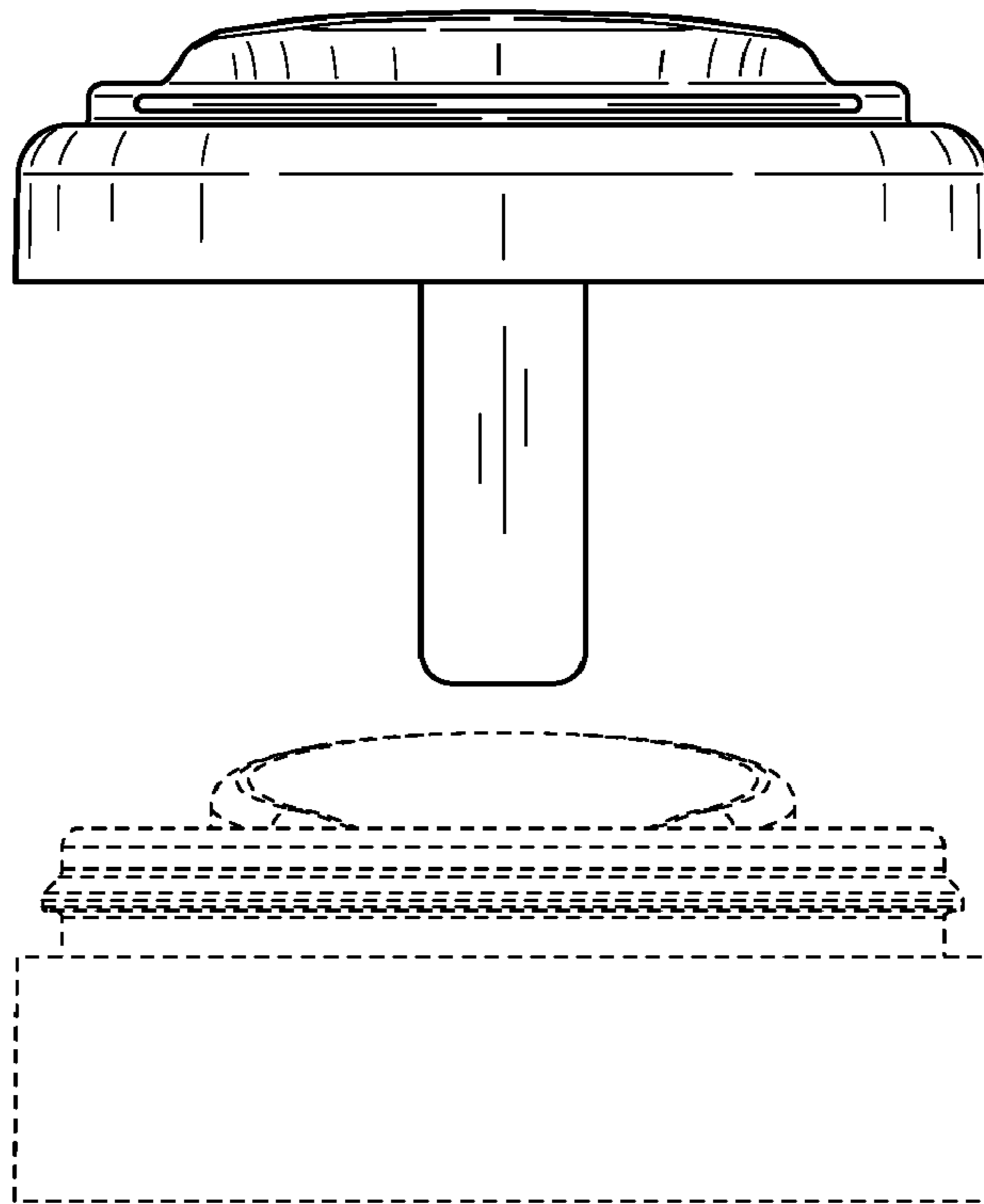


FIG. 10

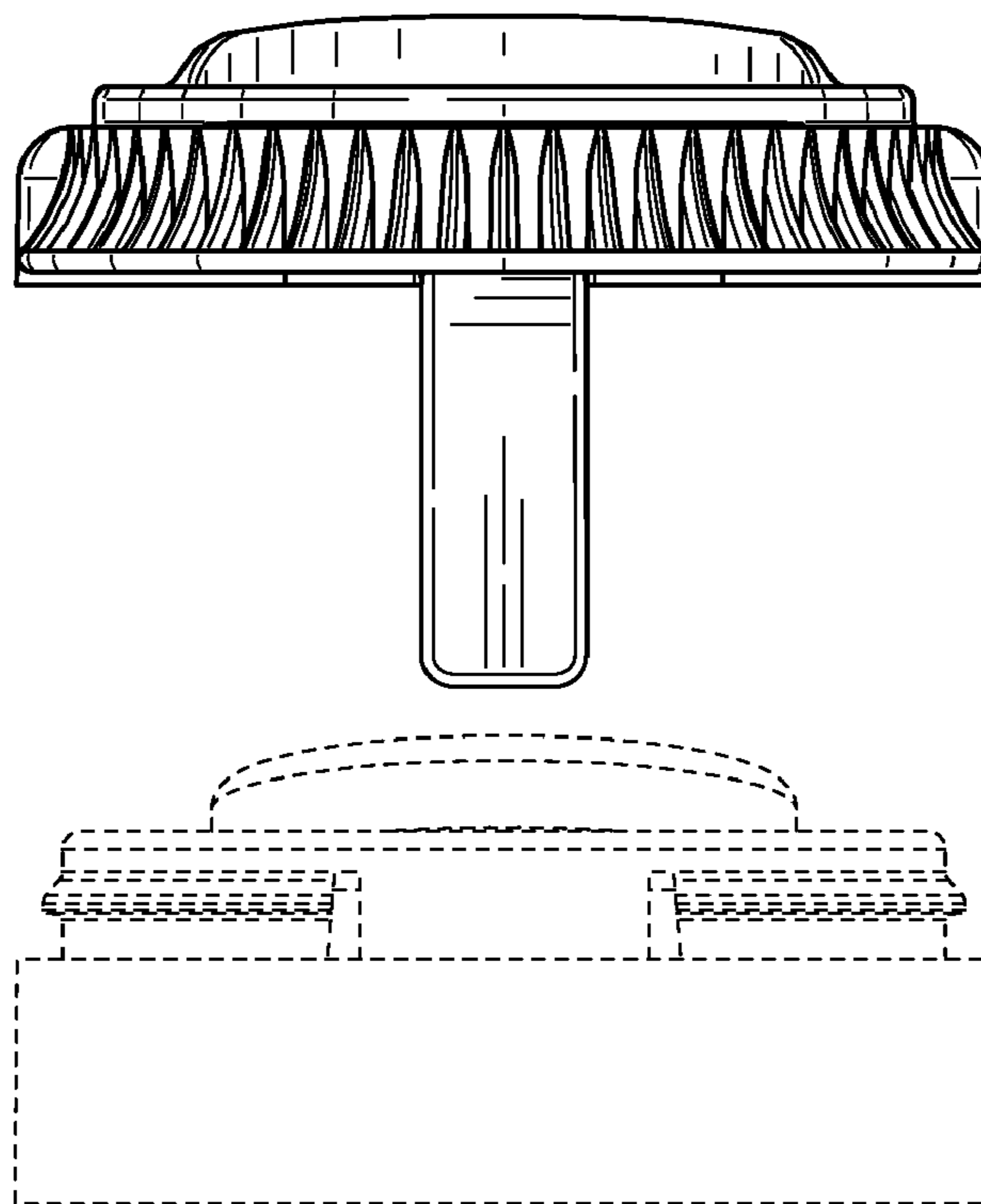


FIG. 11

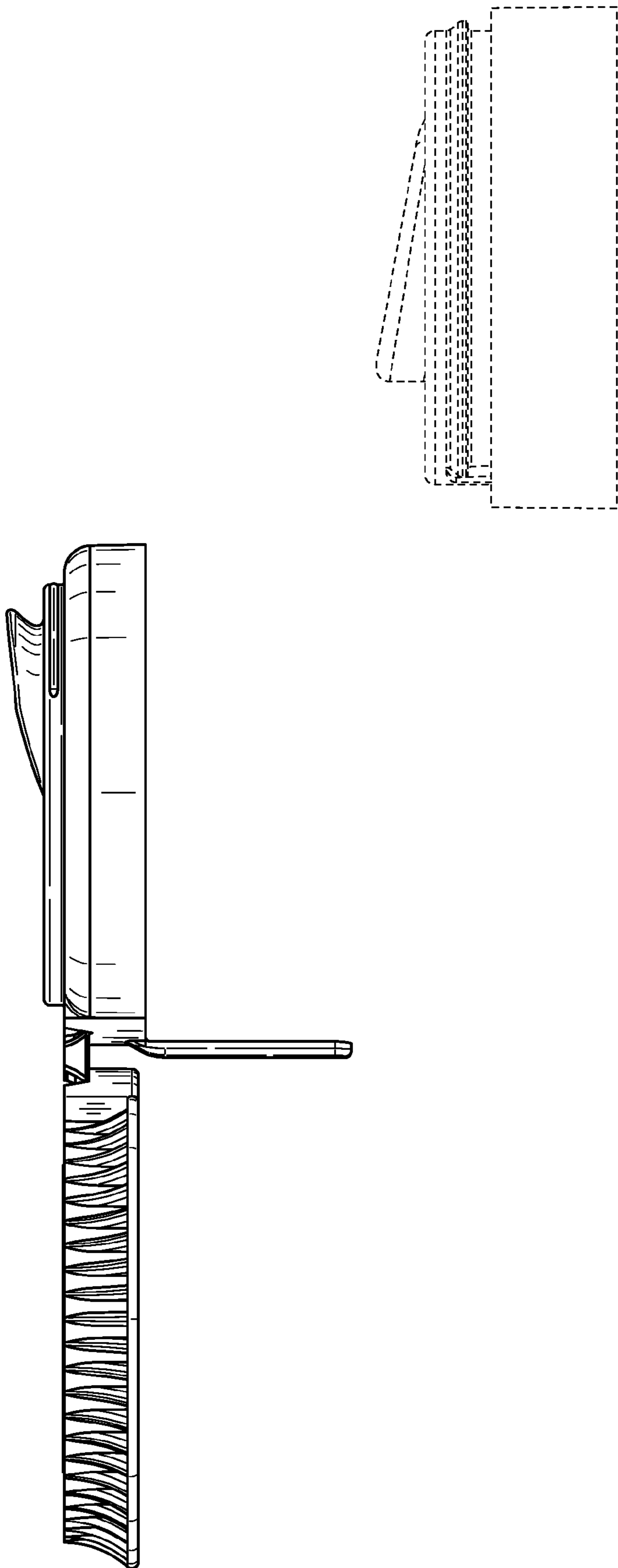


FIG. 12

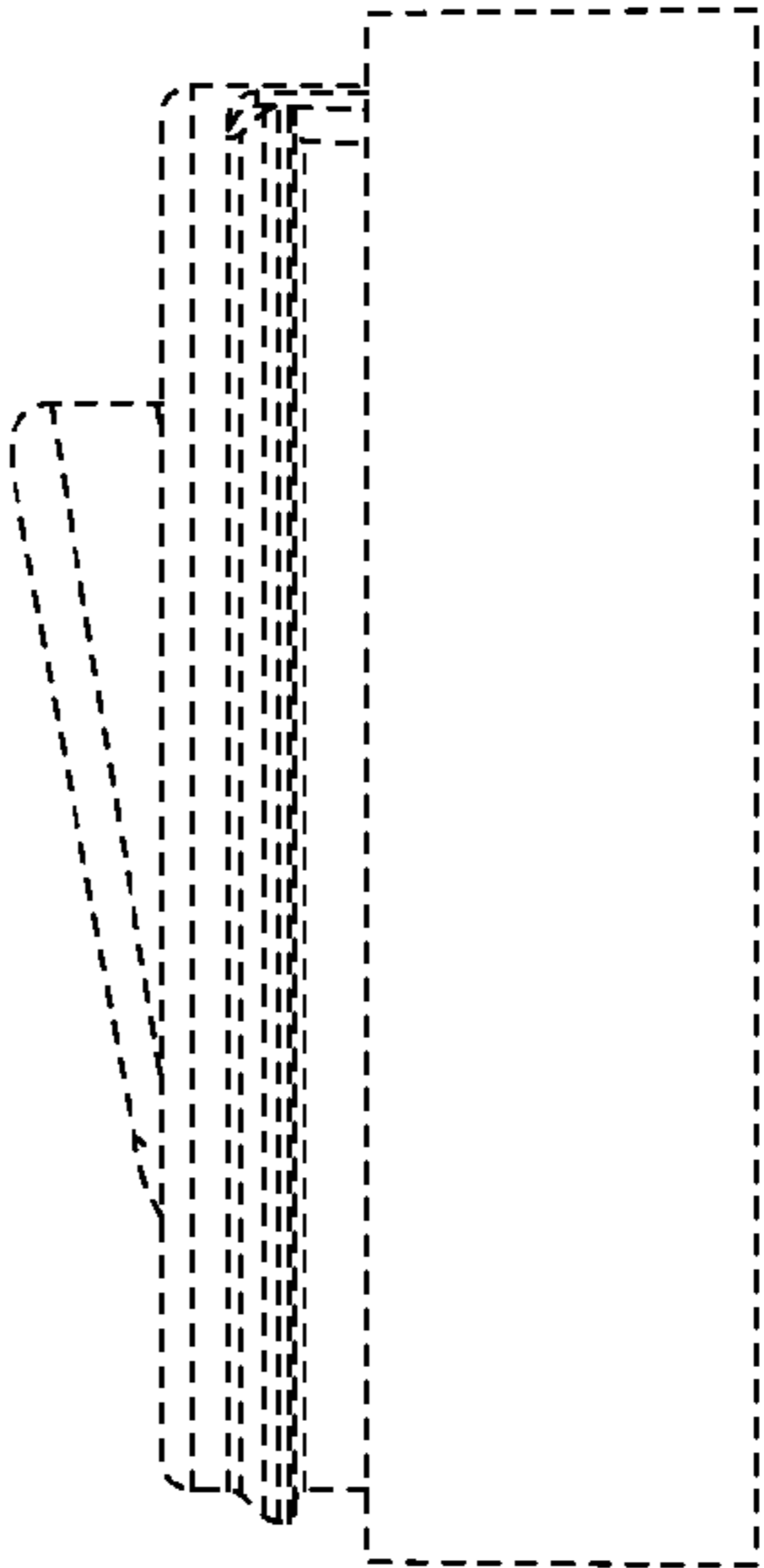
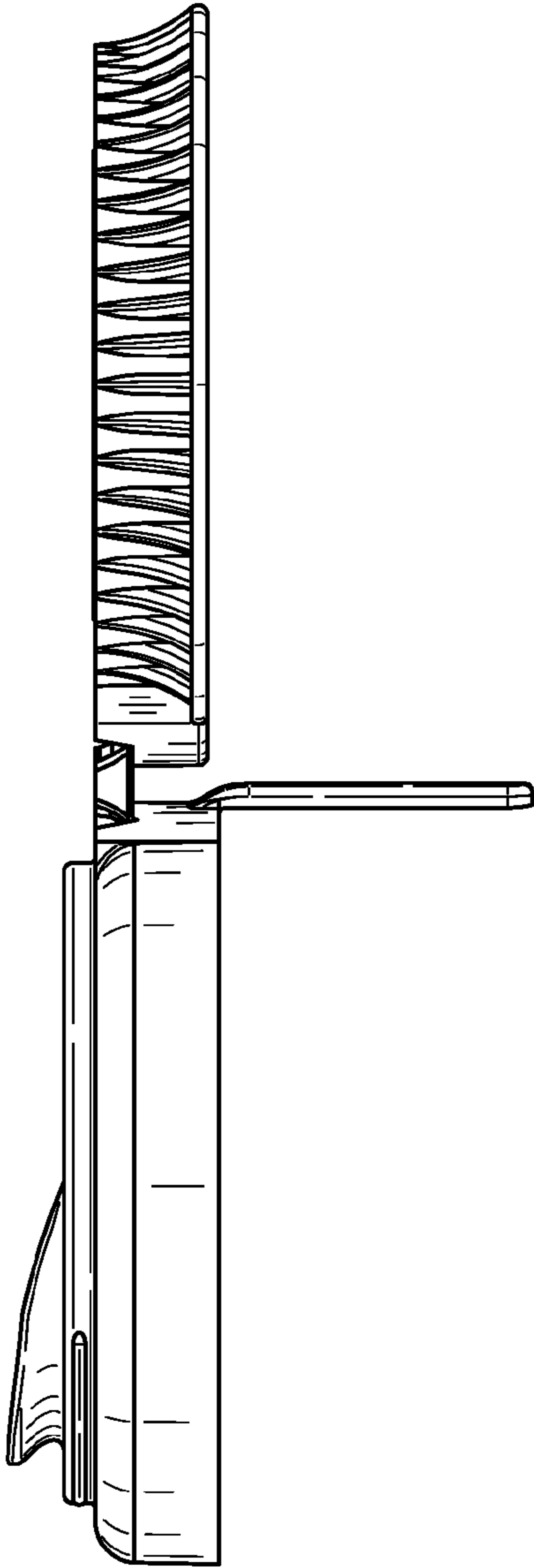


FIG. 13

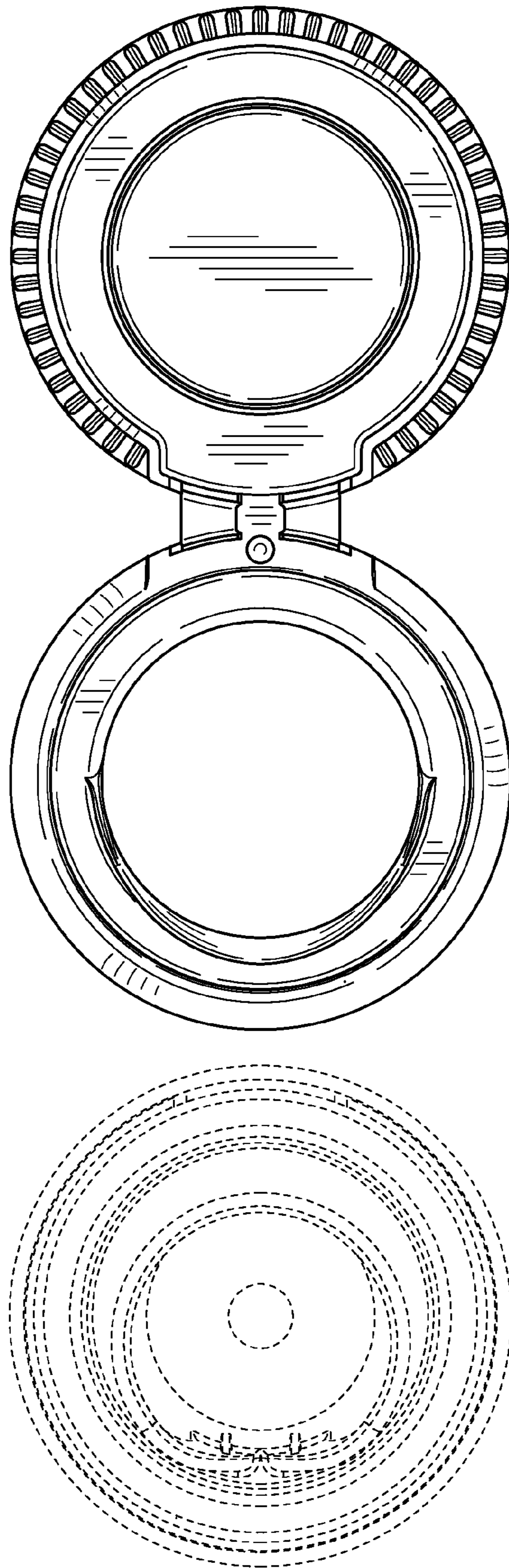


FIG. 14

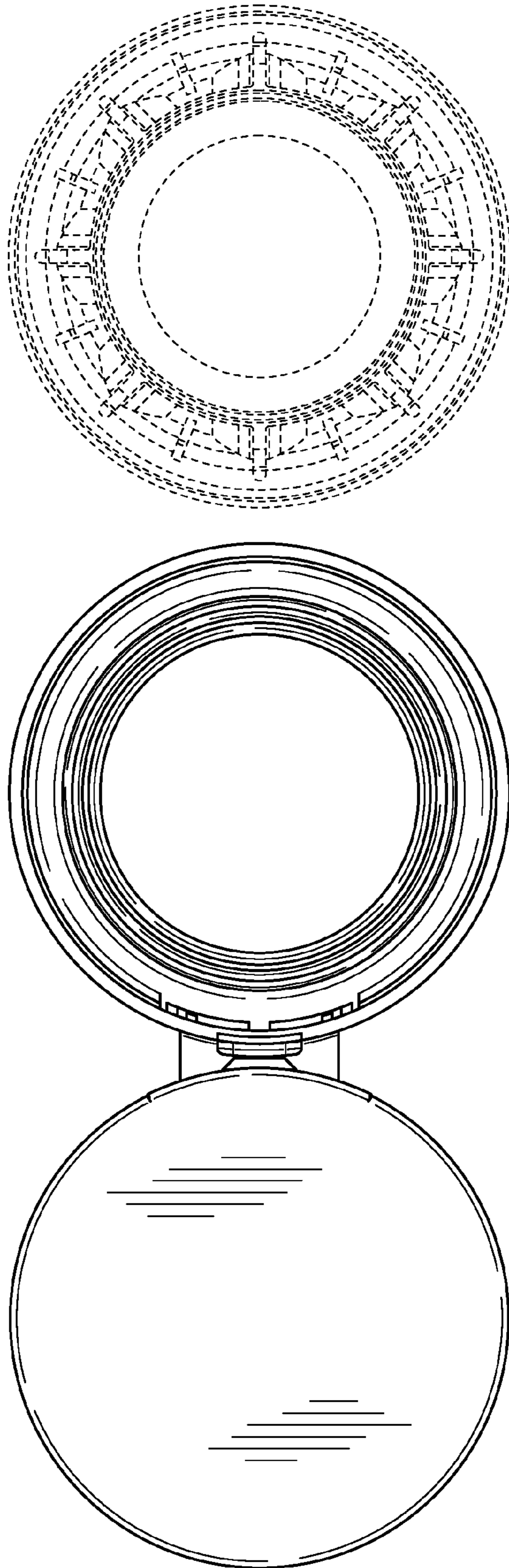


FIG. 15

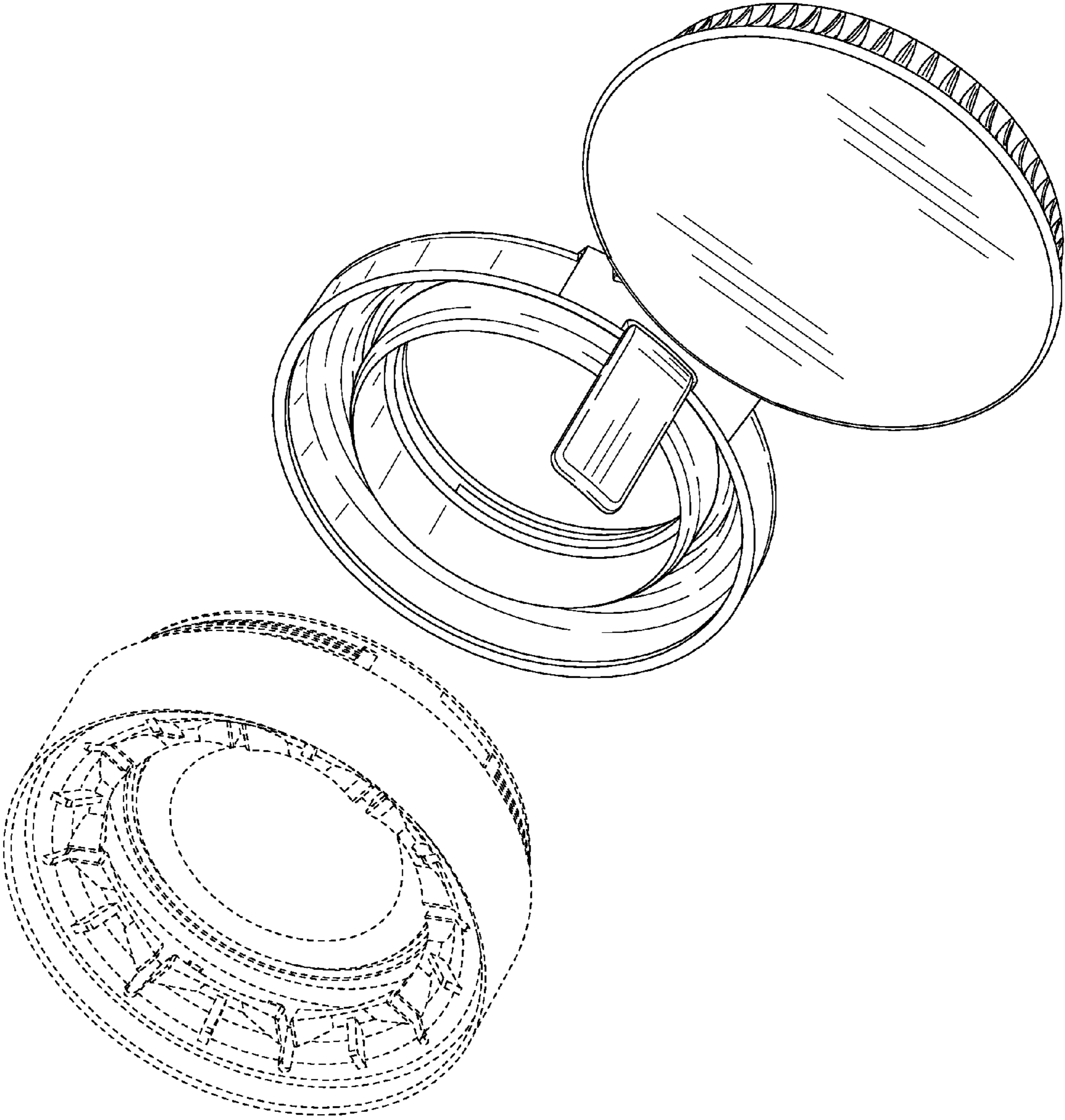


FIG. 16

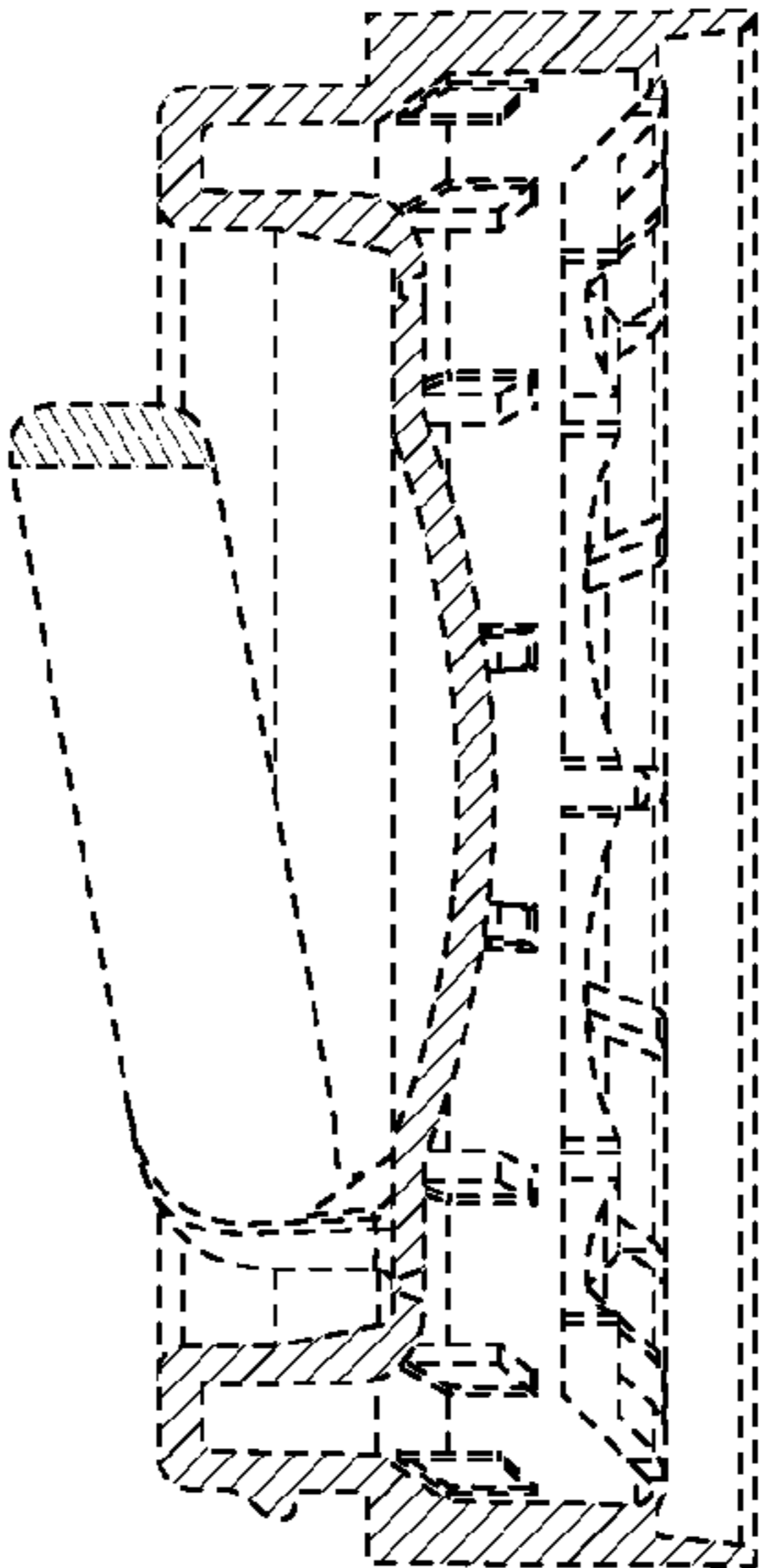
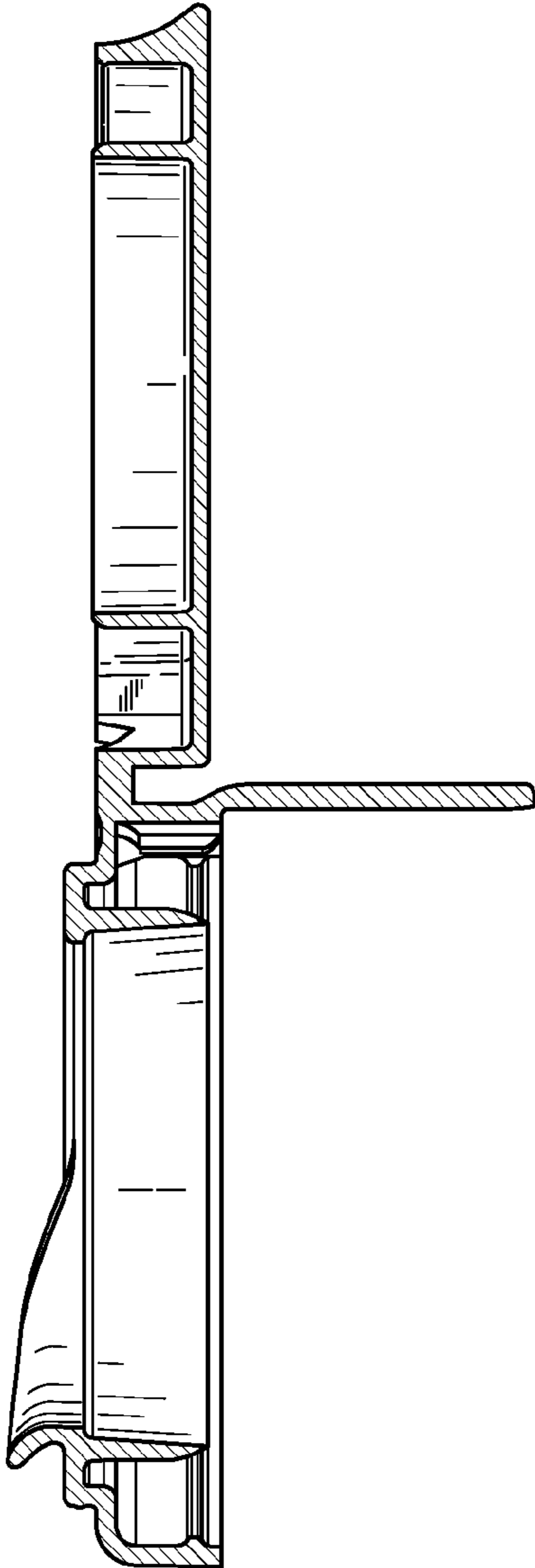


FIG. 17