

US00D626412S

(12) **United States Design Patent**  
**Lohrman et al.**

(10) **Patent No.:** **US D626,412 S**  
(45) **Date of Patent:** **\*\* Nov. 2, 2010**

(54) **DISPENSING CLOSURE**

(75) Inventors: **Richard D. Lohrman**, Aurora, IL (US);  
**Richard Gross**, Oconomowoc, WI (US)

(73) Assignee: **Portola Packaging, Inc.**, Batavia, IL  
(US)

(\*\*) Term: **14 Years**

(21) Appl. No.: **29/355,700**

(22) Filed: **Feb. 12, 2010**

**Related U.S. Application Data**

(63) Continuation-in-part of application No. 29/344,607,  
filed on Oct. 1, 2009, now Pat. No. Des. 612,729.

(51) **LOC (9) Cl.** ..... **09-07**

(52) **U.S. Cl.** ..... **D9/449; D9/453; D9/438**

(58) **Field of Classification Search** ..... D9/529,  
D9/504, 503, 454, 453, 452, 450, 449, 447,  
D9/446, 443, 435; D7/900, 396.2, 392.1;  
222/556, 544, 494, 480, 472, 321.9, 212,  
222/185.1; 220/837, 835, 813, 810, 375,  
220/254.5; 215/305, 228, 226, 200  
See application file for complete search history.

(56) **References Cited**

**U.S. PATENT DOCUMENTS**

D244,356 S \* 5/1977 Pardo ..... D9/453

(Continued)

*Primary Examiner*—Susan Bennett Hattan

(74) *Attorney, Agent, or Firm*—James P. Hanrath; Adam K.  
Sacharoff

(57) **CLAIM**

The ornamental design for a dispensing closure, as shown and  
described.

**DESCRIPTION**

FIG. 1 is a top perspective view of a dispensing closure in  
accordance with the invention shown with a top lid in the  
closed position;

FIG. 2 is a front view of the dispensing closure from FIG. 1;

FIG. 3 is a back view of the dispensing closure from FIG. 1;

FIG. 4 is a right side view of the dispensing closure from FIG.  
1;

FIG. 5 is a left side view of the dispensing closure from FIG.  
1;

FIG. 6 is a top view of the dispensing closure from FIG. 1;

FIG. 7 is a bottom view of the dispensing closure from FIG. 1;  
and

FIG. 8 is a bottom perspective view of the dispensing closure  
from FIG. 1.

FIG. 9 is a top perspective view of the dispensing closure of  
FIG. 1 shown with the top lid in the opened position;

FIG. 10 is a front view of the dispensing closure from FIG. 9;

FIG. 11 is a back view of the dispensing closure from FIG. 9;

FIG. 12 is a right side view of the dispensing closure from  
FIG. 9;

FIG. 13 is a left side view of the dispensing closure from FIG.  
9;

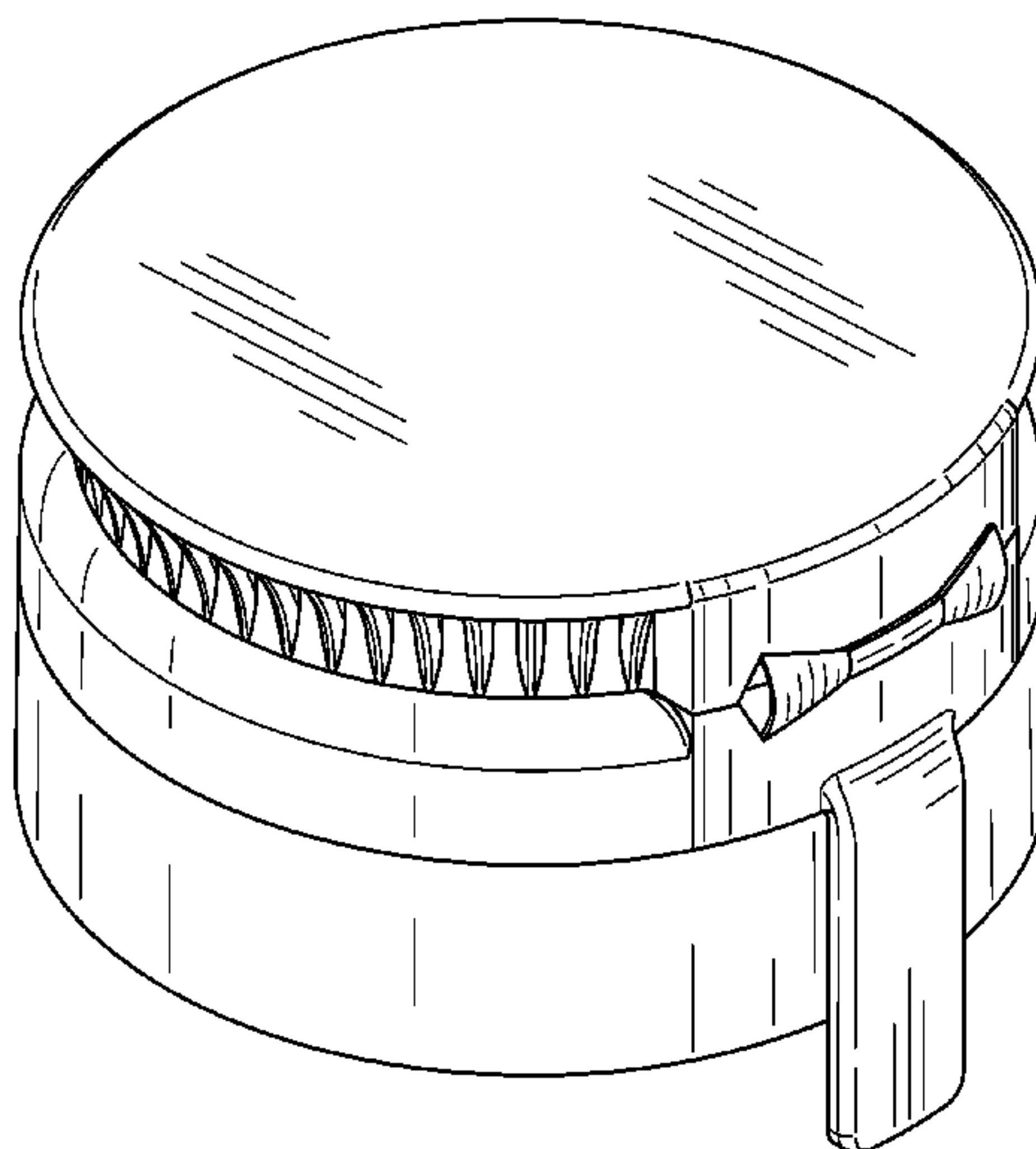
FIG. 14 is a top view of the dispensing closure from FIG. 9;

FIG. 15 is a bottom view of the dispensing closure from FIG.  
9;

FIG. 16 is a bottom perspective view of the dispensing closure  
from FIG. 9; and,

FIG. 17 is a cross section view of the dispensing closure from  
FIG. 9.

**1 Claim, 14 Drawing Sheets**



# US D626,412 S

Page 2

---

## U.S. PATENT DOCUMENTS

D378,803 S *	4/1997	Bolen et al. ....	D9/449	D604,611 S *	11/2009	Ames et al. ....	D9/453
D508,853 S *	8/2005	Ziegenhorn et al. ....	D9/449	D608,198 S *	1/2010	Lohrman et al. ....	D9/449
D530,612 S *	10/2006	Lohrman et al. ....	D9/453	D610,454 S *	2/2010	Lohrman et al. ....	D9/449
D587,580 S *	3/2009	Kane et al. ....	D9/453	2005/0092750 A1 *	5/2005	Lohrman et al. ....	220/258.2
D588,915 S *	3/2009	Lohrman et al. ....	D9/449	2008/0272084 A1 *	11/2008	Lohrman et al. ....	215/255
				2010/0140268 A1 *	6/2010	Lohrman ....	220/270

\* cited by examiner

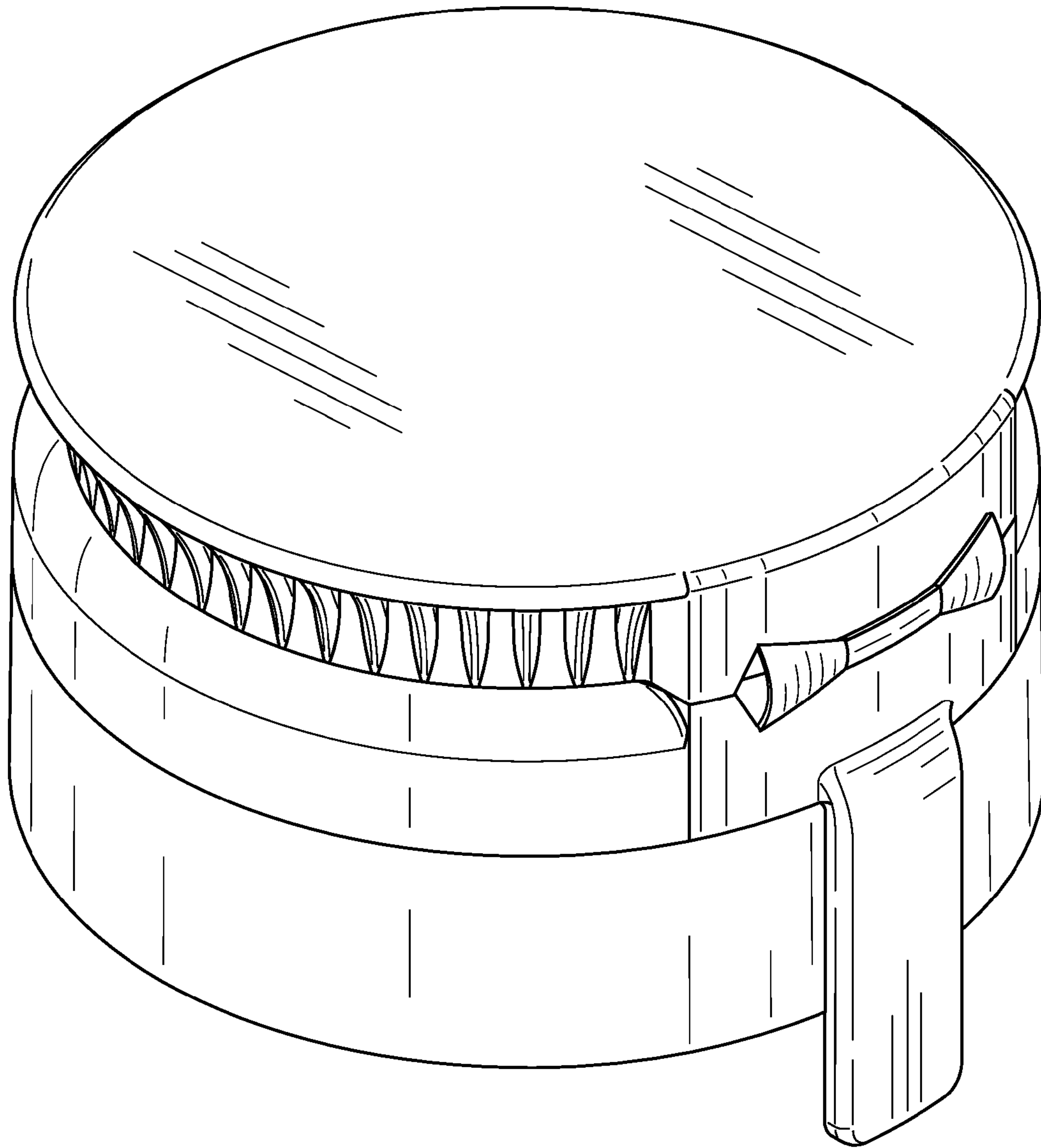


FIG. 1

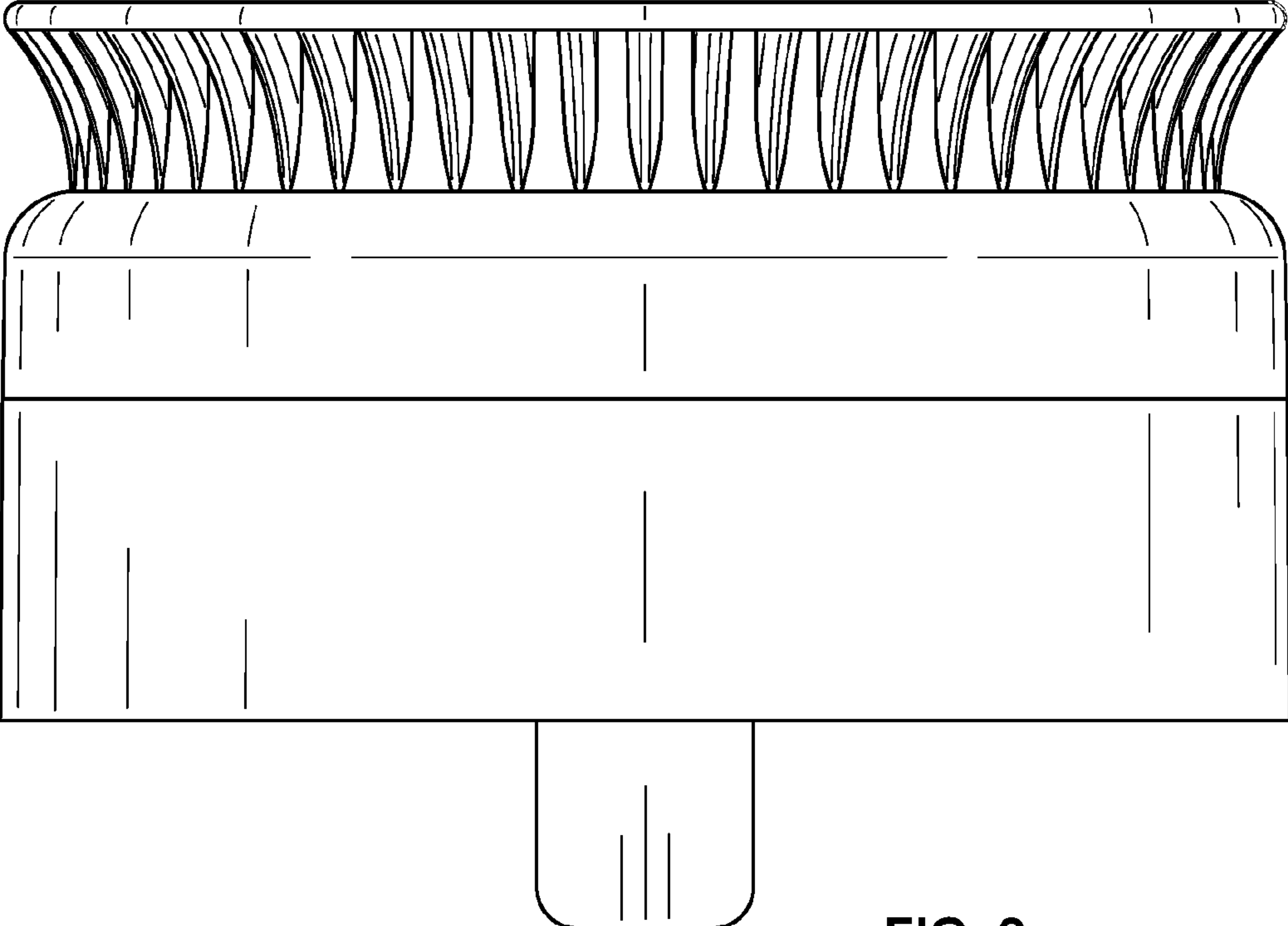


FIG. 2

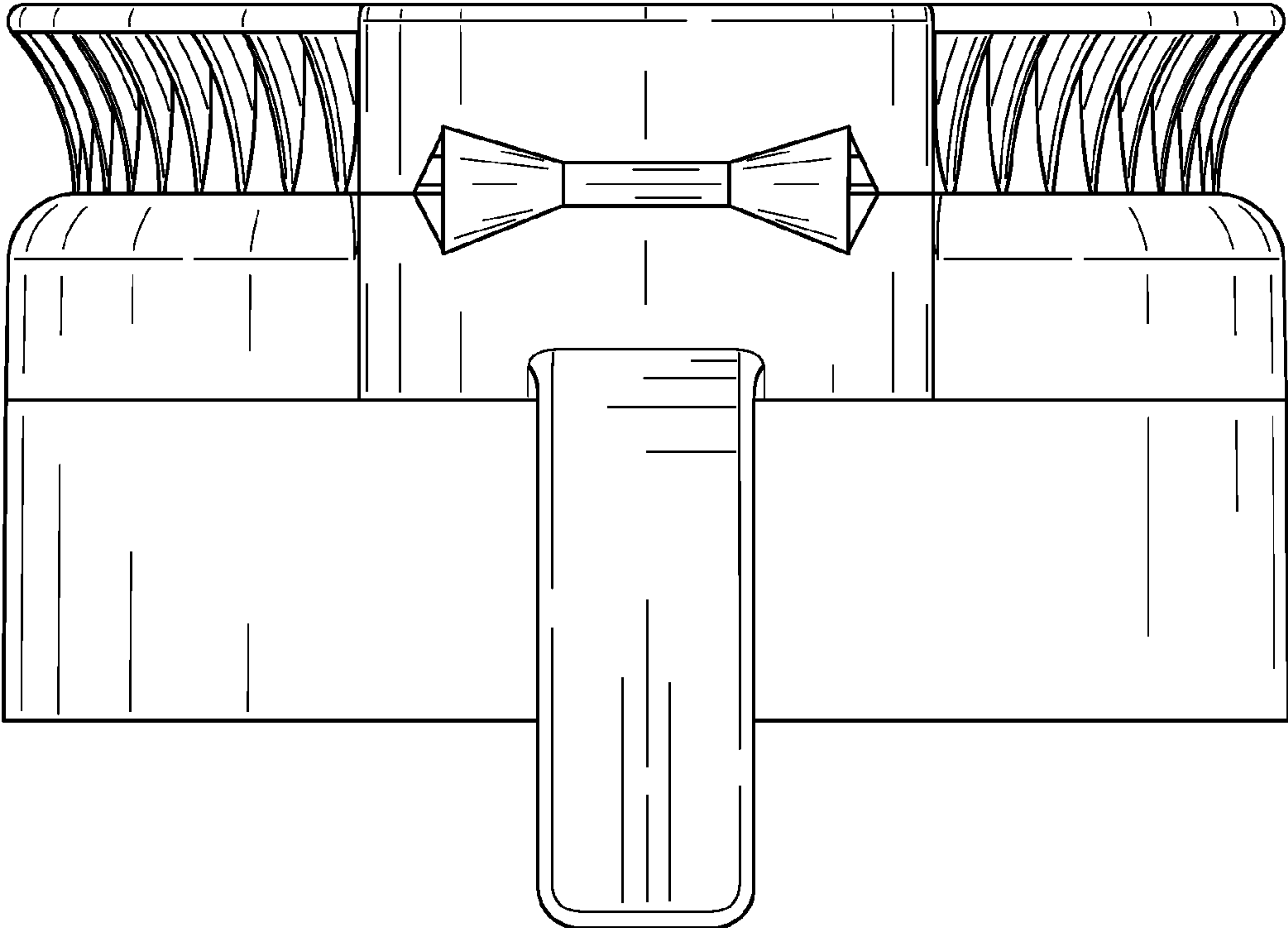


FIG. 3

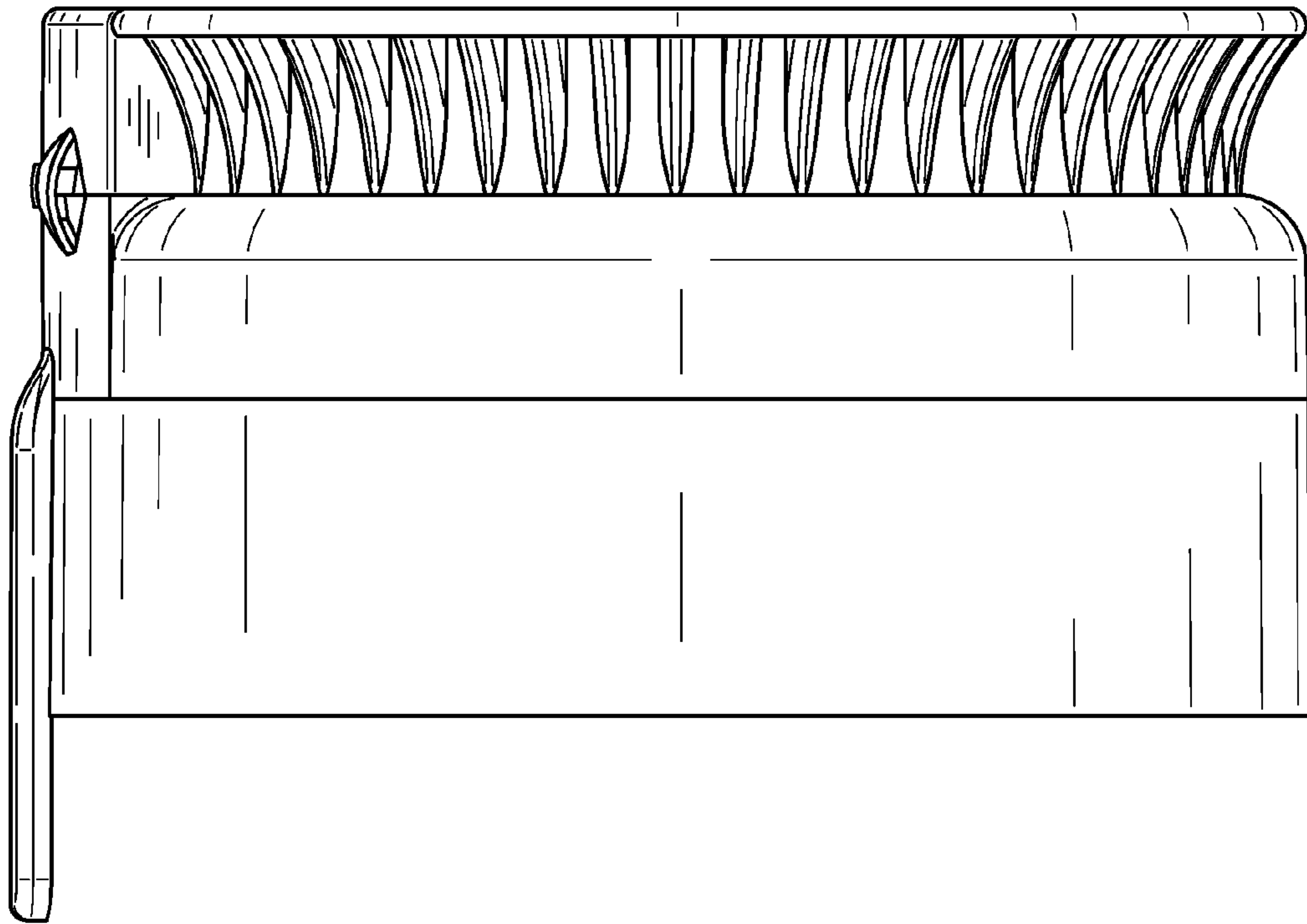


FIG. 4

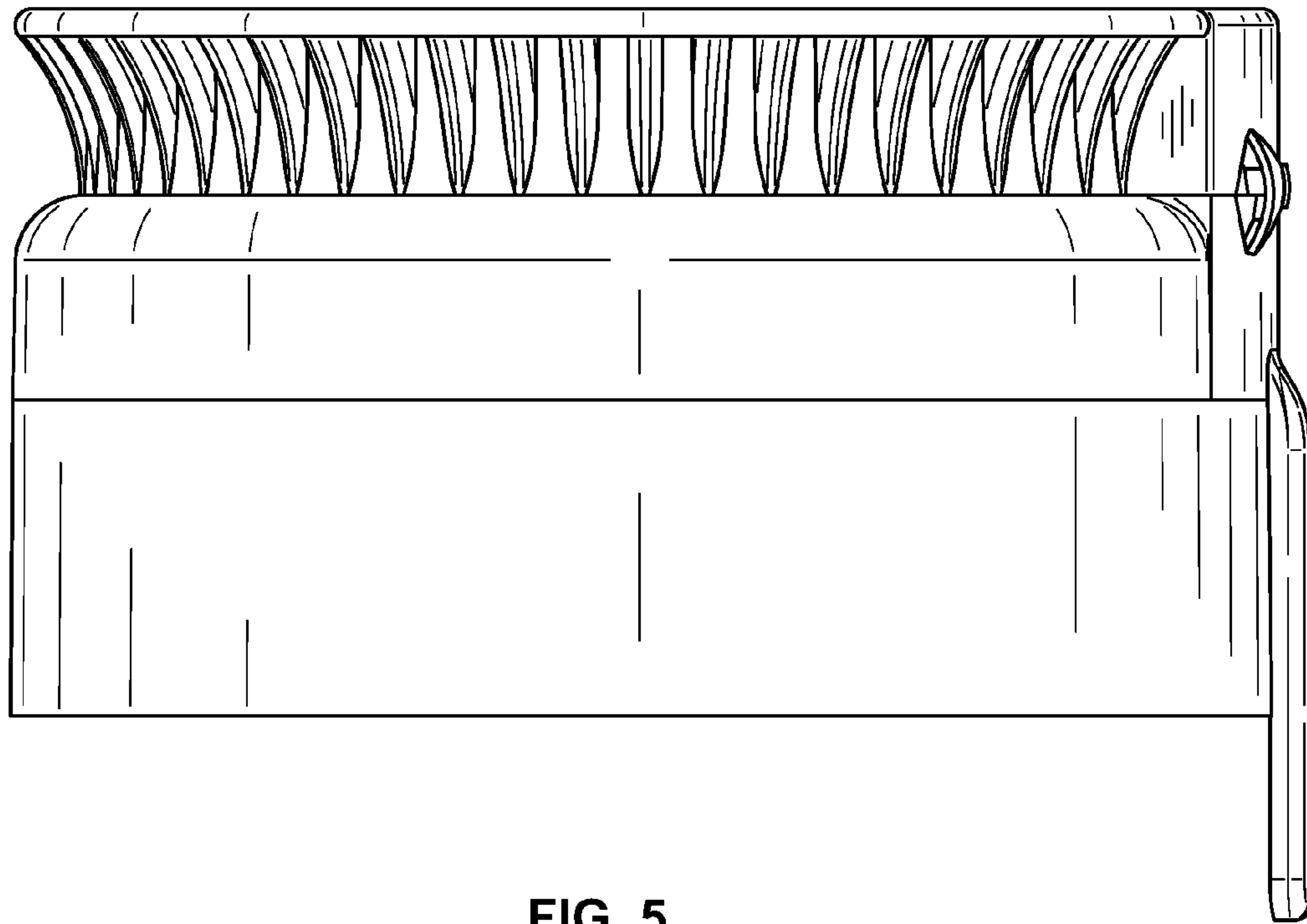


FIG. 5

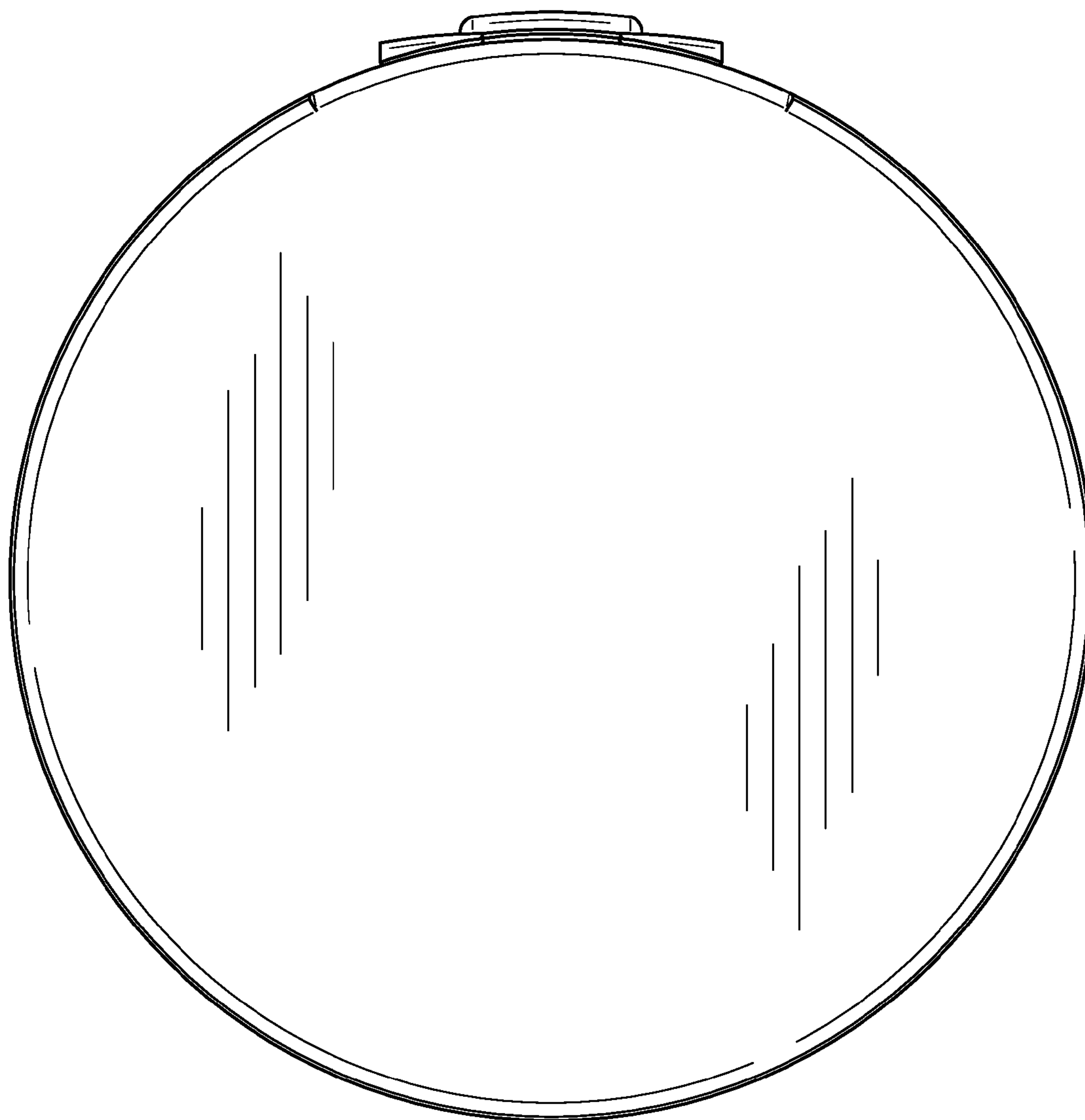


FIG. 6



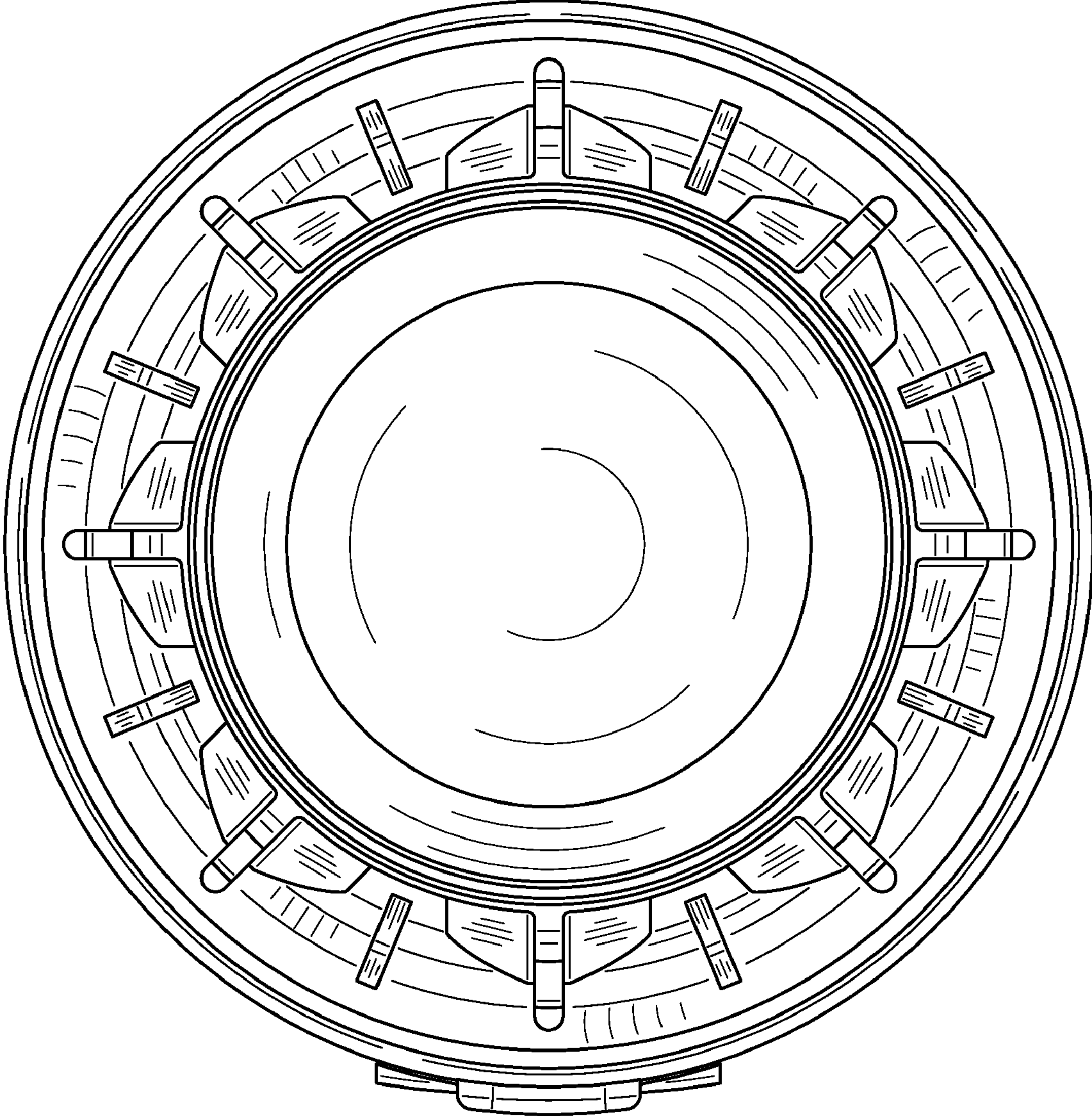


FIG. 7

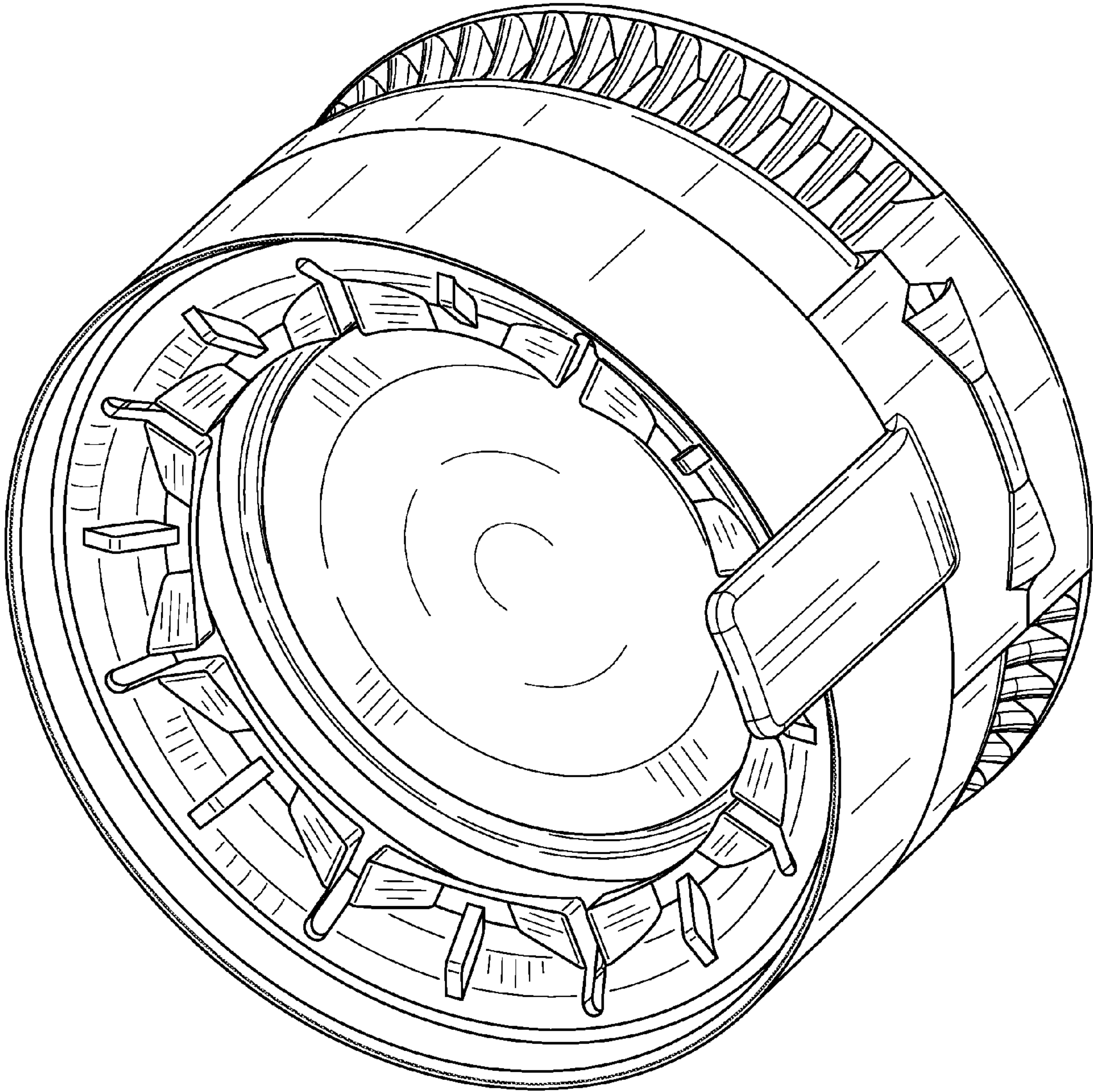


FIG. 8



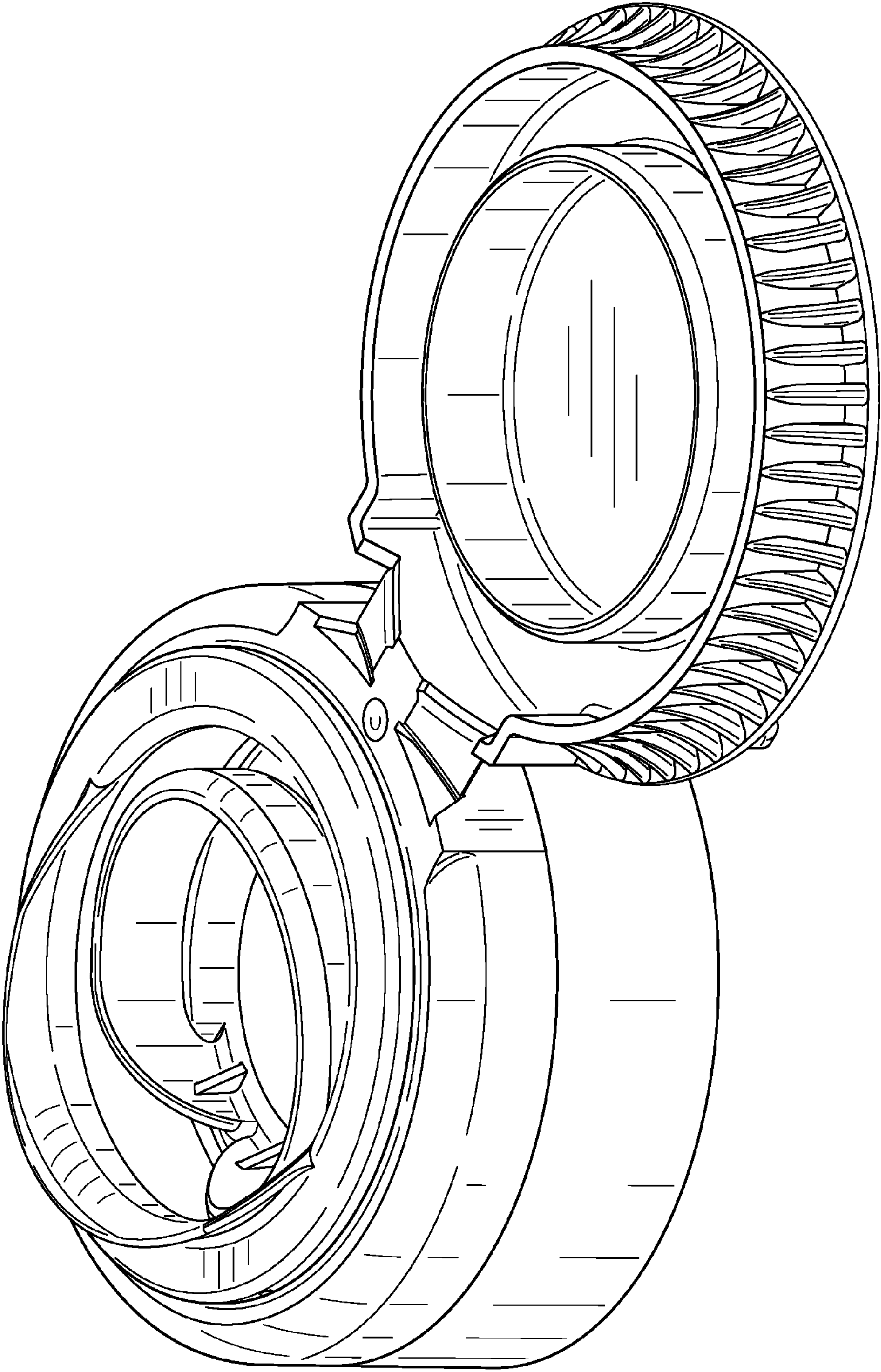


FIG. 9

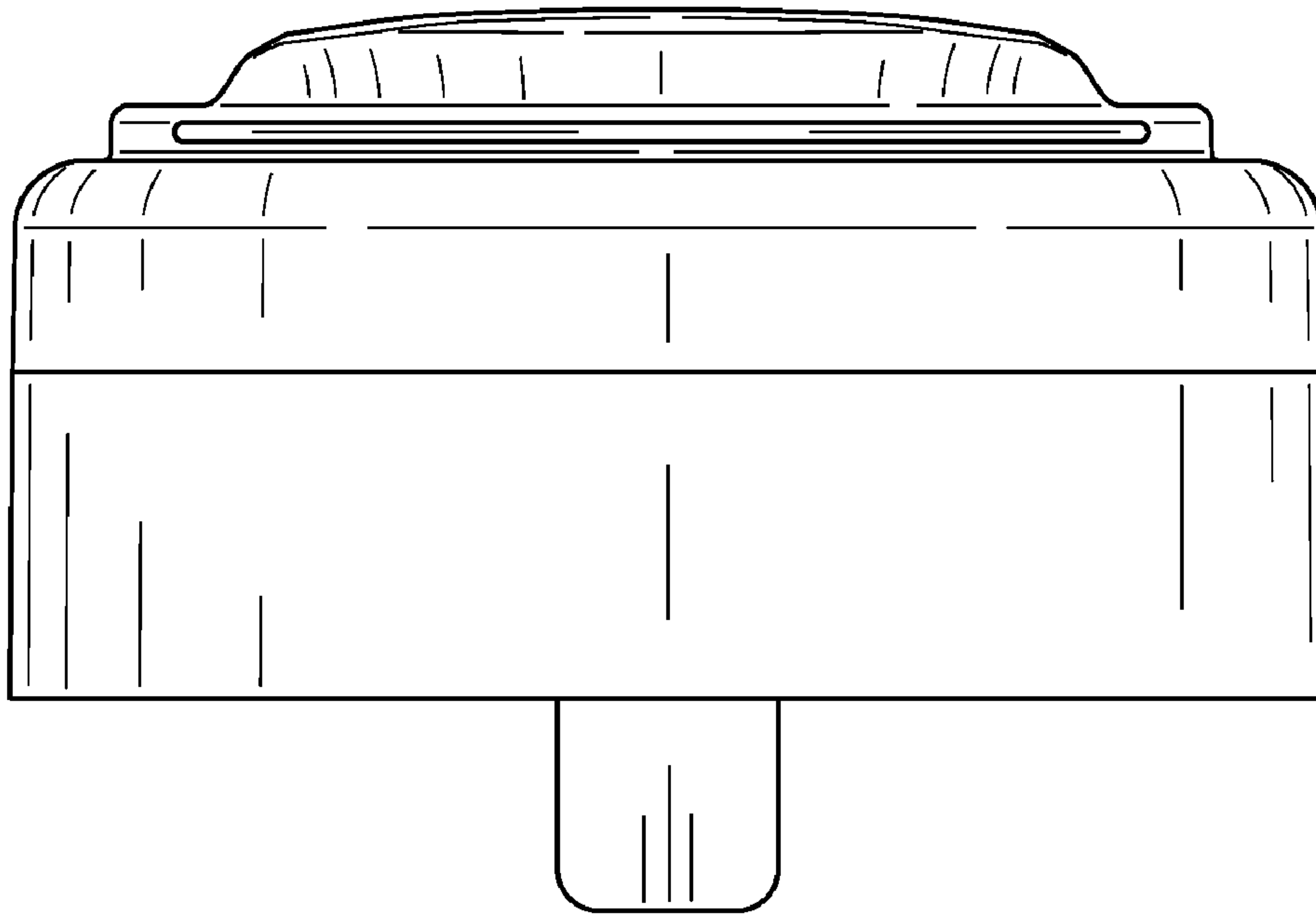


FIG. 10

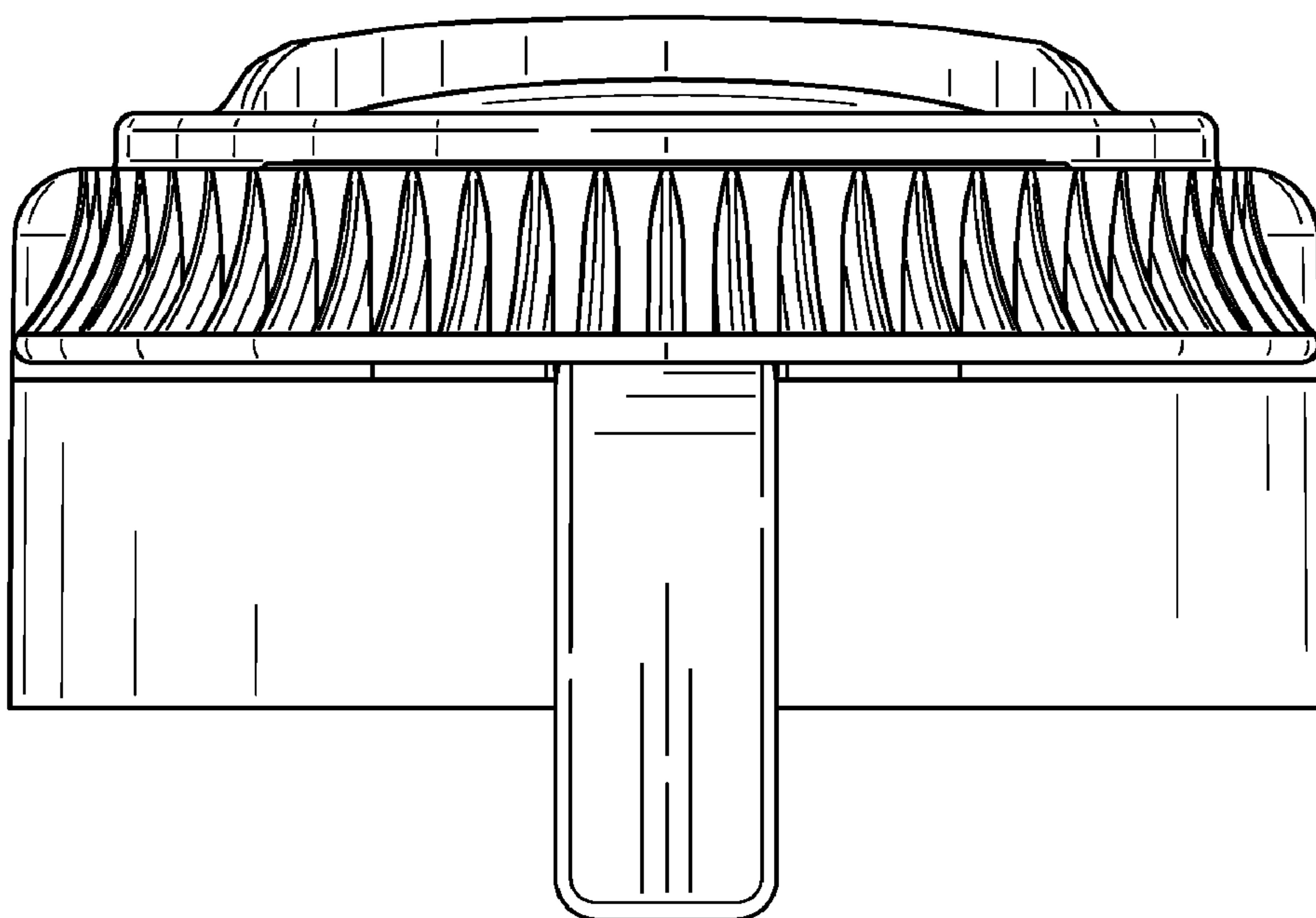


FIG. 11

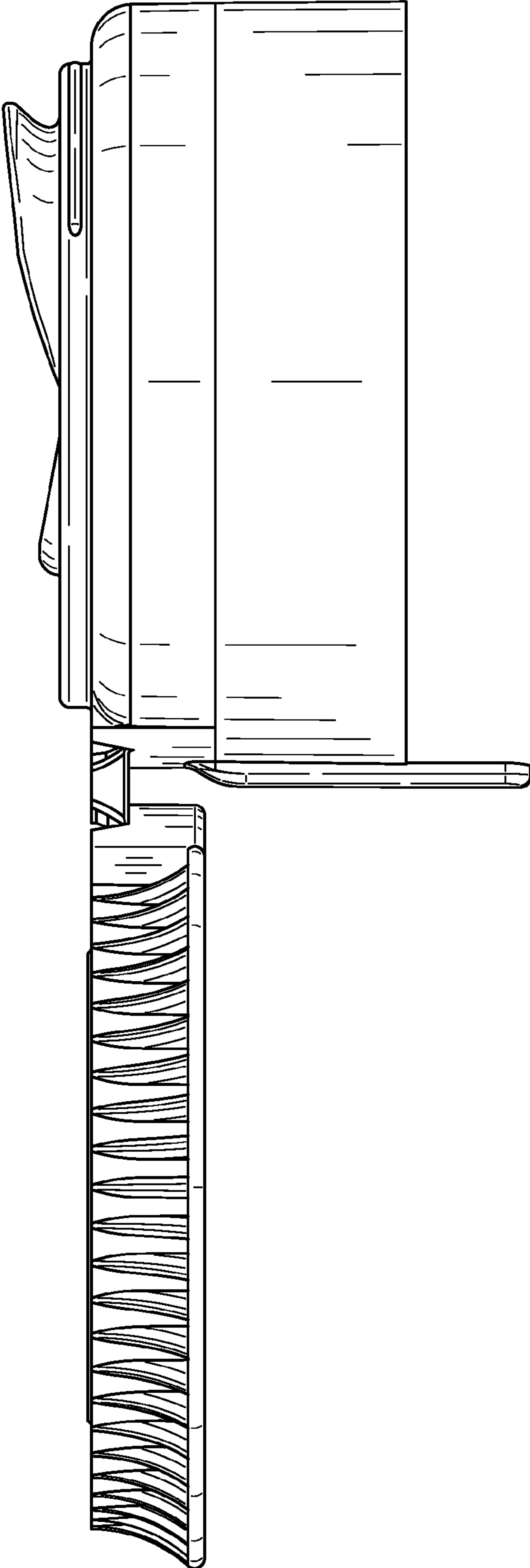


FIG. 12

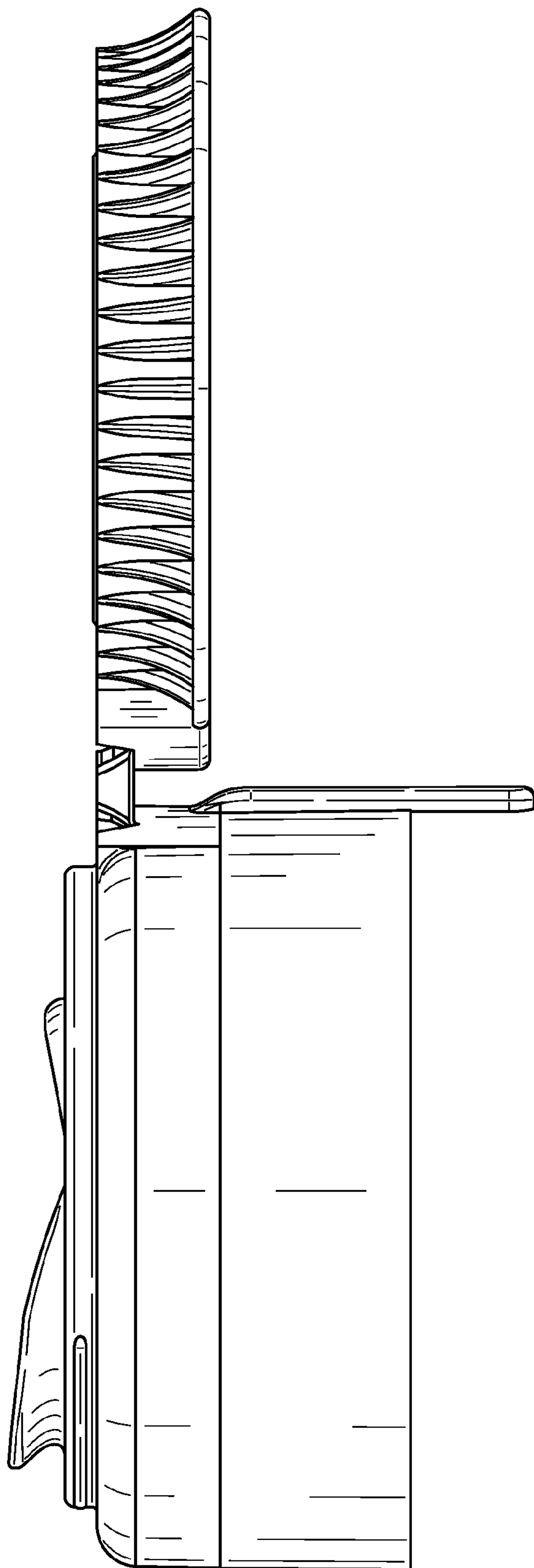


FIG. 13



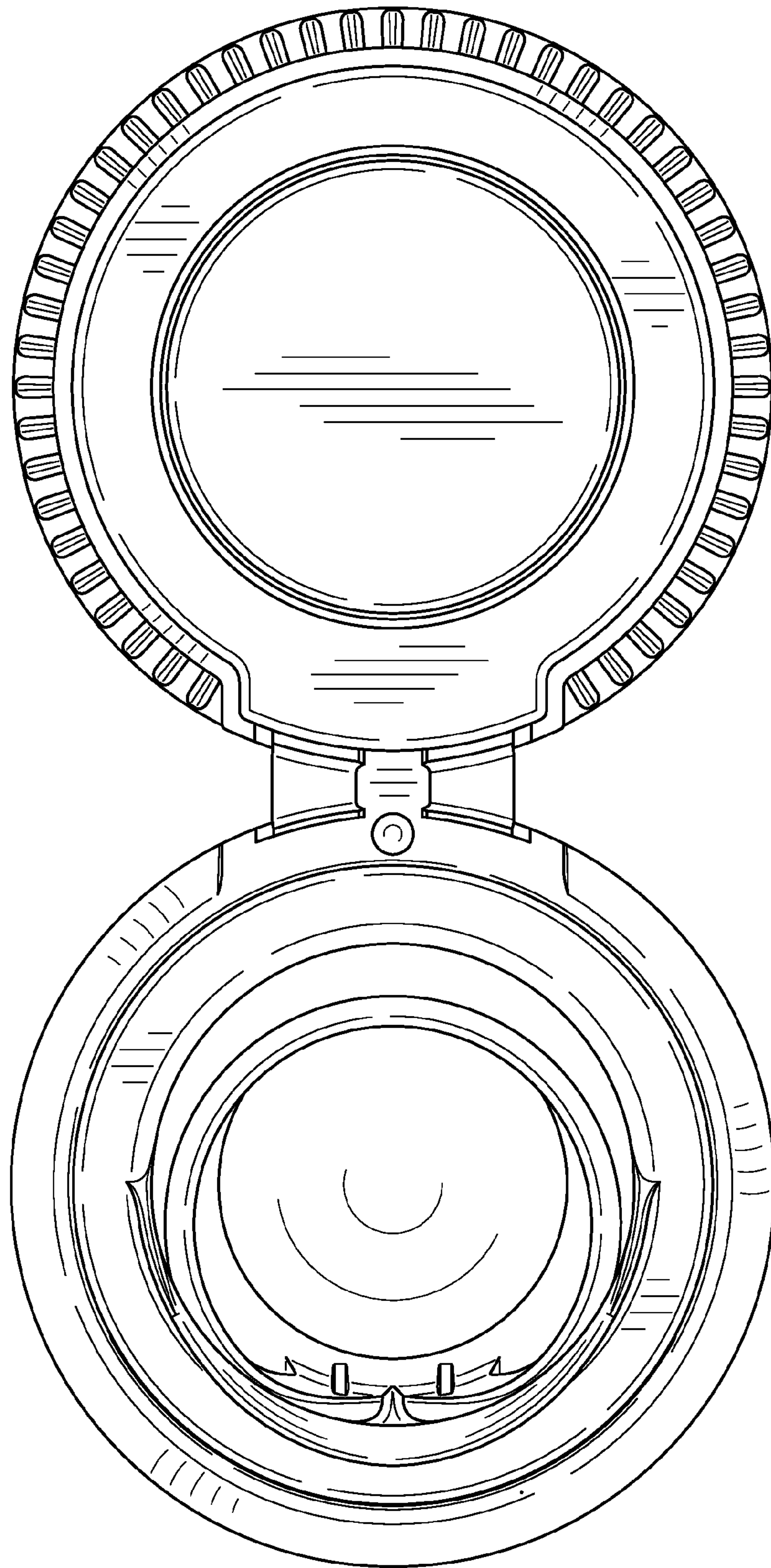


FIG. 14

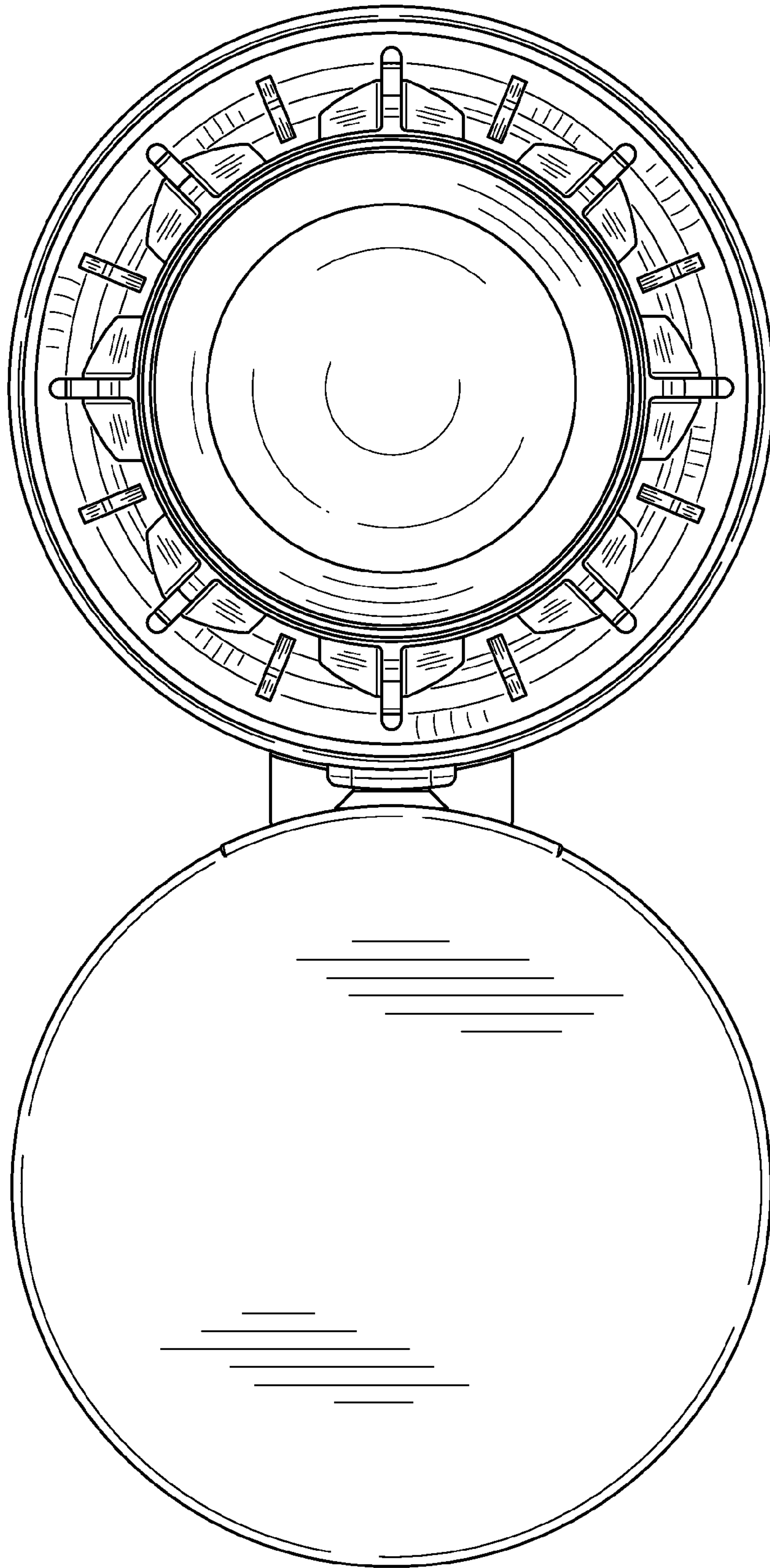


FIG. 15

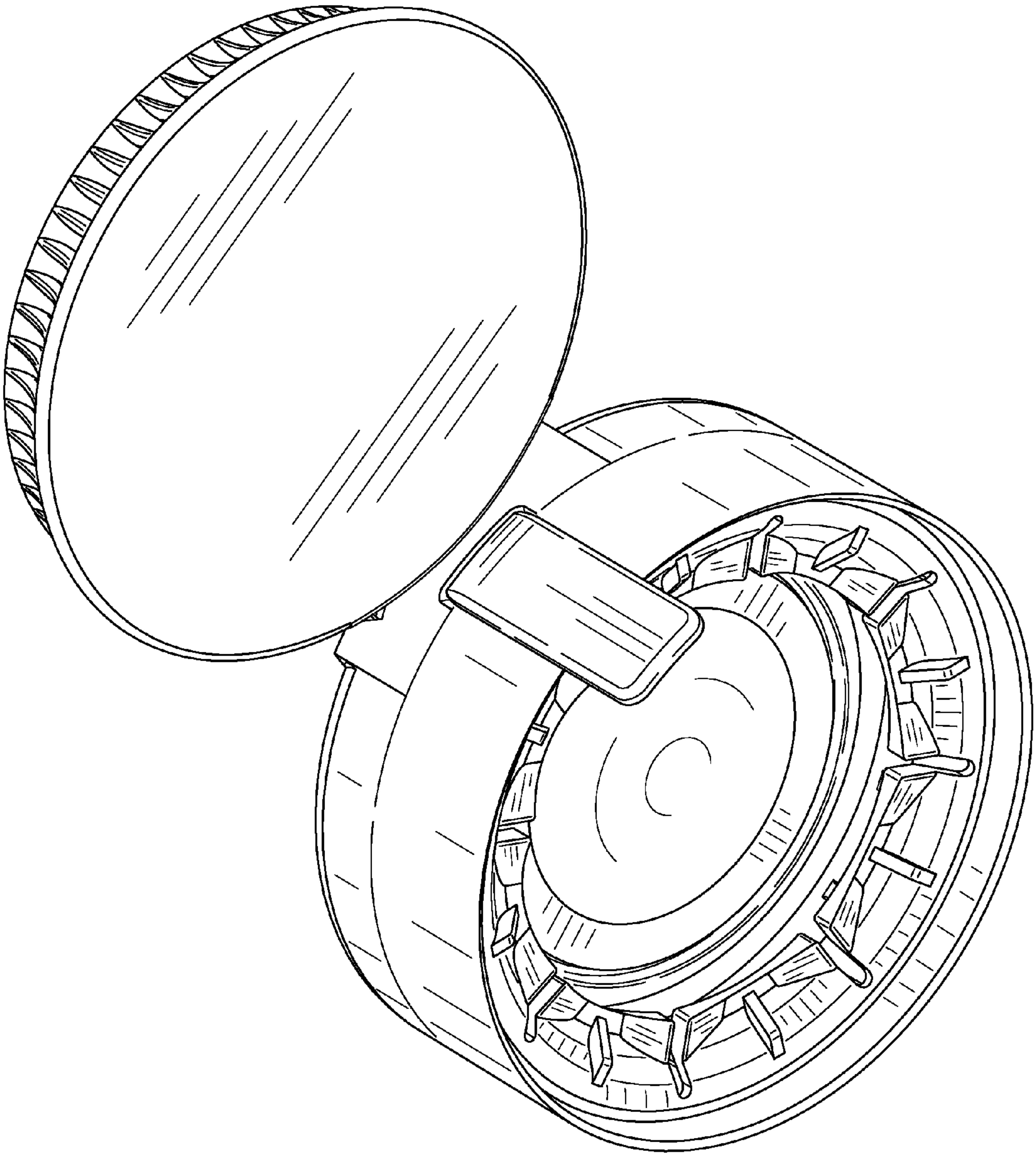


FIG. 16



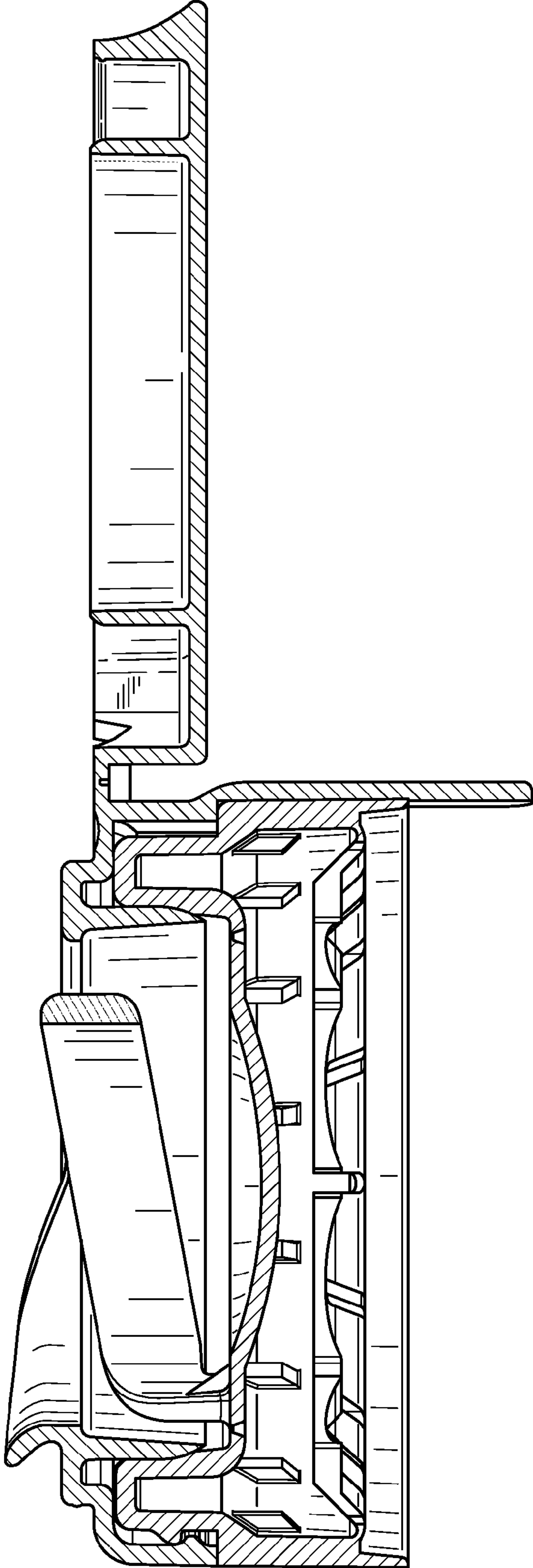


FIG. 17