



US00D626410S

(12) **United States Design Patent**
Lohrman et al.

(10) **Patent No.:** **US D626,410 S**

(45) **Date of Patent:** **** Nov. 2, 2010**

(54) **BOTTOM FOR A DISPENSING CLOSURE**

2010/0140268 A1* 6/2010 Lohrman 220/270

(75) Inventors: **Richard D. Lohrman**, Aurora, IL (US);
Richard Gross, Oconomowoc, WI (US)

* cited by examiner

Primary Examiner—Susan Bennett Hattan

(73) Assignee: **Portola Packaging, Inc.**, Batavia, IL (US)

(74) *Attorney, Agent, or Firm*—James P. Hanrath; Adam K. Sacharoff

(**) Term: **14 Years**

(57) **CLAIM**

(21) Appl. No.: **29/355,705**

The ornamental design for a bottom for a dispensing closure, as shown and described.

(22) Filed: **Feb. 12, 2010**

DESCRIPTION

Related U.S. Application Data

(63) Continuation-in-part of application No. 29/344,607, filed on Oct. 1, 2009, now Pat. No. Des. 612,729.

FIG. 1 is a top perspective view of a bottom for a dispensing closure in accordance with the invention shown with a top lid in the closed position;

(51) **LOC (9) Cl.** **09-07**

FIG. 2 is a front view of the bottom for a dispensing closure from FIG. 1;

(52) **U.S. Cl.** **D9/438; D9/454**

FIG. 3 is a back view of the bottom for a dispensing closure from FIG. 1;

(58) **Field of Classification Search** D9/529, D9/504, 503, 454, 453, 452, 450, 449, 447, D9/446, 443, 435; D7/900, 396.2, 392.1; 222/556, 544, 494, 480, 472, 321.9, 212, 222/185.1; 220/837, 835, 813, 810, 375, 220/254.5; 215/305, 228, 226, 200
See application file for complete search history.

FIG. 4 is a right side view of the bottom for a dispensing closure from FIG. 1;

FIG. 5 is a left side view of the bottom for a dispensing closure from FIG. 1;

(56) **References Cited**

U.S. PATENT DOCUMENTS

- D244,356 S * 5/1977 Pardo D9/453
- D378,803 S * 4/1997 Bolen et al. D9/449
- D508,853 S * 8/2005 Ziegenhorn et al. D9/449
- D530,612 S * 10/2006 Lohrman et al. D9/453
- D587,580 S * 3/2009 Kane et al. D9/453
- D588,915 S * 3/2009 Lohrman et al. D9/449
- D604,611 S * 11/2009 Ames et al. D9/453
- D608,198 S * 1/2010 Lohrman et al. D9/449
- D610,454 S * 2/2010 Lohrman et al. D9/449
- 2005/0092750 A1* 5/2005 Lohrman et al. 220/258.2
- 2008/0272084 A1* 11/2008 Lohrman et al. 215/255

FIG. 6 is a top view of the bottom for a dispensing closure from FIG. 1;

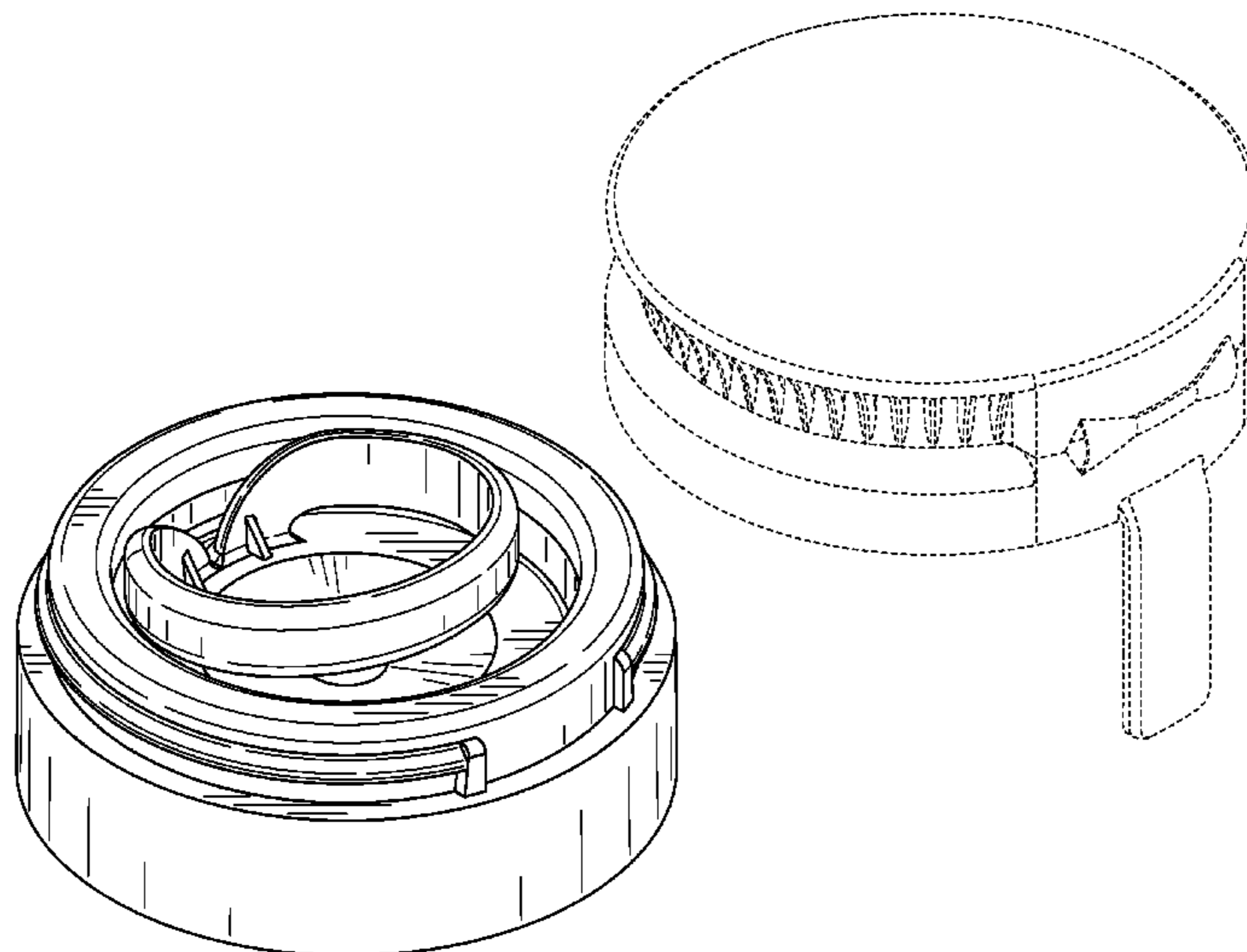
FIG. 7 is a bottom view of the bottom for a dispensing closure from FIG. 1;

FIG. 8 is a bottom perspective view of the bottom for a dispensing closure from FIG. 1; and,

FIG. 9 is a cross section view of the bottom for a dispensing closure from FIG. 1.

The broken line showing of a lid of the dispensing closure is for the purpose of illustrating portions of the environmental structure and forms no part of the claimed design.

1 Claim, 9 Drawing Sheets



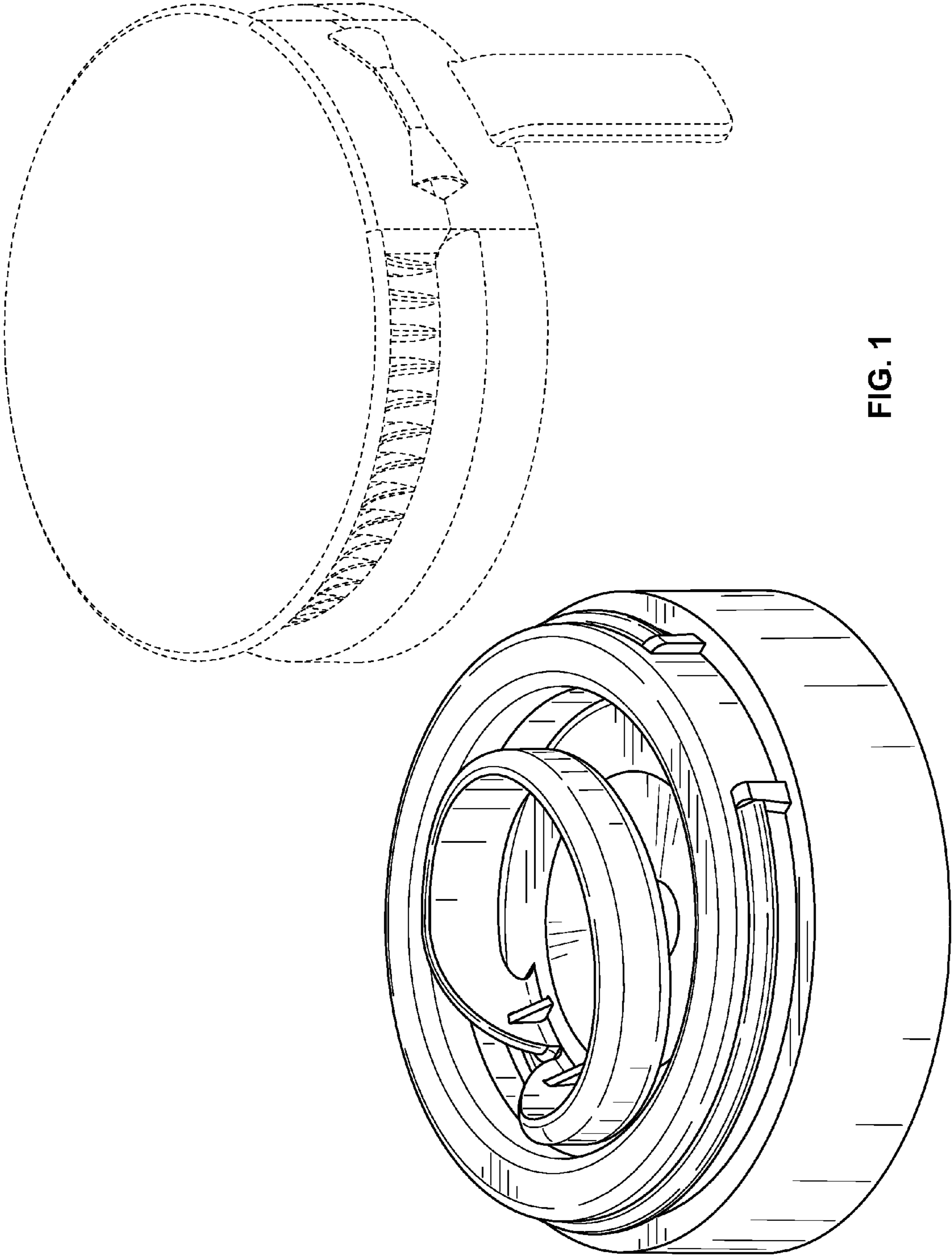


FIG. 1

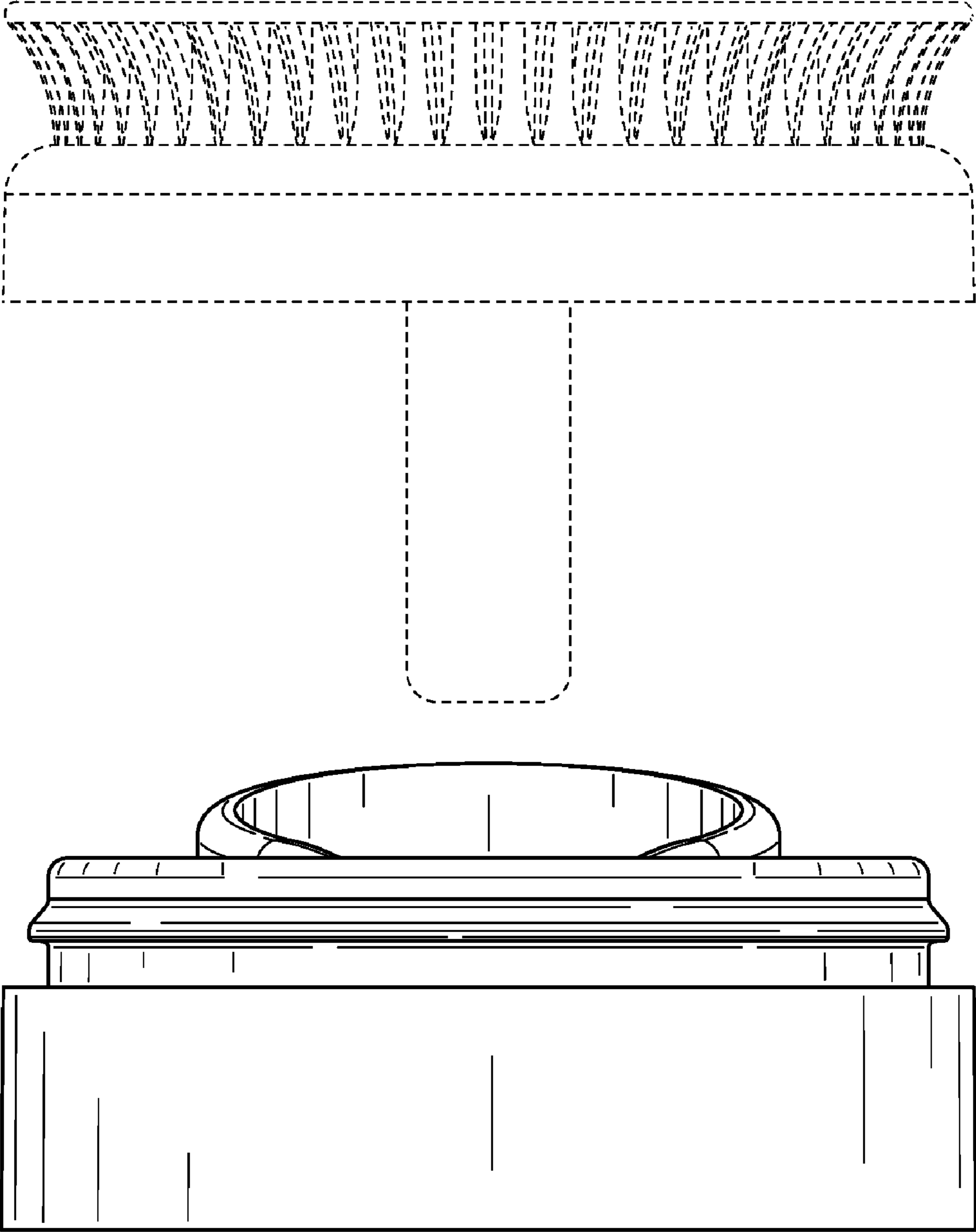


FIG. 2

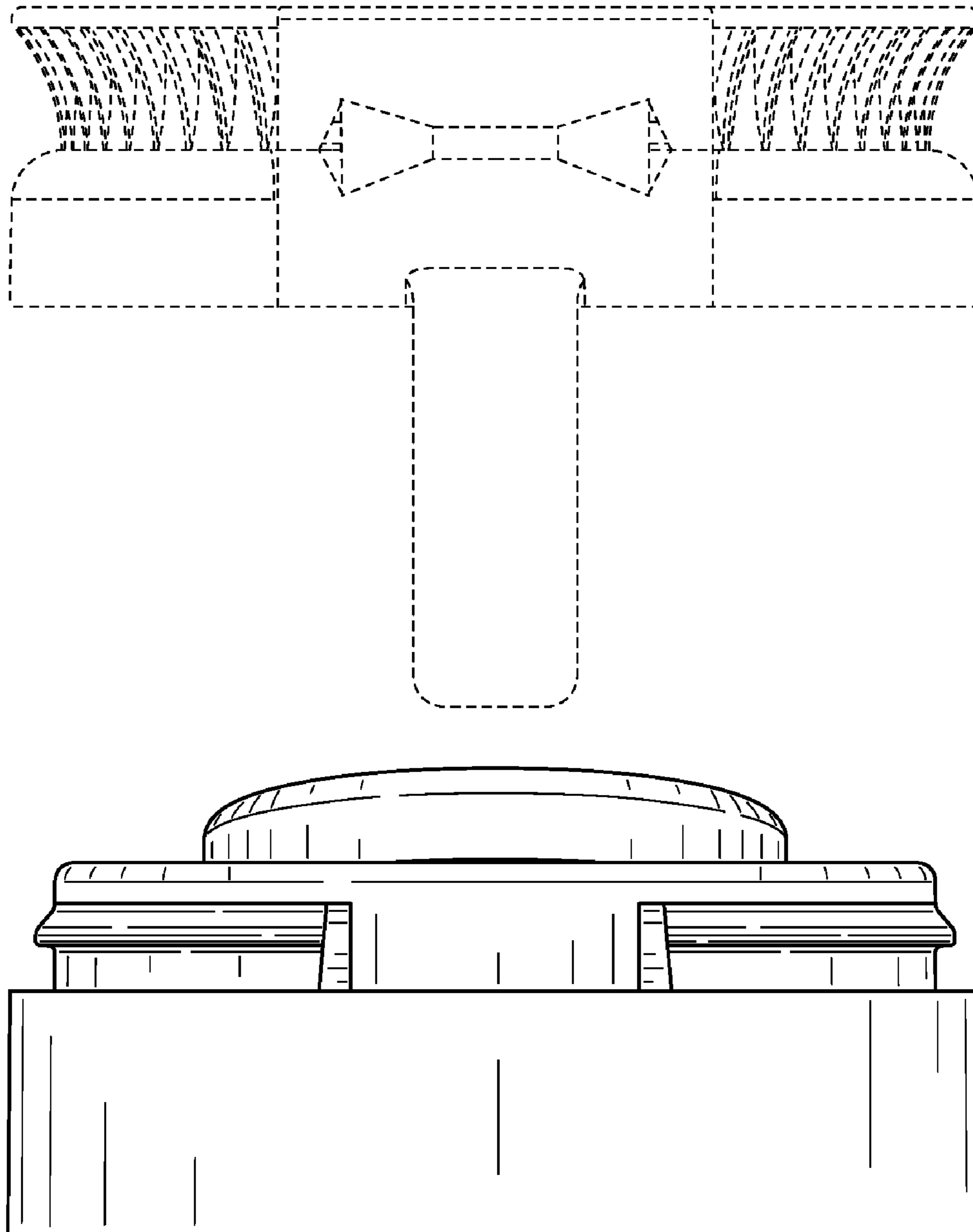


FIG. 3

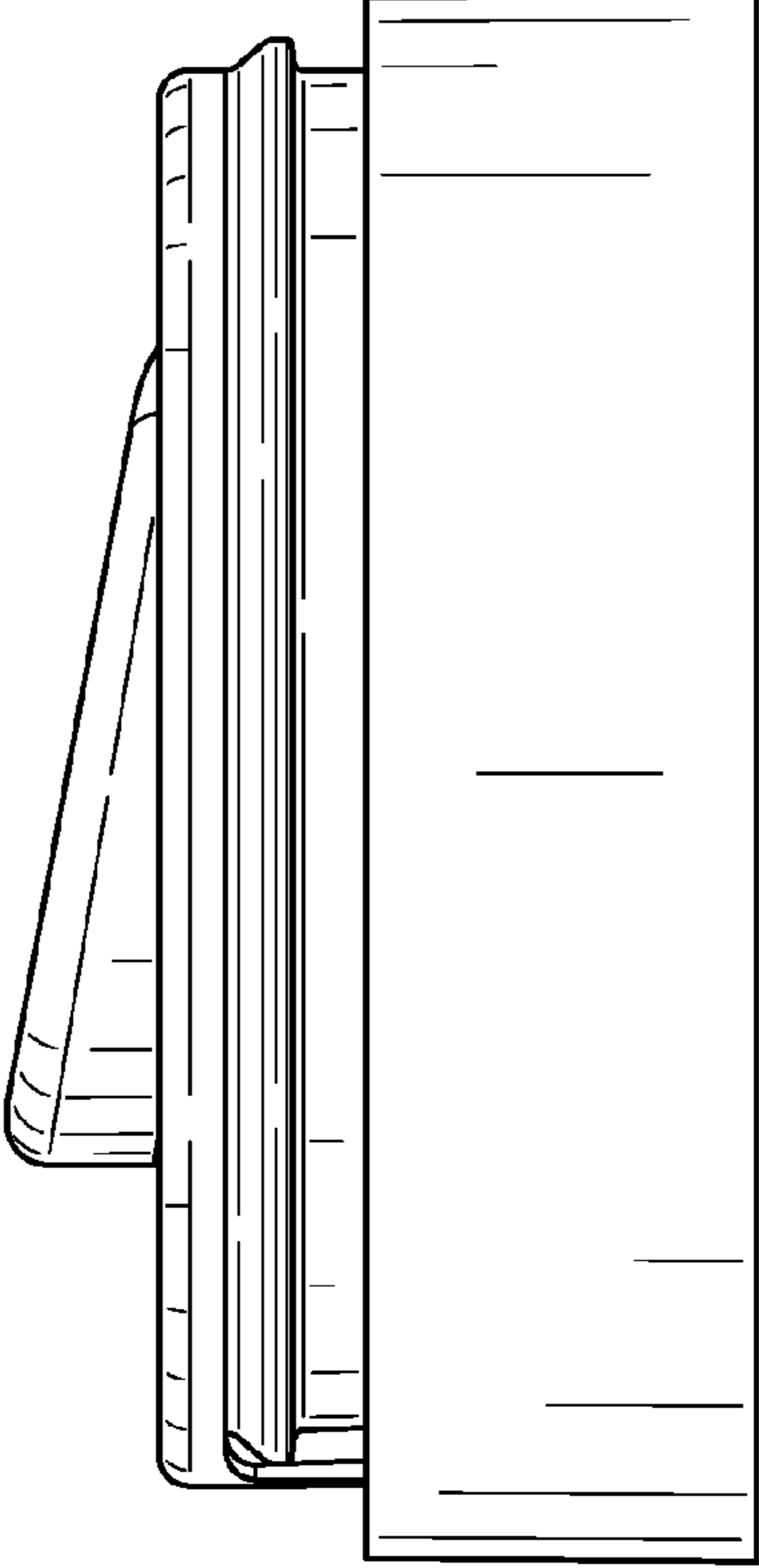
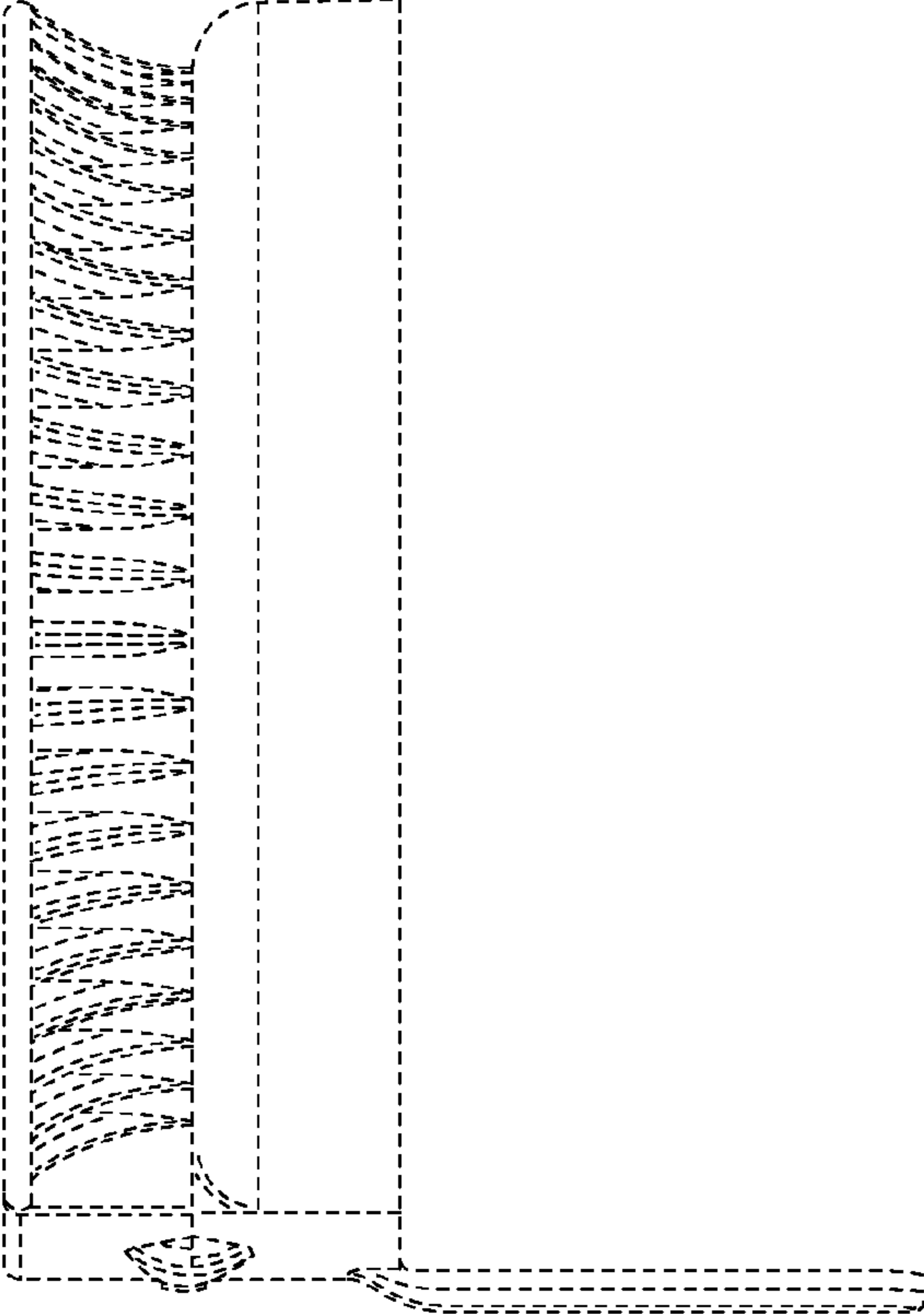


FIG. 4

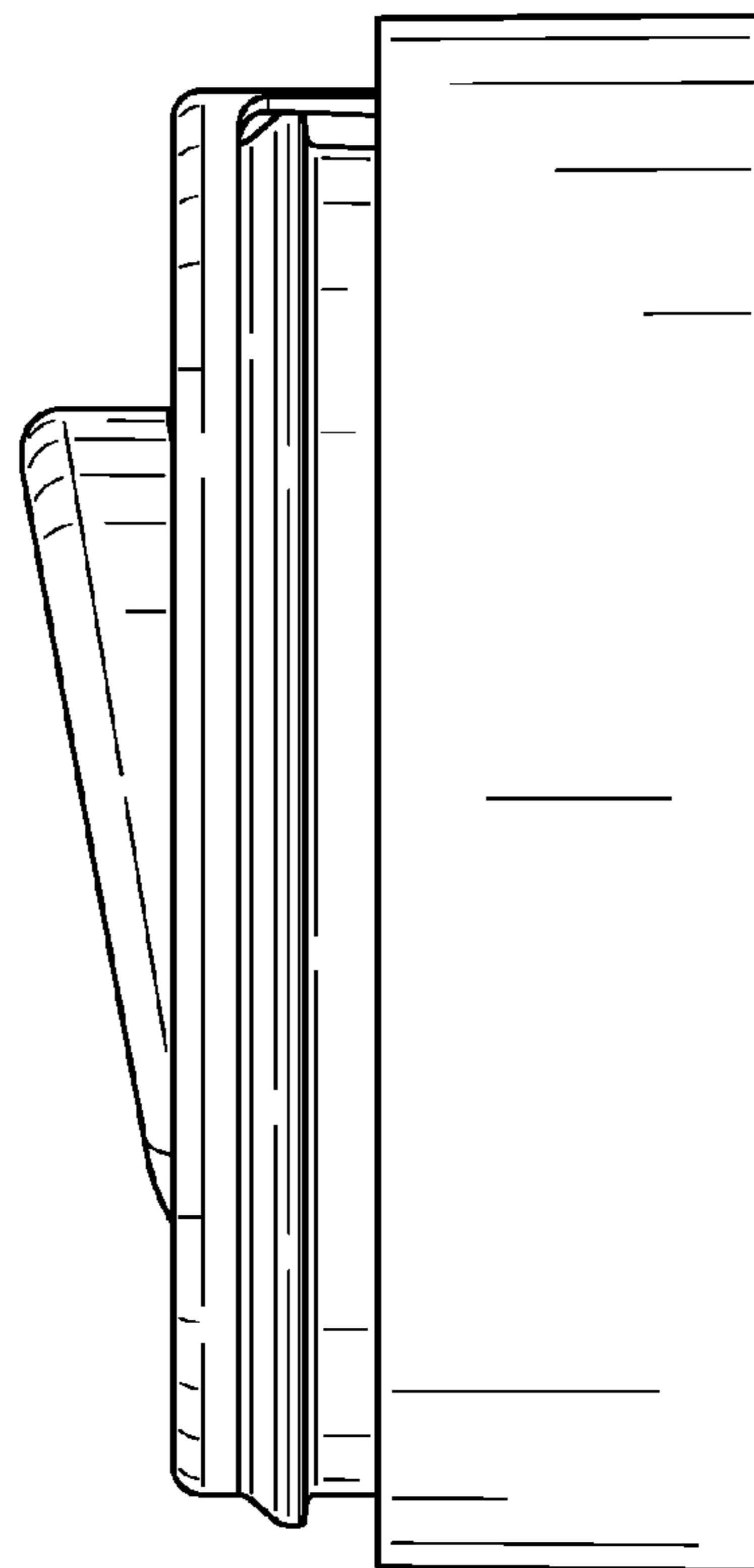
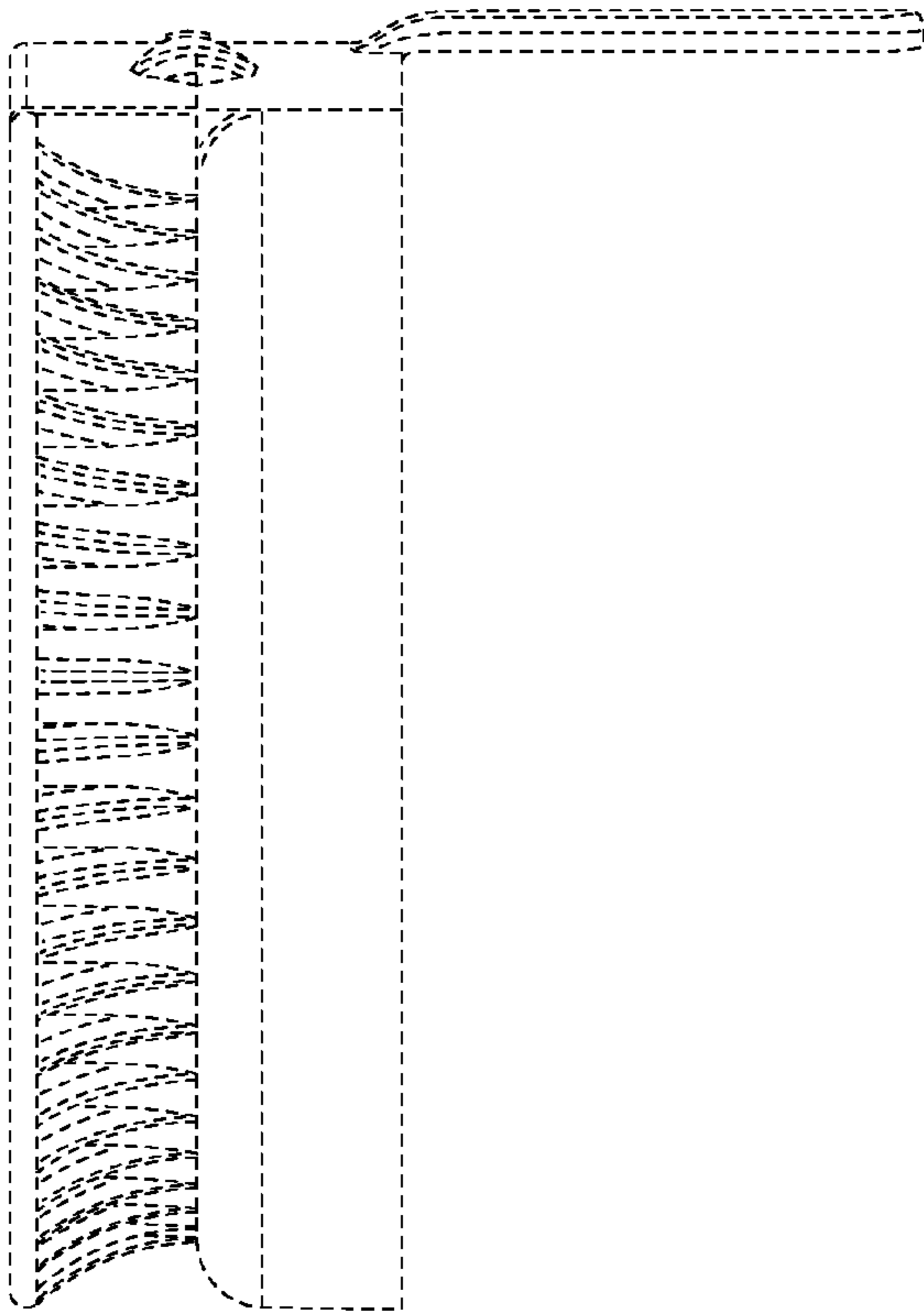


FIG. 5

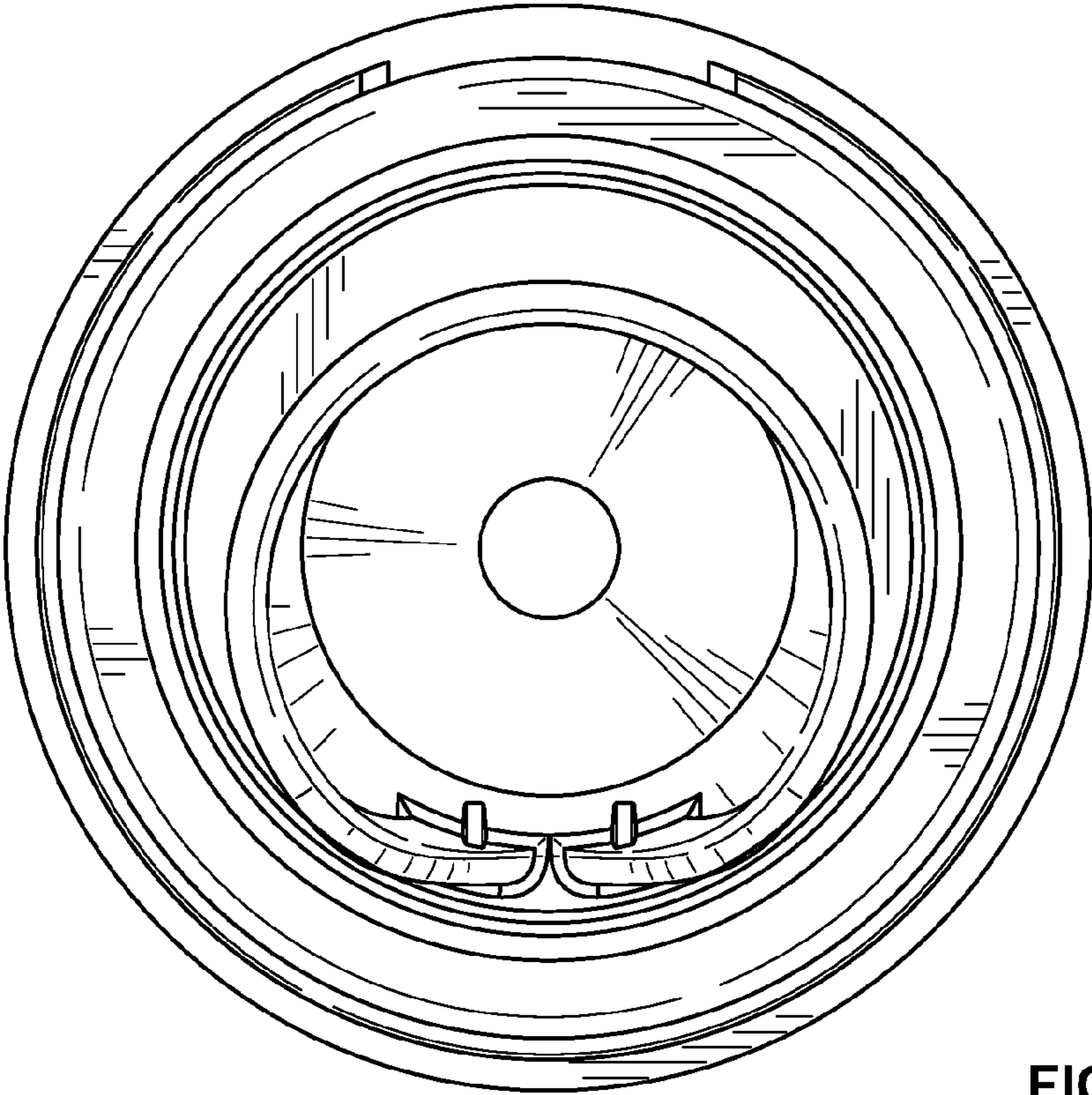
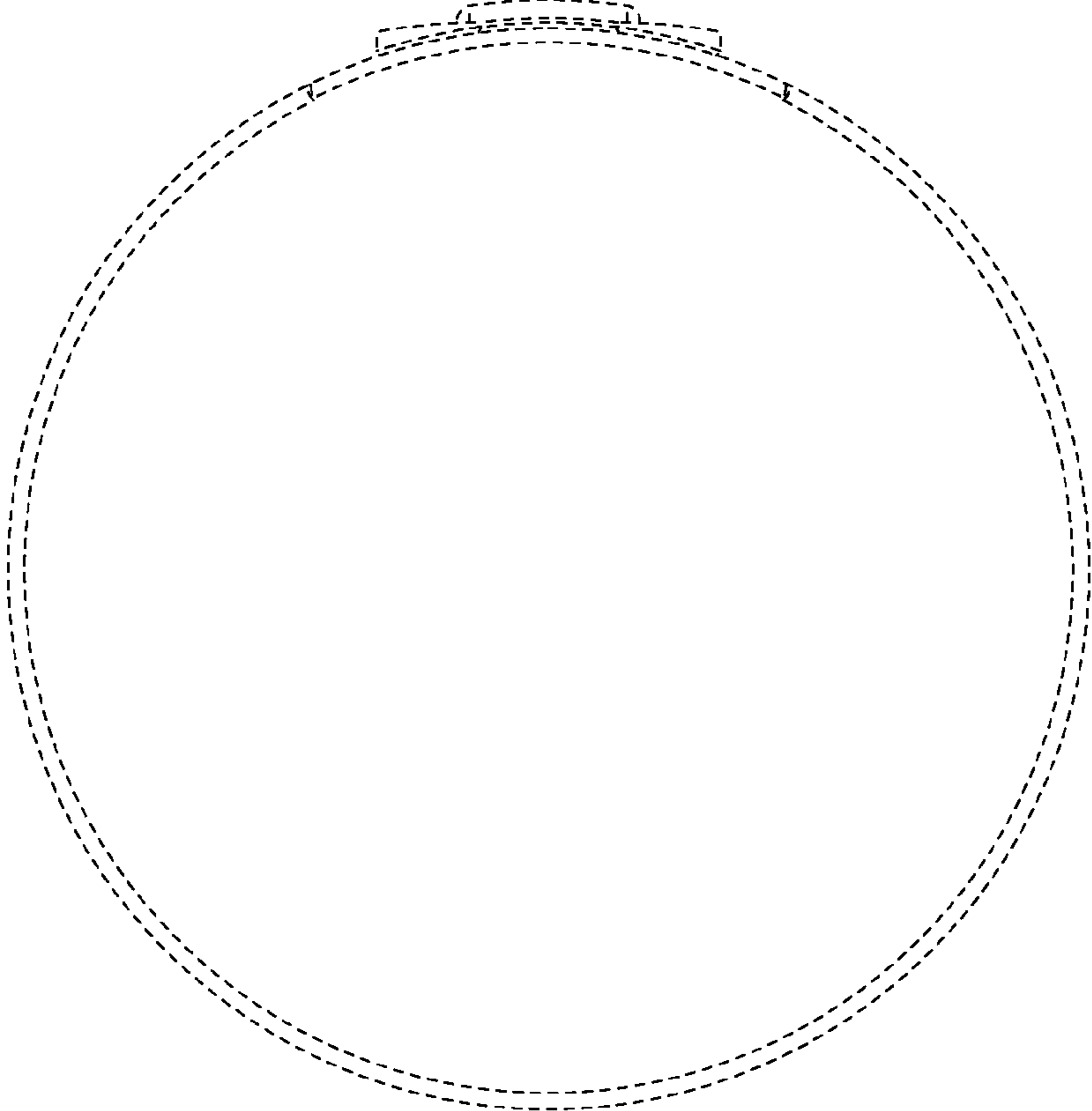


FIG. 6

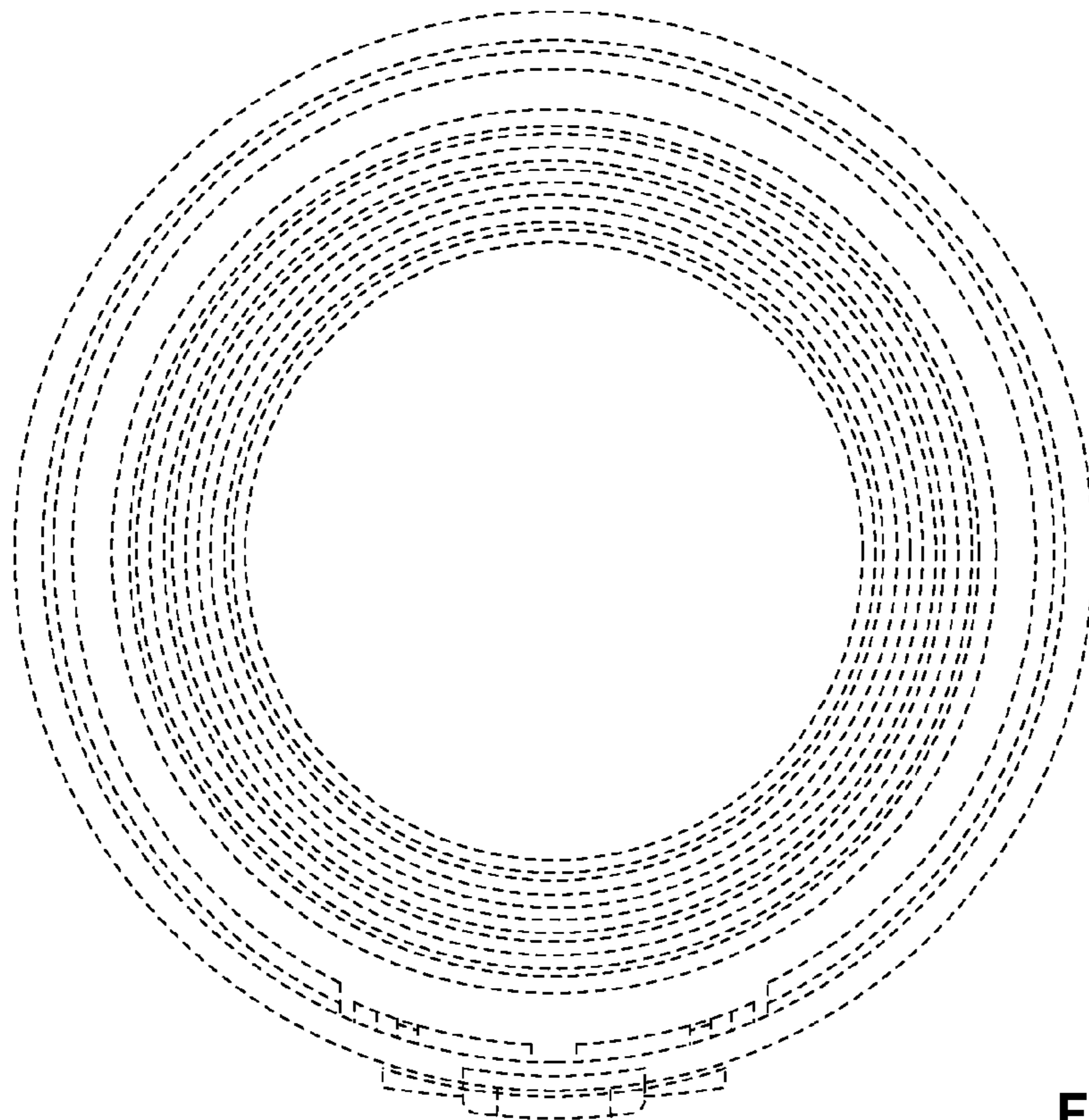
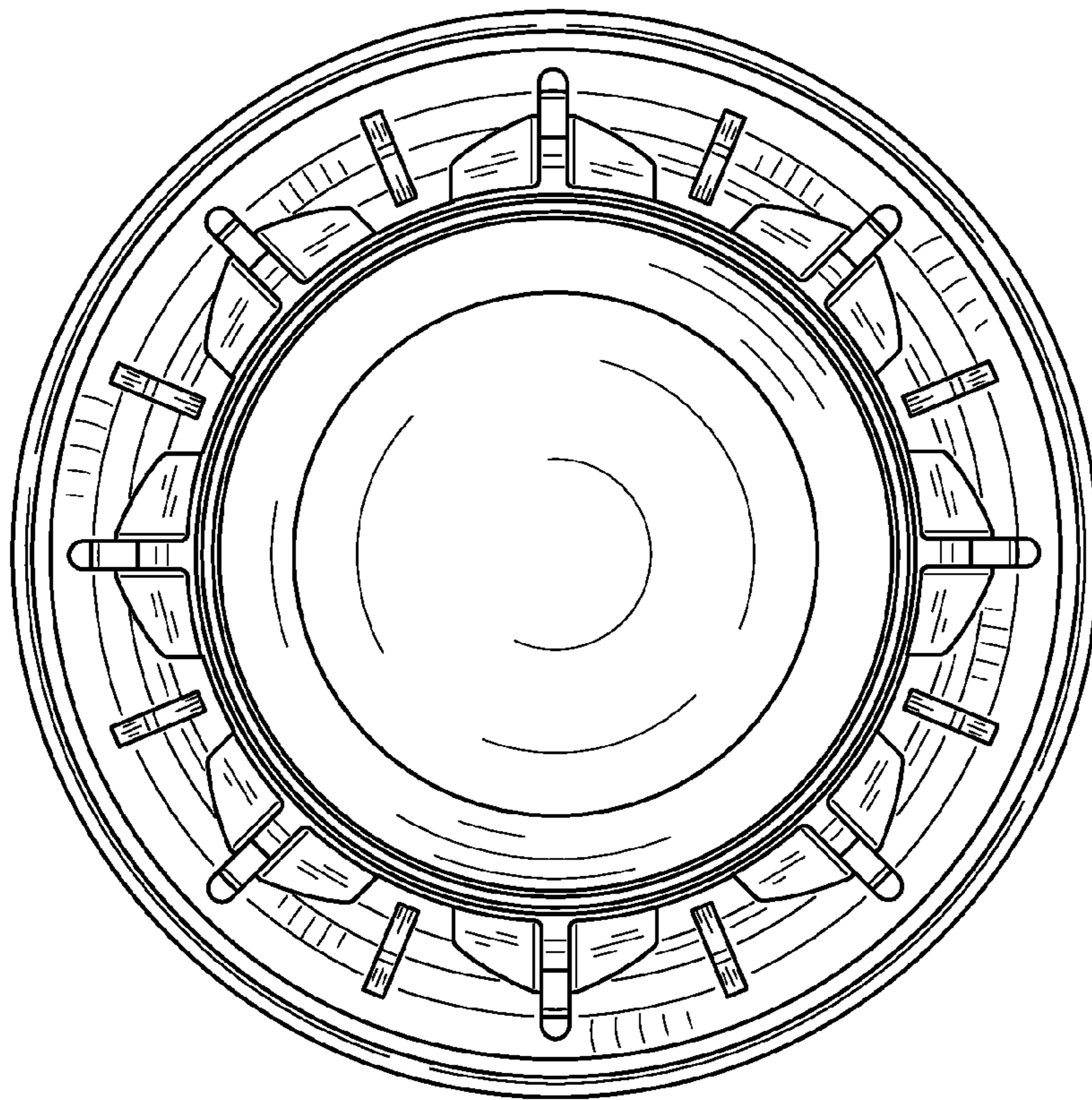


FIG. 7

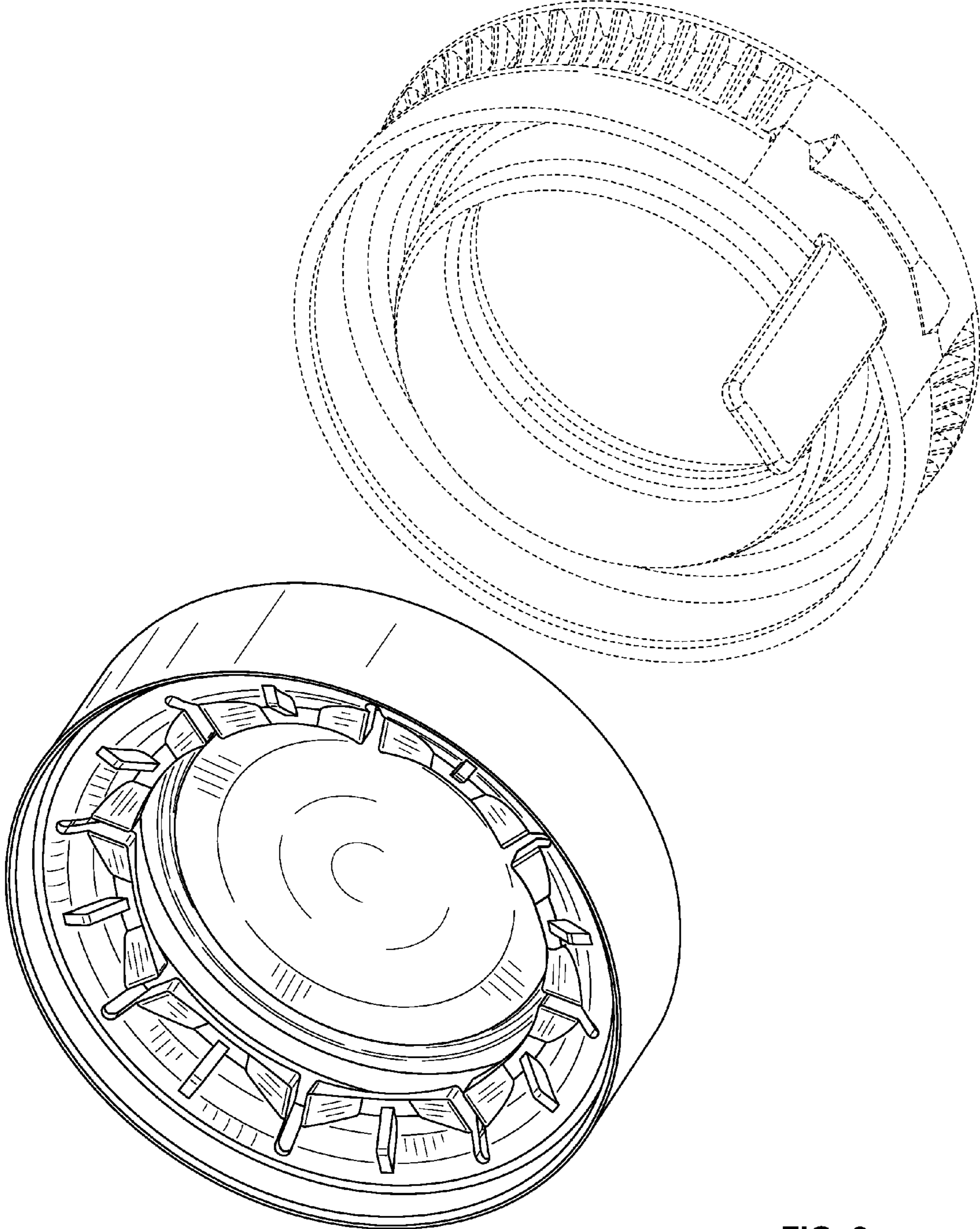


FIG. 8

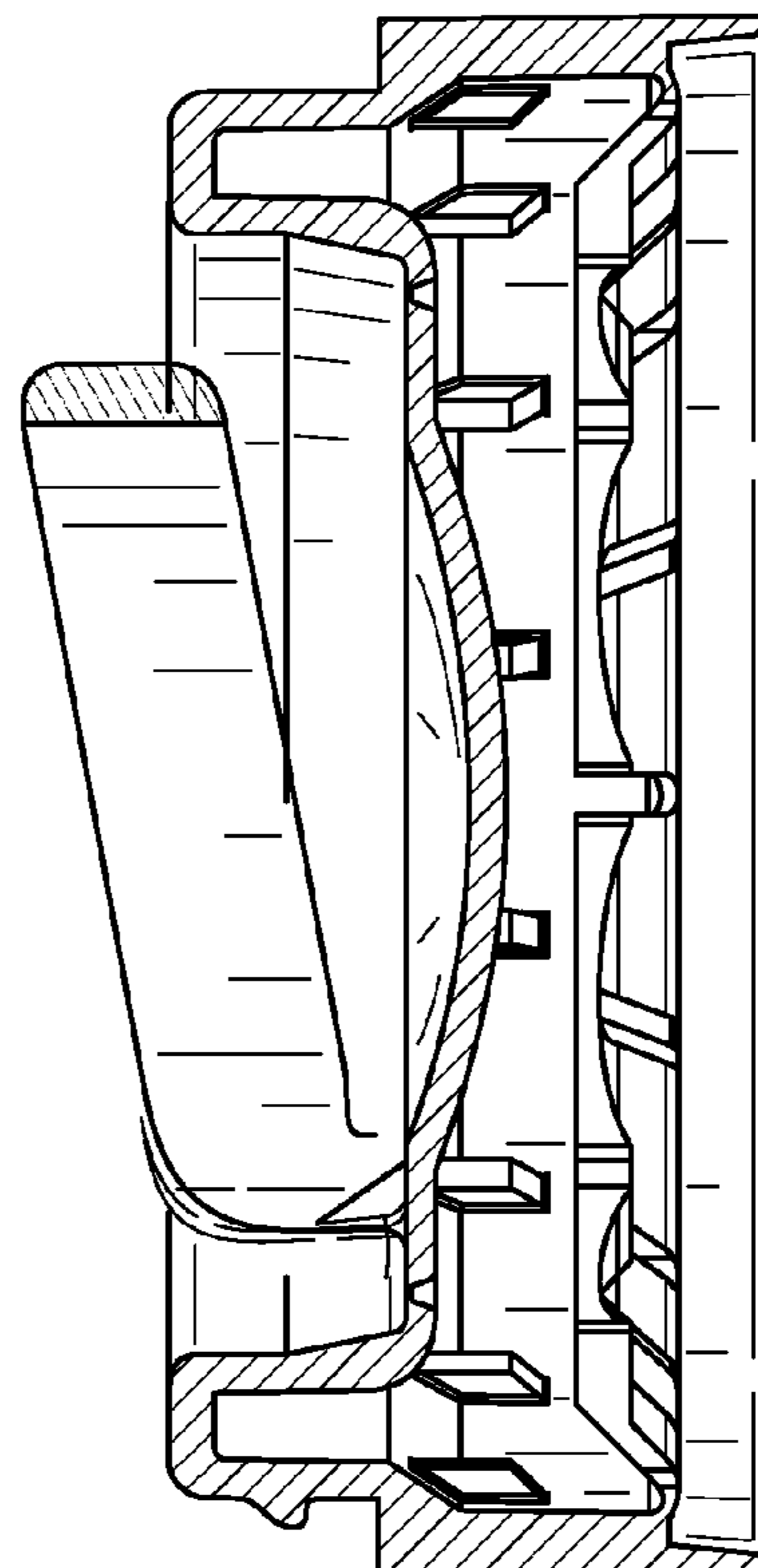
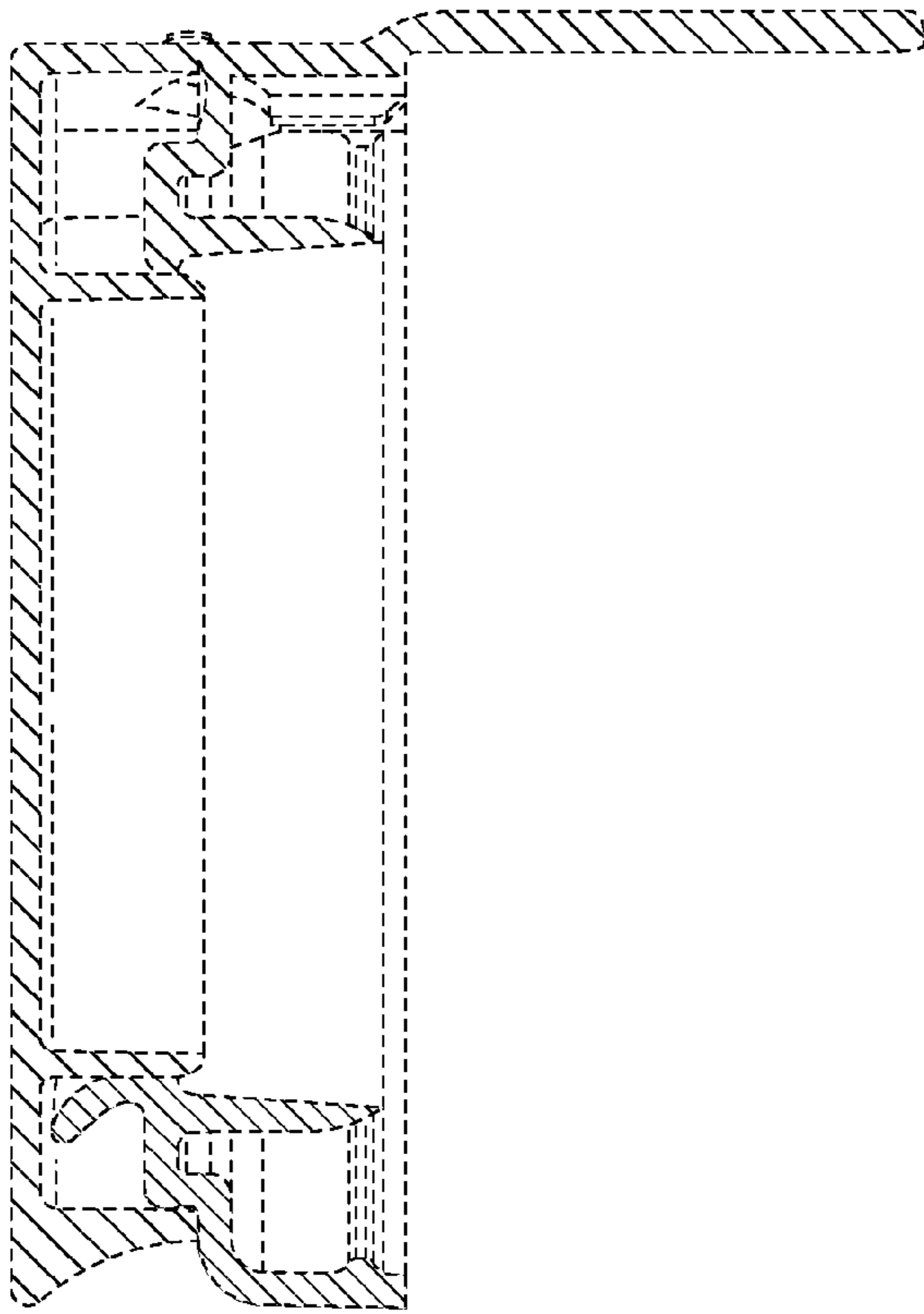


FIG. 9