



US00D626408S

(12) **United States Design Patent**
Evans

(10) **Patent No.:** **US D626,408 S**
(45) **Date of Patent:** **** Nov. 2, 2010**

(54) **BOX HOLDER**

(76) Inventor: **Donald L. Evans**, 9698 Shadowstone Way, Reno, NV (US) 89521

(**) Term: **14 Years**

(21) Appl. No.: **29/348,630**

(22) Filed: **Jan. 26, 2010**

(51) **LOC (9) Cl.** **08-08**

(52) **U.S. Cl.** **D8/395**

(58) **Field of Classification Search** D8/354,
D8/356, 371, 394-396; D19/65, 86; D24/128;
248/74.2, 215, 227.1, 49, 300, 301, 316.7,
248/51, 489; 24/570, 3.12; D3/203.2, 203.3;
D21/392

See application file for complete search history.

(56) **References Cited**

U.S. PATENT DOCUMENTS

D239,682	S	*	4/1976	Farmer	D6/553
4,457,482	A	*	7/1984	Kitagawa	248/74.3
D380,325	S	*	7/1997	Kempf	D6/518
D392,131	S	*	3/1998	Flagg	D6/511
5,937,745	A	*	8/1999	Boe	100/2
6,533,128	B1	*	3/2003	Beneway	211/40
D483,972	S	*	12/2003	Kirby	D6/513

6,669,157	B1	*	12/2003	Willin et al.	248/311.2
D492,864	S	*	7/2004	Mizusawa	D6/512
D511,261	S	*	11/2005	Dube	D6/513

* cited by examiner

Primary Examiner—T. Chase Nelson

Assistant Examiner—John Windmuller

(74) *Attorney, Agent, or Firm*—George W. Wasson

(57) **CLAIM**

The ornamental design for a box holder, as shown and described.

DESCRIPTION

FIG. 1 is a front elevation view of a box holder showing my new design, the rear elevation view being identical;

FIG. 2 is a side elevation view thereof, the other side elevation view being identical;

FIG. 3 is a top plan view thereof;

FIG. 4 is a bottom plan view thereof;

FIG. 5 is a top perspective view thereof; and,

FIG. 6 is a top perspective view thereof in use with a box.

The broken line showing of a box in FIG. 6 depicts environment only and forms part of the claimed design.

1 Claim, 4 Drawing Sheets

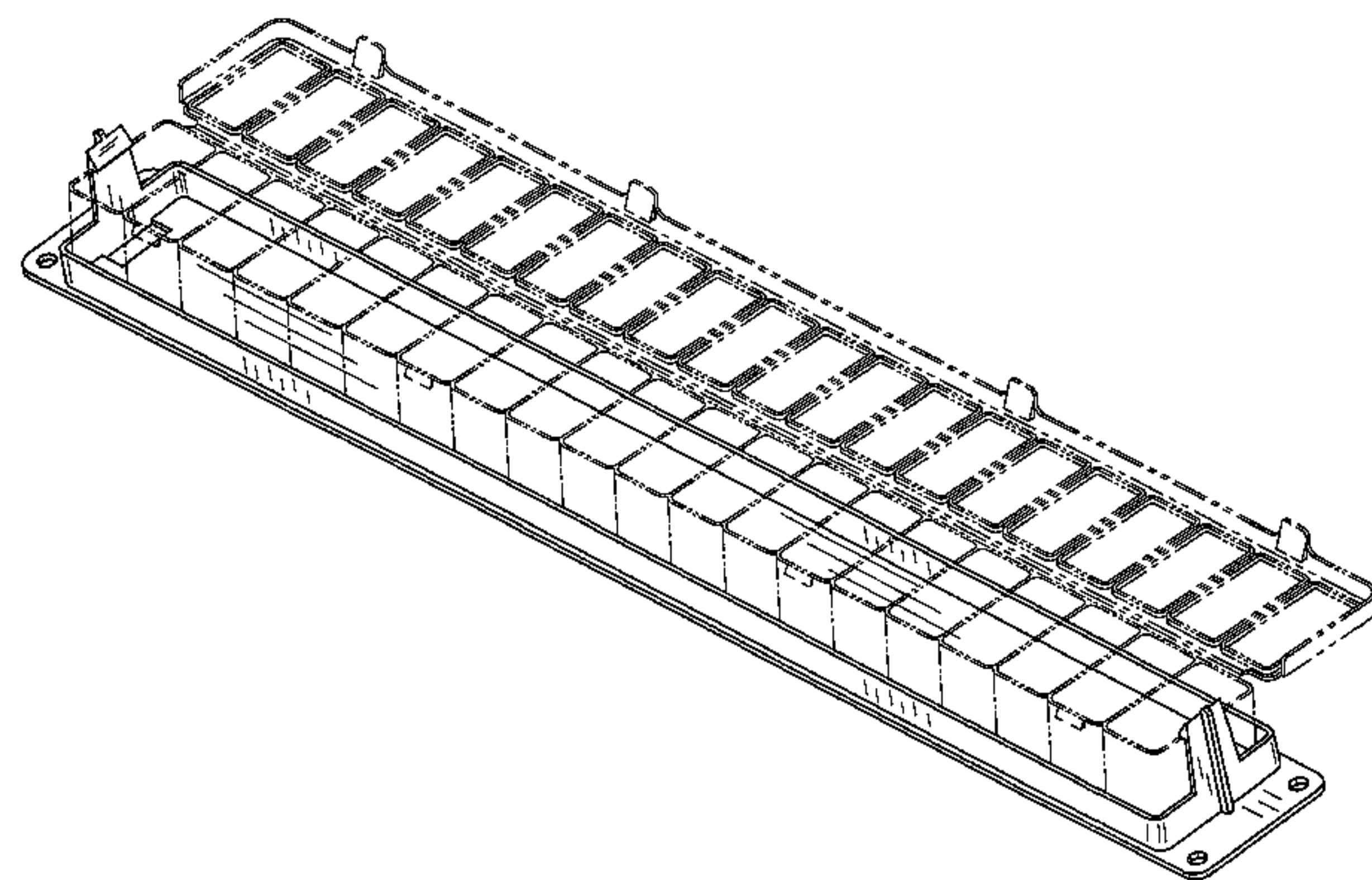
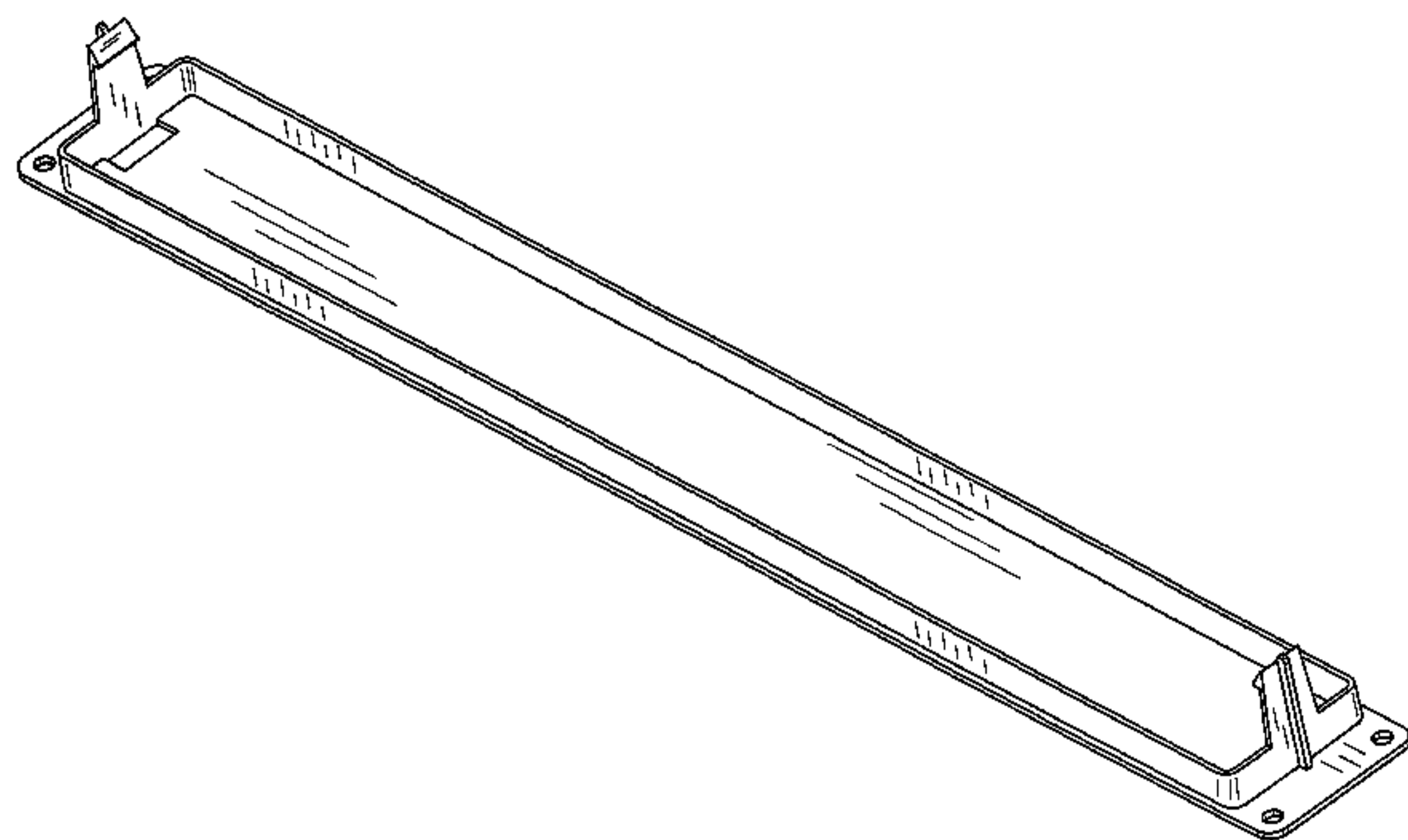




FIG. 1

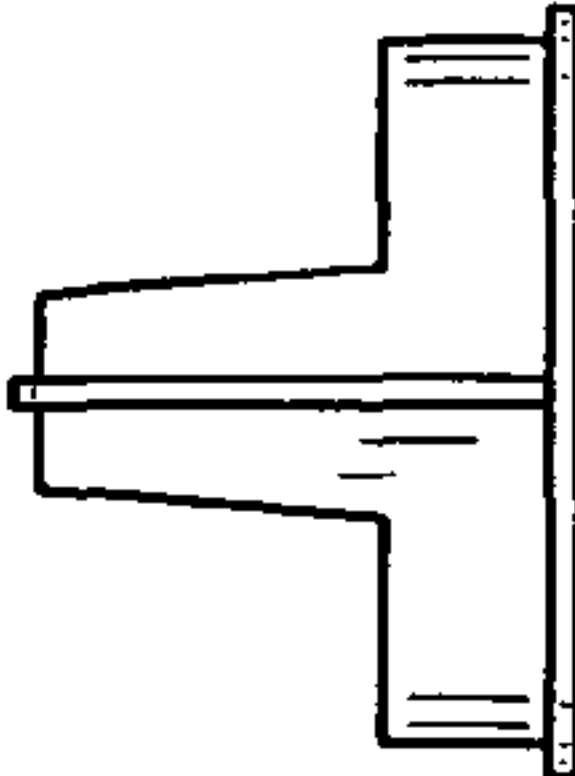


FIG. 2

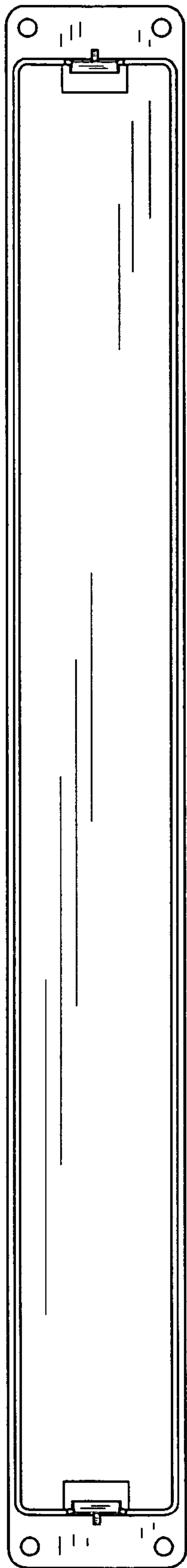


FIG. 3

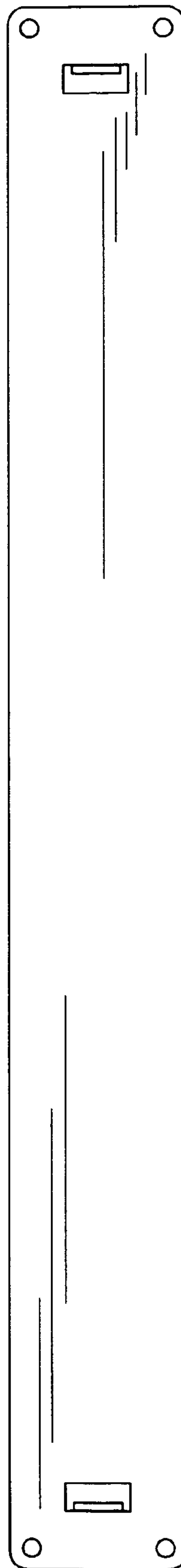


FIG. 4

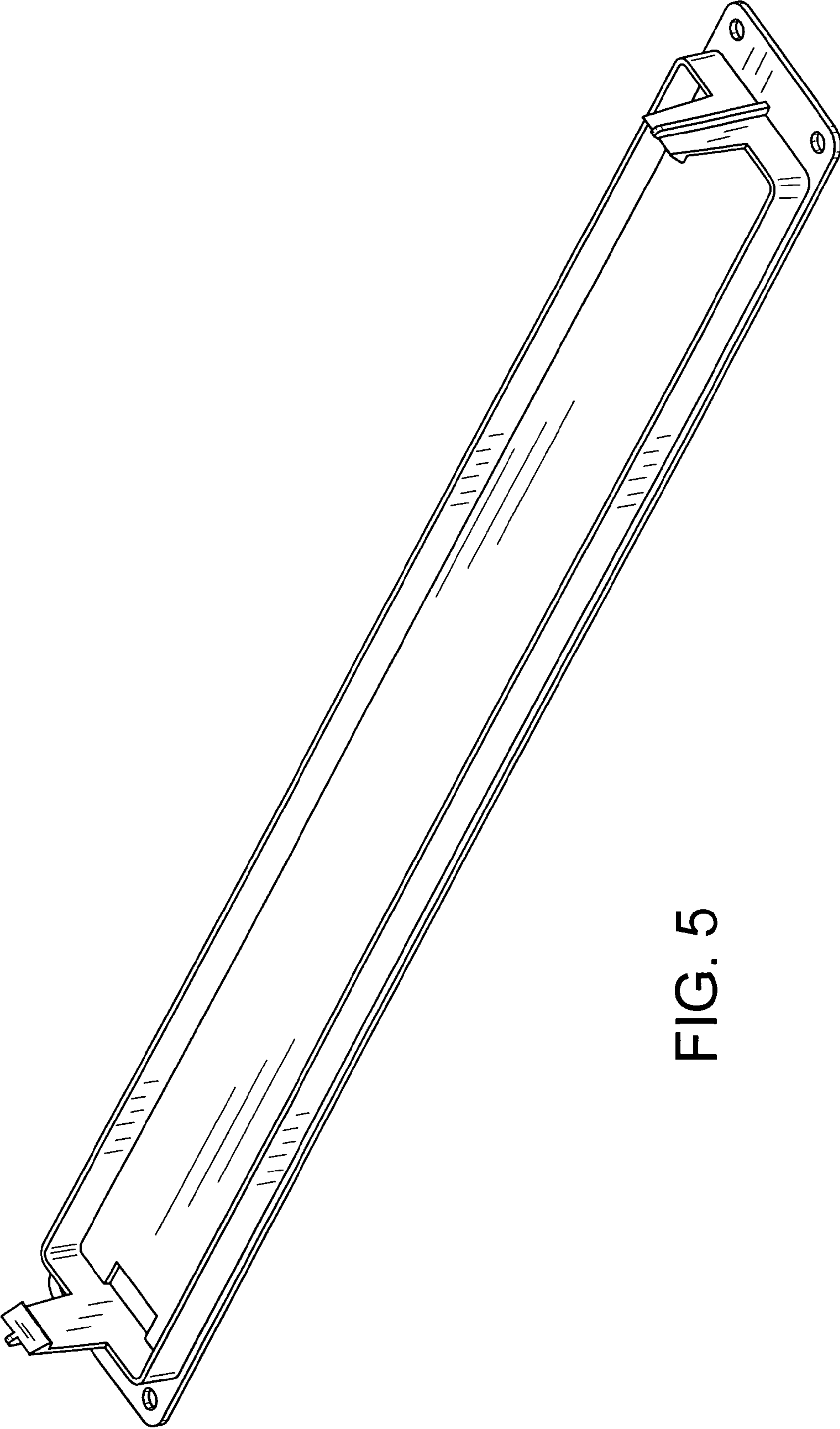


FIG. 5

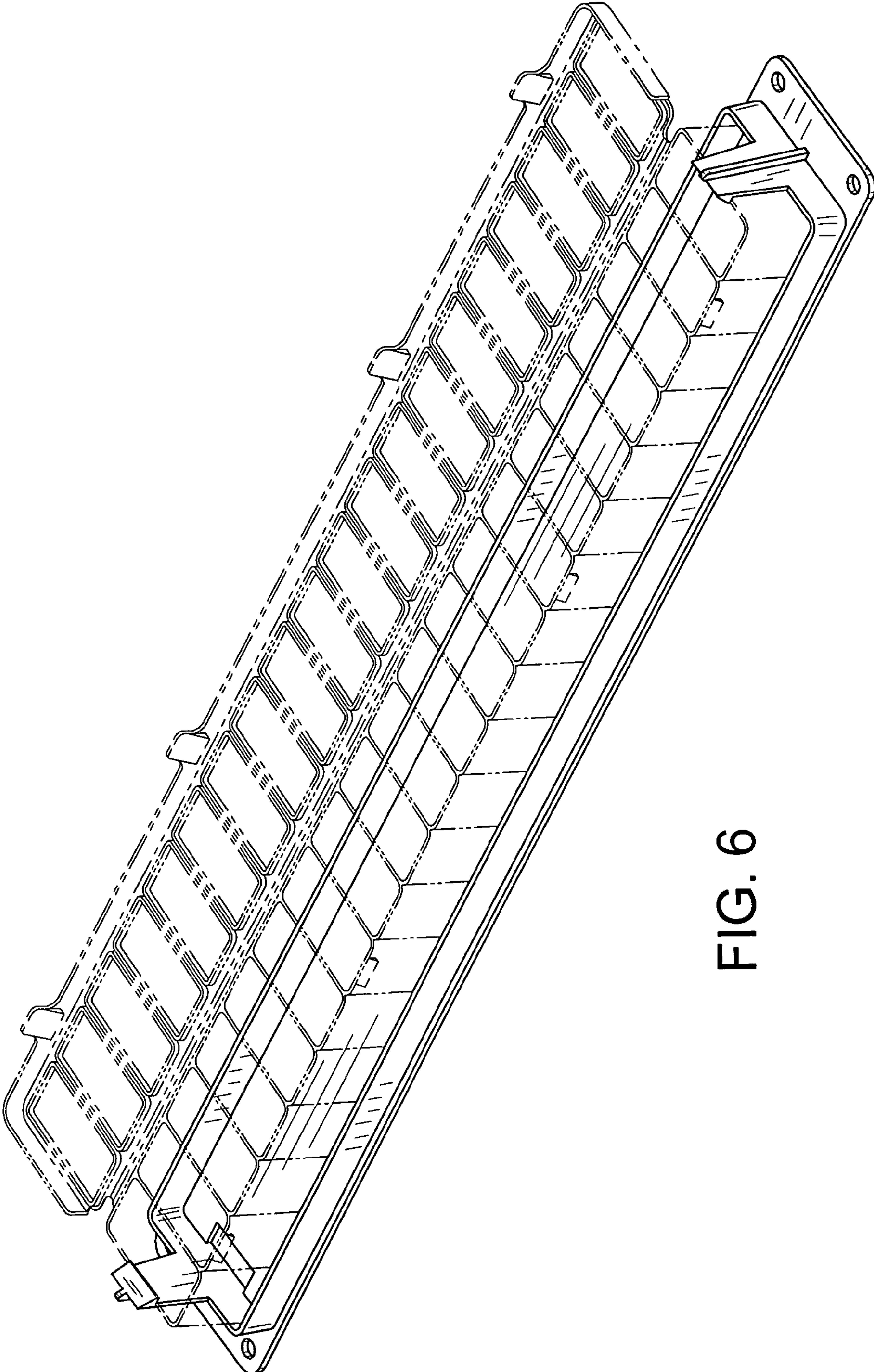


FIG. 6