



US00D626406S

(12) **United States Design Patent**
Tedesco et al.

(10) **Patent No.:** **US D626,406 S**

(45) **Date of Patent:** **** *Nov. 2, 2010**

(54) **MOUNTING BRACKET USEFUL FOR
CEILING GRID SYSTEMS**

(75) Inventors: **Lee Matthew Tedesco**, Shorewood, IL
(US); **James Joseph Lehane, Jr.**,
McHenry, IL (US); **Abraham Monroe**
Underkofler, Waukegan, IL (US); **Mark**
Robert Paulsen, Waukegan, IL (US)

(73) Assignee: **USG Interiors, Inc.**, Chicago, IL (US)

(*) Notice: This patent is subject to a terminal dis-
claimer.

(**) Term: **14 Years**

(21) Appl. No.: **29/352,477**

(22) Filed: **Dec. 22, 2009**

(51) **LOC (9) Cl.** **08-08**

(52) **U.S. Cl.** **D8/394; D8/380**

(58) **Field of Classification Search** D8/394,
D8/395, 356, 380, 382, 371, 366, 354; D19/65,
D19/56; 24/22, 67 R, 20 S, 115 R, 546, 563,
24/910, 343; 248/74.2, 215, 227.1, 49, 300,
248/301, 316.7, 51, 489; 211/162; 52/512,
52/506.05-506.09

See application file for complete search history.

(56) **References Cited**

U.S. PATENT DOCUMENTS

6,315,489 B1 * 11/2001 Watanabe 403/381
6,402,419 B1 * 6/2002 Watanabe 403/381

D472,792 S * 4/2003 Callahan et al. D8/349
6,957,517 B2 * 10/2005 Auriemma 52/506.07
D543,447 S * 5/2007 Allsopp D8/394
D587,640 S * 3/2009 Fraser et al. D12/223
D591,585 S * 5/2009 Hikai D8/382
7,591,445 B2 * 9/2009 Kuntze 248/222.11
7,665,260 B2 * 2/2010 Hikai 52/506.05
D610,899 S * 3/2010 Hikai D8/382
2001/0045075 A1 * 11/2001 Watanabe 52/712
2005/0102944 A1 * 5/2005 Hikai 52/511

* cited by examiner

Primary Examiner—T. Chase Nelson

Assistant Examiner—John Windmuller

(74) *Attorney, Agent, or Firm*—Pradip K. Sahu; David F.
Janci; Philip T. Petti

(57) **CLAIM**

The ornamental design for a mounting bracket useful for
ceiling grid systems, as shown and described.

DESCRIPTION

FIG. 1 is a perspective view of a mounting bracket useful for
ceiling grid systems showing our new design;

FIG. 2 is a front view of same; A back view of same is omitted
since it is a mirror image of the front view shown in FIG. 2;

FIG. 3 is a left side view of same; A right side view of same is
omitted since it is a mirror image of the left side view shown
in FIG. 3;

FIG. 4 is a top view of same; and,

FIG. 5 is a bottom view of same.

1 Claim, 1 Drawing Sheet

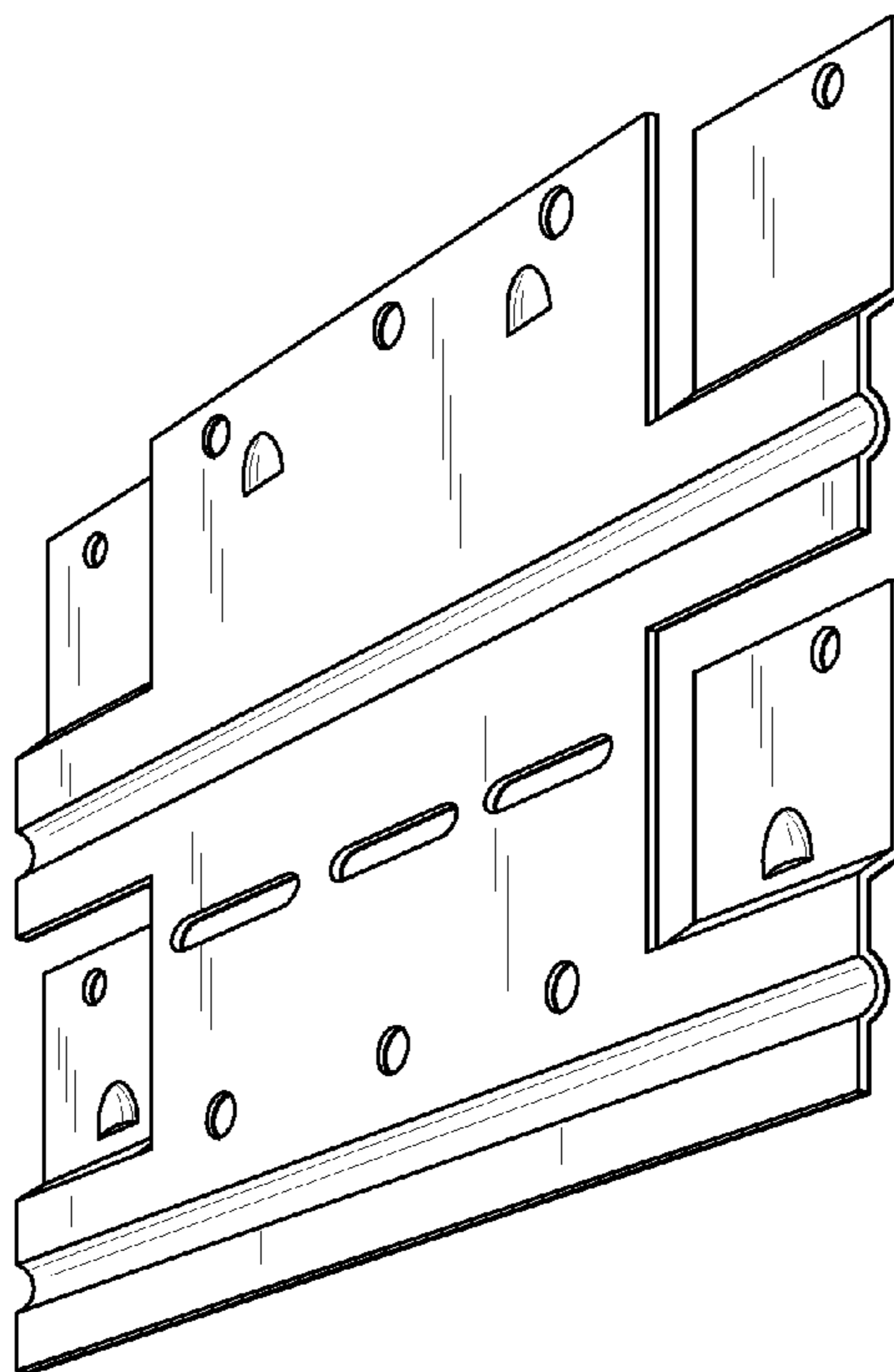


FIG. 1

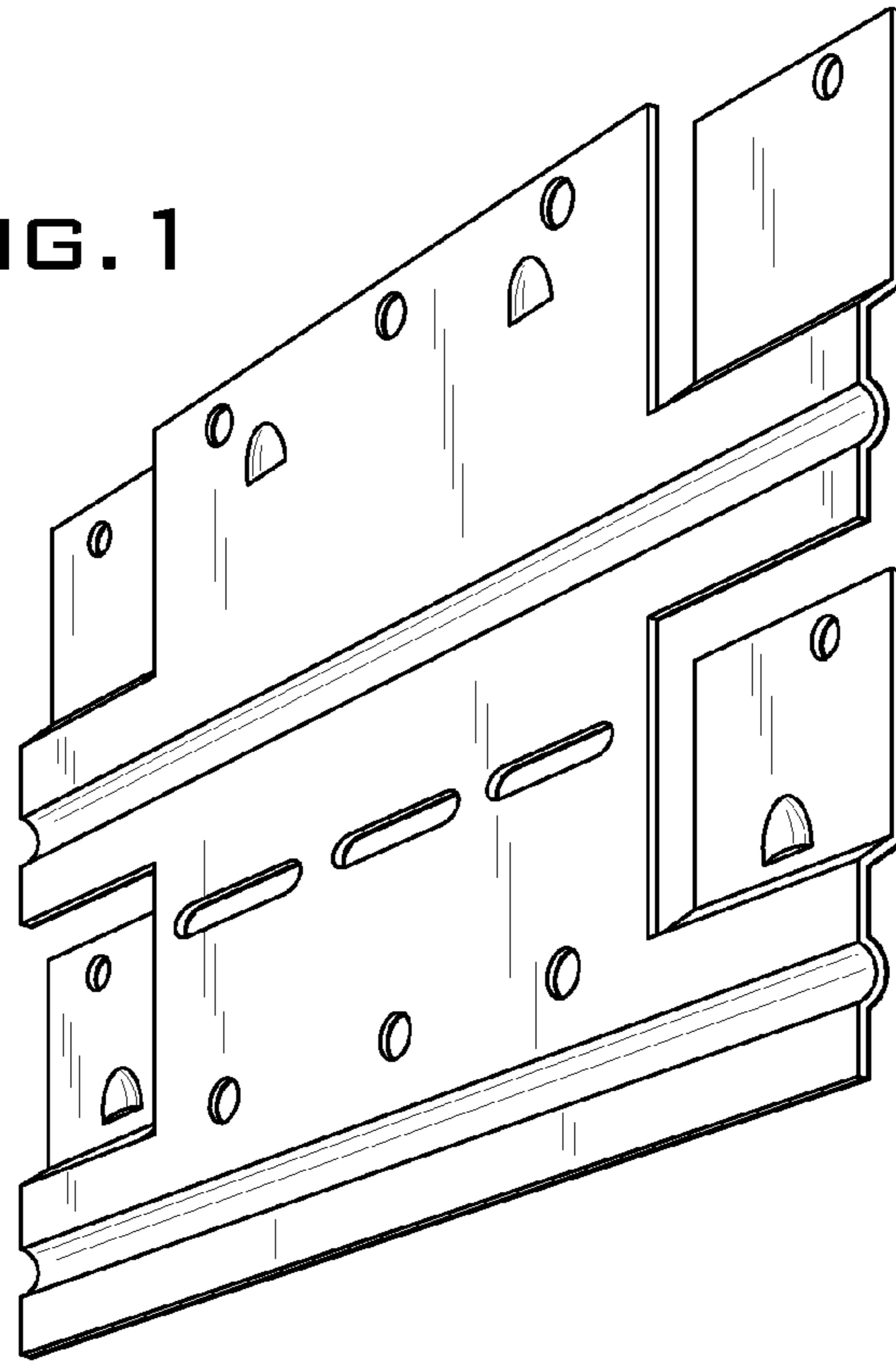


FIG. 4

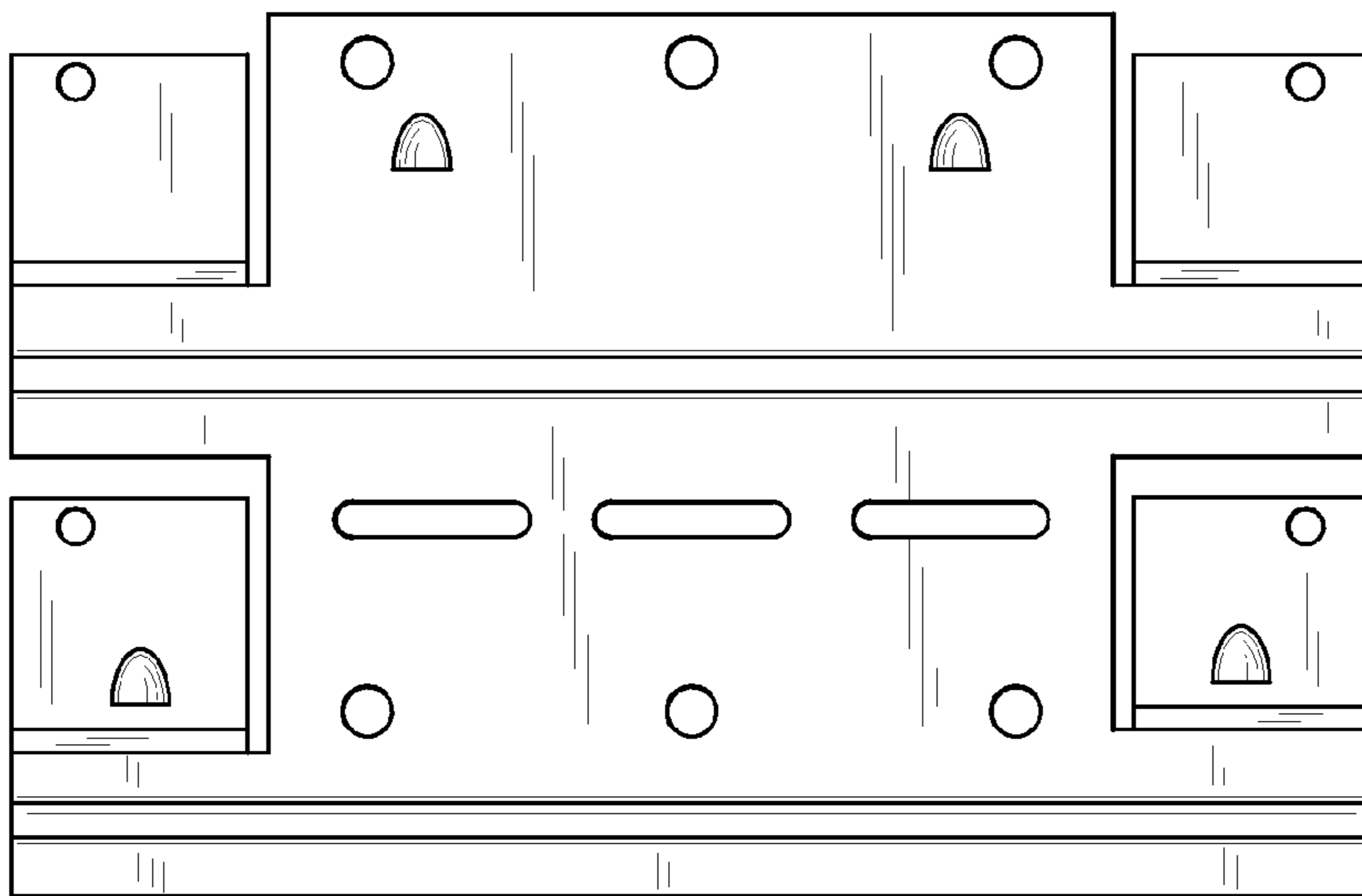


FIG. 2

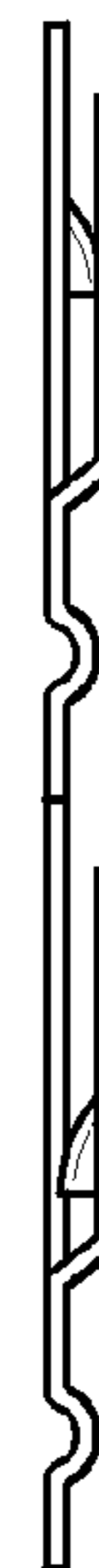


FIG. 3

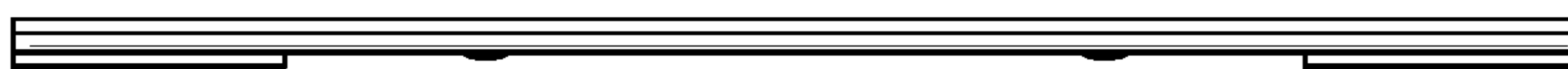


FIG. 5