



US00D626405S

(12) **United States Design Patent**
Goad

(10) **Patent No.:** **US D626,405 S**
(45) **Date of Patent:** **** Nov. 2, 2010**

(54) **TUBING CONNECTOR FOR A GRAB RAILING**

(76) Inventor: **Eugene W. Goad**, P.O. Box 268, Ely, MN (US) 55731

(**) Term: **14 Years**

(21) Appl. No.: **29/350,380**

(22) Filed: **Nov. 16, 2009**

(51) **LOC (9) Cl.** **08-08**

(52) **U.S. Cl.** **D8/382**

(58) **Field of Classification Search** D8/382;
403/64, 75, 169

See application file for complete search history.

(56) **References Cited**

U.S. PATENT DOCUMENTS

2,147,879 A 2/1939 Burmeister

(Continued)

OTHER PUBLICATIONS

Modular Grab Bars by C. D. Sparling, <http://www.cdsparling.com/modular.htm>, pp. 1-2.

(Continued)

Primary Examiner—Doris Clark

(74) *Attorney, Agent, or Firm*—James V. Harmon; Nikolai & Mersereau, P.A.

(57) **CLAIM**

The ornamental design for a “tubing connector for a grab railing,” as shown and described.

DESCRIPTION

FIG. 1 is a perspective view of the straight tubing connector of the present invention;

FIG. 2 is an end elevational view of the connector of FIG. 1 as seen from each end thereof;

FIG. 3 is a right and left side elevational view of the connector of FIG. 1;

FIG. 4 is a top plan view of the connector of FIG. 1;

FIG. 5 is a bottom plan view of the connector of FIG. 1;

FIG. 6 is a perspective view of a 90° elbow tubing connector of the present invention;

FIG. 7 is a top plan view of the tubing connector of FIG. 6;

FIG. 8 is a side elevational view of the tubing connector of FIG. 6 as seen from the left side thereof;

FIG. 9 is a side elevational view of the connector of FIG. 6 as seen from the right rear side thereof;

FIG. 10 is an end elevational view of the connector as seen from the left side of FIG. 6;

FIG. 11 is a side elevational view of the connector as seen from the right side of FIG. 6;

FIG. 12 is a bottom plan view of the connector shown in FIG. 6;

FIG. 13 is a perspective view of a 45° elbow connector of the present invention;

FIG. 14 is a side elevational view of the connector of FIG. 13 as seen from the right side of FIG. 13;

FIG. 15 is a side elevational view of the connector shown in FIG. 13 as seen from the rear in FIG. 13;

FIG. 16 is a top plan view of the tubing connector of FIG. 13;

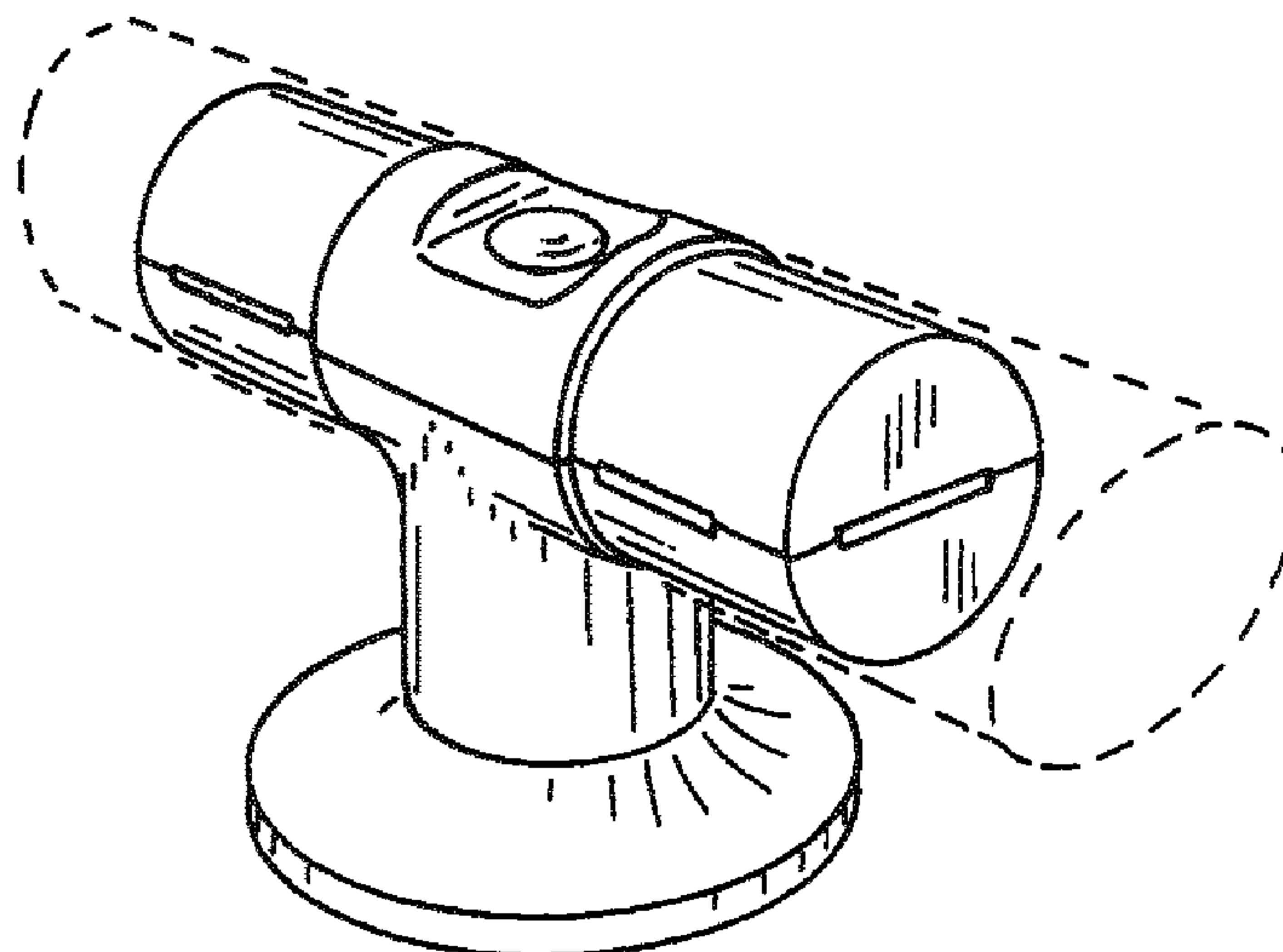
FIG. 17 is an end elevational view of the tubing connector of FIG. 13 as seen the right in FIG. 13;

FIG. 18 is a side elevational view of the tubing connector of FIG. 13 as seen from the left side thereof; and,

FIG. 19 is a bottom plan view of the tubing connector of FIG. 13.

The broken lines are for illustrative purposes only and form no part of the claimed design.

1 Claim, 3 Drawing Sheets



US D626,405 S

Page 2

U.S. PATENT DOCUMENTS

3,233,871 A 2/1966 Schroer
5,421,666 A 6/1995 Spears
5,429,417 A 7/1995 Kim
5,690,237 A 11/1997 Marzee
5,908,260 A 6/1999 Watson
6,095,713 A 8/2000 Doyle
6,430,759 B1 8/2002 Beltran
D592,492 S * 5/2009 Werschmidt D8/382
D606,387 S * 12/2009 Werschmidt D8/382

D606,388 S * 12/2009 Werschmidt D8/382
D606,389 S * 12/2009 Werschmidt D8/382
2004/0101354 A1 * 5/2004 Nakahori et al. 403/169
2007/0086852 A1 4/2007 Goad
2009/0101354 A1 4/2009 Nakahori et al.

OTHER PUBLICATIONS

Grab Bars by Disability Products, Inc., <http://www.adv-safety.com/grab-bars.htm>, pp. 1-3.

* cited by examiner

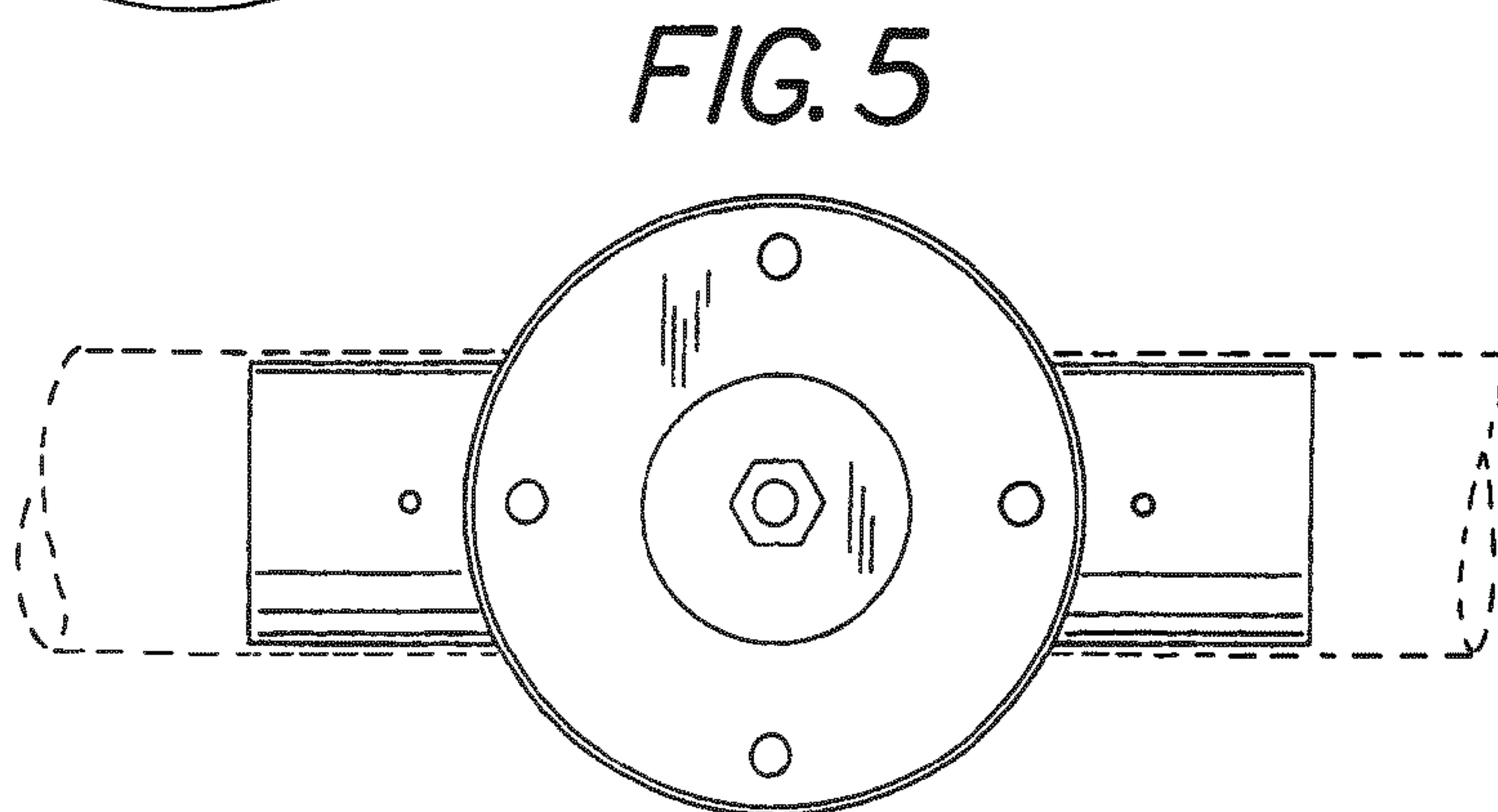
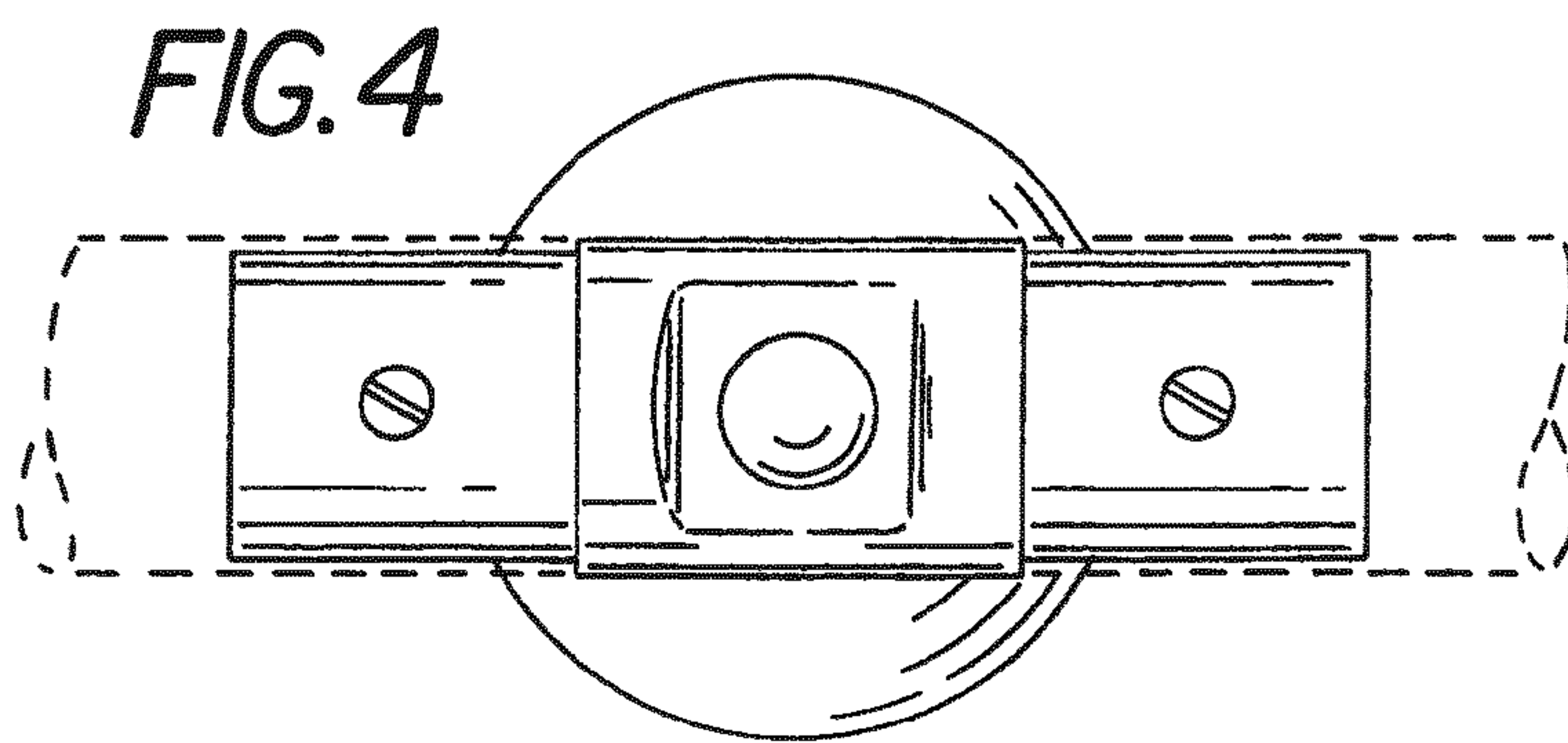
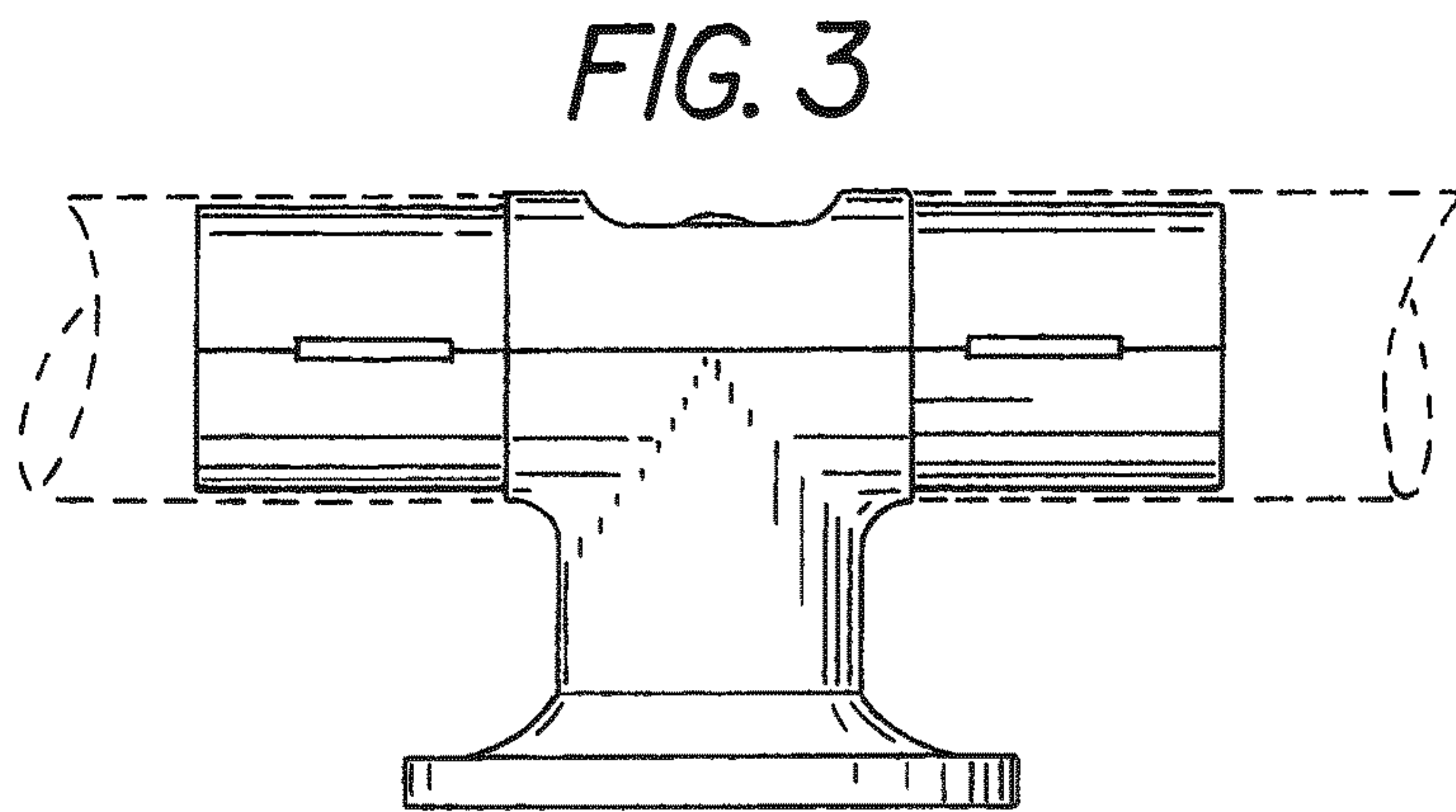
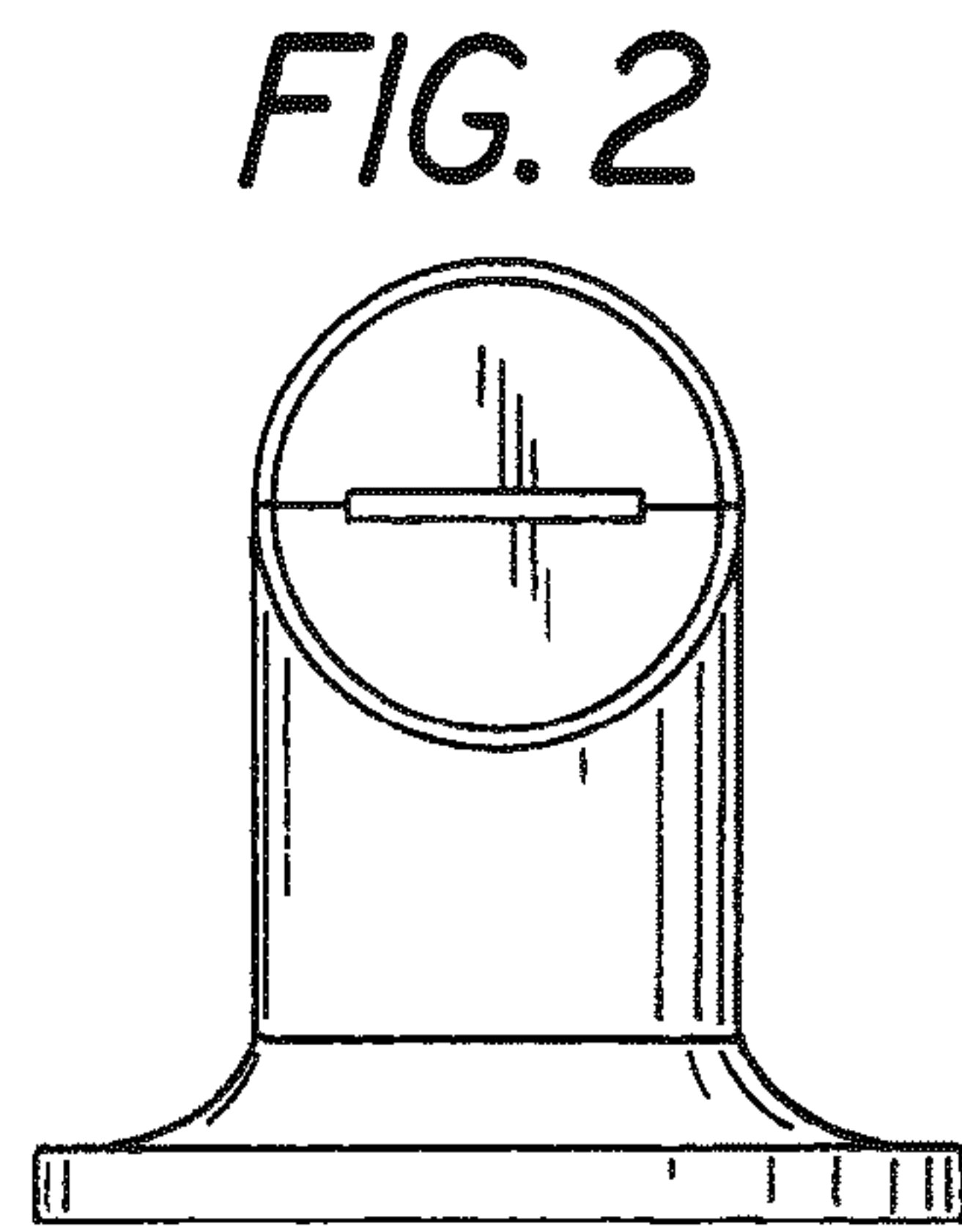
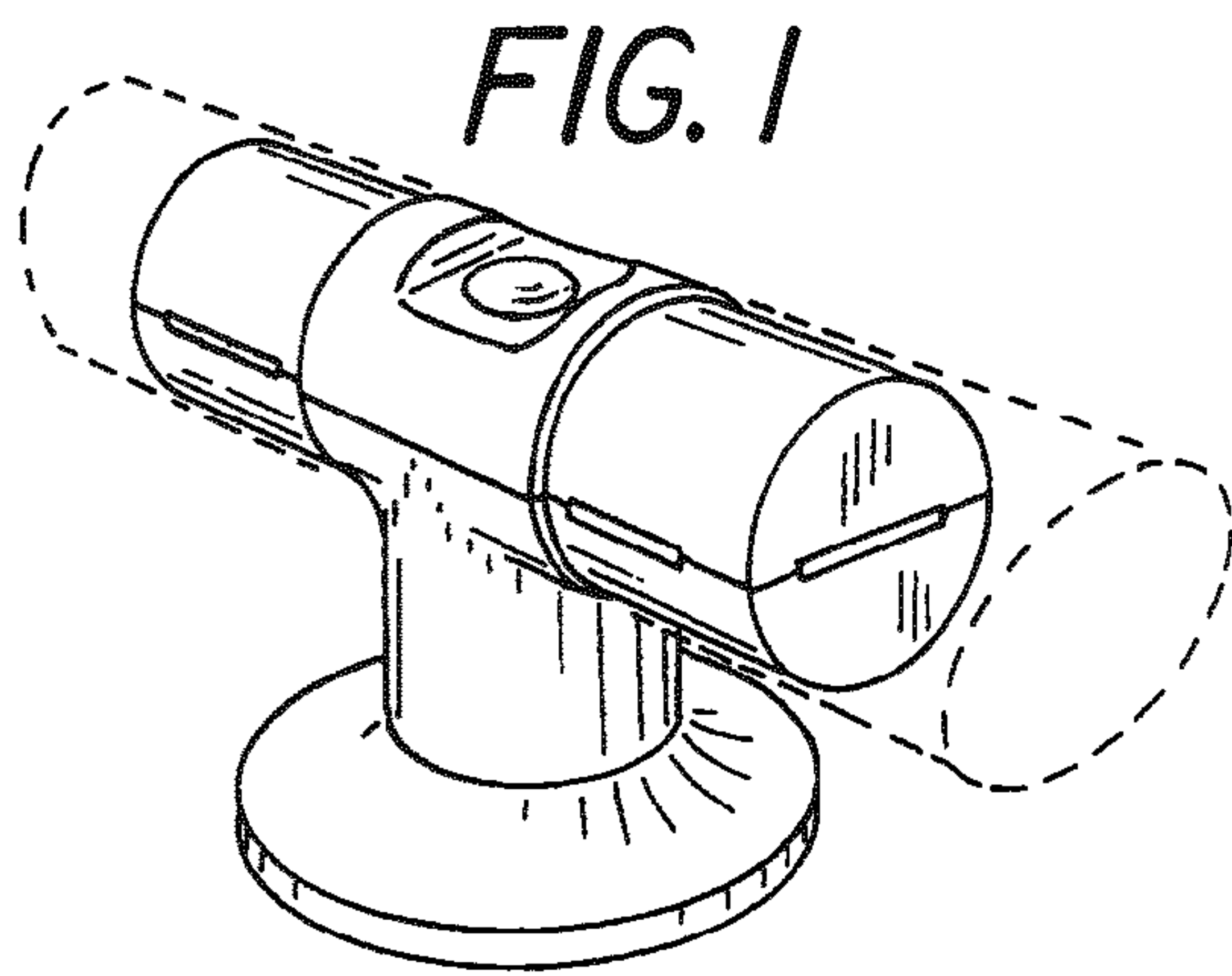


FIG. 6

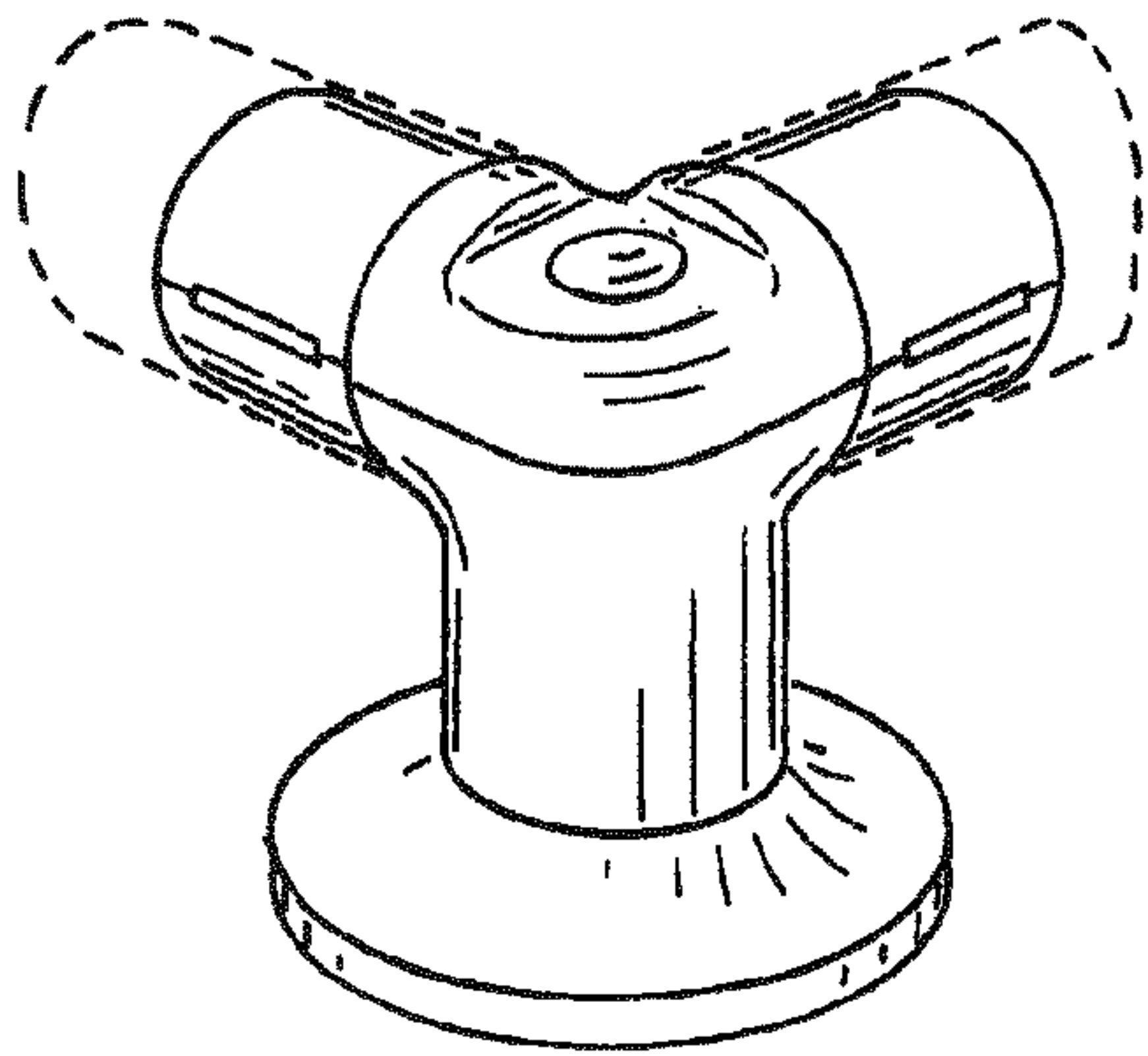


FIG. 9

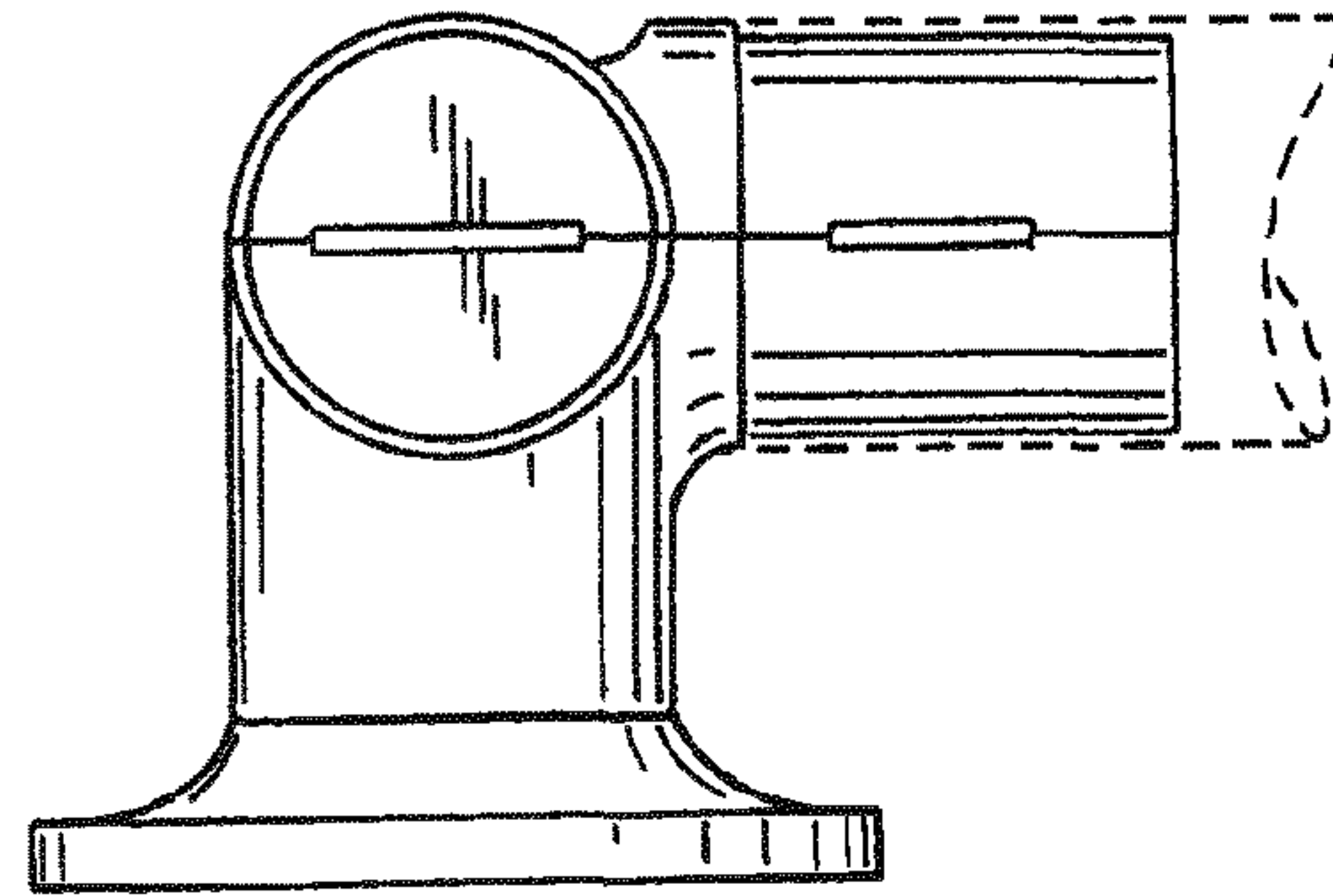


FIG. 7

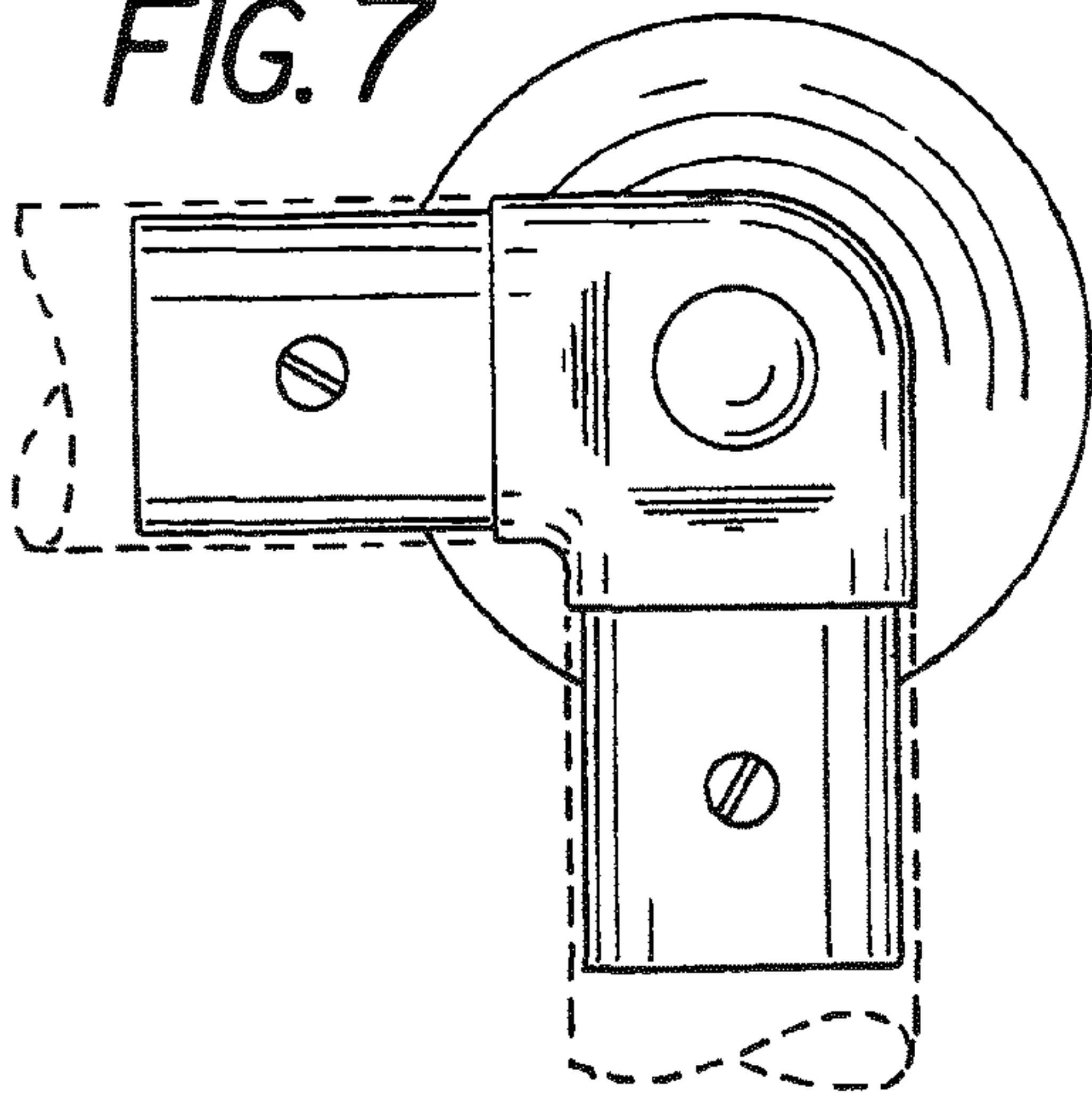


FIG. 10

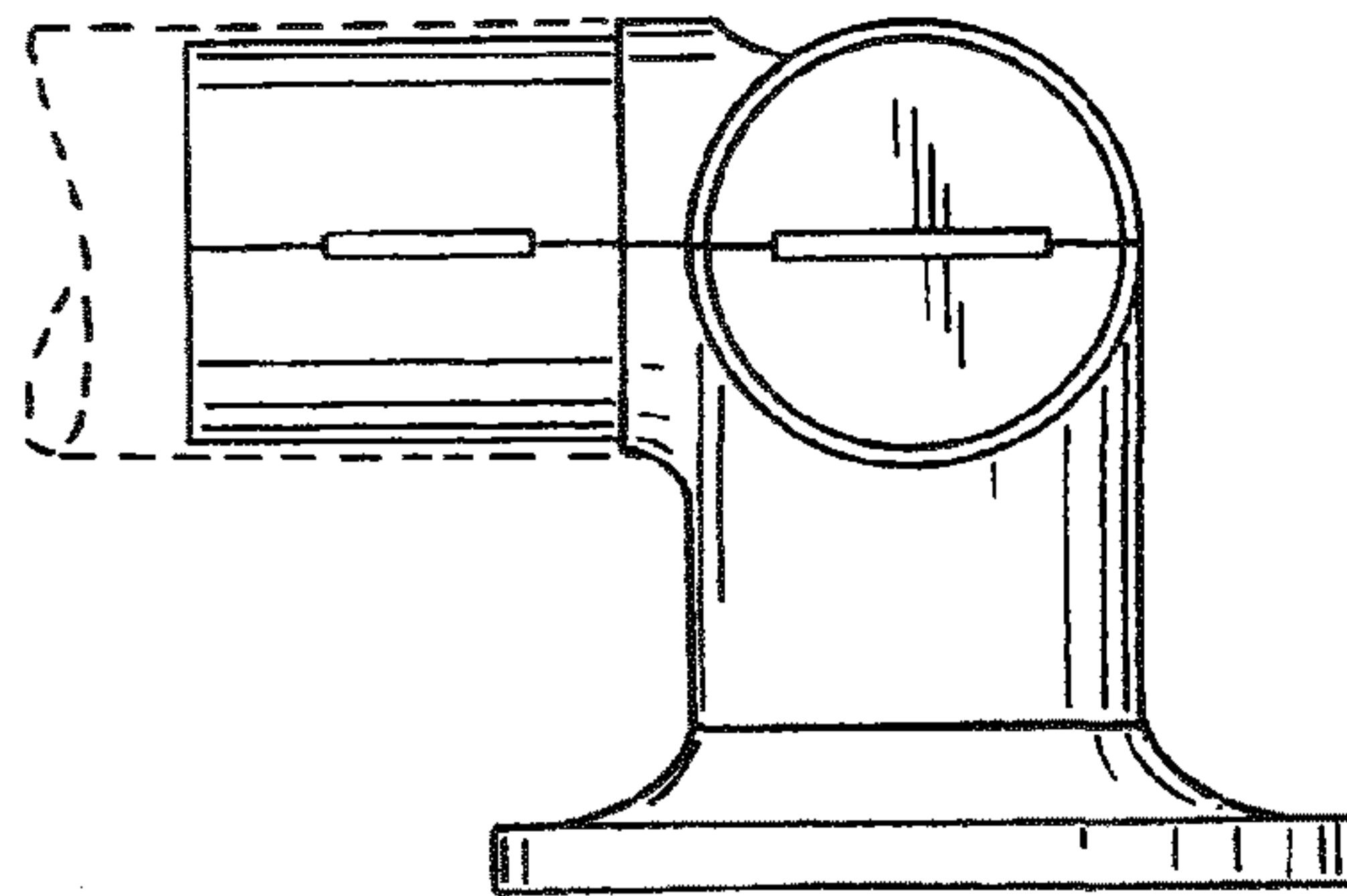


FIG. 11

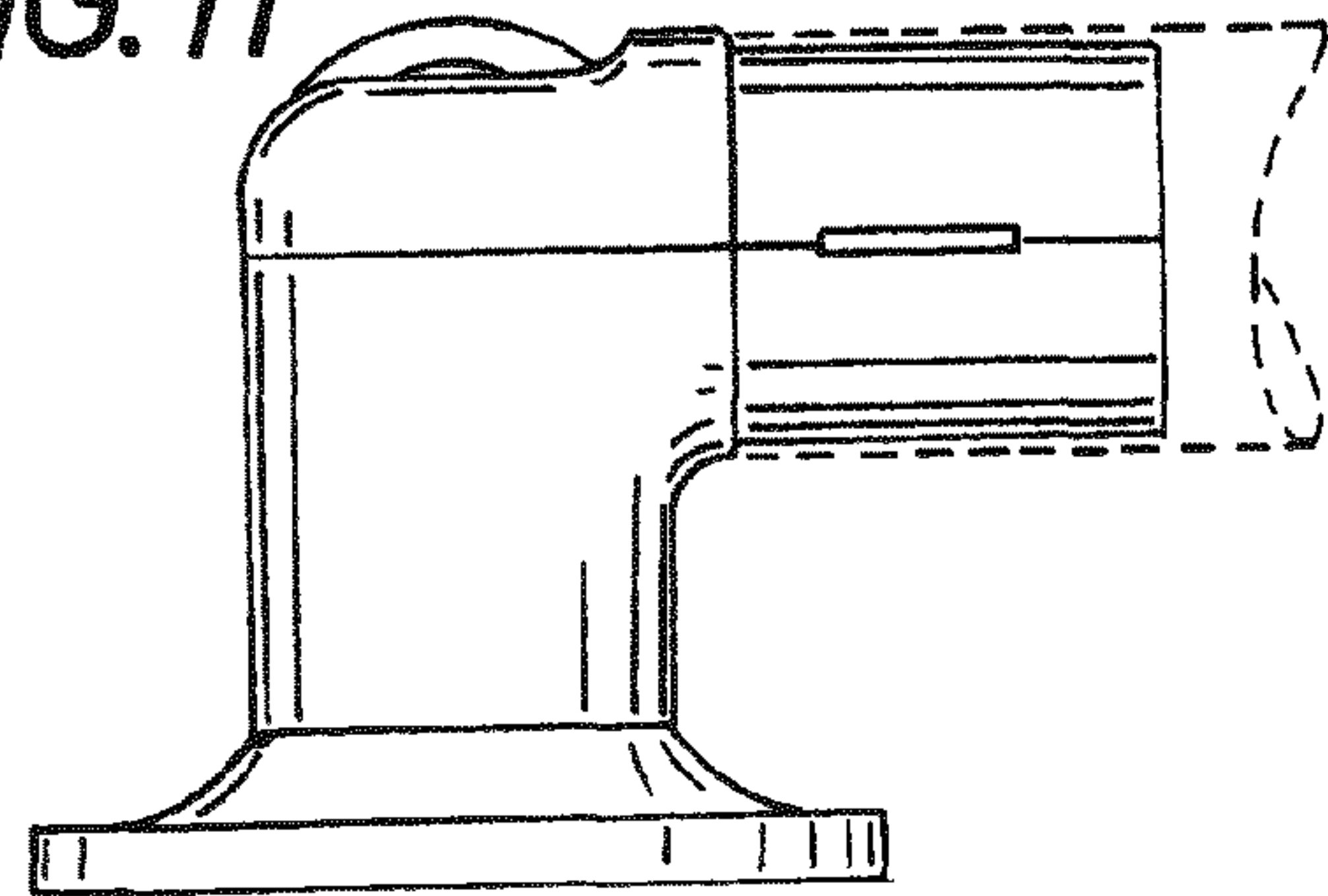


FIG. 8

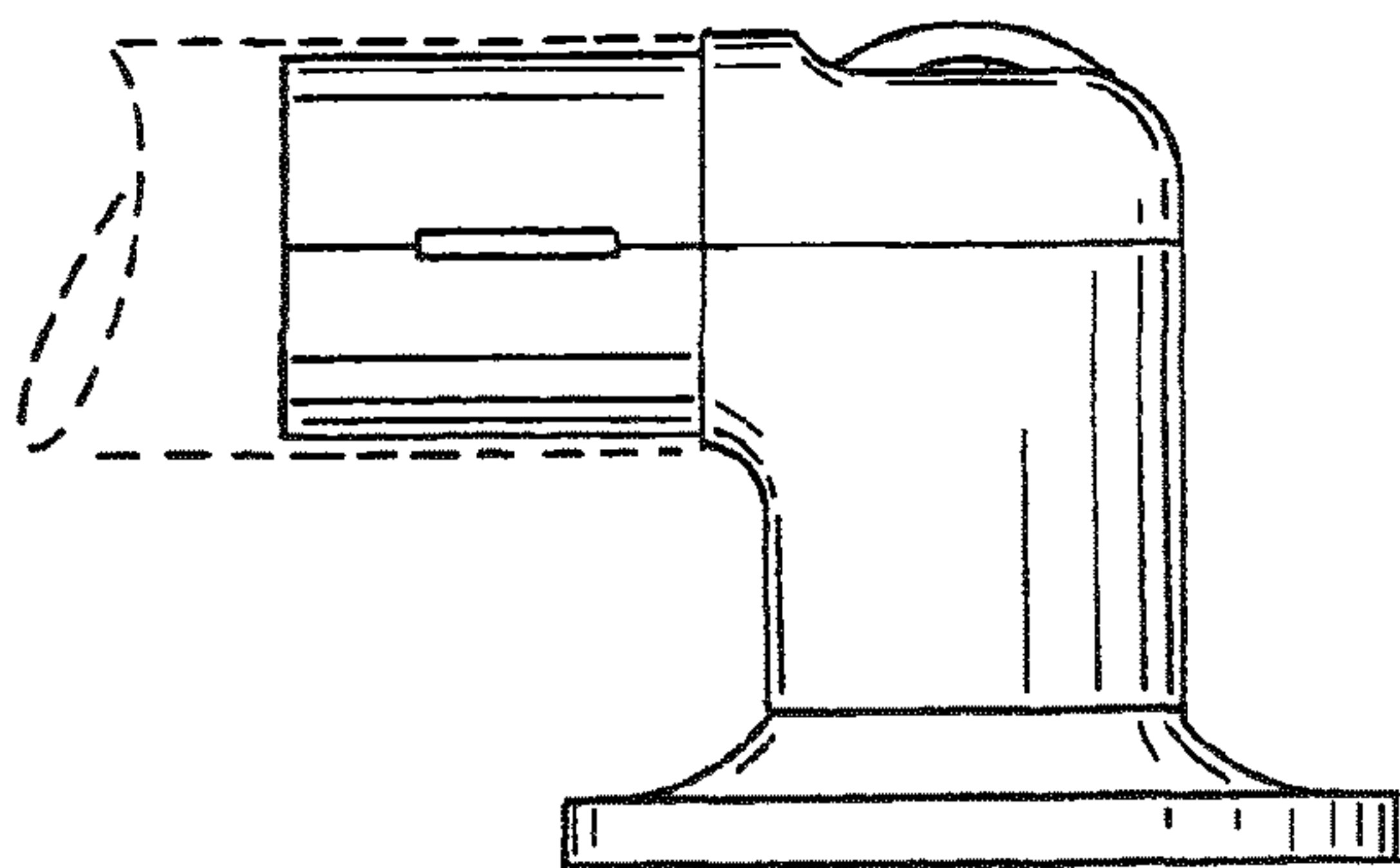


FIG. 12

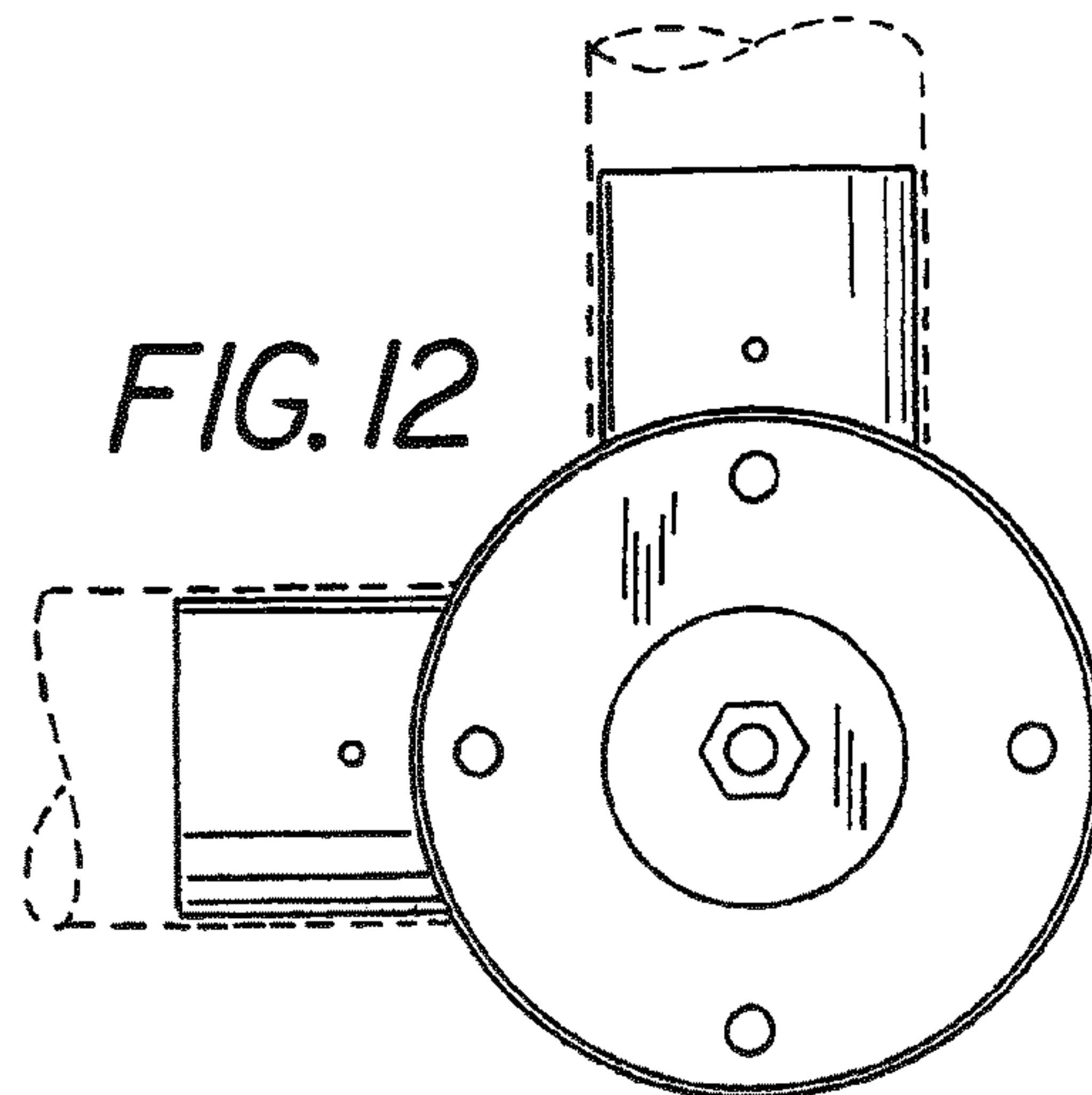


FIG. 13

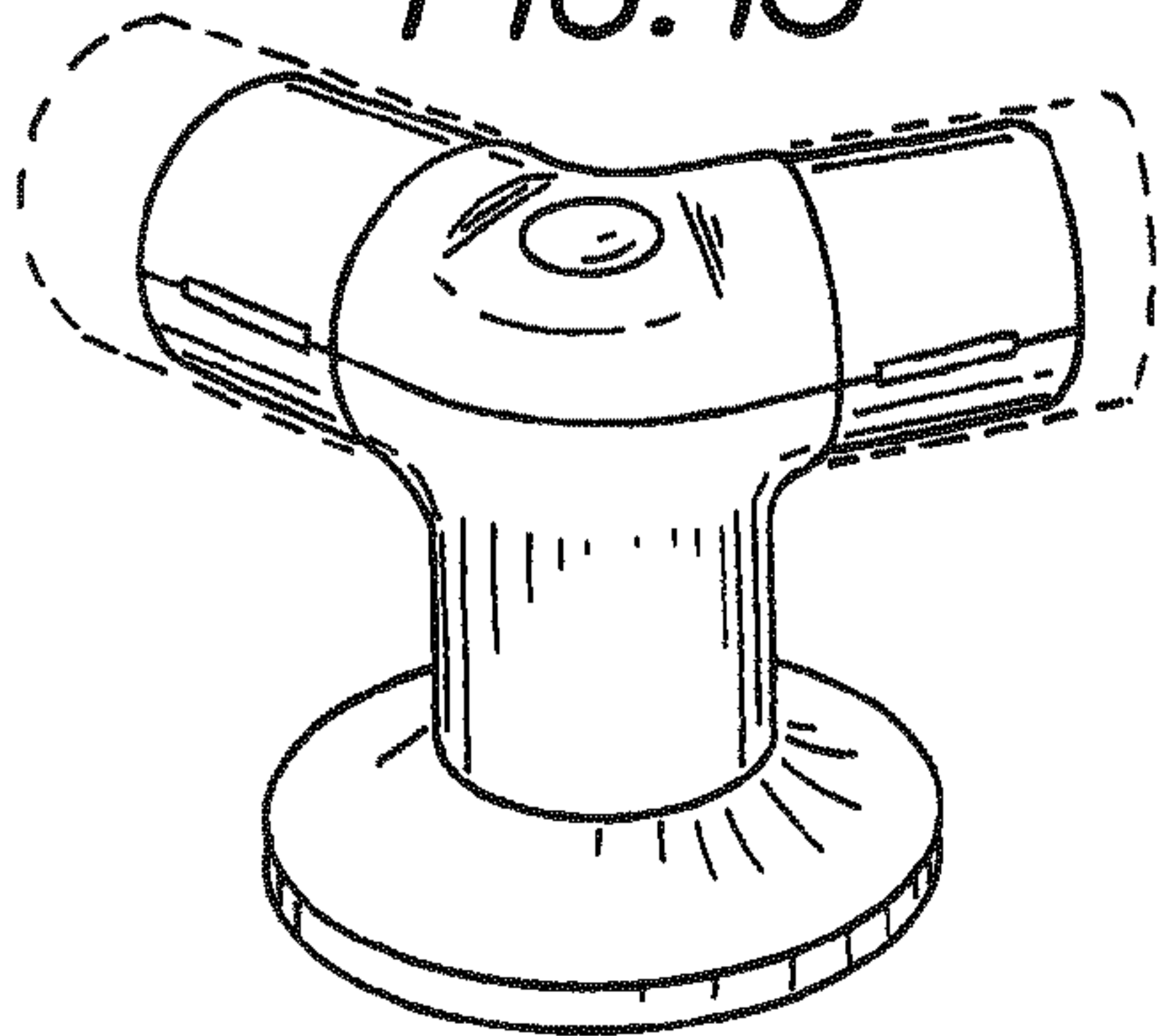


FIG. 14

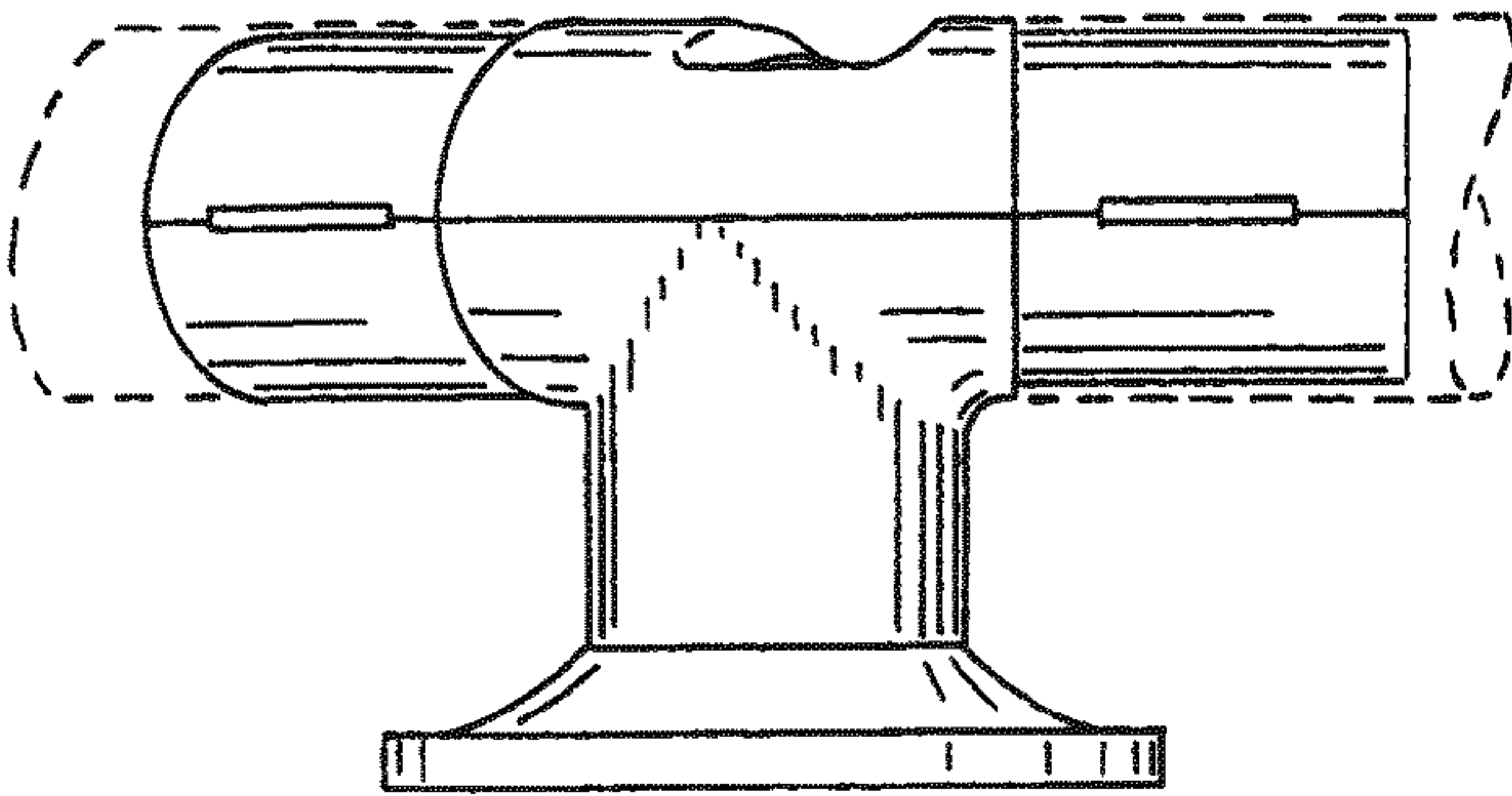


FIG. 15

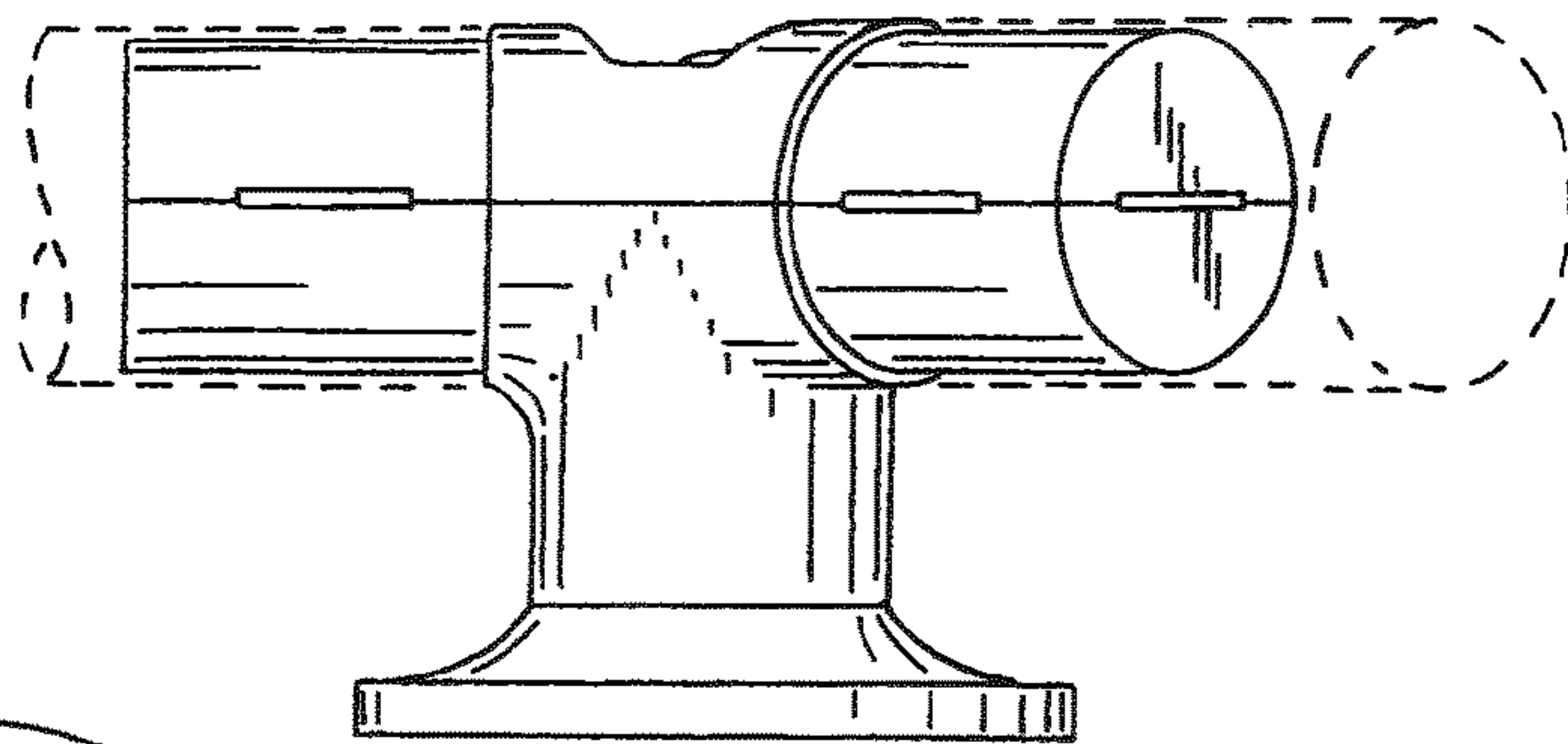


FIG. 16

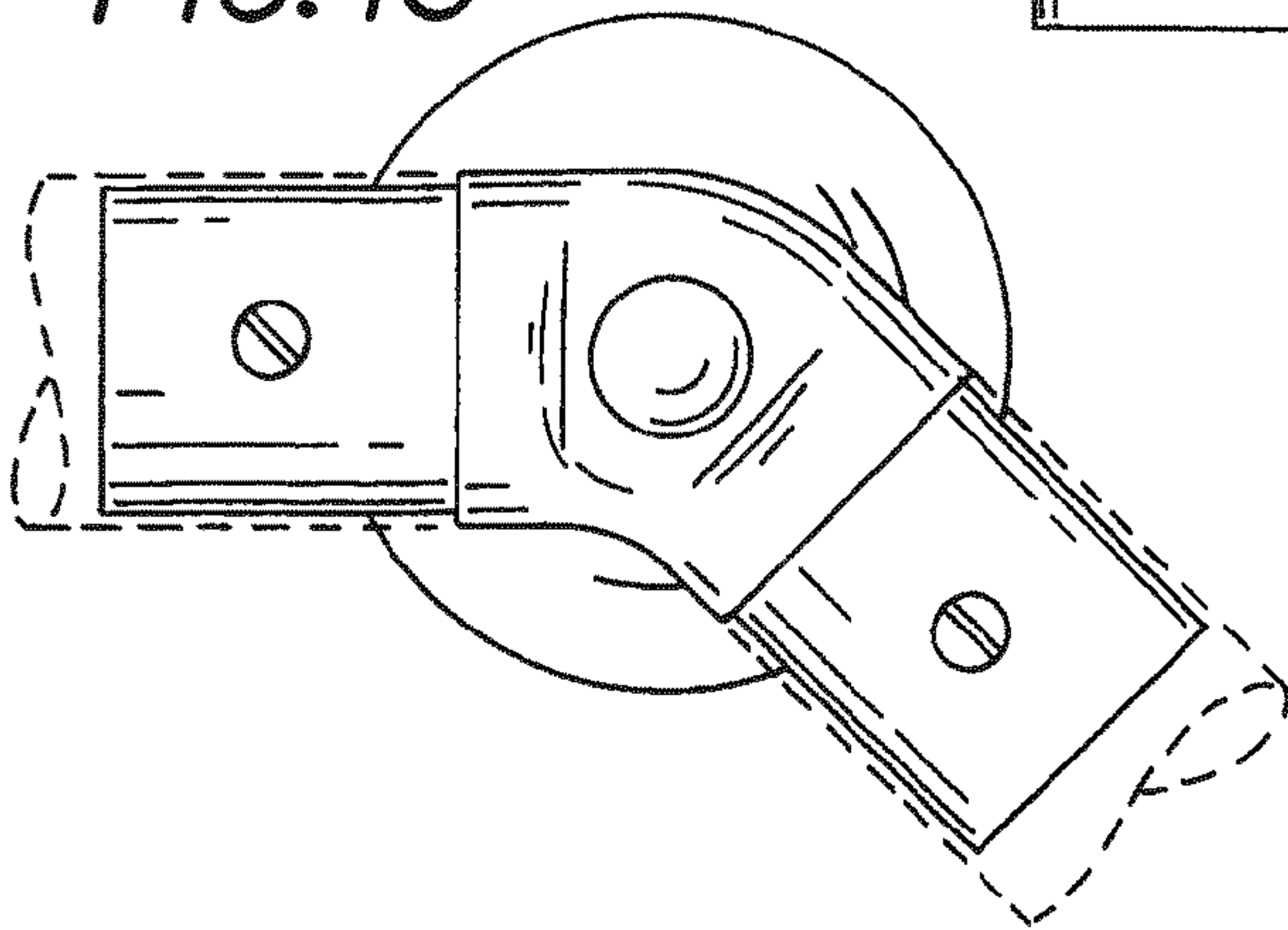


FIG. 17

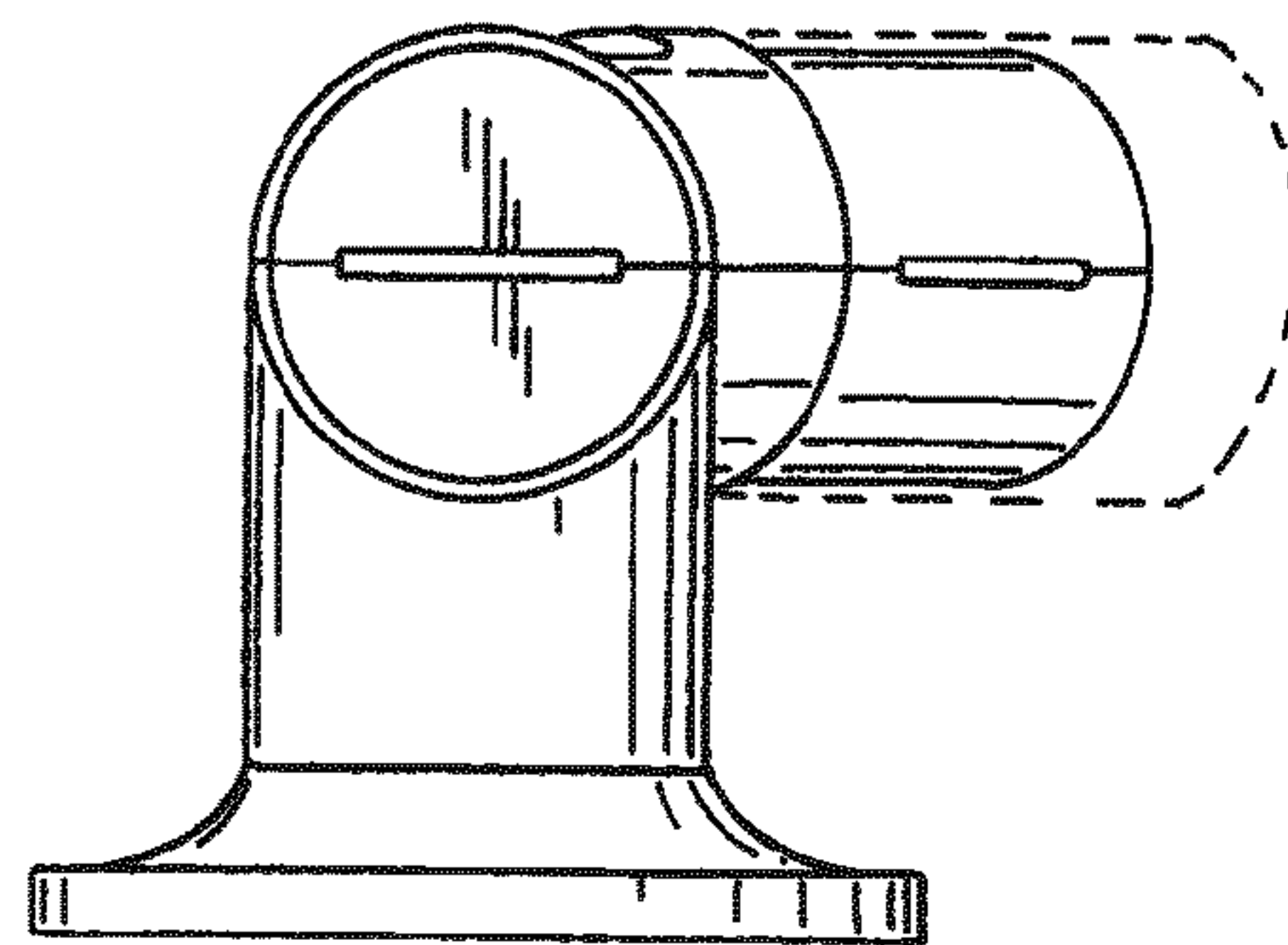


FIG. 19

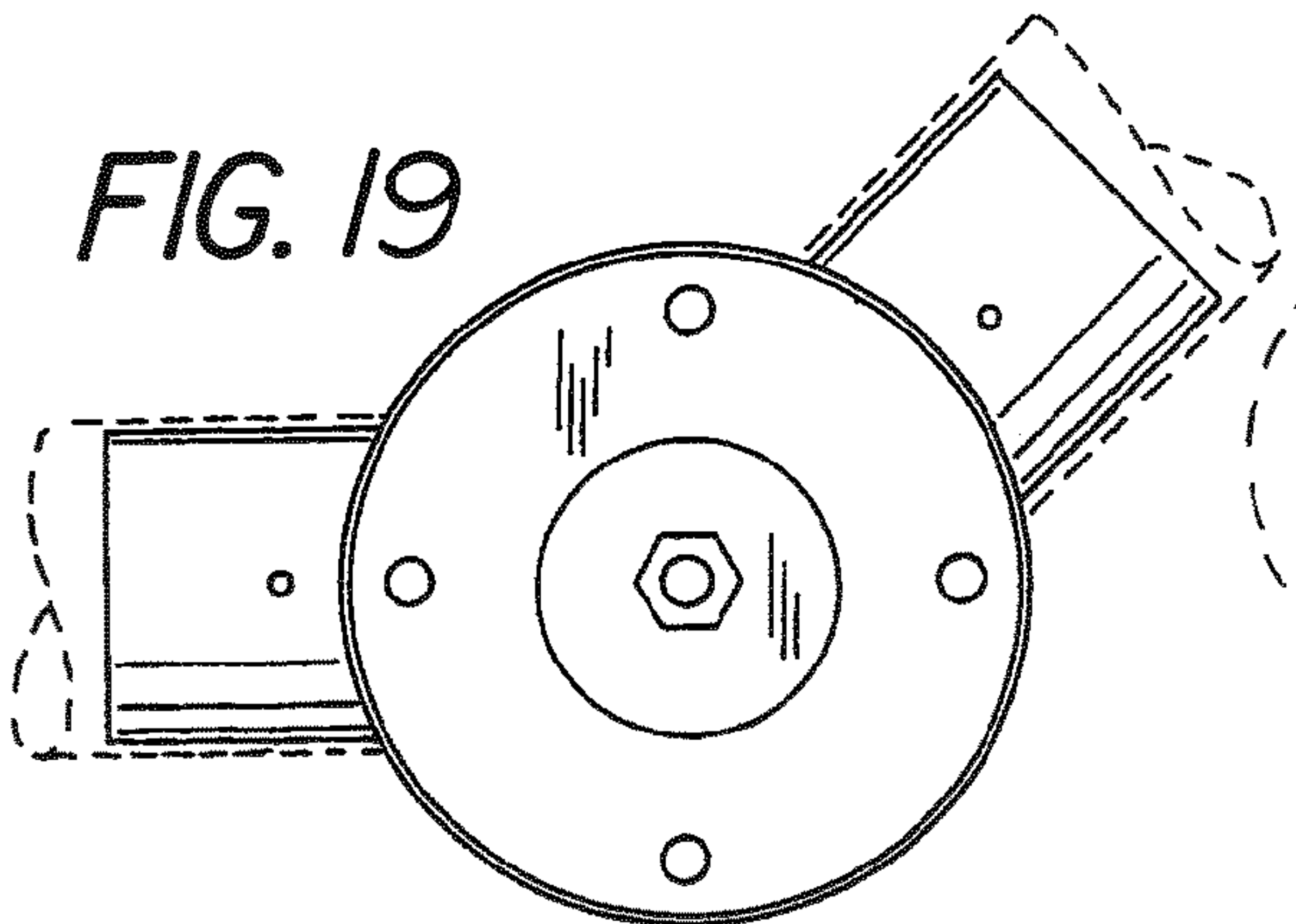


FIG. 18

