



US00D626404S

(12) **United States Design Patent**  
**Koehn**

(10) **Patent No.:** **US D626,404 S**

(45) **Date of Patent:** **\*\* Nov. 2, 2010**

(54) **POWER TOOL HANGER**

(75) Inventor: **Vincent G. Koehn**, Montezuma, KS  
(US)

(73) Assignee: **Montezuma Mfg., Inc.**, Montezuma, KS  
(US)

(\*\*) Term: **14 Years**

(21) Appl. No.: **29/355,269**

(22) Filed: **Feb. 4, 2010**

(51) **LOC (9) Cl.** ..... **08-05**

(52) **U.S. Cl.** ..... **D8/373**

(58) **Field of Classification Search** ..... D8/363,  
D8/373; 248/223.21, 223.41, 225.11, 239,  
248/263, 443

See application file for complete search history.

(56) **References Cited**

U.S. PATENT DOCUMENTS

4,084,778	A *	4/1978	Dominguez	.....	248/314
D283,032	S *	3/1986	Quesnel	.....	D17/20
D423,774	S *	5/2000	Peterson	.....	D3/229
D444,706	S *	7/2001	Giancaspro	.....	D9/455

\* cited by examiner

*Primary Examiner*—Holly H Baynham

(74) *Attorney, Agent, or Firm*—Shook, Hardy & Bacon L.L.P.

(57) **CLAIM**

The ornamental design for a power tool hanger, as shown and described.

**DESCRIPTION**

FIG. 1 is a perspective view of a power tool hanger of the present invention;

FIG. 2 is a left side elevation view thereof with a right side elevation view being a mirror image;

FIG. 3 is a front elevation view thereof;

FIG. 4 is a top plan view thereof;

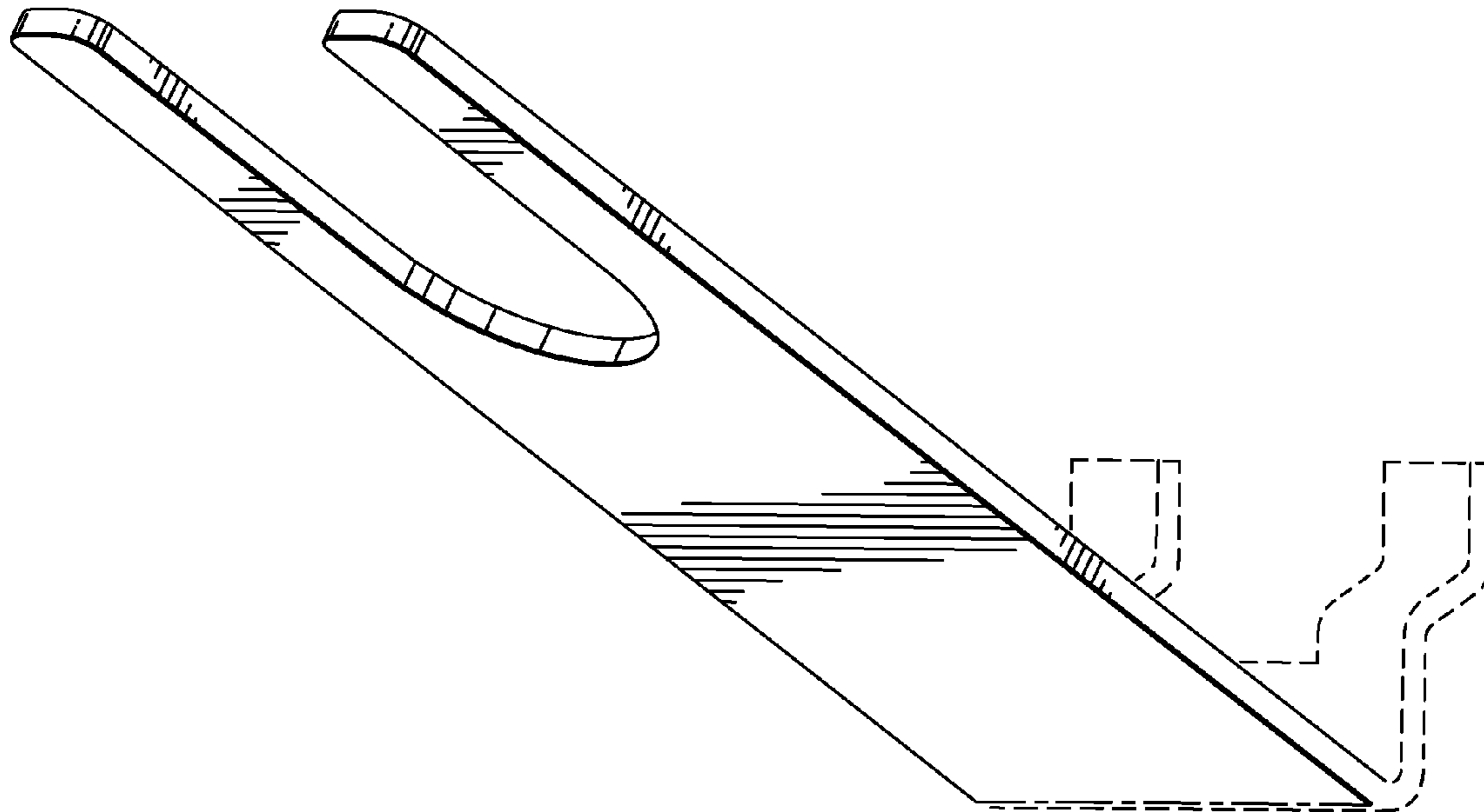
FIG. 5 is a rear elevation view thereof;

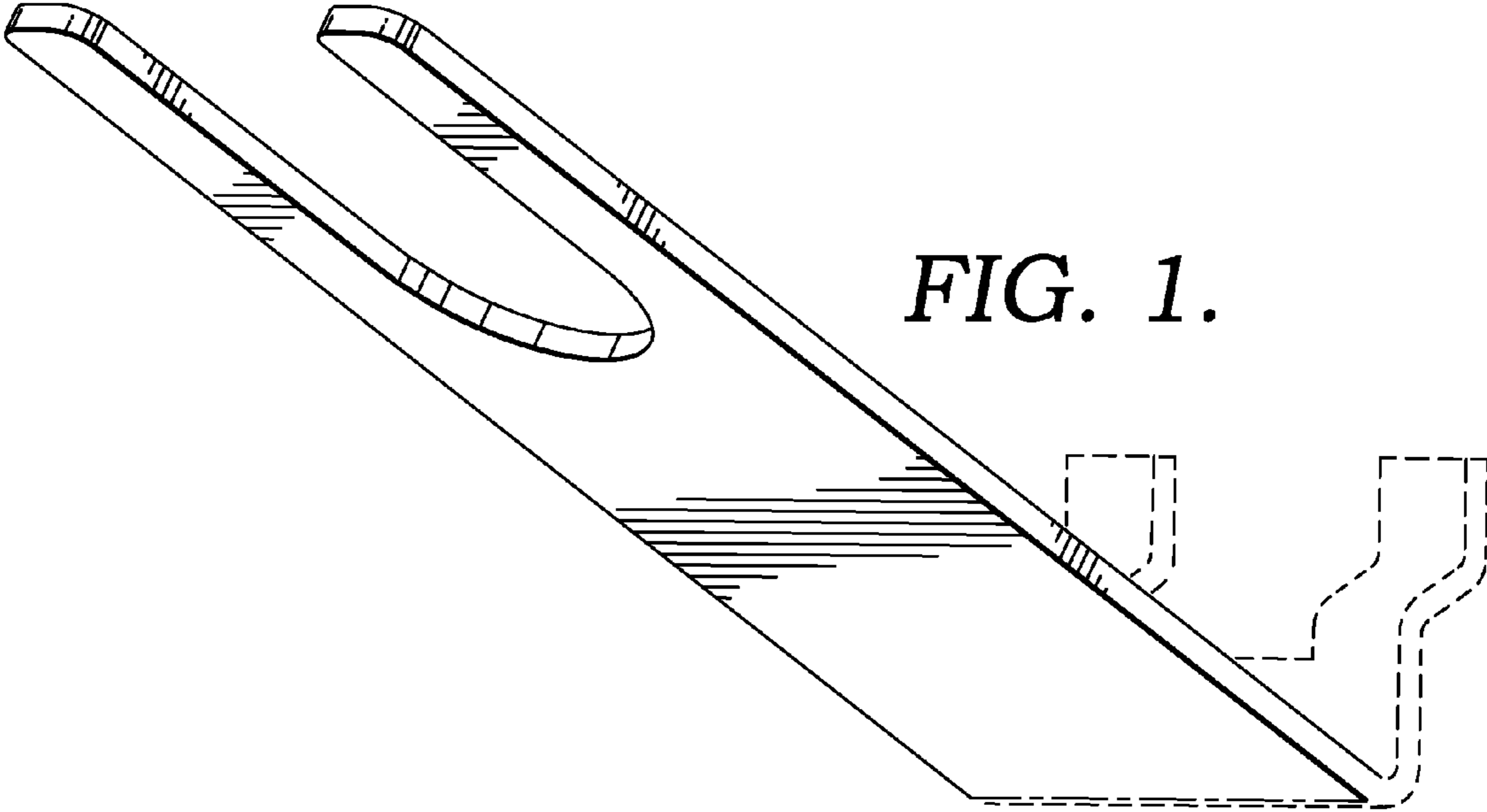
FIG. 6 is bottom plan view thereof; and,

FIG. 7 is a perspective view of the power tool hanger of the present invention in a possible use environment.

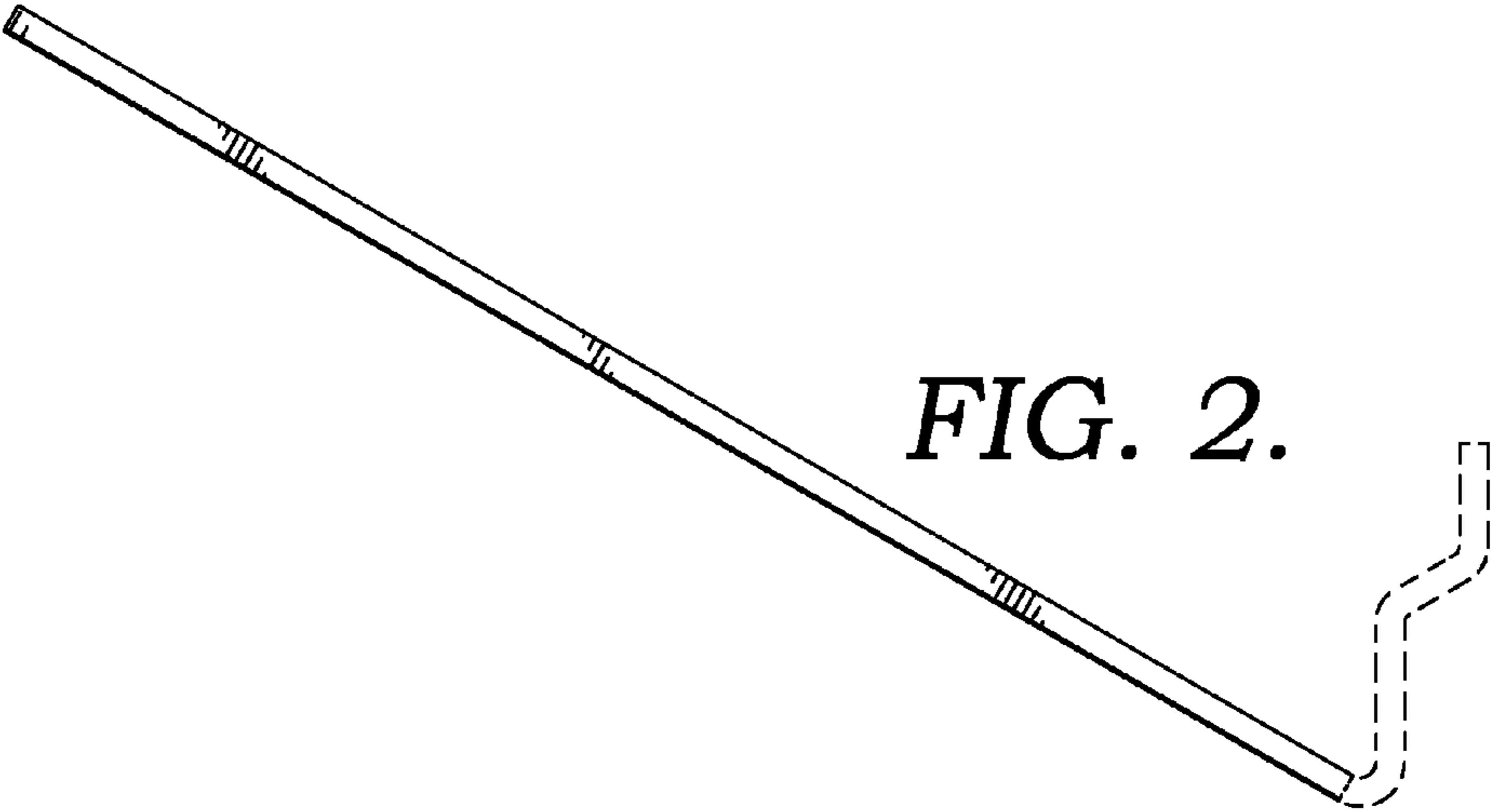
The long-short broken lines immediately adjacent the shaded areas represent the bounds of the claim and all other broken lines are for illustrative purposes only. None of the broken lines form a part of the claimed design.

**1 Claim, 3 Drawing Sheets**

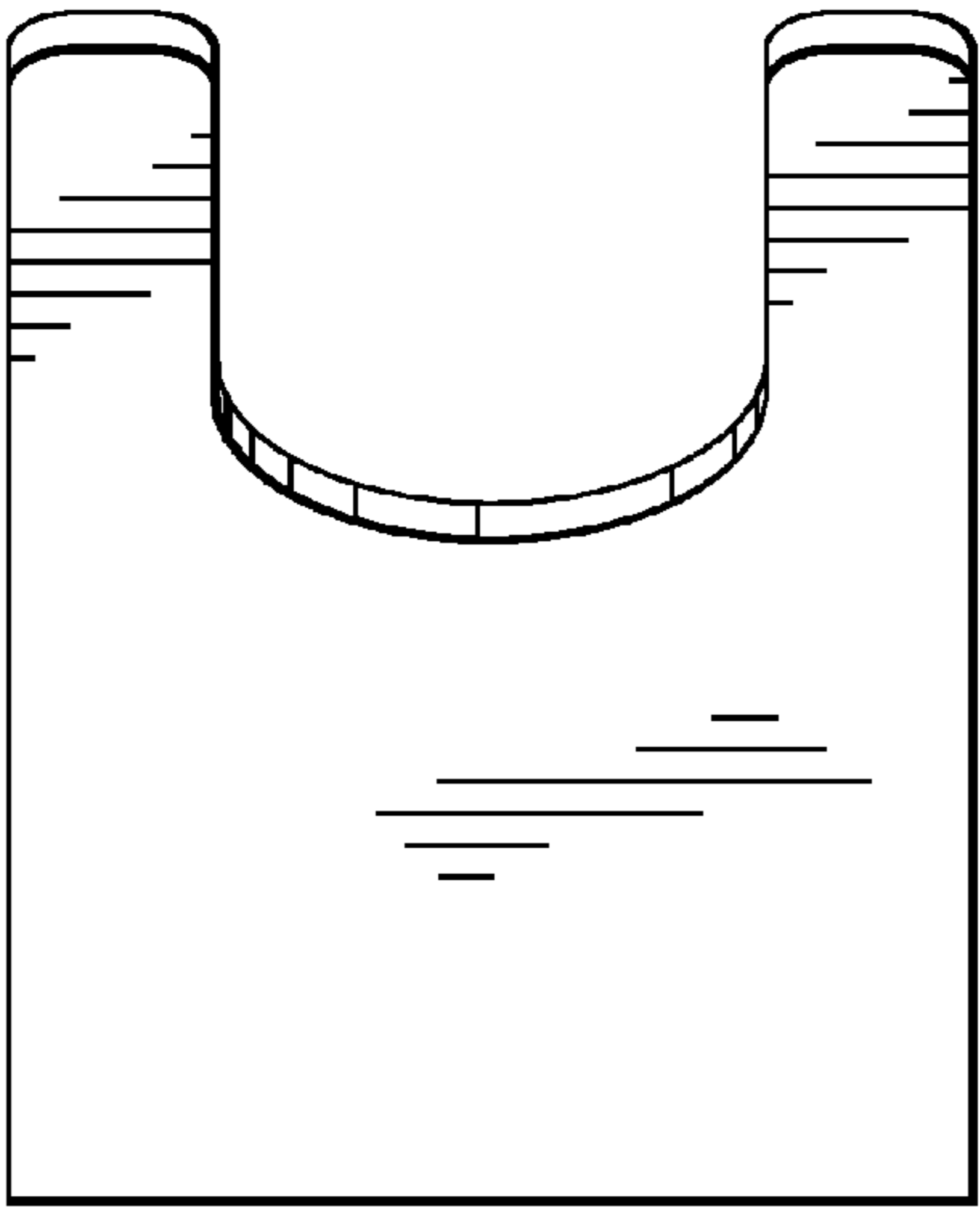




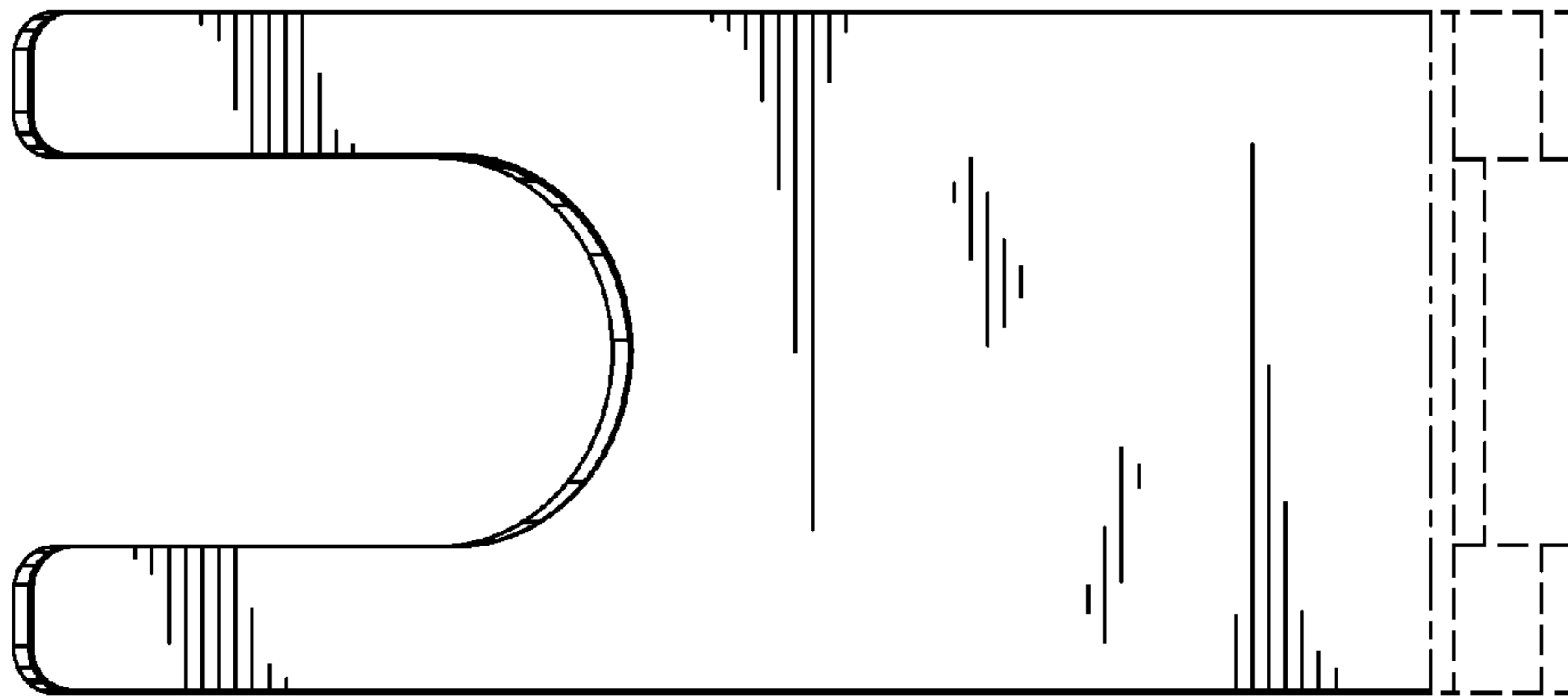
*FIG. 1.*



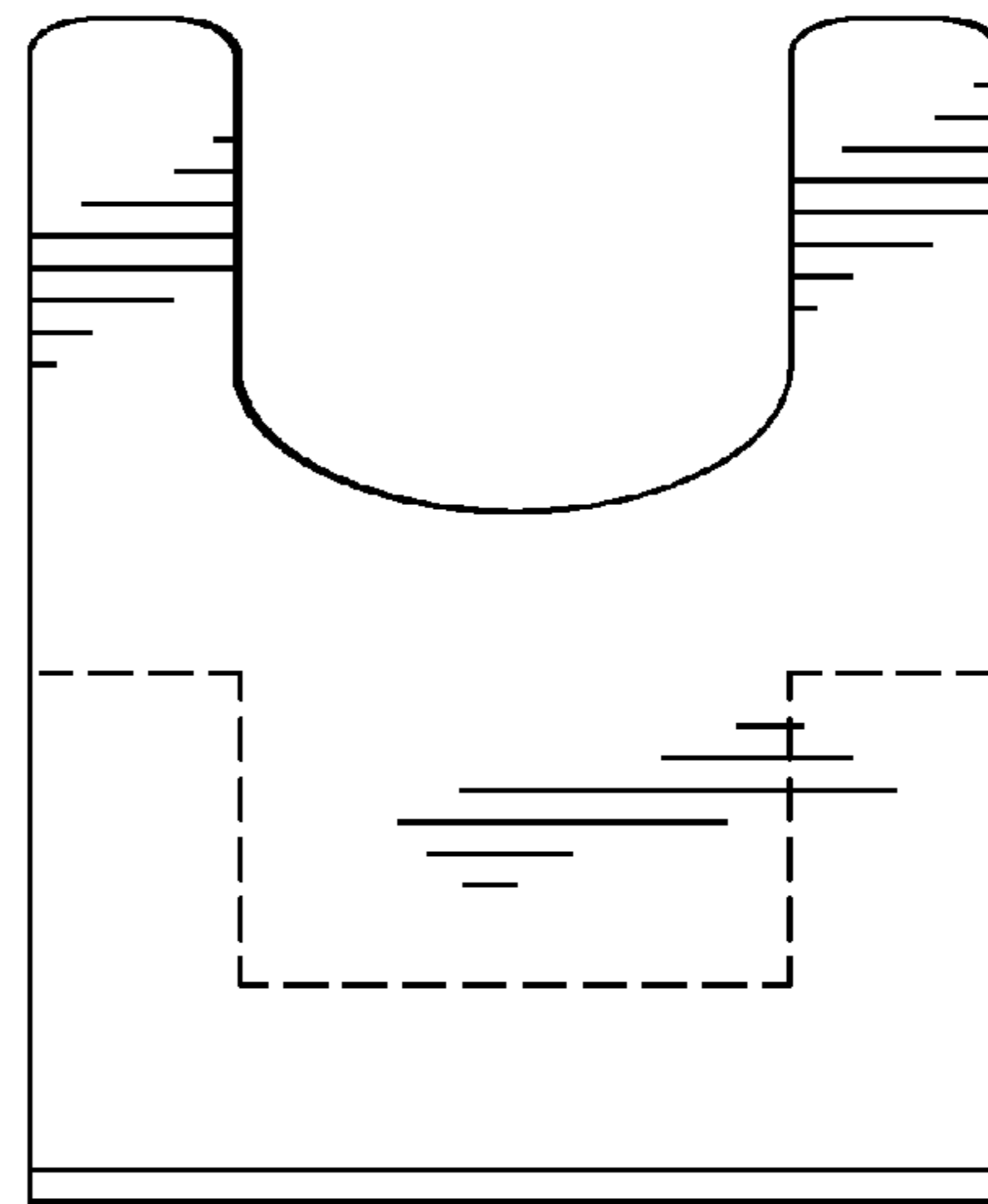
*FIG. 2.*



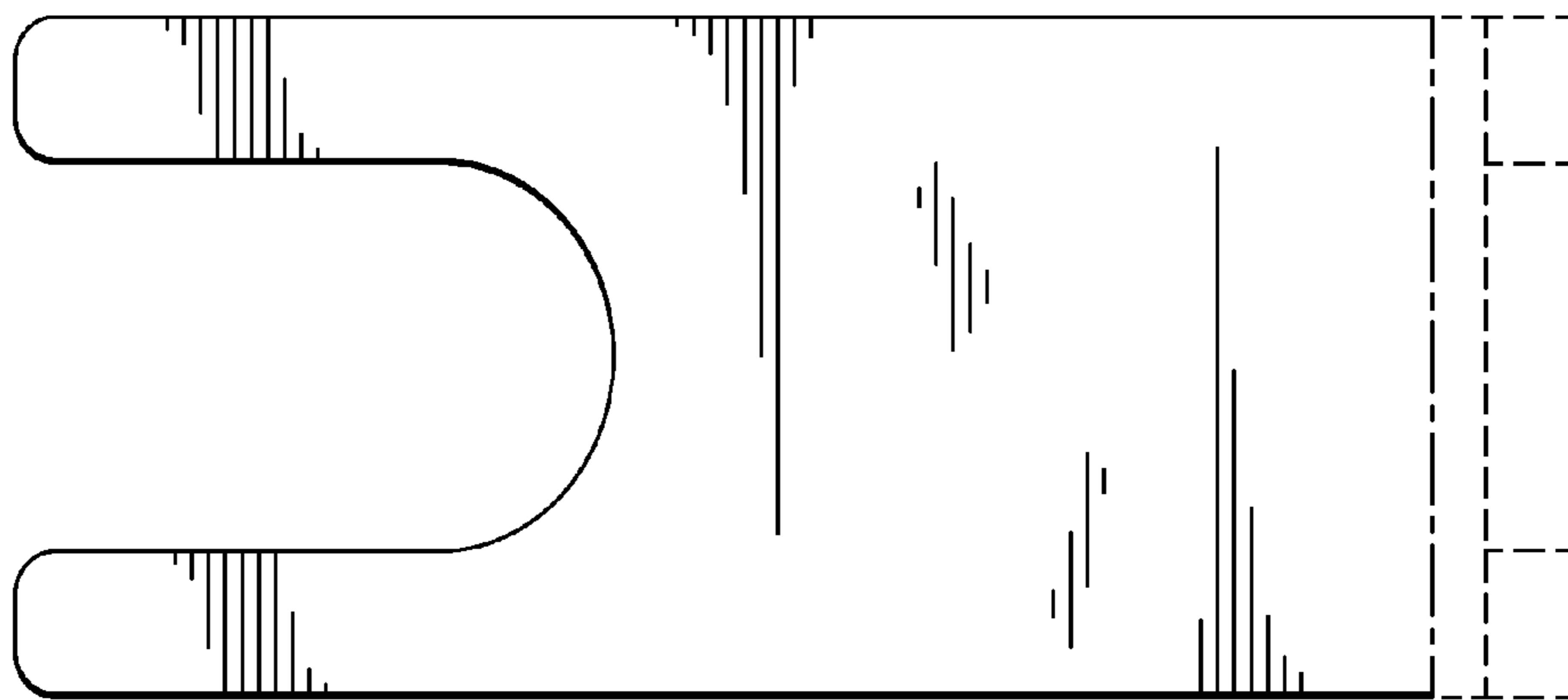
*FIG. 3.*



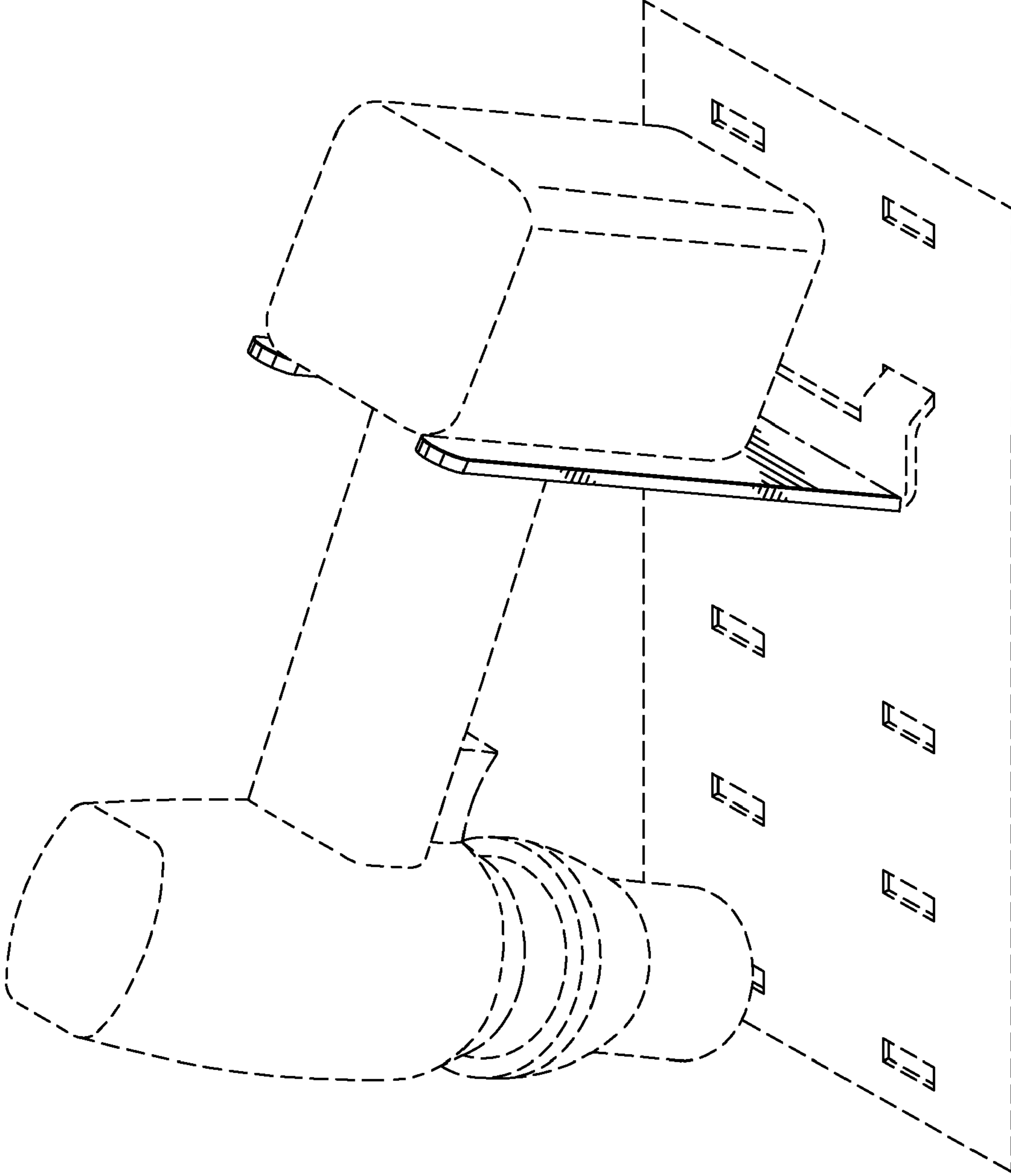
*FIG. 4.*



*FIG. 5.*



*FIG. 6.*



**FIG. 7.**