



US00D626402S

(12) **United States Design Patent**  
**Chan**

(10) **Patent No.:** **US D626,402 S**

(45) **Date of Patent:** **\*\* Nov. 2, 2010**

(54) **SEWING HOOK**

D543,837 S \* 6/2007 Newbould et al. .... D8/367  
D596,930 S \* 7/2009 Gaudron ..... D8/367

(75) Inventor: **Man Chan**, Tai Po (HK)

\* cited by examiner

(73) Assignee: **Nifco (HK) Ltd.**, Tai Po, N.T (HK)

*Primary Examiner*—Holly H Baynham

(\*\*) Term: **14 Years**

(74) *Attorney, Agent, or Firm*—Dinsmore & Shohl LLP

(21) Appl. No.: **29/352,709**

(57) **CLAIM**

(22) Filed: **Dec. 23, 2009**

The ornamental design for a sewing hook, as shown and described.

(30) **Foreign Application Priority Data**

**DESCRIPTION**

Jul. 2, 2009 (CN) ..... 2009 3 0188253

FIG. 1 is a front view of a sewing hook according to my new design;

(51) **LOC (9) Cl.** ..... **08-05**

FIG. 2 is a rear view thereof;

(52) **U.S. Cl.** ..... **D8/367**

FIG. 3 is a left side view thereof;

(58) **Field of Classification Search** ..... D8/367,

FIG. 4 is a right side view thereof;

D8/373; 248/301, 304

FIG. 5 is a top view thereof;

See application file for complete search history.

FIG. 6 is a bottom view thereof; and,

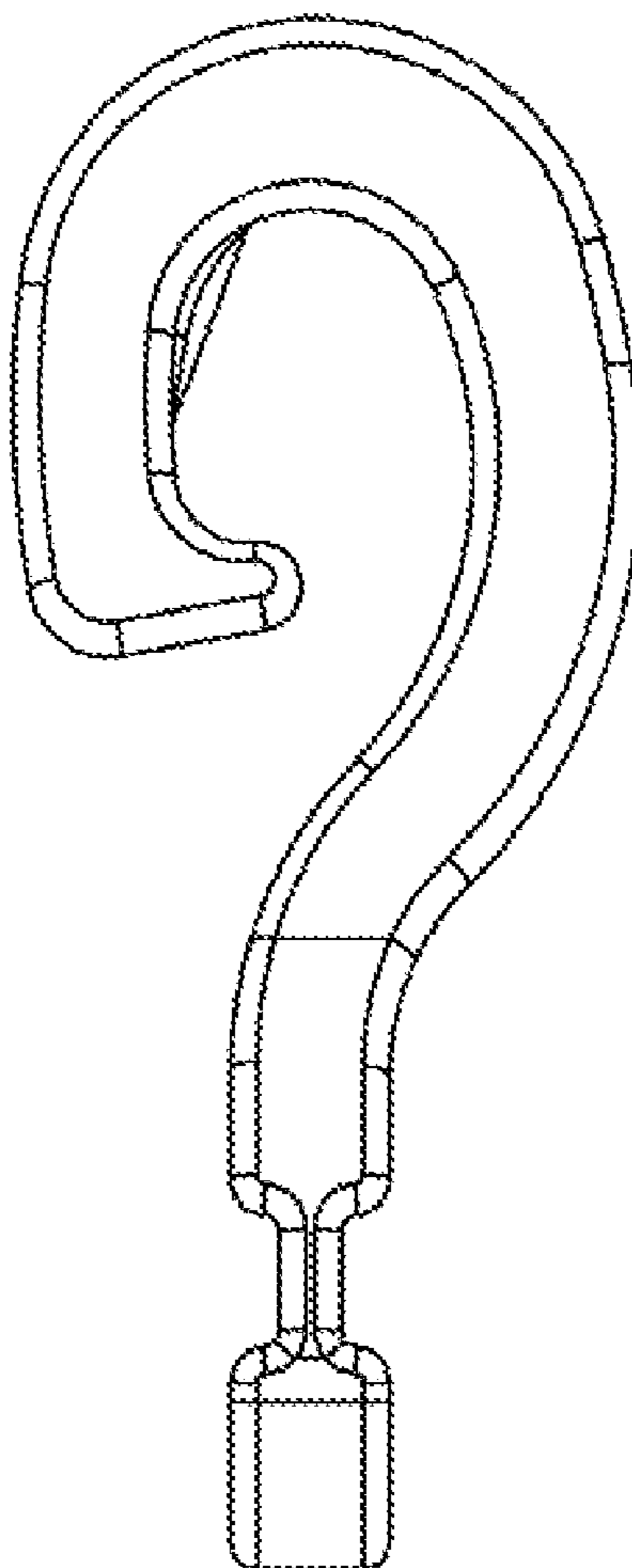
(56) **References Cited**

FIG. 7 is a perspective view thereof.

**U.S. PATENT DOCUMENTS**

D443,503 S \* 6/2001 Harvey ..... D8/367

**1 Claim, 2 Drawing Sheets**



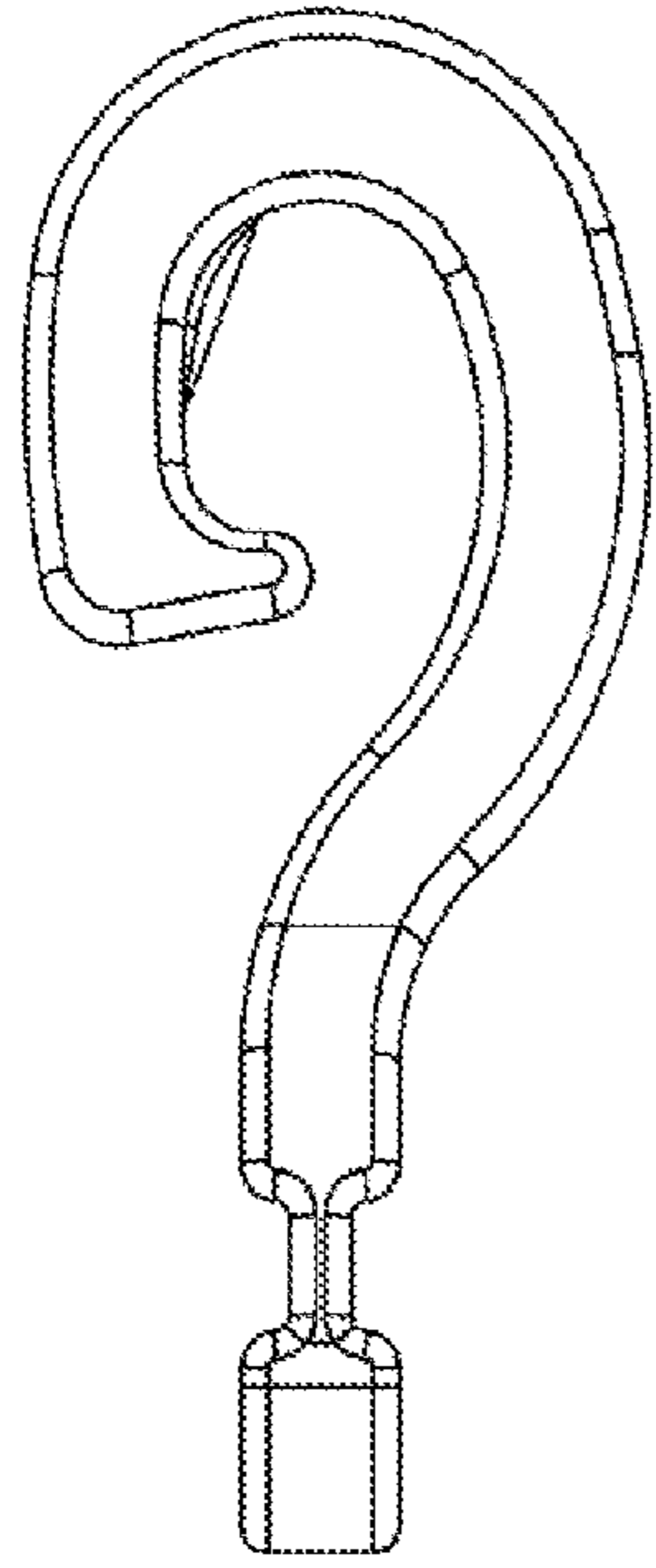


Fig 1

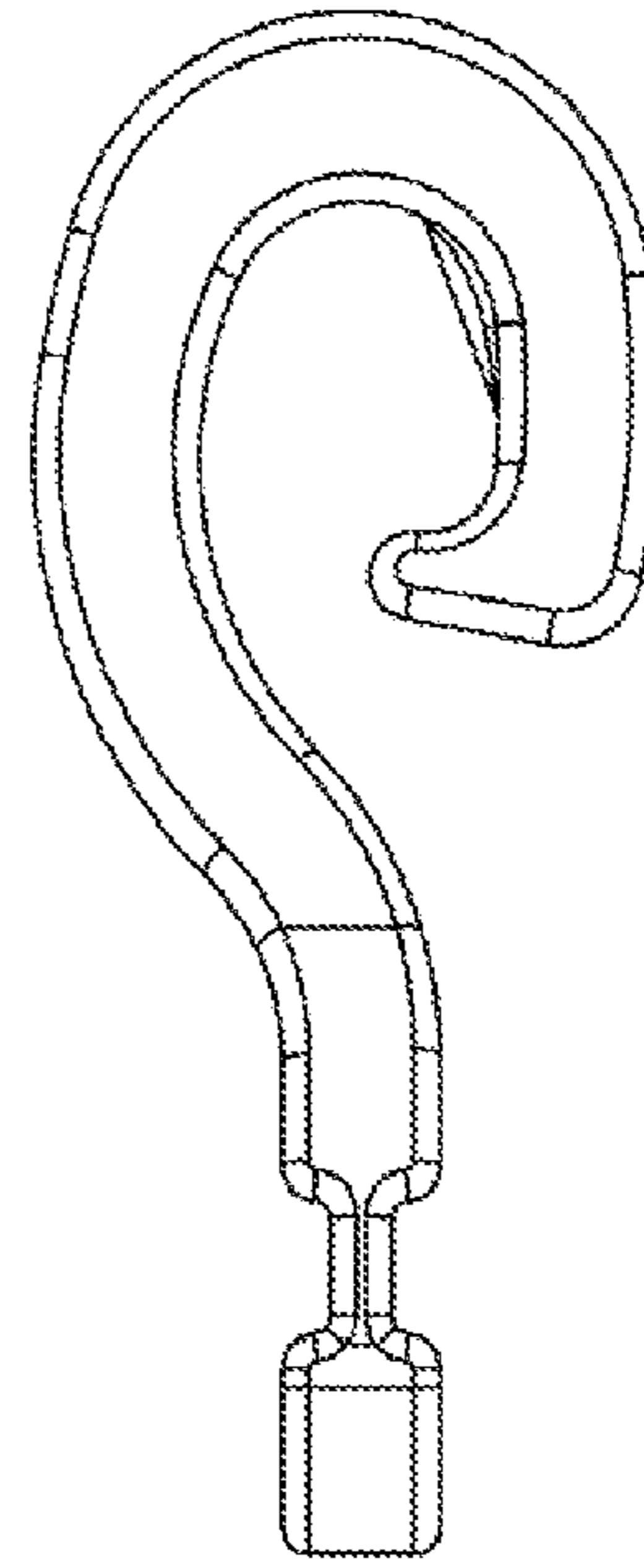


Fig 2

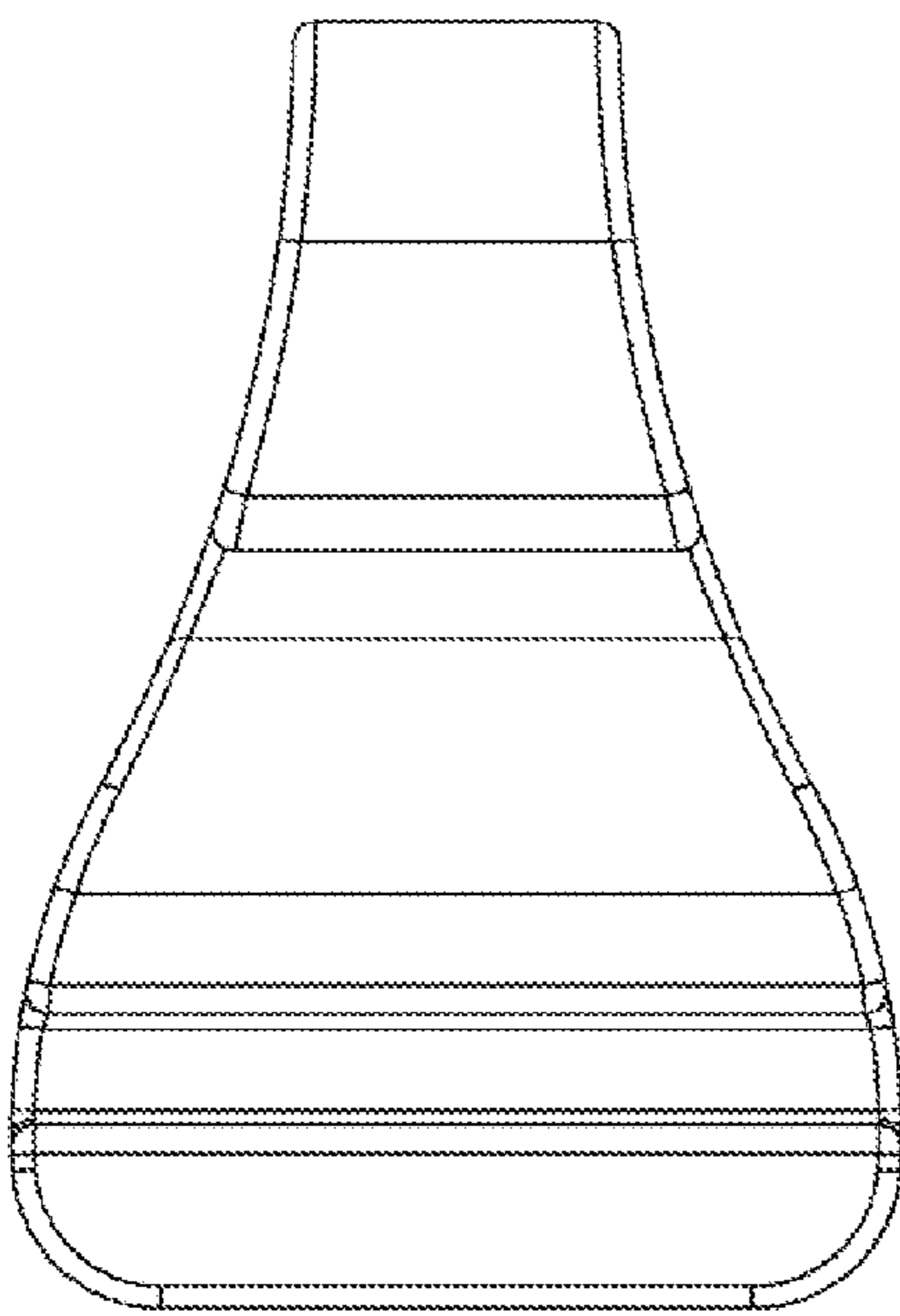


Fig 3

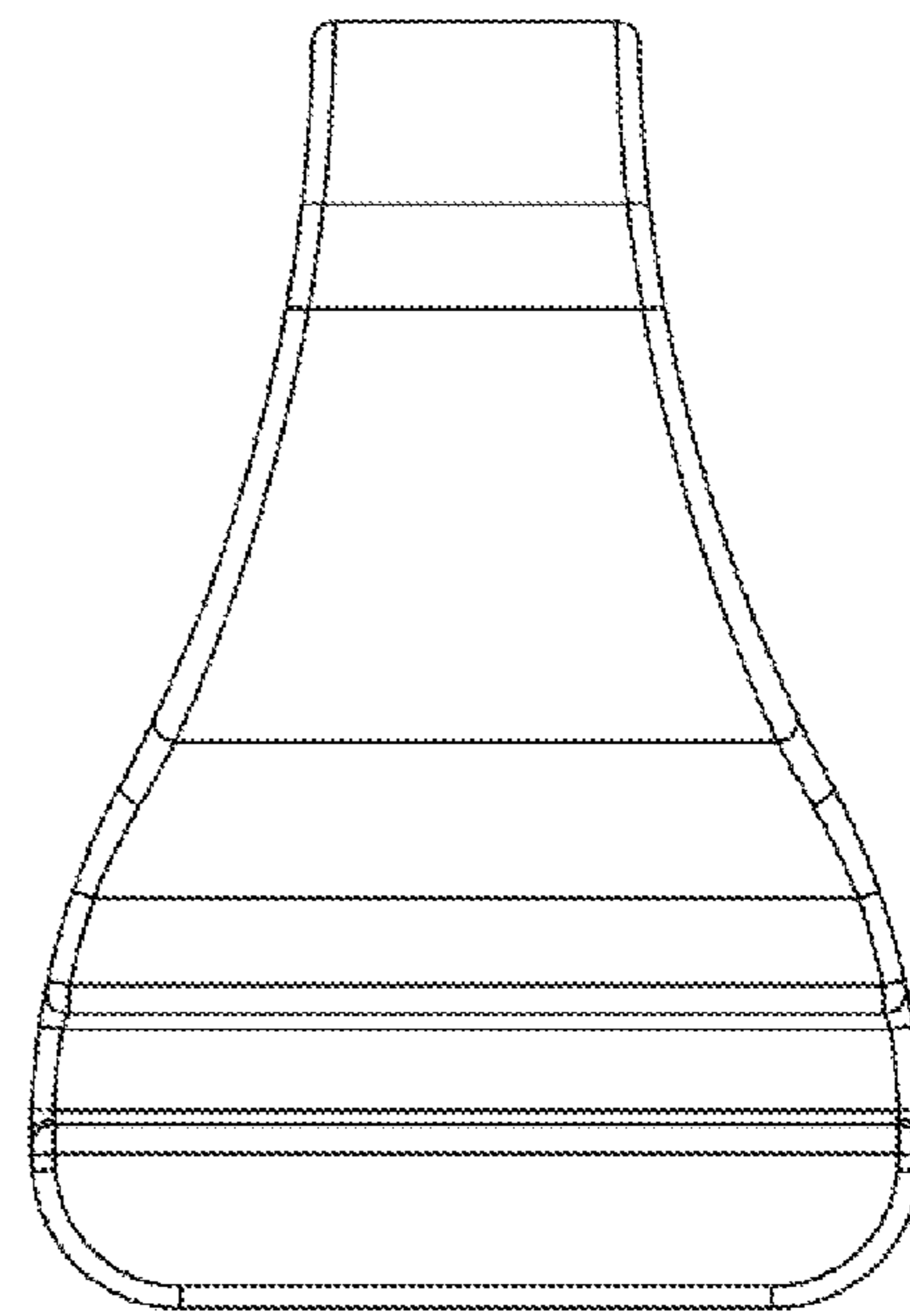


Fig 4

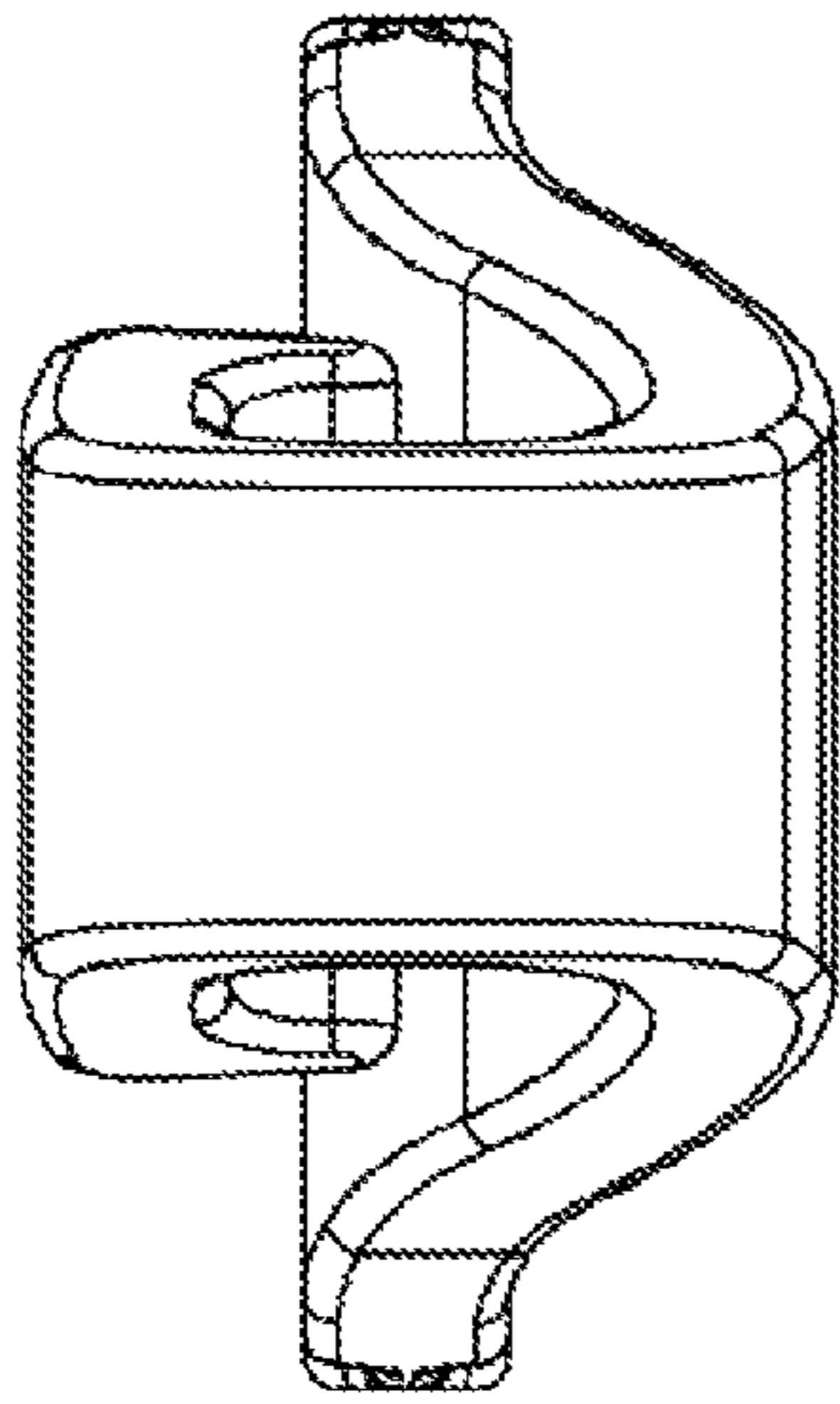


Fig 5

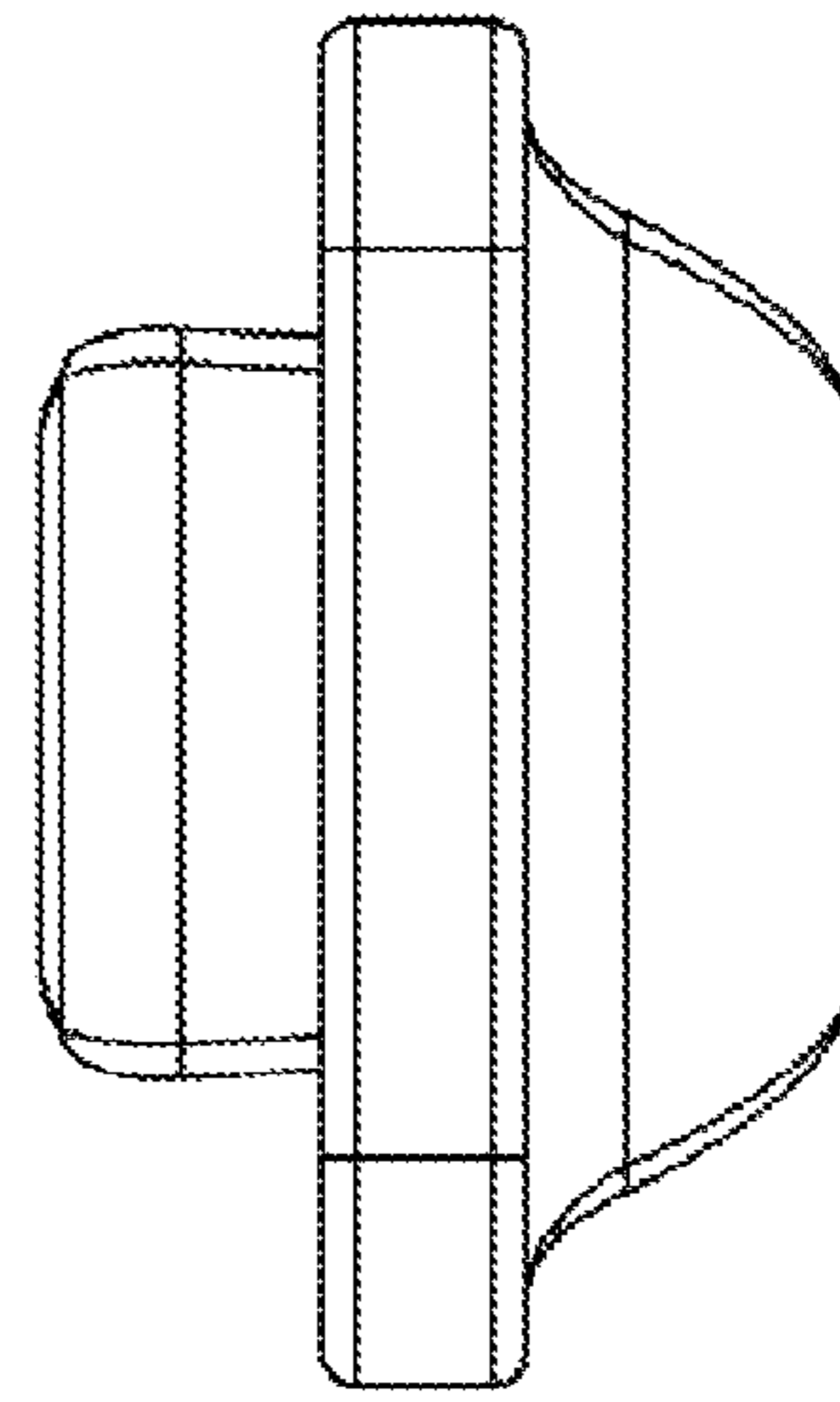


Fig 6

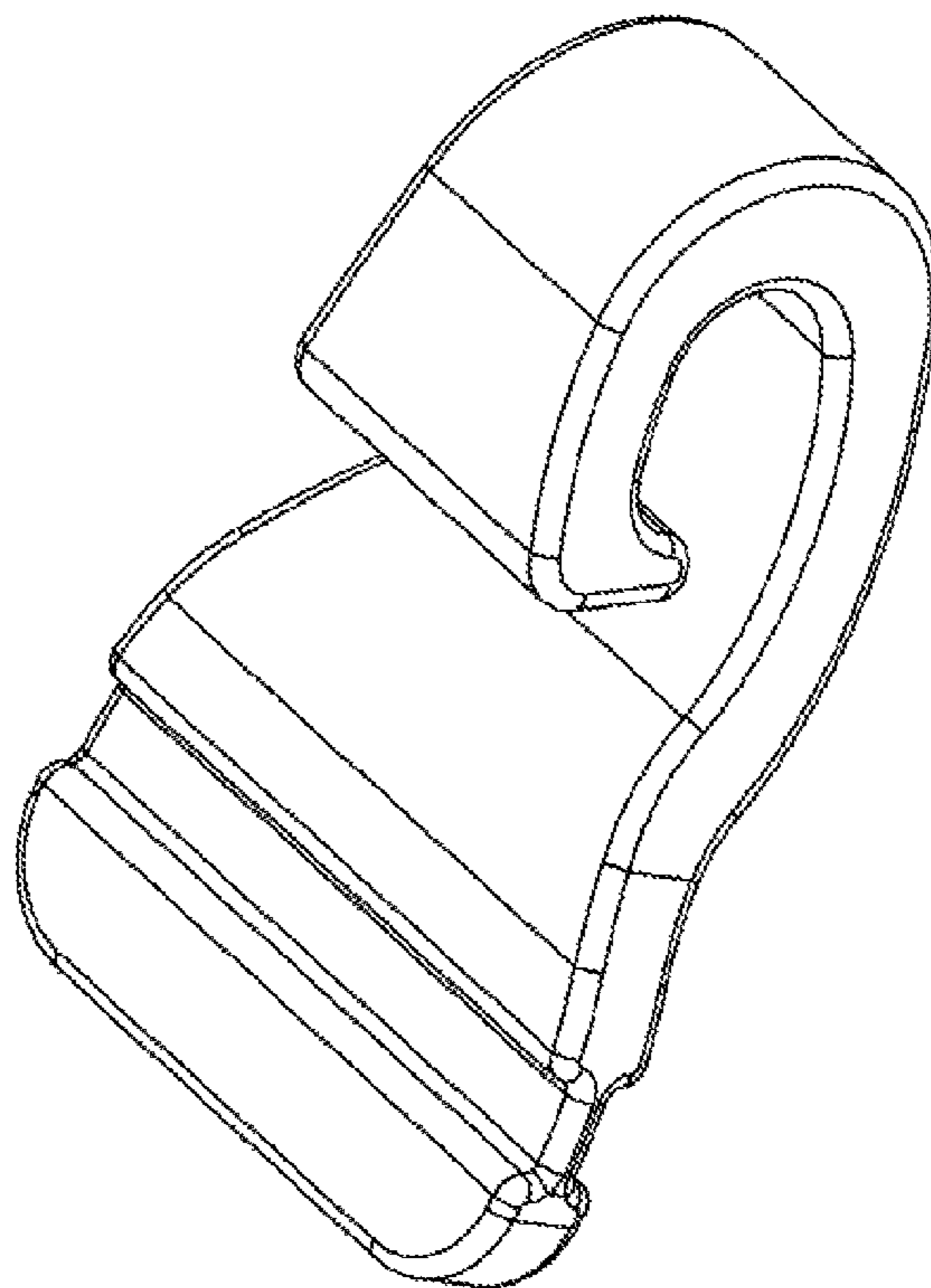


Fig 7