



US00D626401S

(12) **United States Design Patent**
Landy

(10) **Patent No.:** **US D626,401 S**

(45) **Date of Patent:** **** Nov. 2, 2010**

(54) **LEAD HOOK**

(75) **Inventor:** **Graeme Vincent Landy**, Newtown (AU)

(73) **Assignee:** **Landy Investment Pty Ltd**, North Geelong, VIC (AU)

(**) **Term:** **14 Years**

(21) **Appl. No.:** **29/338,524**

(22) **Filed:** **Jun. 12, 2009**

(30) **Foreign Application Priority Data**

Dec. 15, 2008 (AU) 200815875

(51) **LOC (9) Cl.** **08-08**

(52) **U.S. Cl.** **D8/356**

(58) **Field of Classification Search** D8/105,
D8/107, 333, 349, 354, 356, 358, 360, 360.1,
D8/367, 372, 373, 382, 383, 394-396, 400;
D13/133, 139.1, 139.4, 153, 154, 155; 24/18,
24/20 W, 23 W, 115 R, 197, 561, 573.11,
24/581.12, 582.13, 583.1; 52/220.7; 174/66,
174/135, 153 G, 650, 656; 242/400.1, 405.1,
242/405.2, 600, 603; 248/65, 74.1-74.4,
248/75, 201, 214, 215, 229.26; 439/92-108,
439/421, 501, 535

See application file for complete search history.

(56) **References Cited**

U.S. PATENT DOCUMENTS

D28,565 S * 5/1898 Branch D8/402

2,675,978 A * 4/1954 Brown 248/65
D265,286 S * 7/1982 Baldwin D8/356
D311,129 S * 10/1990 Barnhill, III D8/373
D391,839 S * 3/1998 Viklund et al. D8/356
5,746,610 A * 5/1998 Shiu 439/98
D401,211 S * 11/1998 Simpson D12/223
D404,010 S * 1/1999 Viklund et al. D13/155
D420,567 S * 2/2000 Laga et al. D8/373
D445,668 S * 7/2001 Hills, Sr. D8/354
7,093,727 B2 * 8/2006 Musico 211/105.1
7,612,286 B2 * 11/2009 Lipp et al. 174/68.1
2008/0111033 A1 * 5/2008 Eldridge 248/74.1

* cited by examiner

Primary Examiner—Robert M Spear

Assistant Examiner—Karen Acker

(74) *Attorney, Agent, or Firm*—Kauth, Pomeroy, Peck & Bailey LLP

(57) **CLAIM**

The ornamental design for a lead hook, as shown and described.

DESCRIPTION

FIG. 1 is a side view of a lead hook according to my new design;

FIG. 2 is a front view thereof

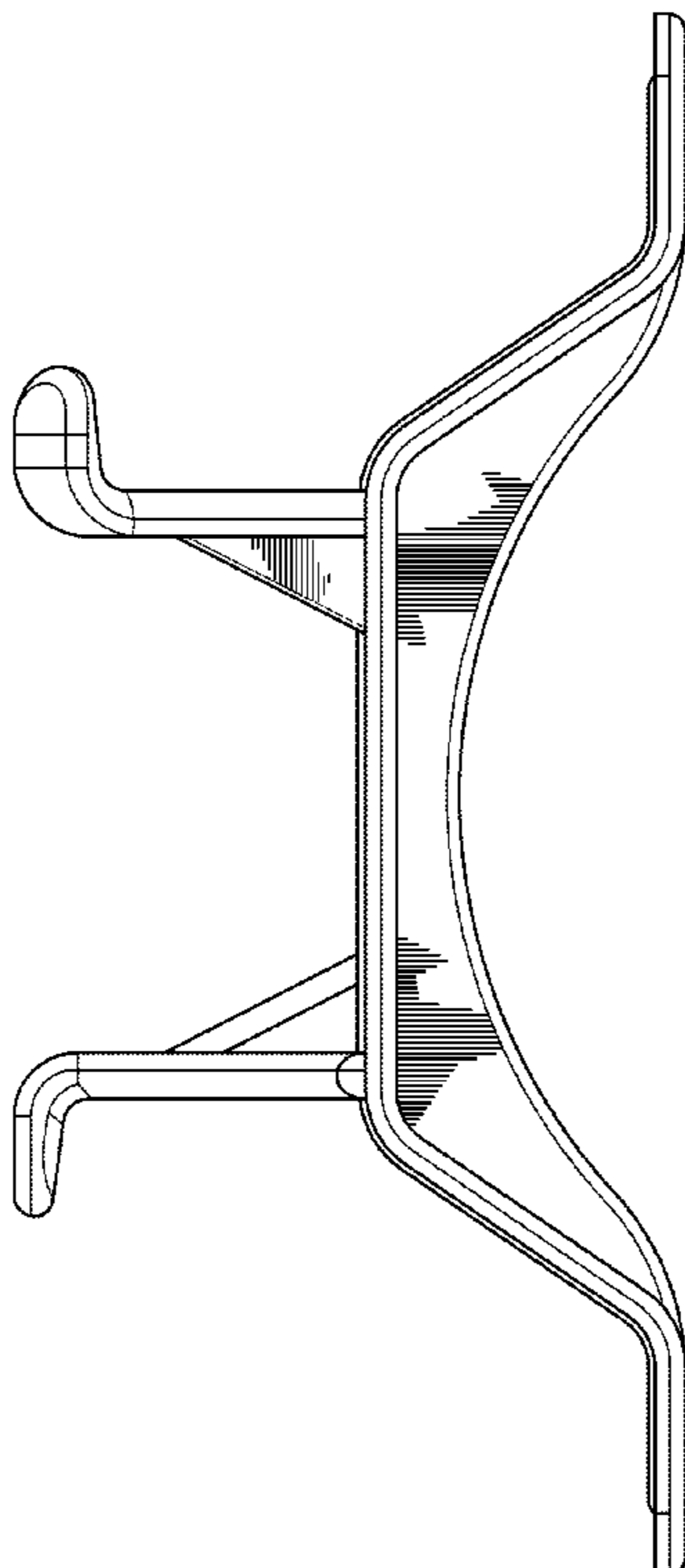
FIG. 3 is a rear view thereof;

FIG. 4 is a top view thereof;

FIG. 5 is a front perspective view thereof; and,

FIG. 6 is a rear perspective view thereof.

1 Claim, 6 Drawing Sheets



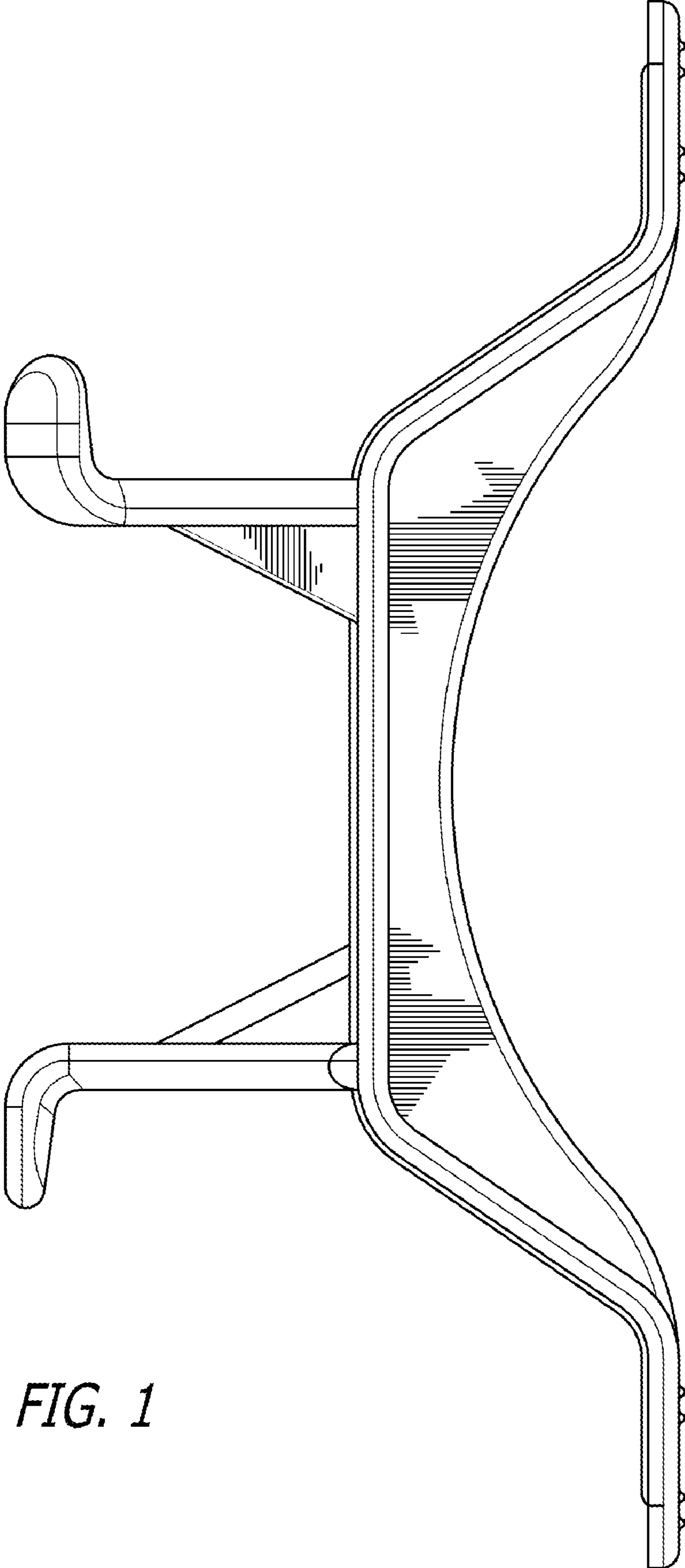


FIG. 1

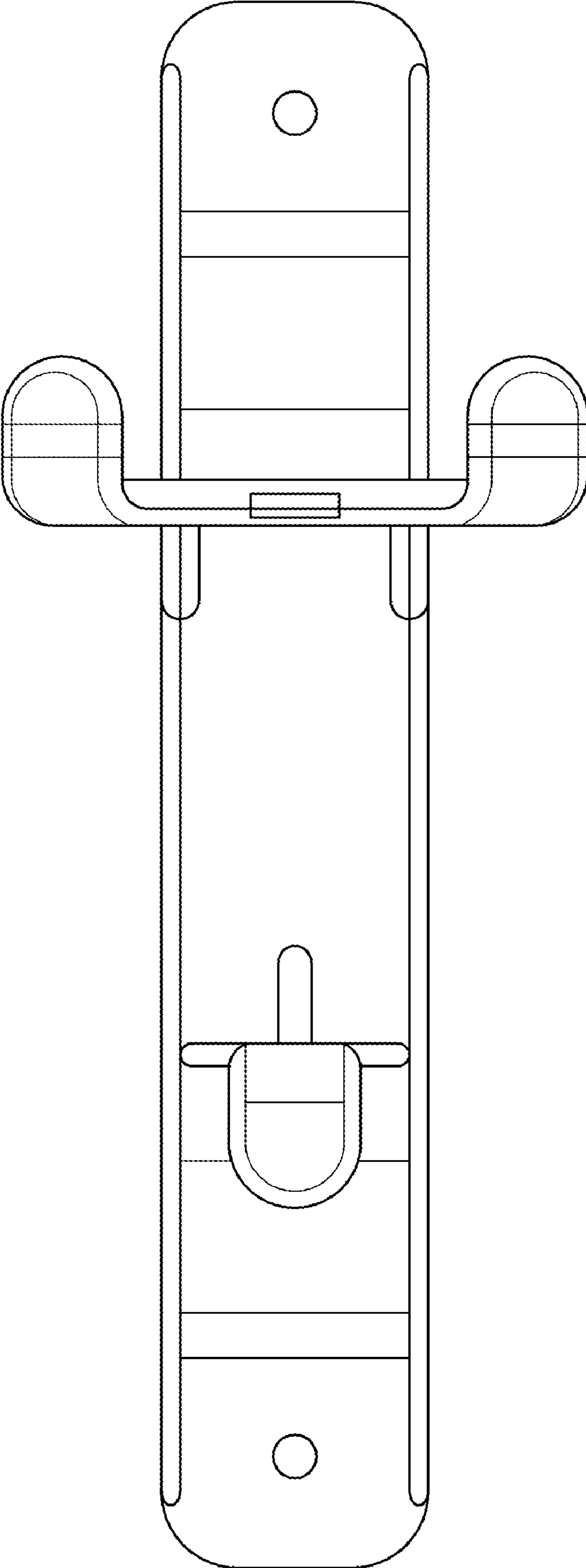


FIG. 2

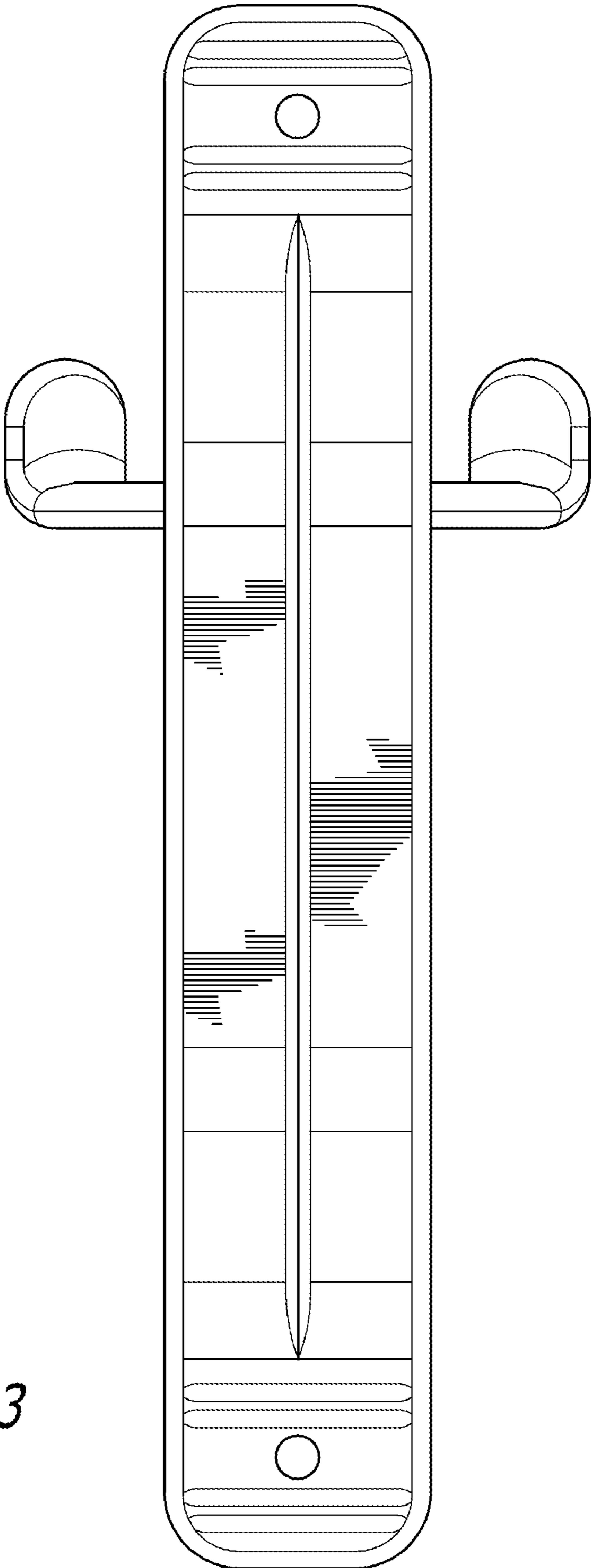


FIG. 3

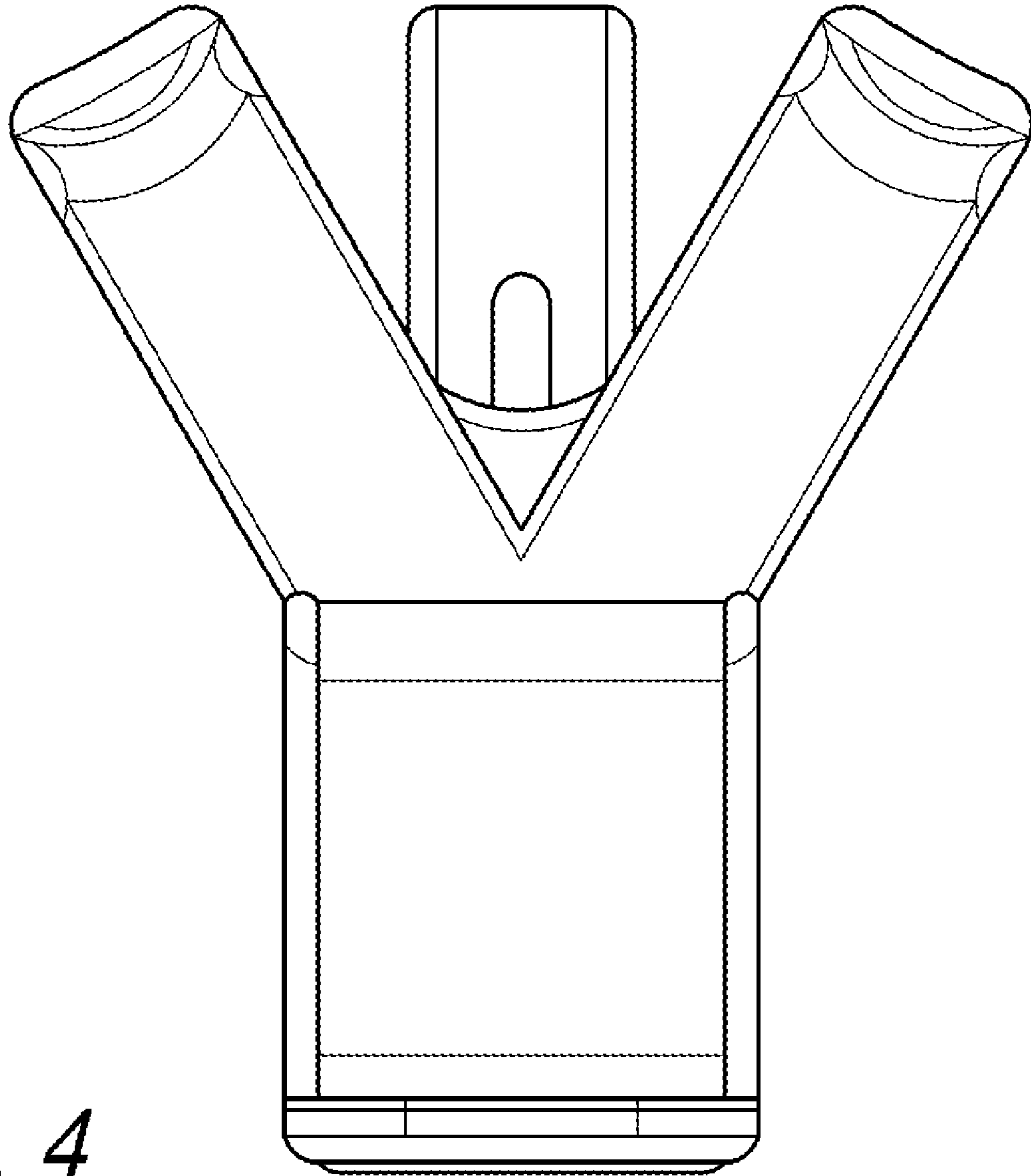


FIG. 4

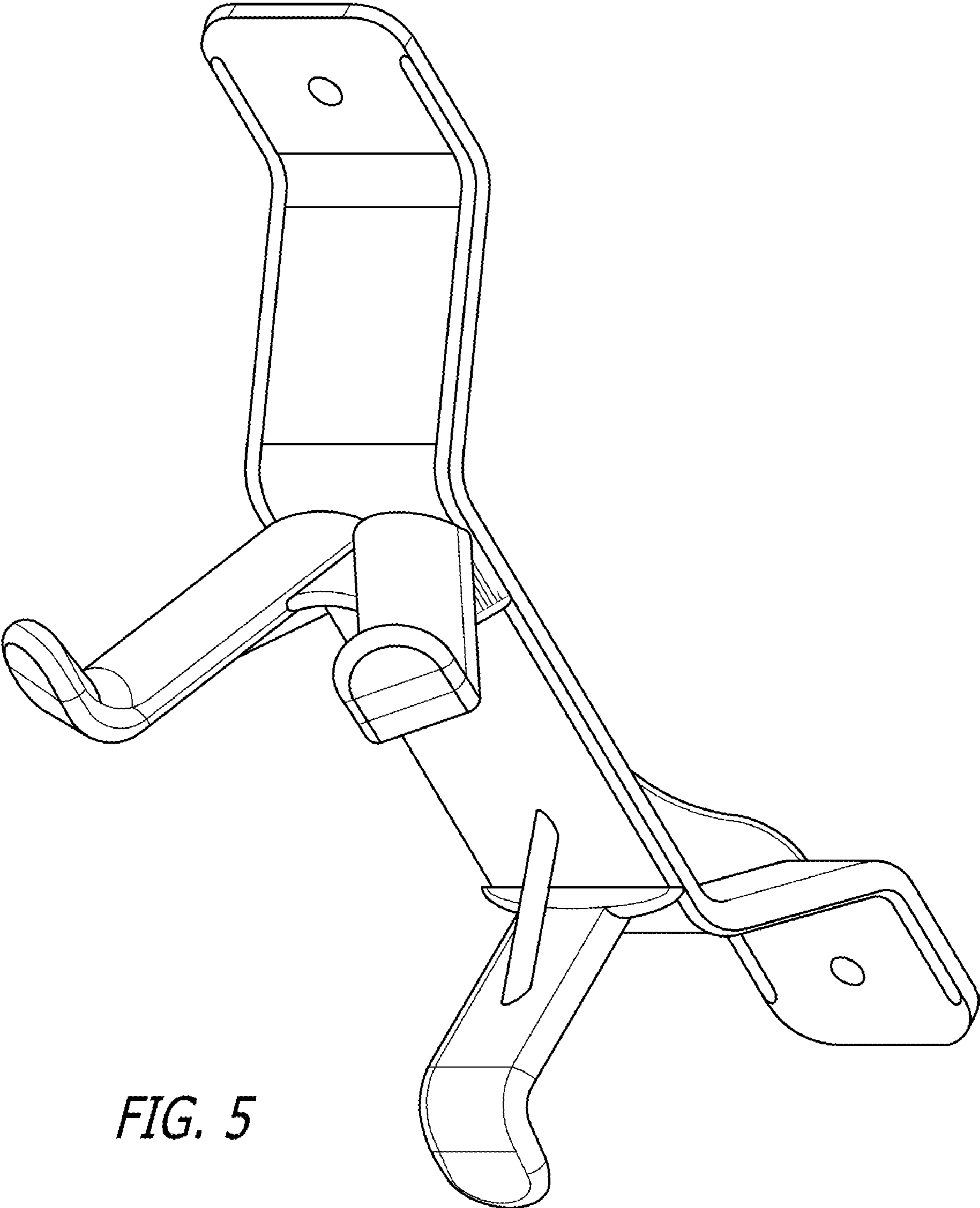


FIG. 5

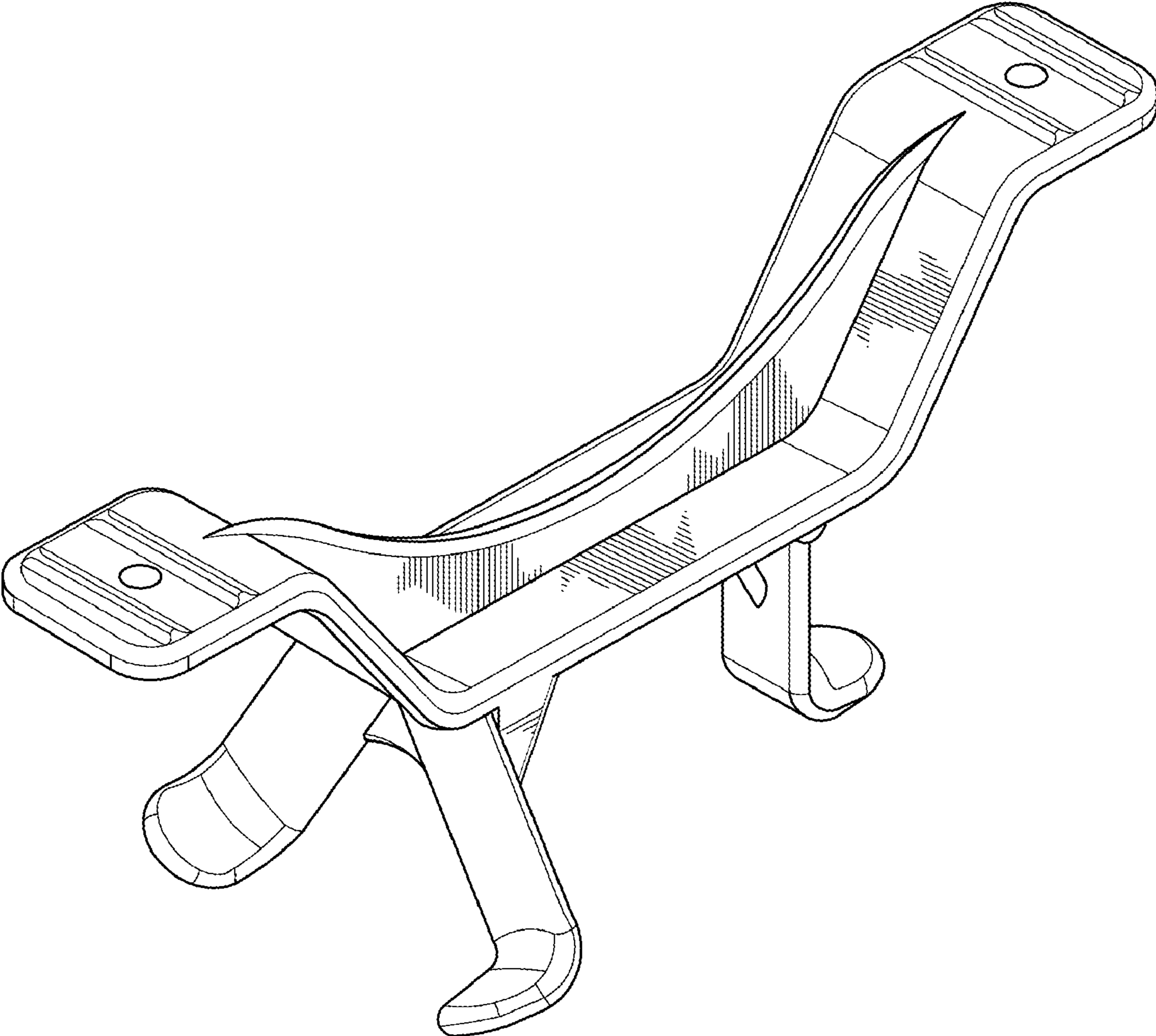


FIG. 6