



US00D626397S

(12) **United States Design Patent**  
**Smith et al.**

(10) **Patent No.:** **US D626,397 S**  
(45) **Date of Patent:** **\*\* Nov. 2, 2010**

- (54) **ABRASIVE SHARPENER**
- (75) Inventors: **Richard S. Smith**, Hot Spring, AR (US);  
**Louis Chalfant**, Hot Springs, AR (US)
- (73) Assignee: **Smith Abrasives. Inc.**, Hot Springs, AR (US)
- (\*\*) Term: **14 Years**
- (21) Appl. No.: **29/311,262**
- (22) Filed: **Feb. 3, 2009**
- (51) **LOC (9) Cl.** ..... **08-05**
- (52) **U.S. Cl.** ..... **D8/93**
- (58) **Field of Classification Search** ..... D8/63,  
D8/90-94; 76/82, 84, 86-89; 451/552, 555-558  
See application file for complete search history.

- D587,088 S \* 2/2009 Smith ..... D8/93
- D587,551 S \* 3/2009 Friel et al. .... D8/93
- D603,679 S \* 11/2009 Smith ..... D8/93
- D604,134 S \* 11/2009 Smith et al. .... D8/63
- D604,135 S \* 11/2009 Smith et al. .... D8/63

\* cited by examiner

*Primary Examiner*—Philip S Hyder  
*Assistant Examiner*—Roselynn H Ulm  
(74) *Attorney, Agent, or Firm*—Edward D. Gilhooly

(57) **CLAIM**

The design for an abrasive sharpener, as shown and described.

**DESCRIPTION**

FIG. 1 is a front perspective view of the design for an abrasive sharpener of the invention;

FIG. 2 is the bottom plan view of the abrasive sharpener of FIG. 1;

FIG. 3 is top plan view of the abrasive sharpener of FIG. 1;

FIG. 4 is a front elevational view of the abrasive sharpener of FIG. 1;

FIG. 5 is a back elevational view of the abrasive sharpener of FIG. 1;

FIG. 6 is a right end elevational view of the abrasive sharpener of FIG. 1; and,

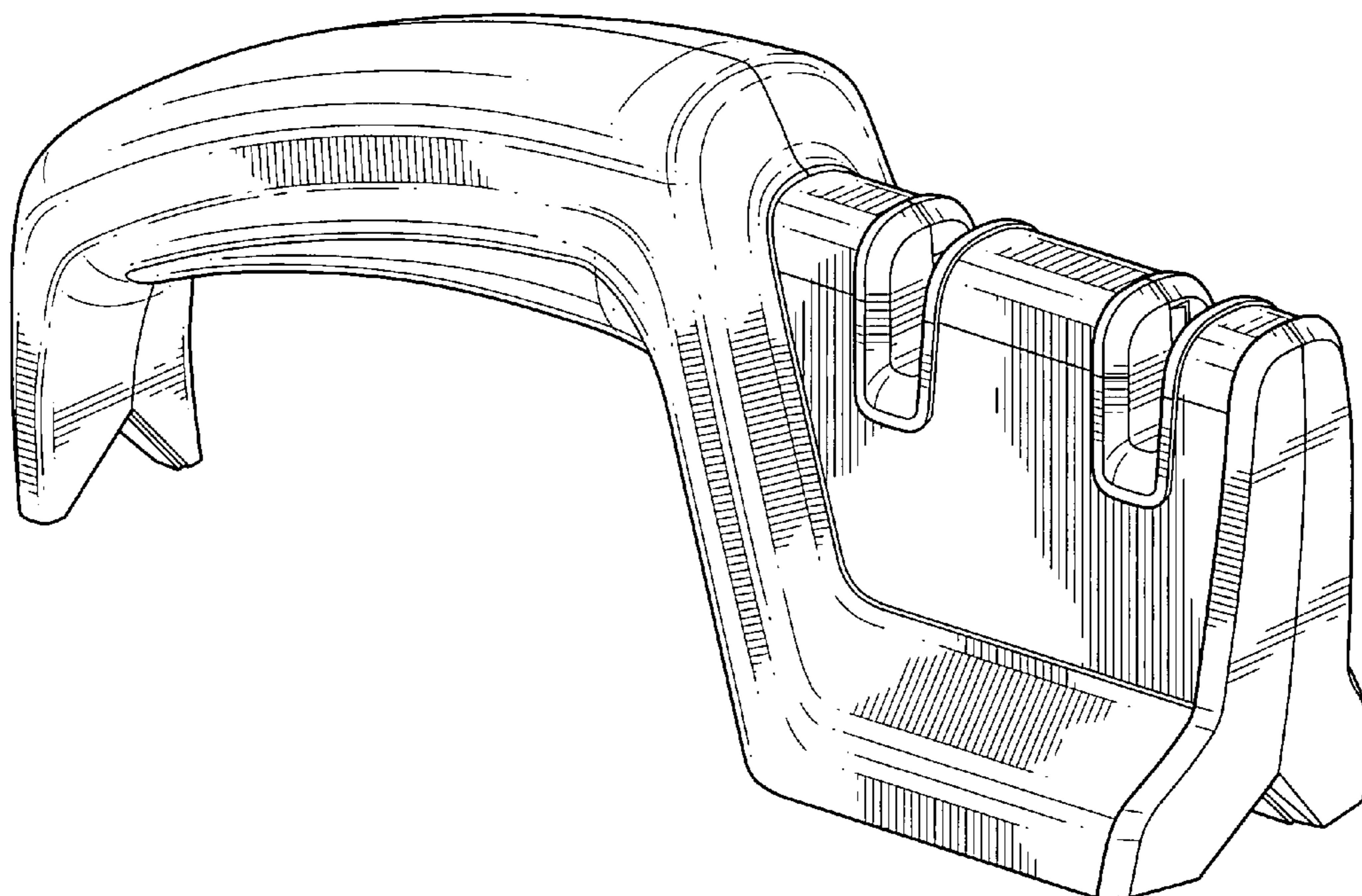
FIG. 7 is a left end elevational view of the abrasive sharpener of FIG. 1.

(56) **References Cited**

U.S. PATENT DOCUMENTS

- D173,204 S \* 10/1954 Hussar ..... D8/93
- D183,530 S \* 9/1958 Lamb ..... D8/93
- D299,308 S \* 1/1989 Prindle ..... D8/93
- D315,663 S \* 3/1991 Dolbosco ..... D8/93
- D323,450 S \* 1/1992 Shimizu ..... D8/93
- D357,395 S \* 4/1995 Friel ..... D8/93
- D368,217 S \* 3/1996 Friel ..... D8/93
- D372,181 S \* 7/1996 Kelley ..... D8/93
- D392,869 S \* 3/1998 Rieser ..... D8/93
- D402,523 S \* 12/1998 Thomas ..... D8/93
- D526,876 S \* 8/2006 Smith ..... D8/93
- D582,238 S \* 12/2008 Mullen ..... D8/91

**1 Claim, 5 Drawing Sheets**



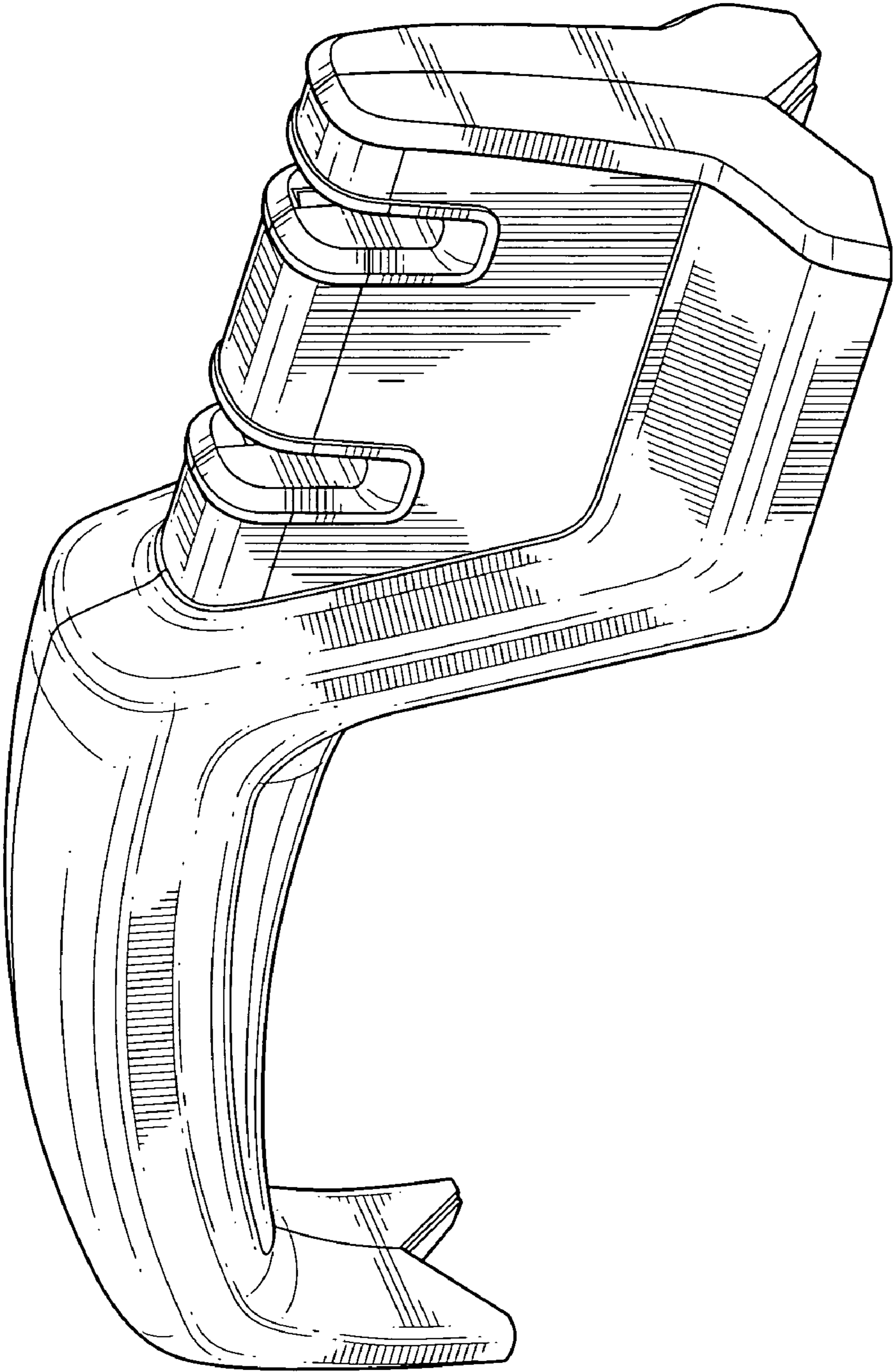


FIG.1

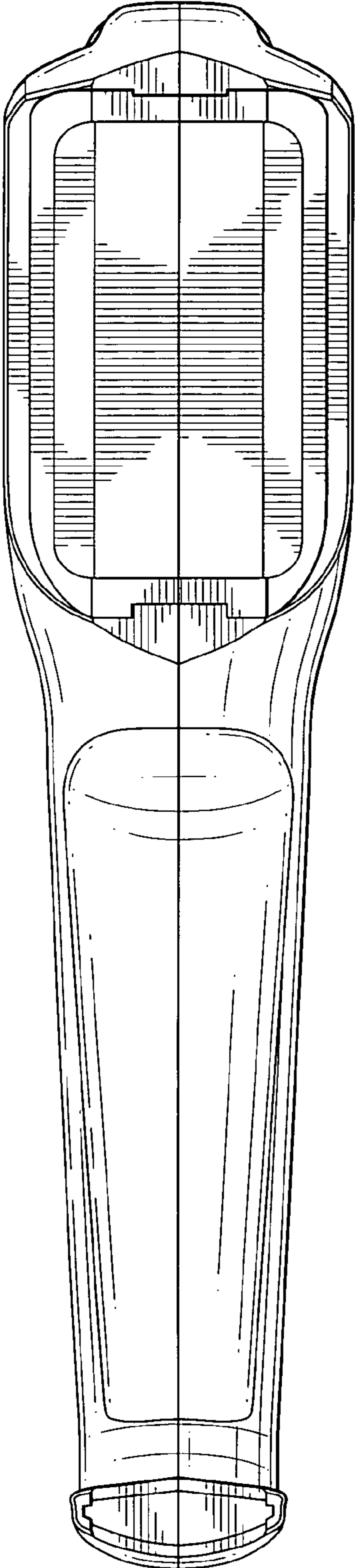


FIG. 2

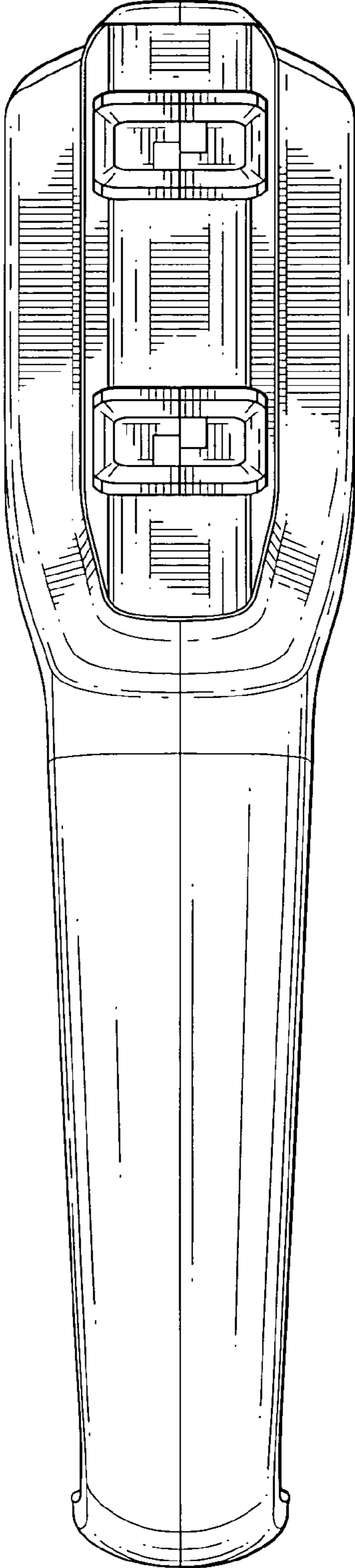


FIG. 3

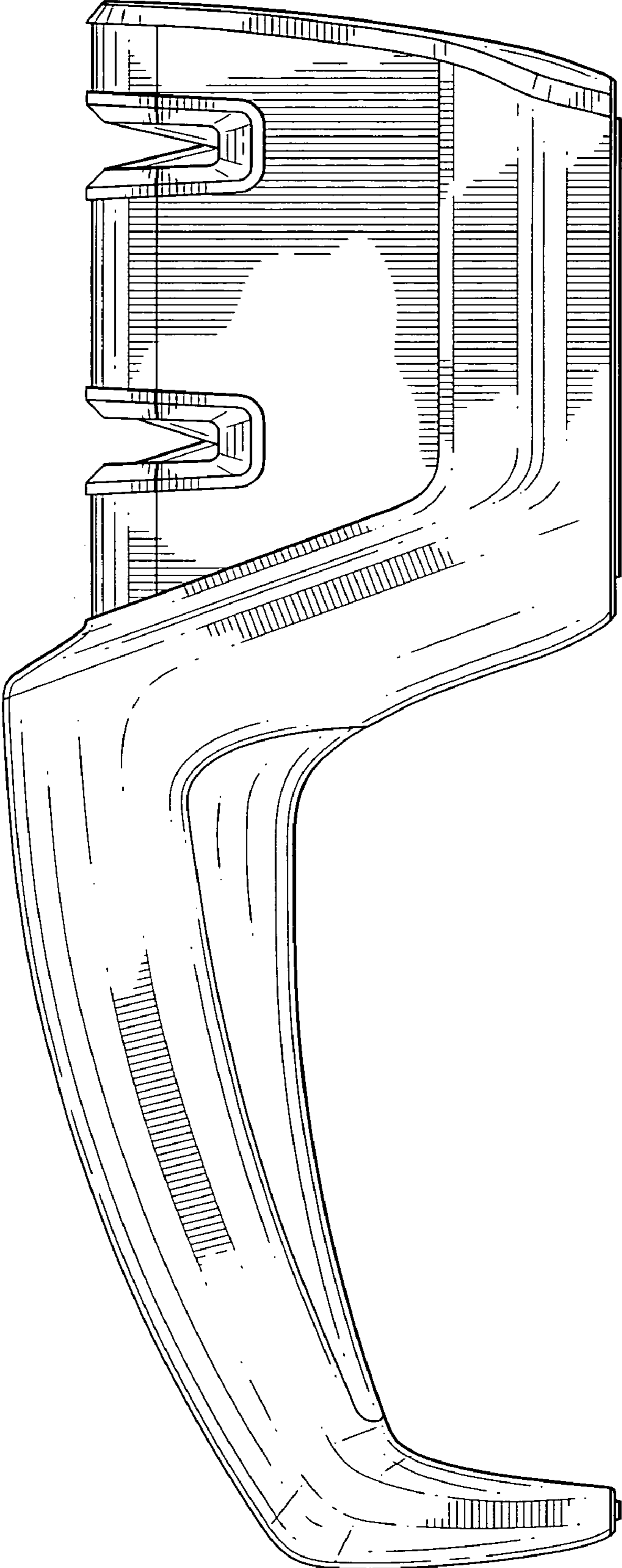


FIG.4



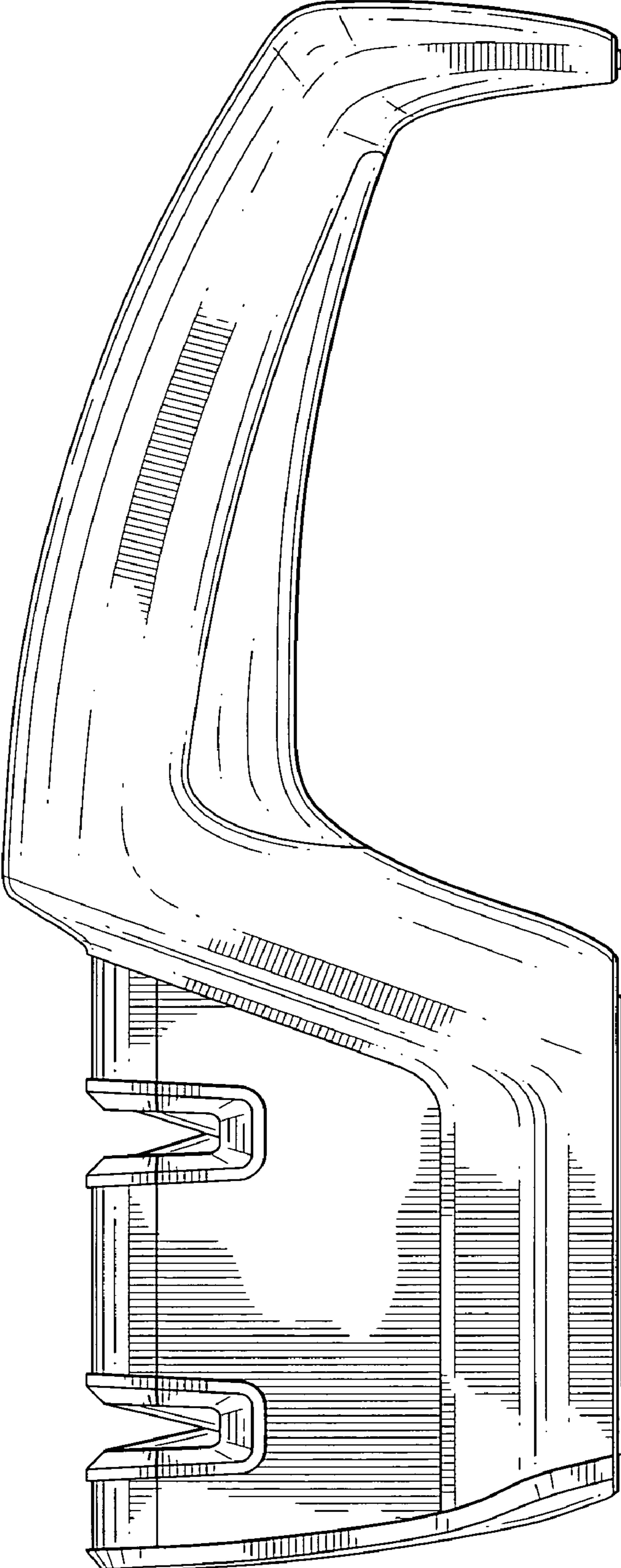


FIG. 5

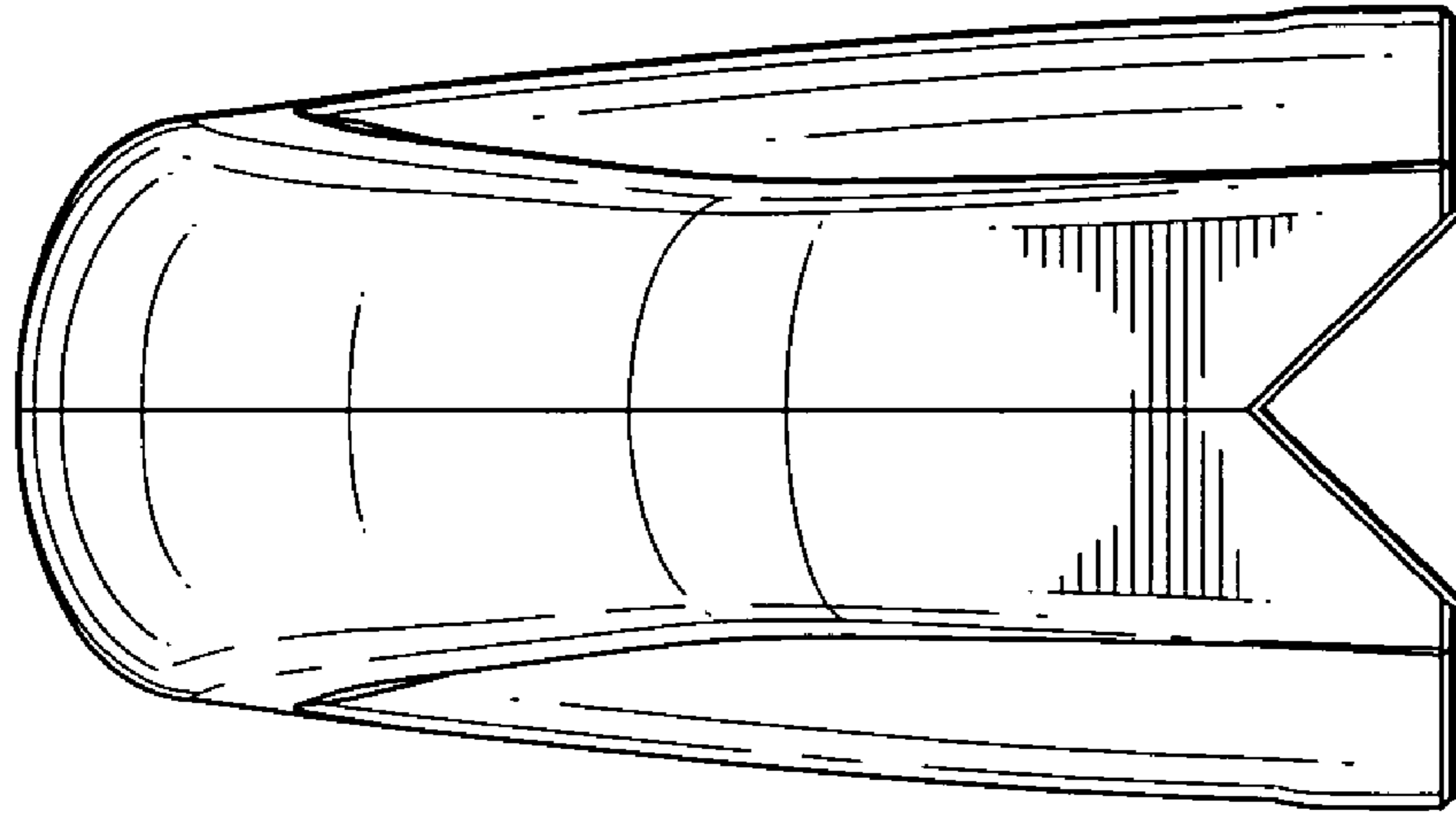


FIG. 7

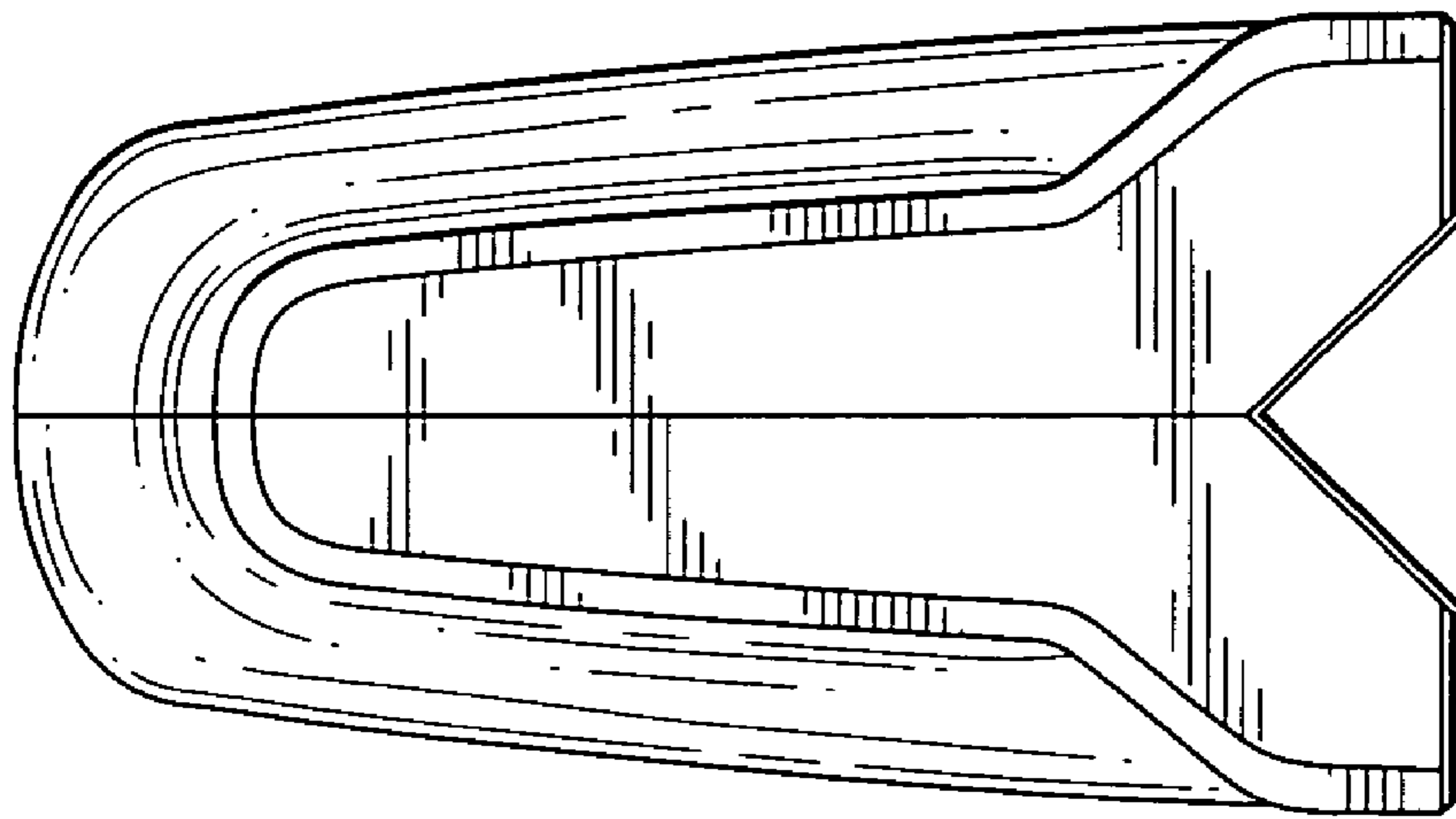


FIG. 6