



US00D626395S

(12) **United States Design Patent**
Lau et al.

(10) **Patent No.:** **US D626,395 S**
(45) **Date of Patent:** **** Nov. 2, 2010**

(54) **TOOL HEAD INTERFACE FOR CONNECTION TO TOOL BODY**

(75) Inventors: **Siu Yan Lau**, Hong Kong (CN); **Taku Ohi**, Greer, SC (US); **Thomas Parel**, Anderson, SC (US)

(73) Assignee: **Techtronic Power Tools Technology Limited**, Tortola (VG)

(**) Term: **14 Years**

(21) Appl. No.: **29/352,336**

(22) Filed: **Dec. 18, 2009**

(51) **LOC (9) Cl.** **08-05**

(52) **U.S. Cl.** **D8/70; D8/71**

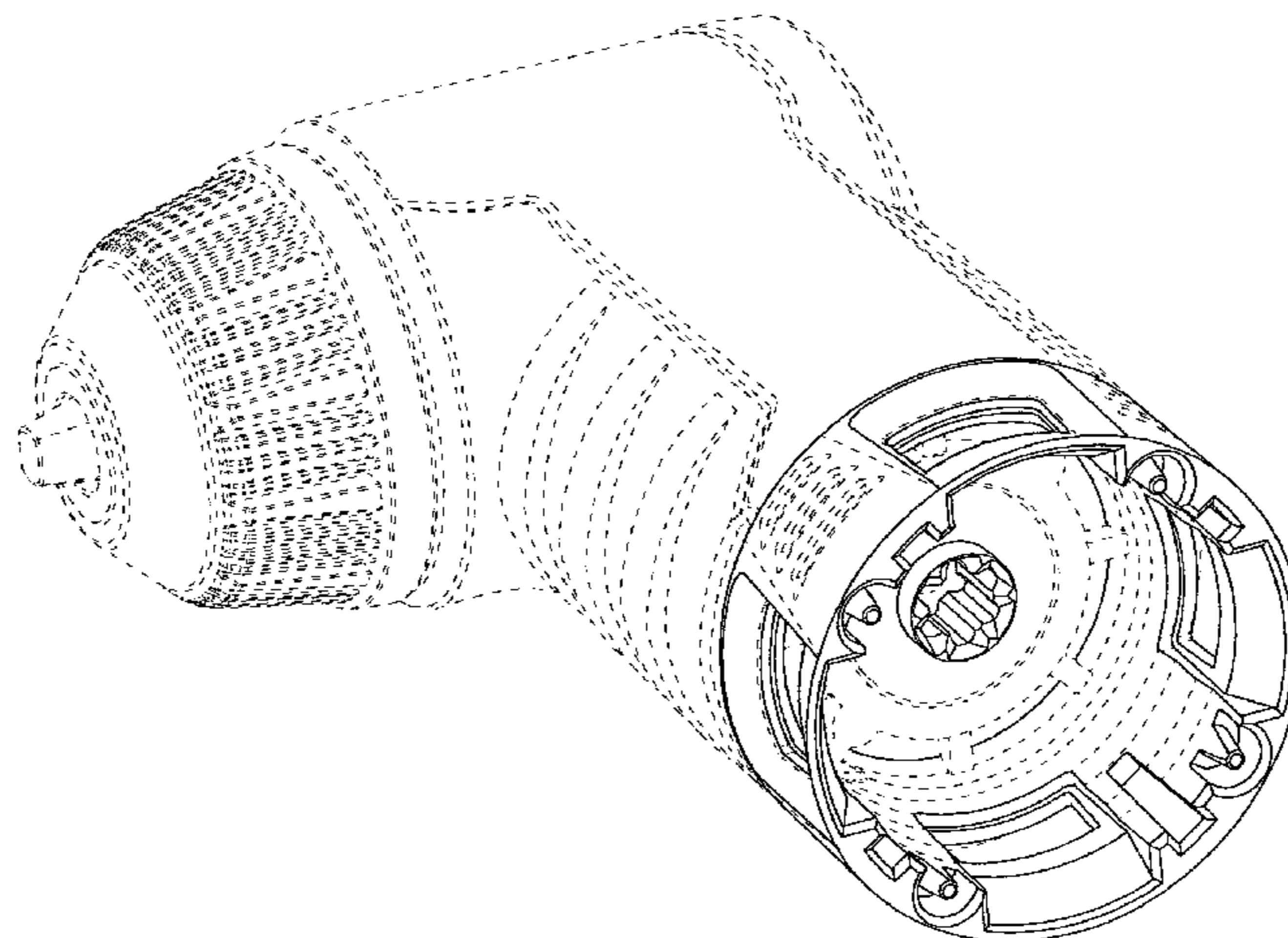
(58) **Field of Classification Search** **D8/70-71;**
81/57.12, 57.13, 57.29; 173/216, 217, 29;
279/22, 143, 103; 362/119; 408/239 A;
409/182; 451/358-359

See application file for complete search history.

4,813,808 A	3/1989	Gehrke
4,974,475 A	12/1990	Lord et al.
5,033,552 A	7/1991	Hu
5,052,496 A	10/1991	Albert et al.
5,170,851 A	12/1992	Kress et al.
5,562,015 A	10/1996	Zinck
5,771,516 A	6/1998	Huang
5,993,454 A	11/1999	Longo
D420,267 S	2/2000	Robson
6,039,126 A	3/2000	Hsieh
6,153,838 A	11/2000	Wadge
6,170,579 B1	1/2001	Wadge
6,176,322 B1	1/2001	Wadge
6,206,107 B1	3/2001	Wadge
6,263,979 B1	7/2001	Dyke et al.
6,263,980 B1	7/2001	Wadge
D447,035 S	8/2001	Netzler
6,286,611 B1	9/2001	Bone
6,352,127 B1	3/2002	Yorde
6,553,642 B2	4/2003	Driessen
6,568,298 B1	5/2003	Zinck
6,634,439 B2	10/2003	Driessen
6,641,467 B1	11/2003	Robson et al.
6,675,911 B2	1/2004	Driessen
6,712,368 B2	3/2004	Bohn et al.
6,715,380 B2	4/2004	Listl et al.
6,789,447 B1	9/2004	Zinck
6,789,448 B2	9/2004	Ono et al.
6,915,721 B2	7/2005	Hsu et al.
7,021,399 B2	4/2006	Driessen
7,063,170 B2	6/2006	Ortt et al.
7,069,816 B1	7/2006	Saathoff et al.
7,077,736 B2	7/2006	Uzumcu et al.
7,100,705 B2	9/2006	Ortt et al.
7,137,457 B2	11/2006	Frauhammer et al.
7,273,159 B2	9/2007	Brotto
7,306,050 B2	12/2007	Chen
7,413,025 B2	8/2008	Provost
D587,978 S *	3/2009	Aglassinger D8/70
7,549,953 B2 *	6/2009	Walters 408/239 A
7,568,288 B2	8/2009	Baker
7,578,730 B2 *	8/2009	Chen 451/466
7,596,872 B2	10/2009	Clarke et al.
2002/0020539 A1	2/2002	Driessen
2002/0148623 A1	10/2002	Pan
2004/0103761 A1	6/2004	Pillow
2007/0193761 A1	8/2007	Brotto
2007/0240892 A1	10/2007	Brotto et al.
2008/0136125 A1	6/2008	Hirt et al.

(56) **References Cited**
U.S. PATENT DOCUMENTS

2,539,387 A	1/1951	Alden
2,726,689 A	12/1955	Busby
2,808,085 A	10/1957	Hollien et al.
2,808,749 A	10/1957	Lampke
3,009,493 A	11/1961	Dodegge
3,260,541 A	7/1966	Sadler et al.
3,574,374 A	4/1971	Keller et al.
3,703,089 A	11/1972	Geisthoff et al.
3,724,237 A	4/1973	Wood
3,734,515 A	5/1973	Dudek
3,759,336 A	9/1973	Marcovitz et al.
3,952,239 A	4/1976	Owings et al.
4,078,589 A	3/1978	Miller
RE30,680 E	7/1981	Kress et al.
4,346,630 A	8/1982	Hanson
4,392,836 A	7/1983	Sugawara
4,448,098 A	5/1984	Totsu
4,524,649 A	6/1985	Diaz et al.
4,639,163 A	1/1987	Buthe et al.



2009/0272554 A1 11/2009 Young et al.

FOREIGN PATENT DOCUMENTS

EP 1129825 A2 5/2001
WO 2008057023 A1 5/2008

* cited by examiner

Primary Examiner—Antoine D Davis
(74) Attorney, Agent, or Firm—Michael Best & Friedrich LLP

(57) **CLAIM**

We claim the ornamental design for a tool head interface for connection to tool body, as shown and described in the figures.

DESCRIPTION

FIG. 1 is a perspective view of a tool head interface embodying the invention.

FIG. 2 is a left side view of the tool head interface shown in FIG. 1.

FIG. 3 is a right side view of the tool head interface shown in FIG. 1.

FIG. 4 is a front view of the tool head interface shown in FIG. 1.

FIG. 5 is a rear view of the tool head interface shown in FIG. 1.

FIG. 6 is a top view of the tool head interface shown in FIG. 1.

FIG. 7 is a bottom view of the tool head interface shown in FIG. 1.

FIG. 8 is a perspective view of another embodiment of a tool head interface.

FIG. 9 is a left side view of the tool head interface shown in FIG. 8.

FIG. 10 is a right side view of the tool head interface shown in FIG. 8.

FIG. 11 is a front view of the tool head interface shown in FIG. 8.

FIG. 12 is a rear view of the tool head interface shown in FIG. 8.

FIG. 13 is a top view of the tool head interface shown in FIG. 8.

FIG. 14 is a bottom view of the tool head interface shown in FIG. 8.

FIG. 15 is a perspective view of another embodiment of a tool head interface.

FIG. 16 is a left side view of the tool head interface shown in FIG. 15.

FIG. 17 is a right side view of the tool head interface shown in FIG. 15.

FIG. 18 is a front view of the tool head interface shown in FIG. 15.

FIG. 19 is a rear view of the tool head interface shown in FIG. 15.

FIG. 20 is a top view of the tool head interface shown in FIG. 15.

FIG. 21 is a bottom view of the tool head interface shown in FIG. 15.

FIG. 22 is a perspective view of another embodiment of a tool head interface.

FIG. 23 is a left side view of the tool head interface shown in FIG. 22.

FIG. 24 is a right side view of the tool head interface shown in FIG. 22.

FIG. 25 is a front view of the tool head interface shown in FIG. 22.

FIG. 26 is a rear view of the tool head interface shown in FIG. 22.

FIG. 27 is a top view of the tool head interface shown in FIG. 22; and,

FIG. 28 is a bottom view of the tool head interface shown in FIG. 22.

The portions of the tool head interfaces shown in broken lines are included for the purpose of illustrating environment and form no part of the claimed design.

1 Claim, 18 Drawing Sheets

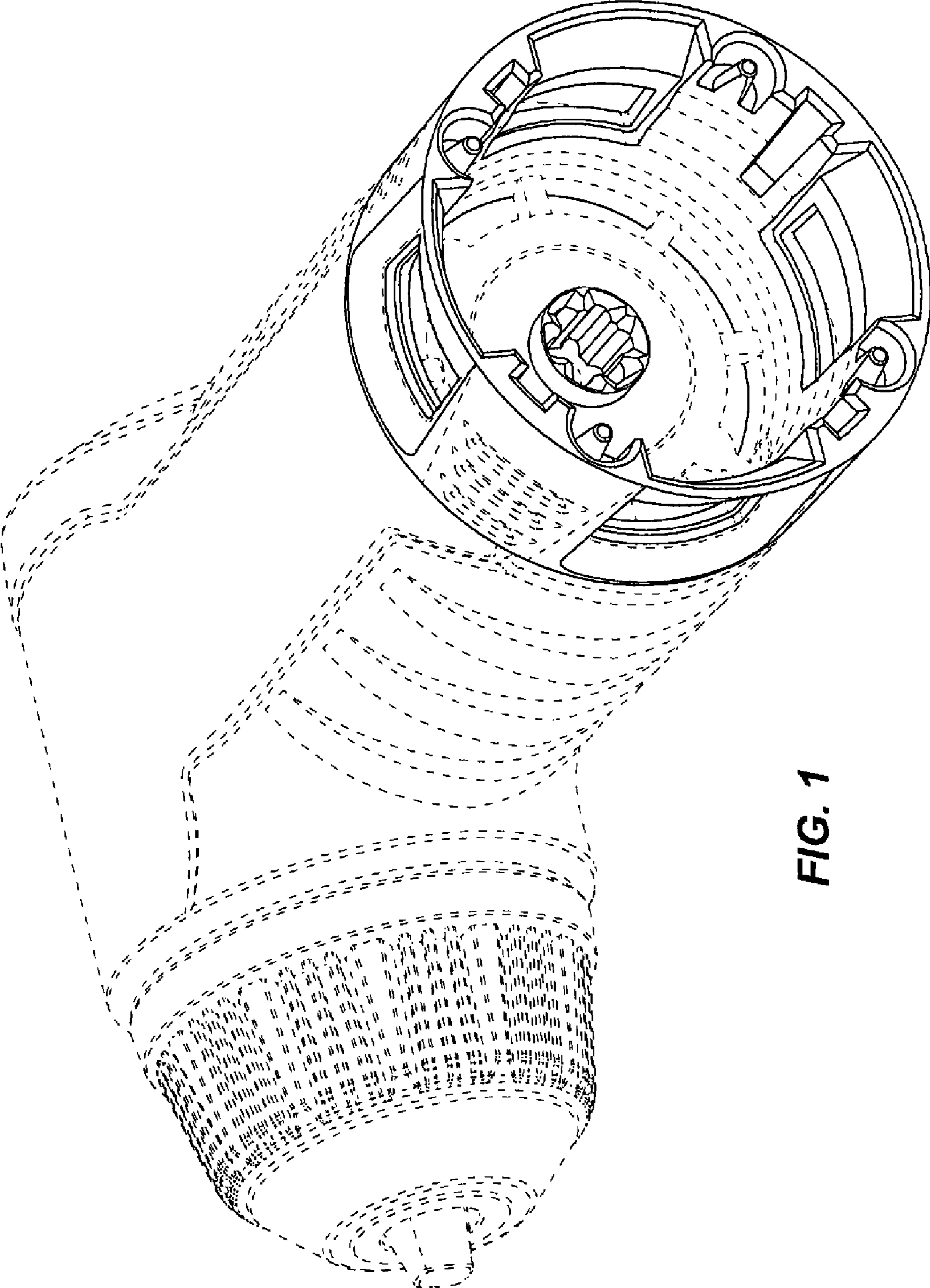


FIG. 1

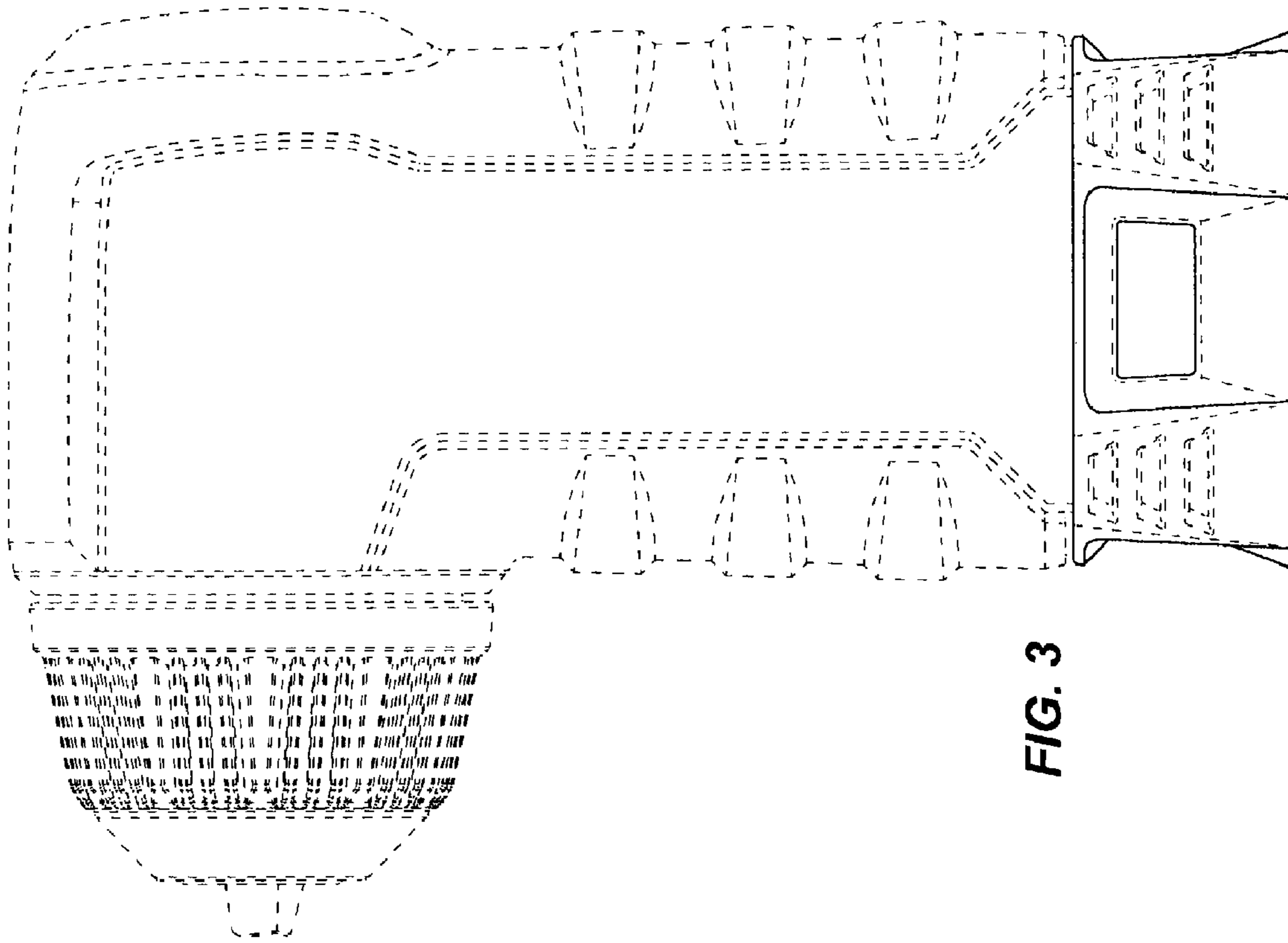


FIG. 3

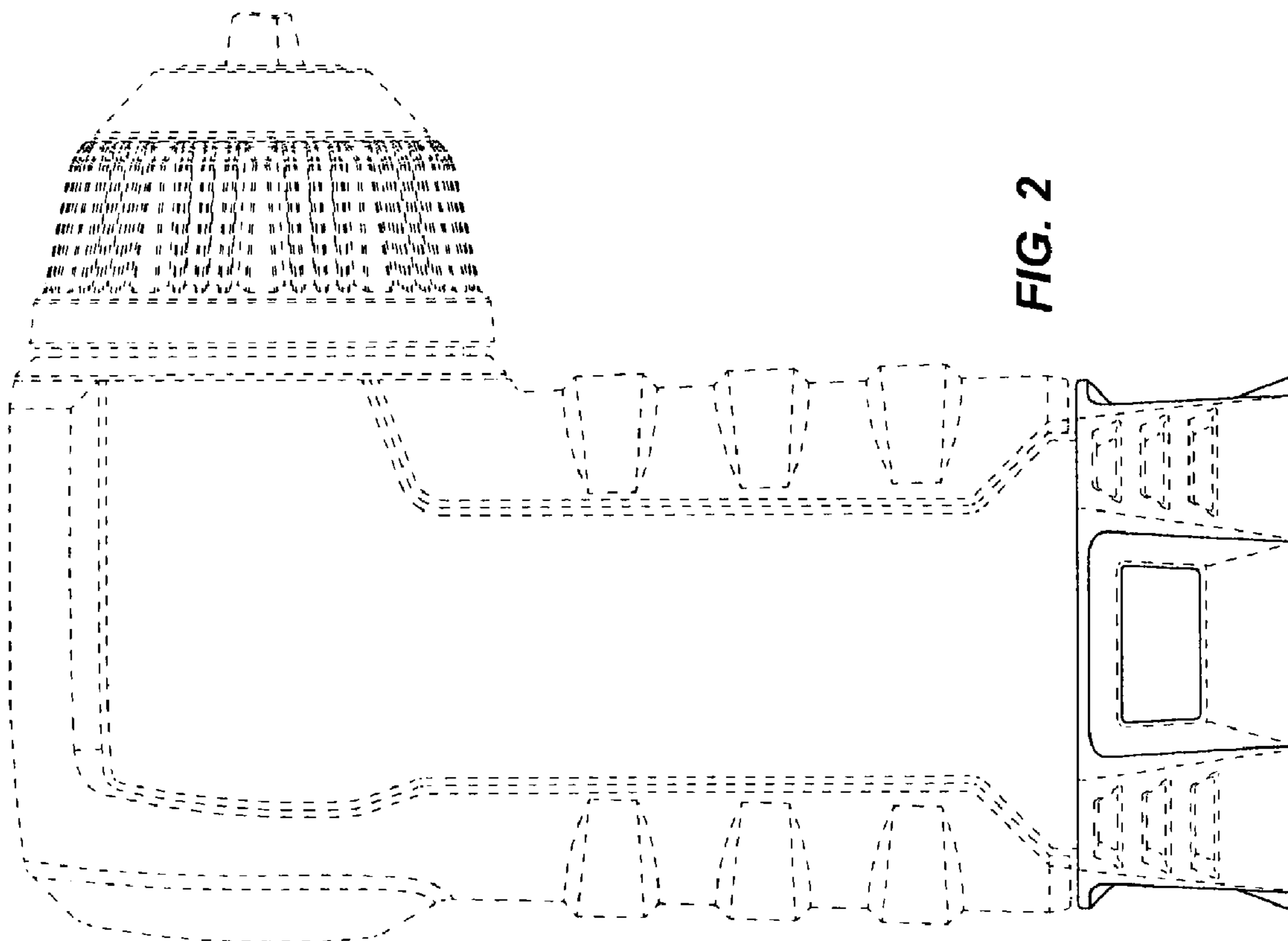


FIG. 2

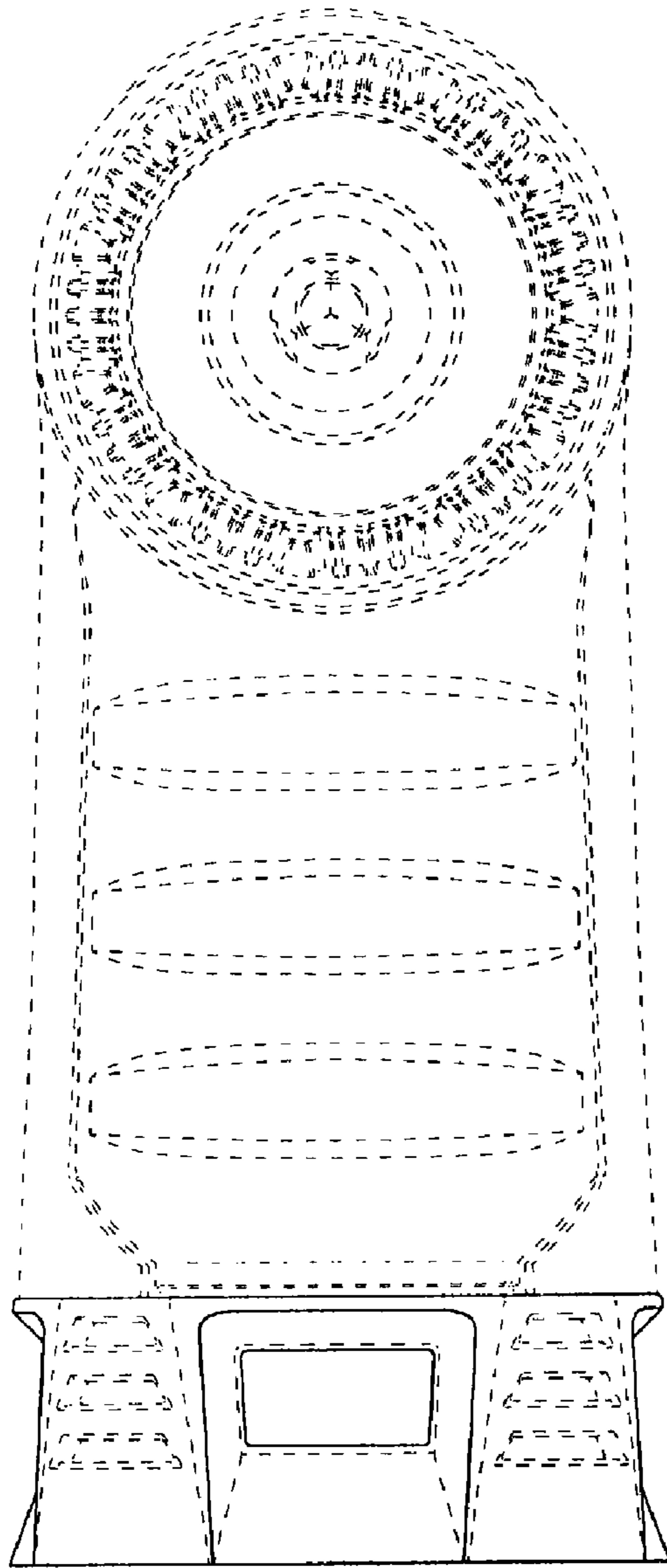


FIG. 4

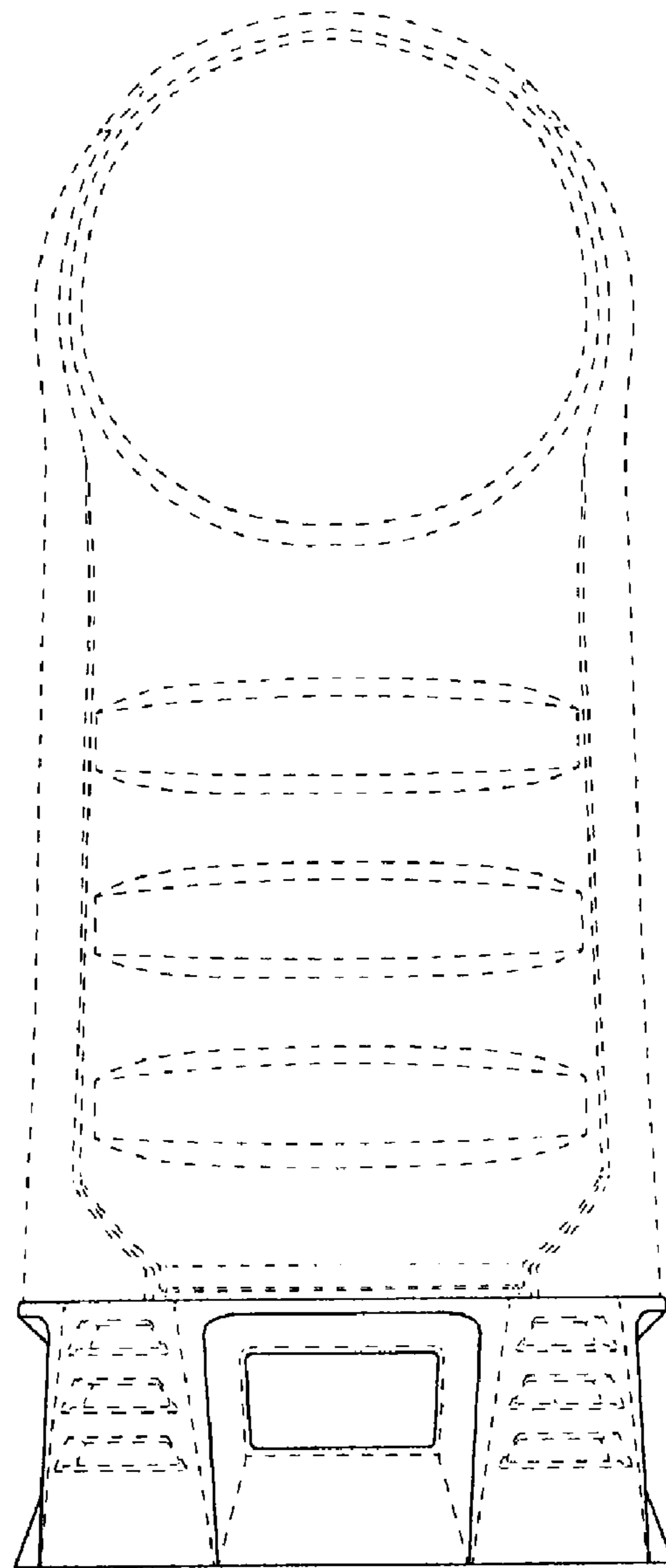


FIG. 5

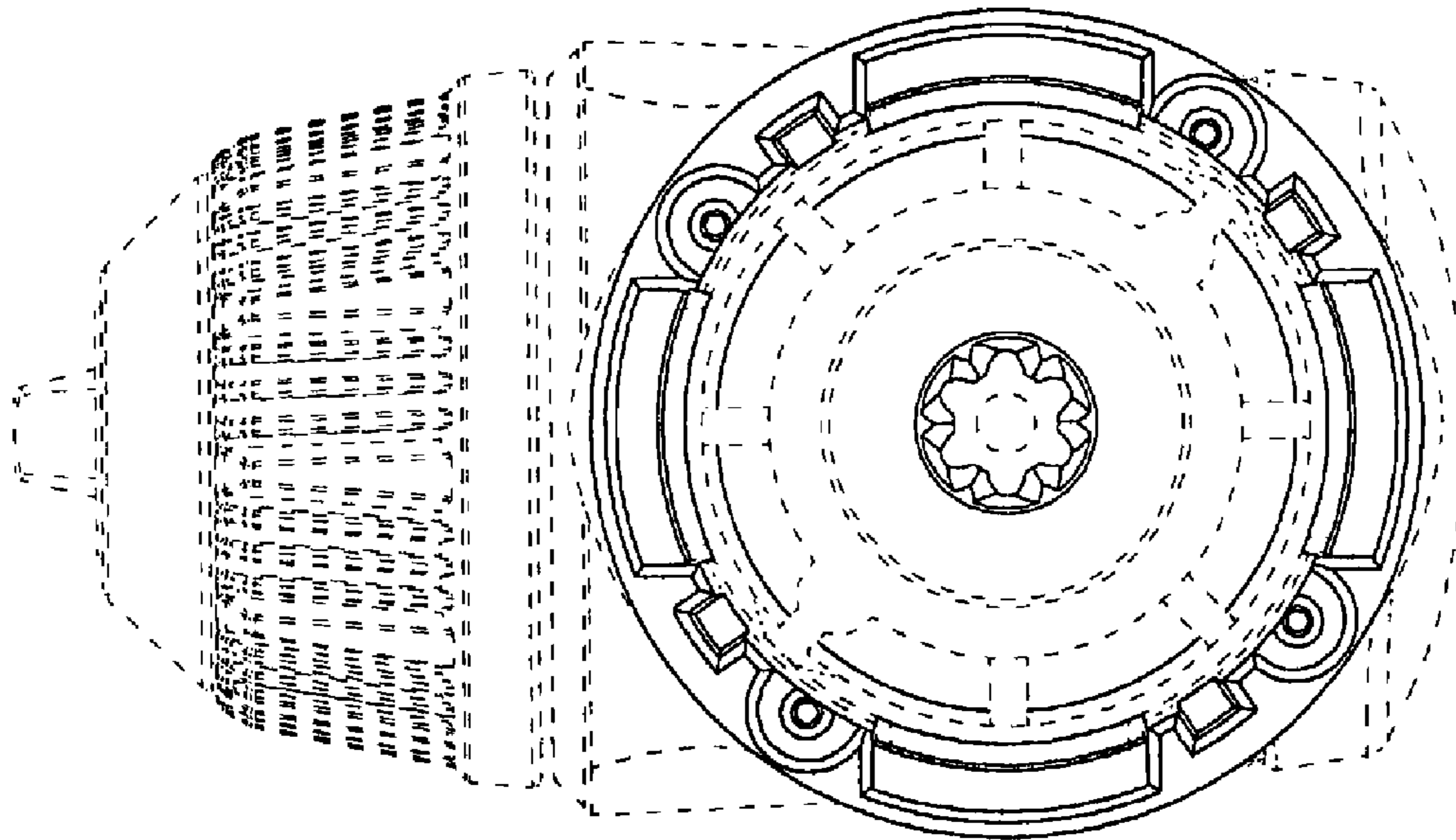


FIG. 6

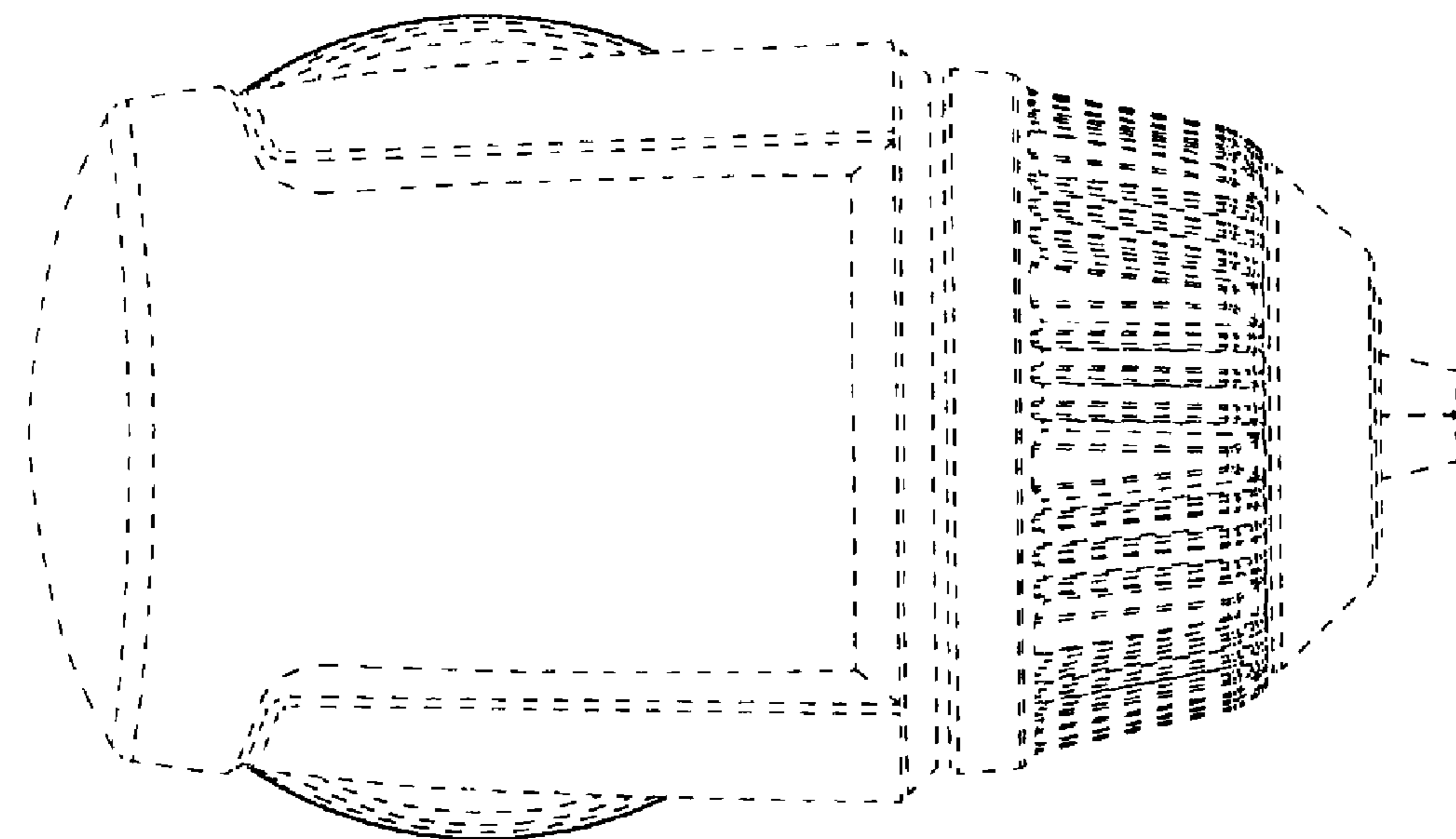


FIG. 7

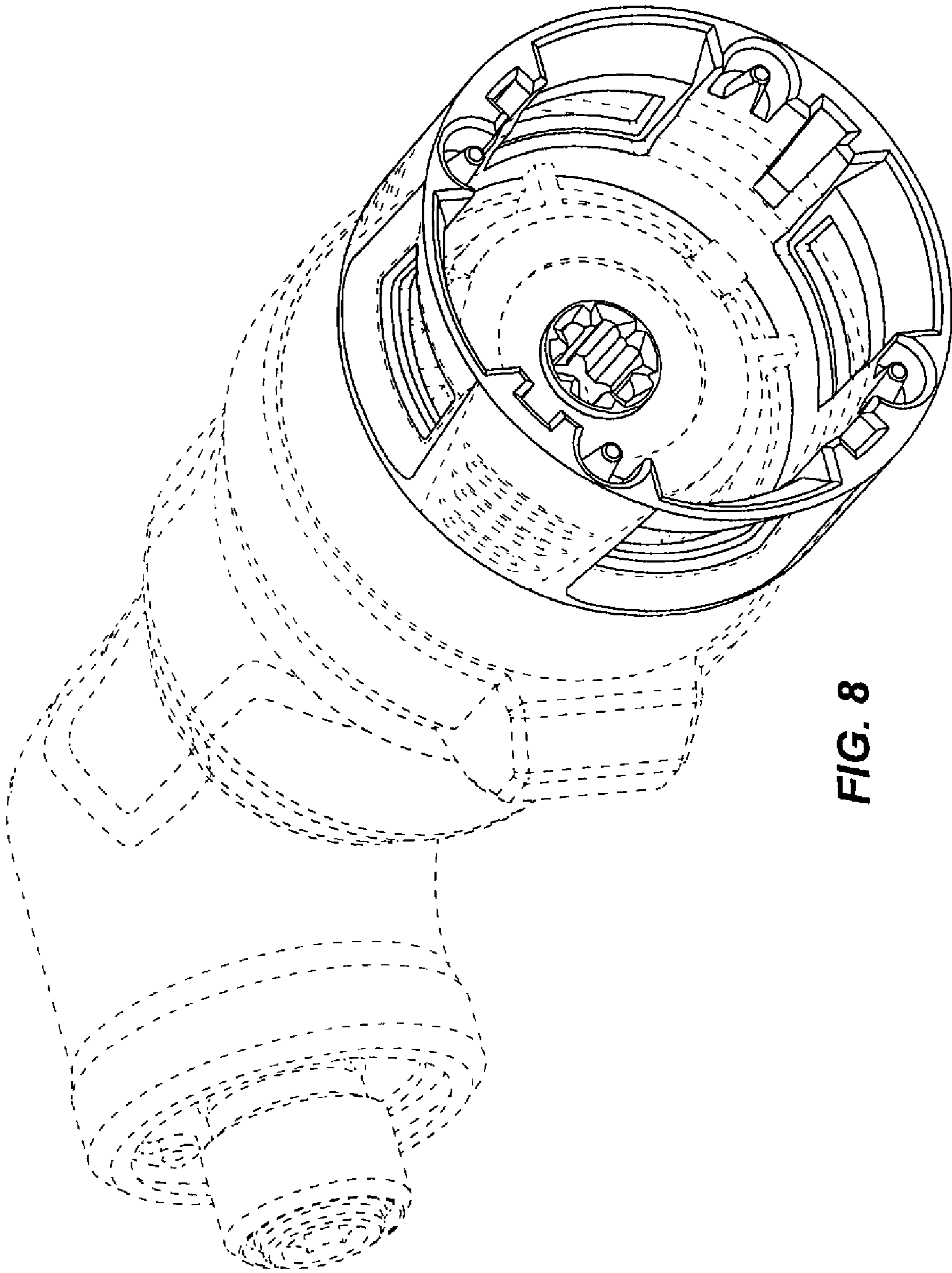


FIG. 8

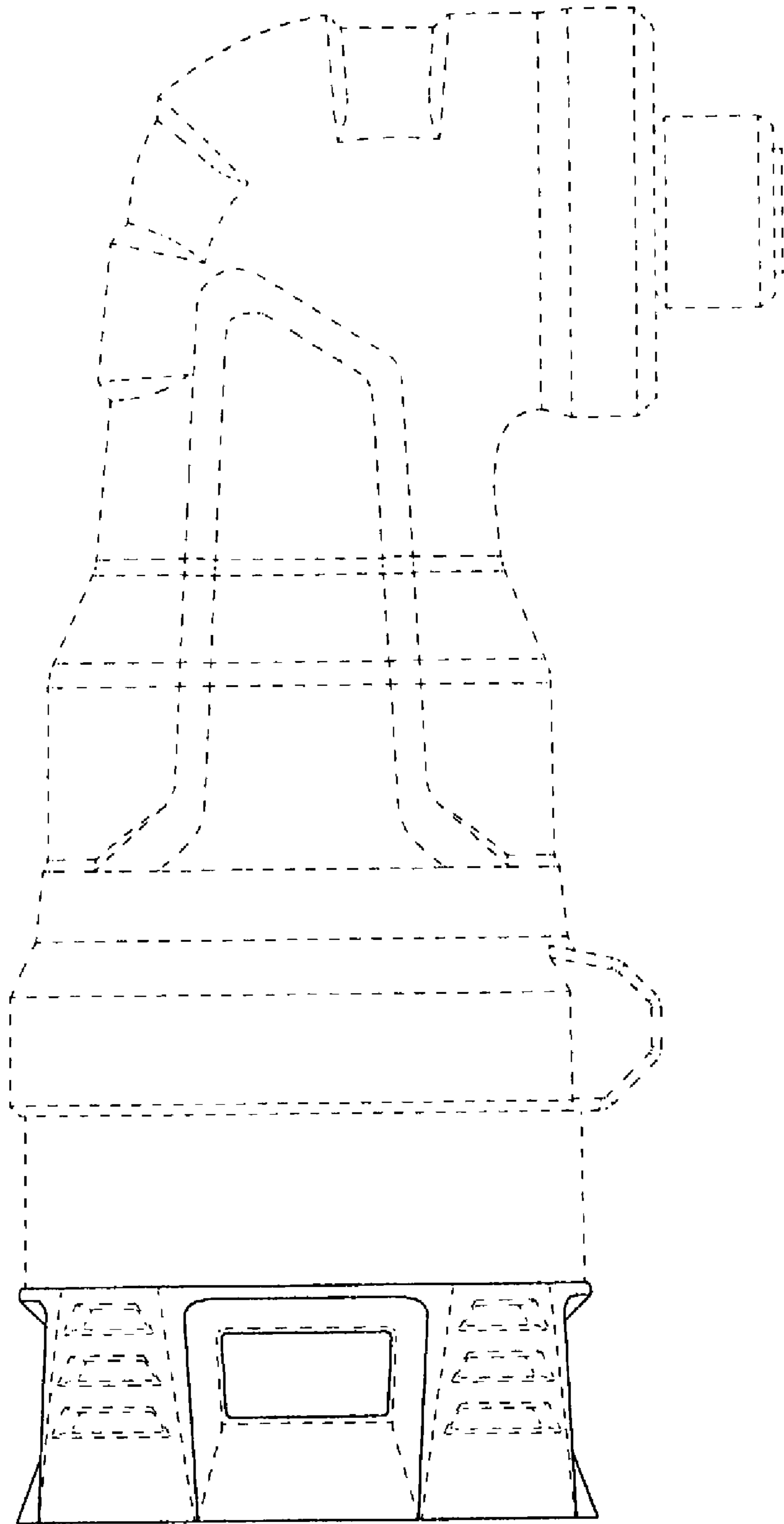


FIG. 9

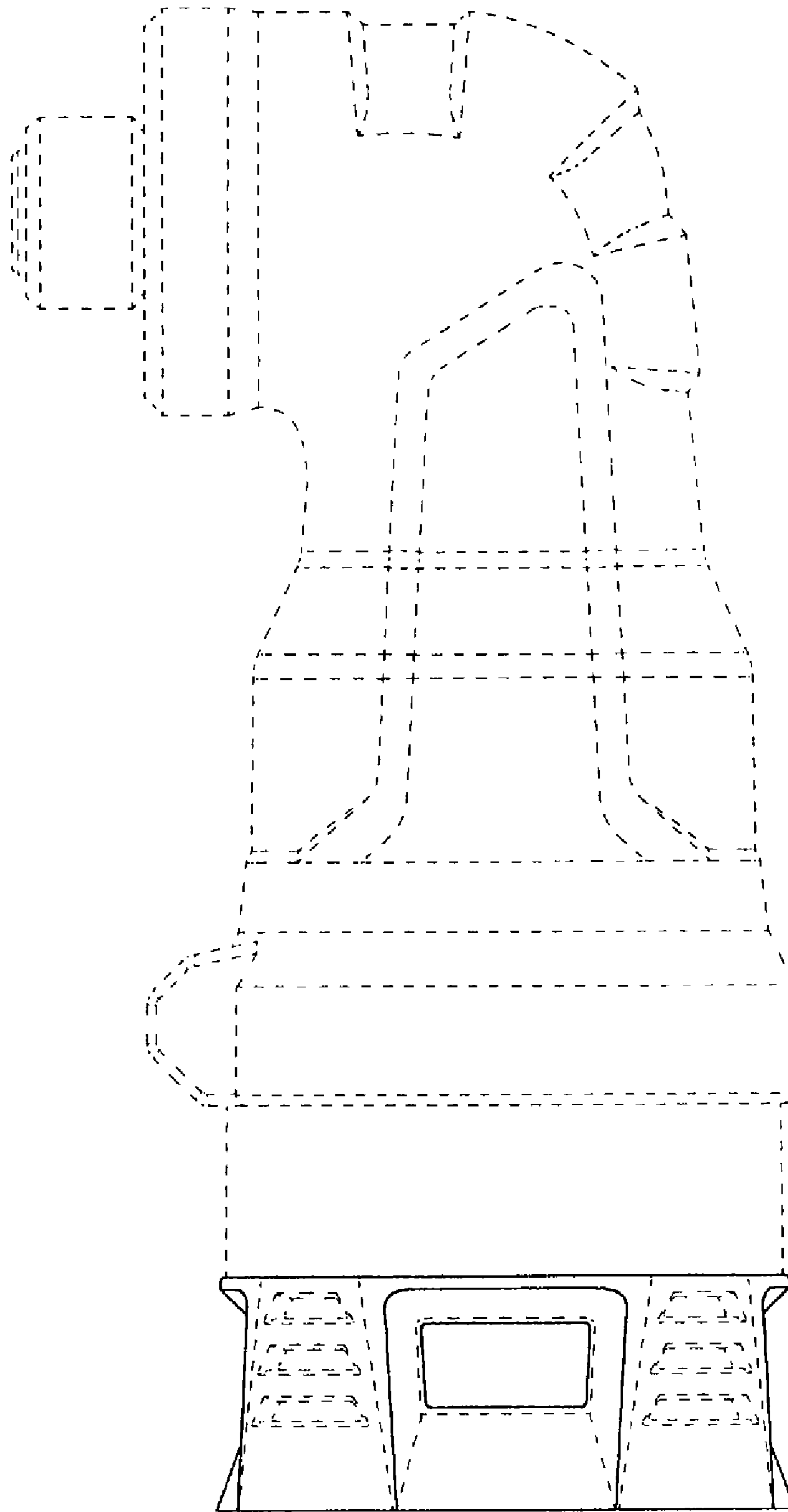


FIG. 10

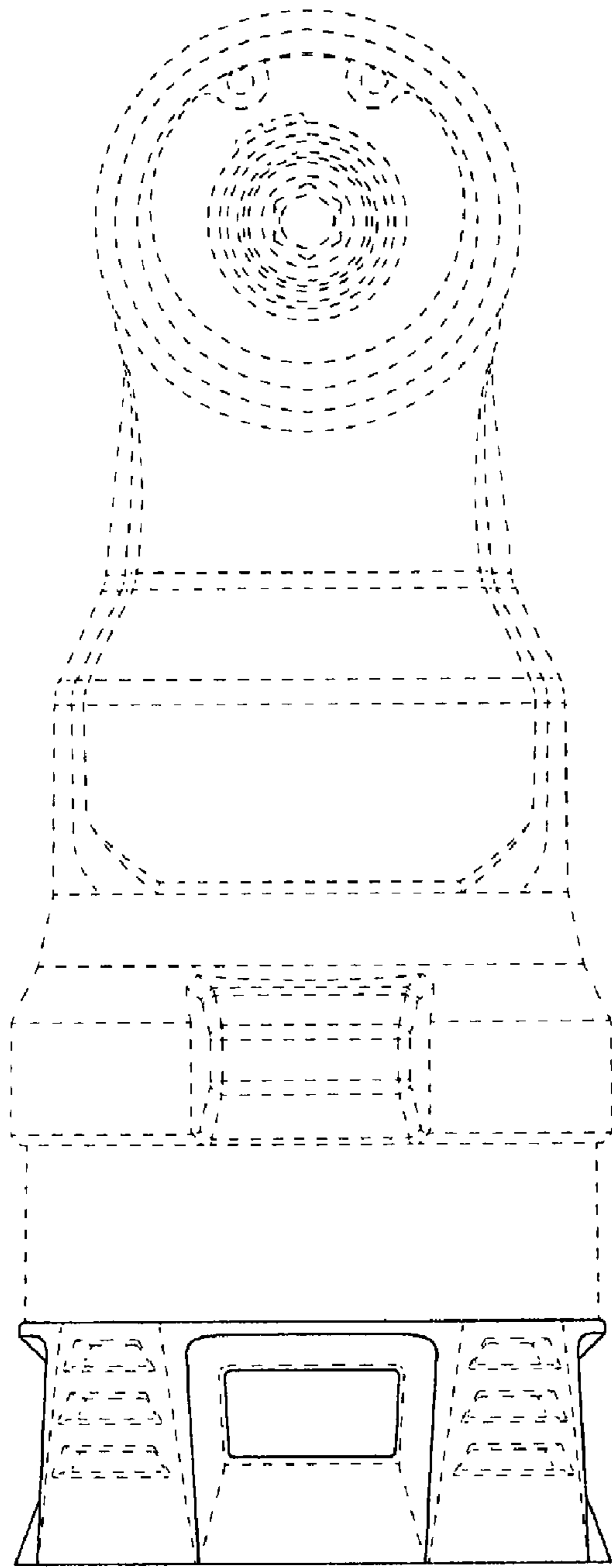


FIG. 11

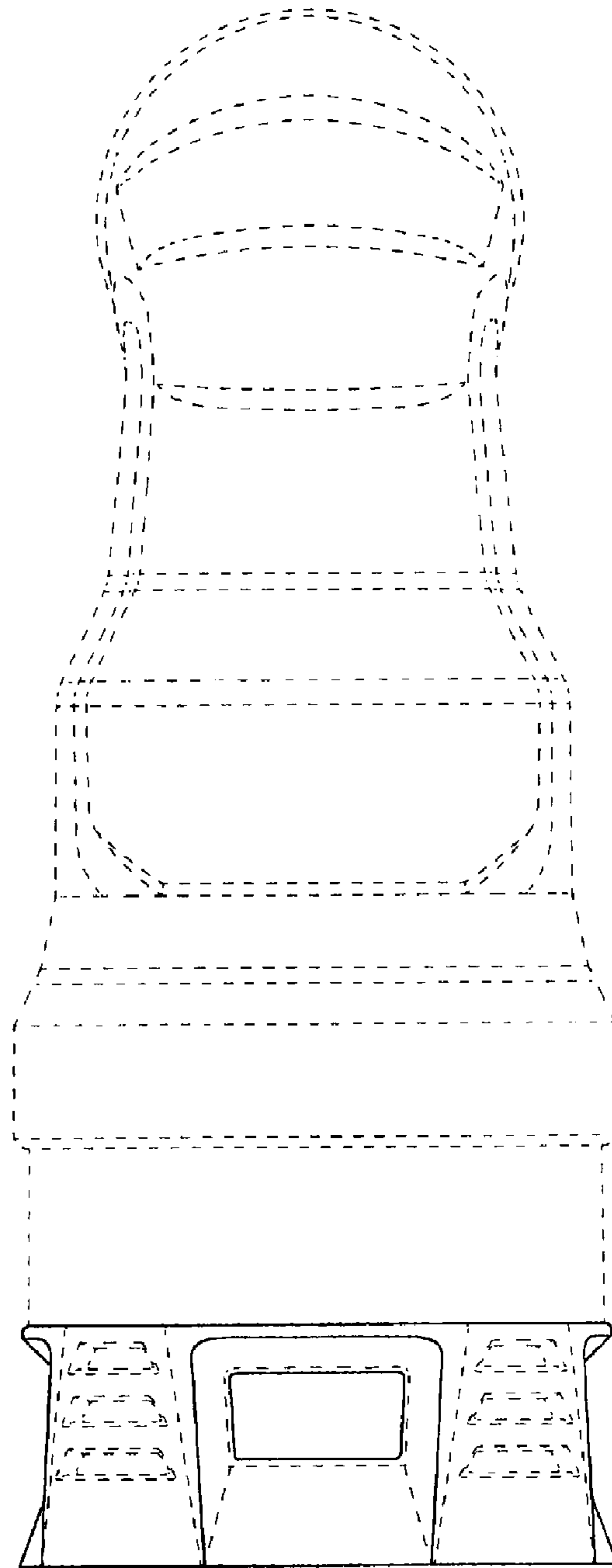


FIG. 12

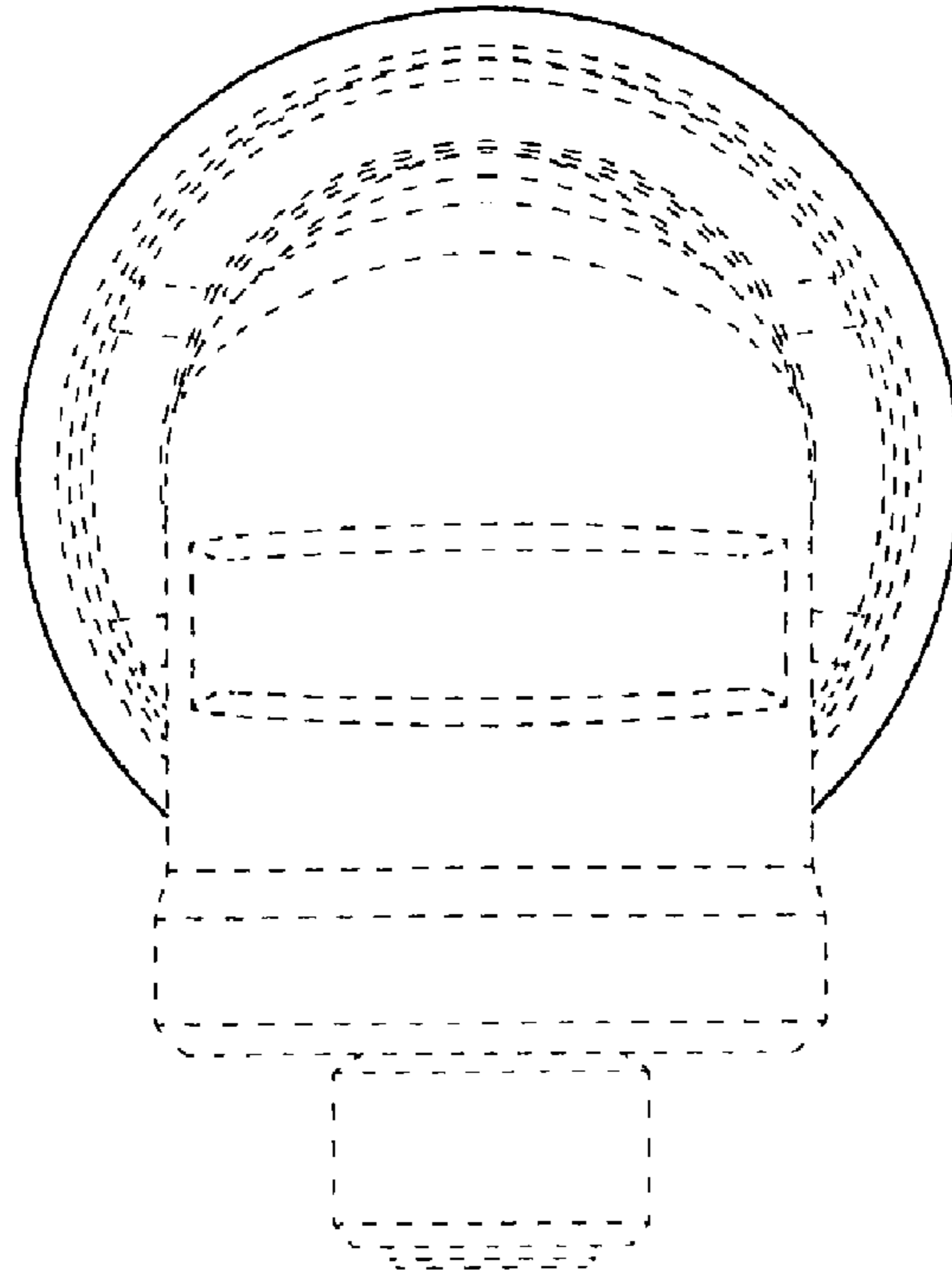


FIG. 13

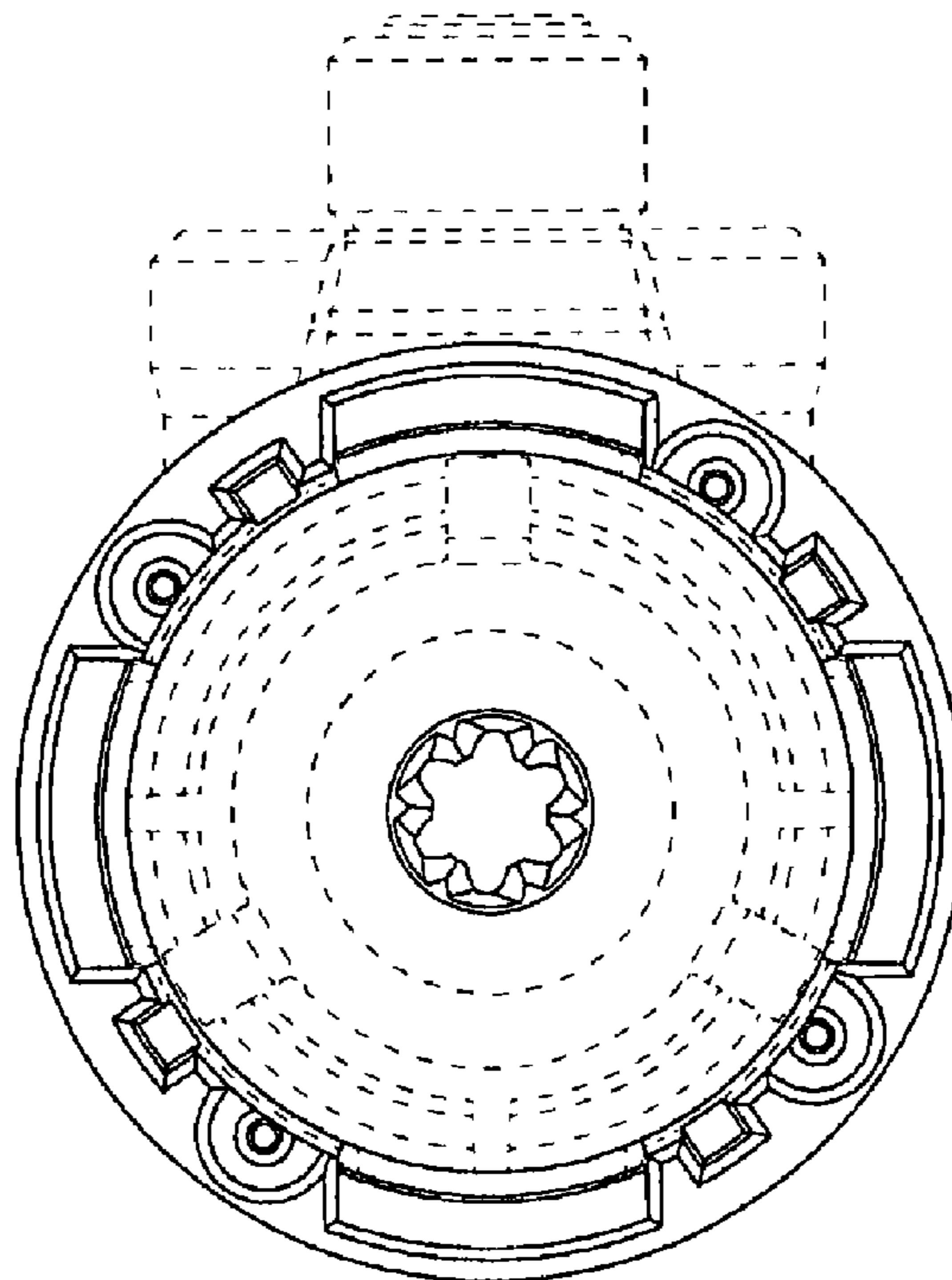


FIG. 14

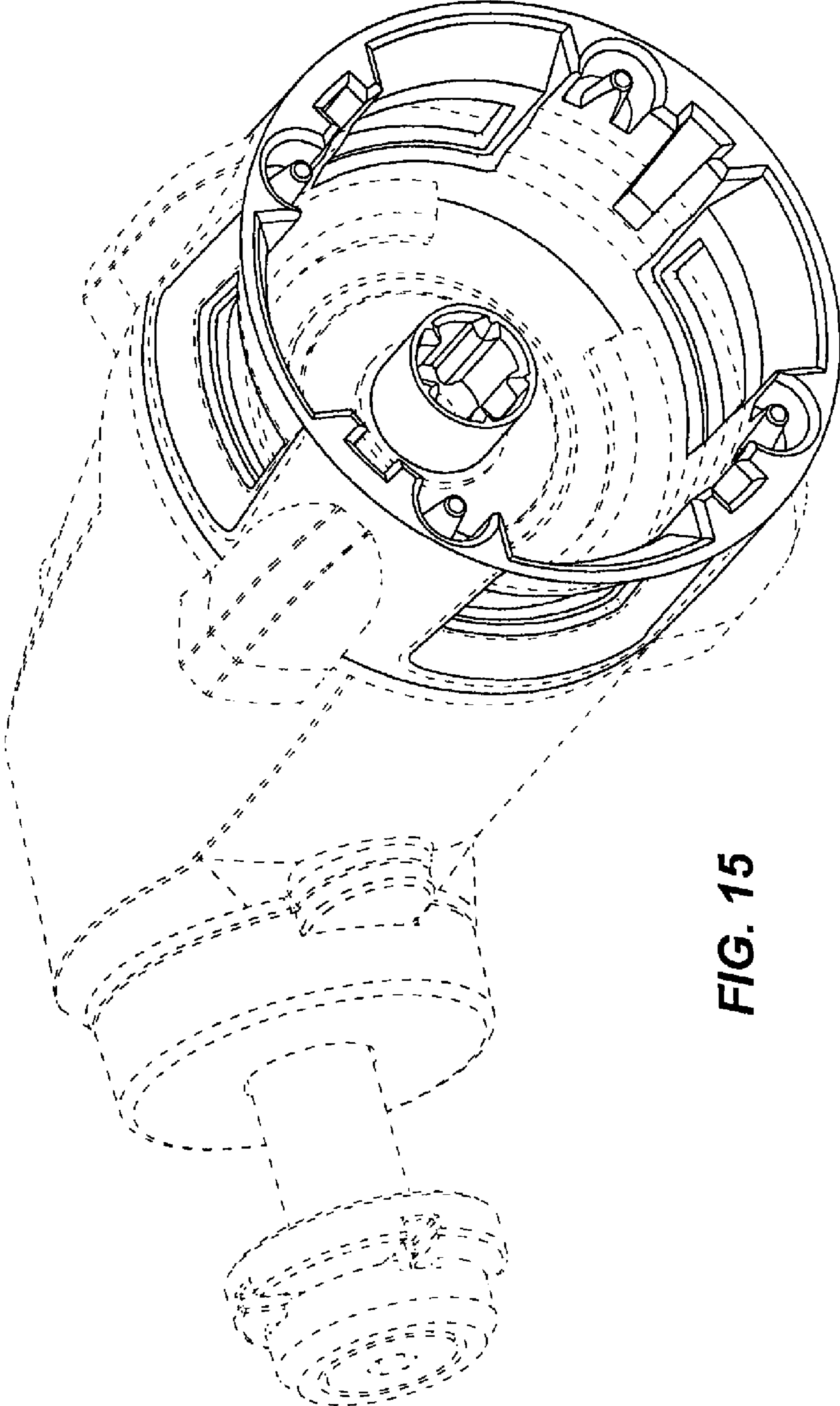


FIG. 15

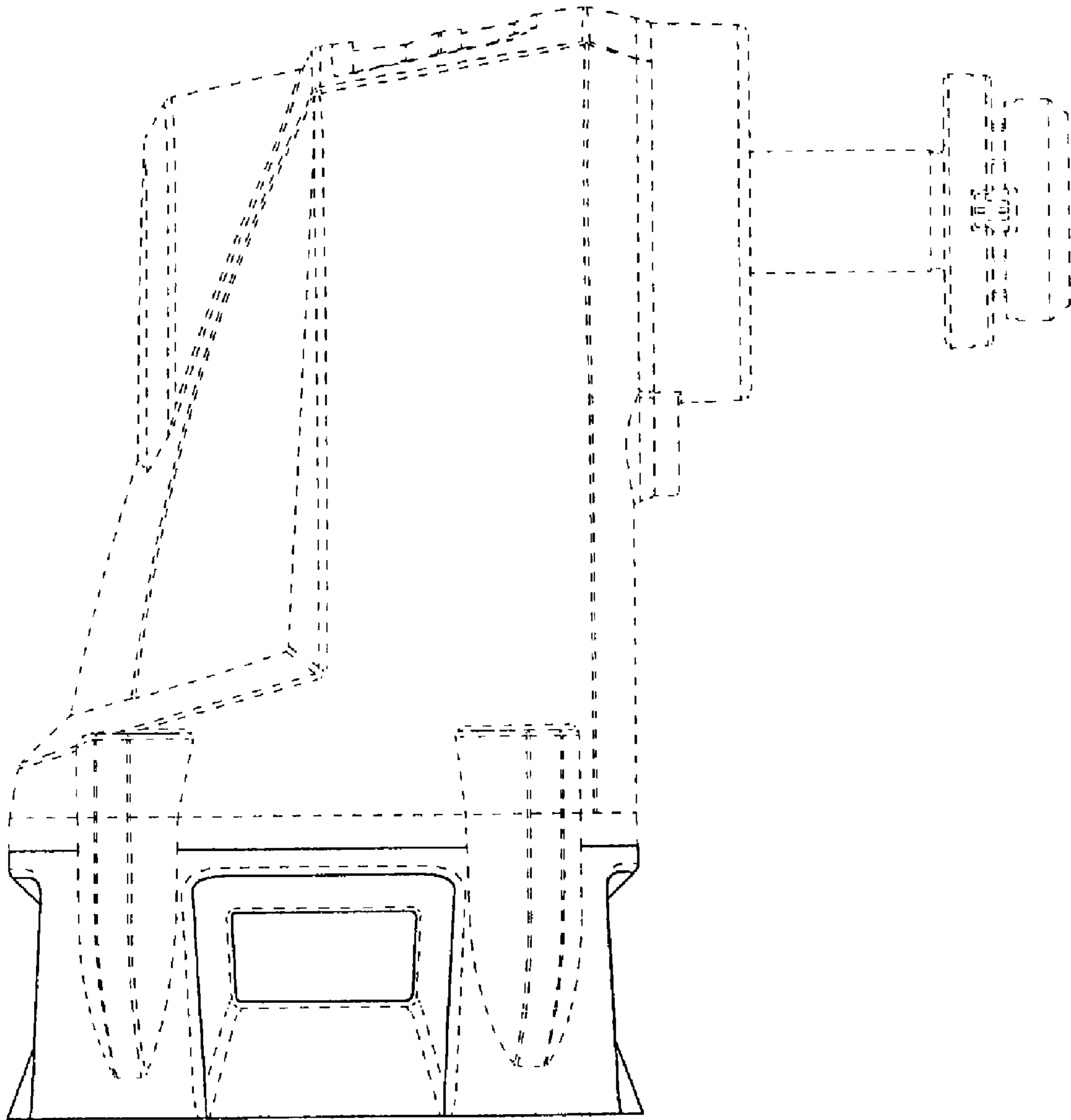


FIG. 16

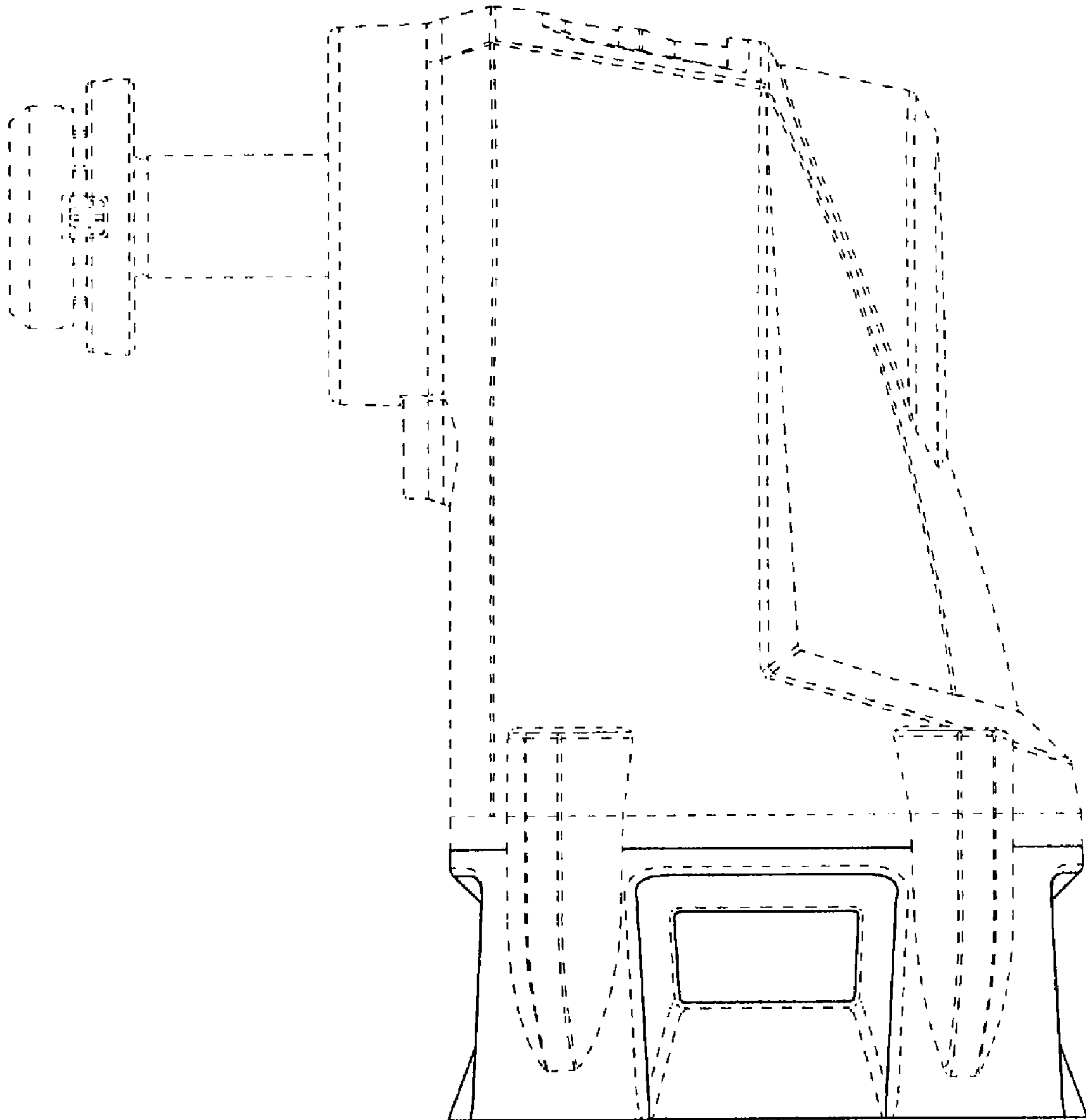


FIG. 17

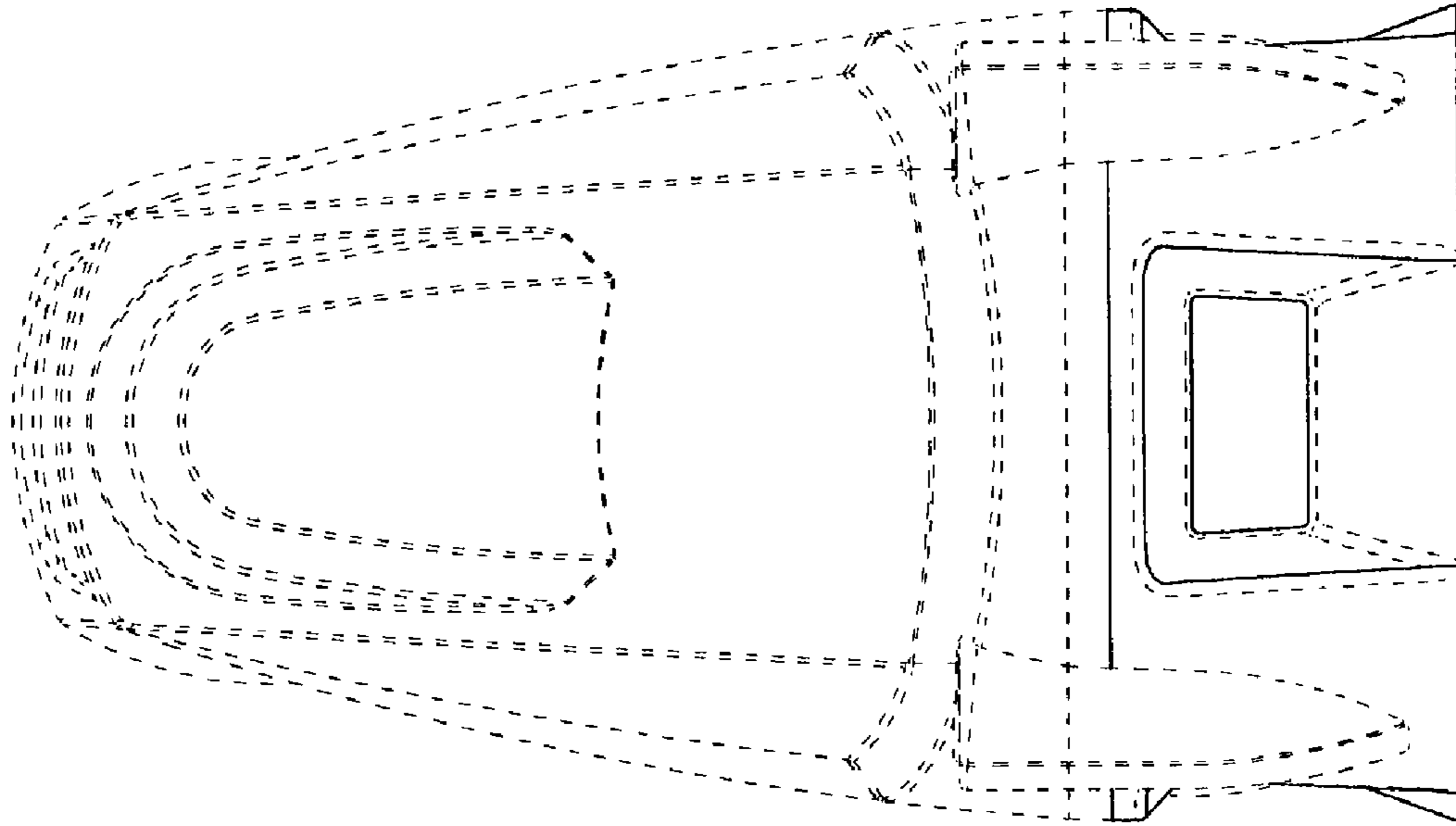


FIG. 19

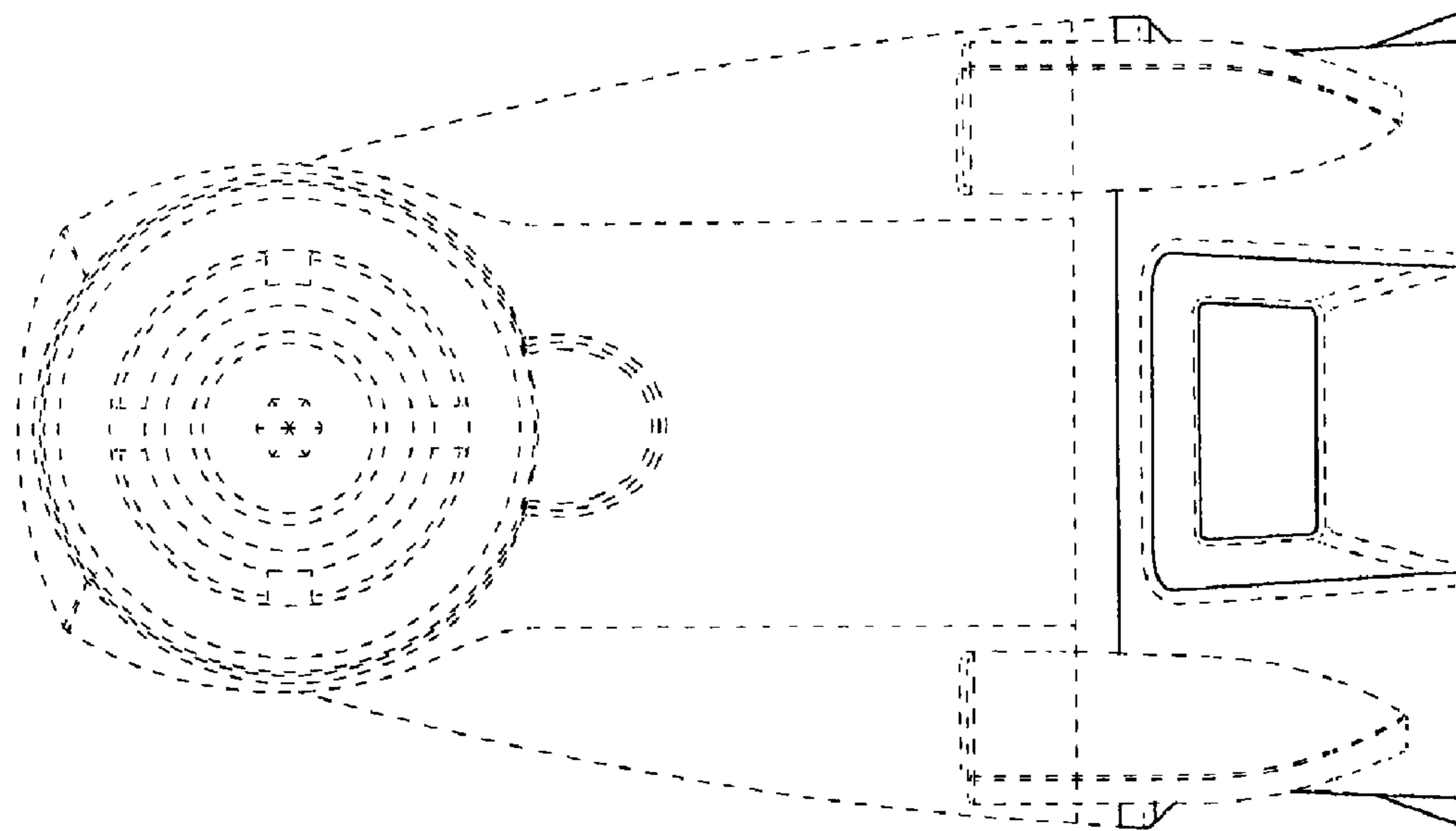


FIG. 18

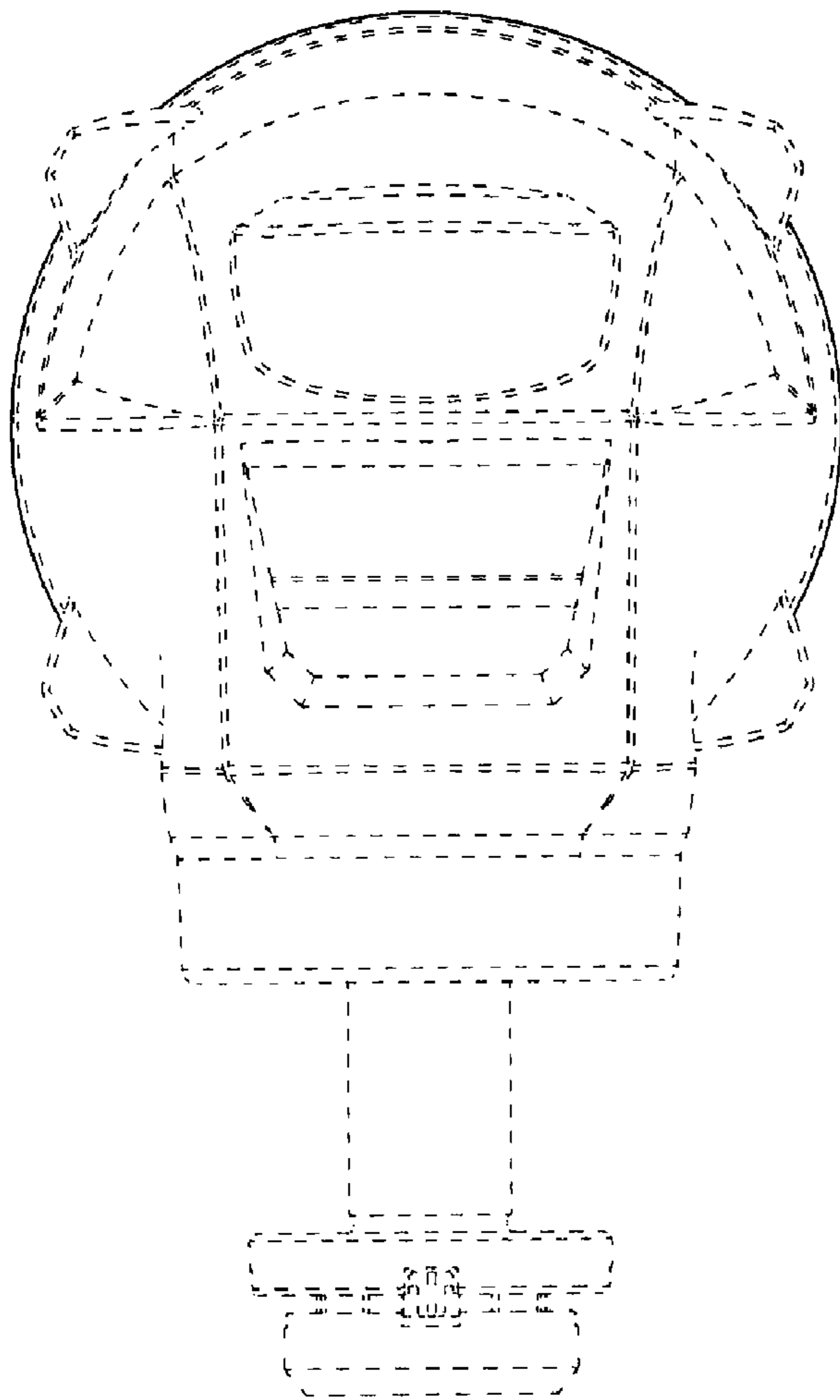


FIG. 20

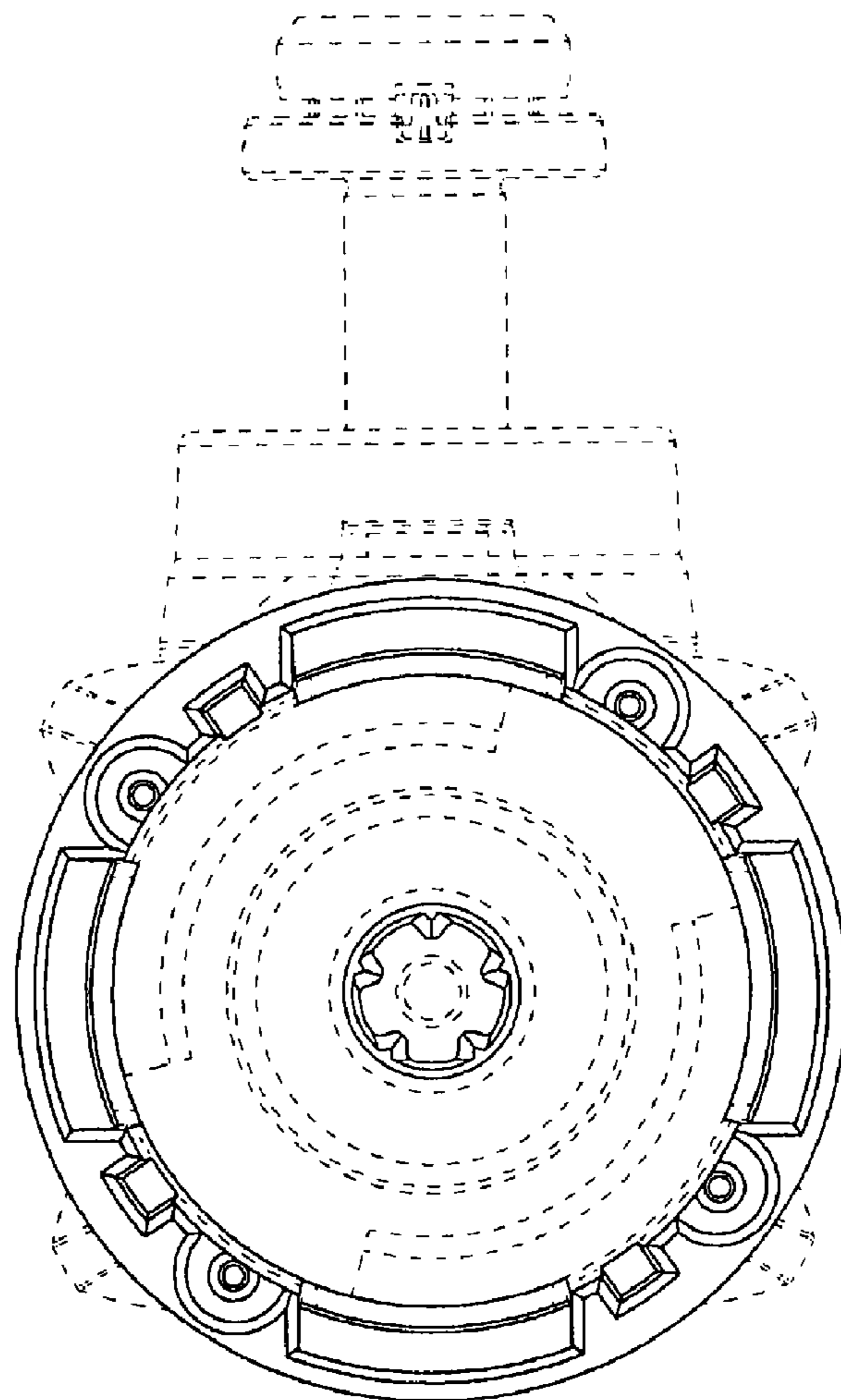


FIG. 21

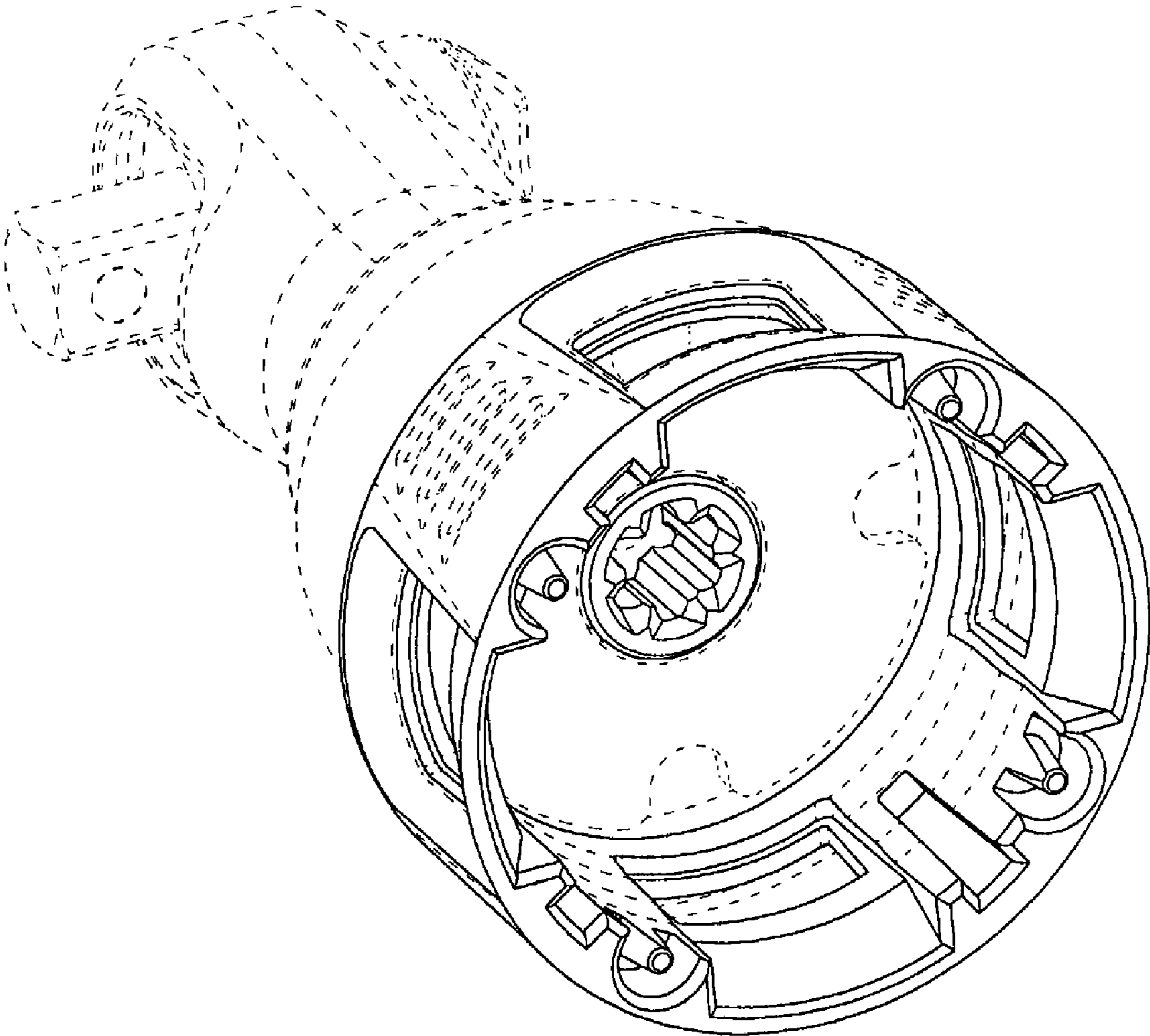


FIG. 22

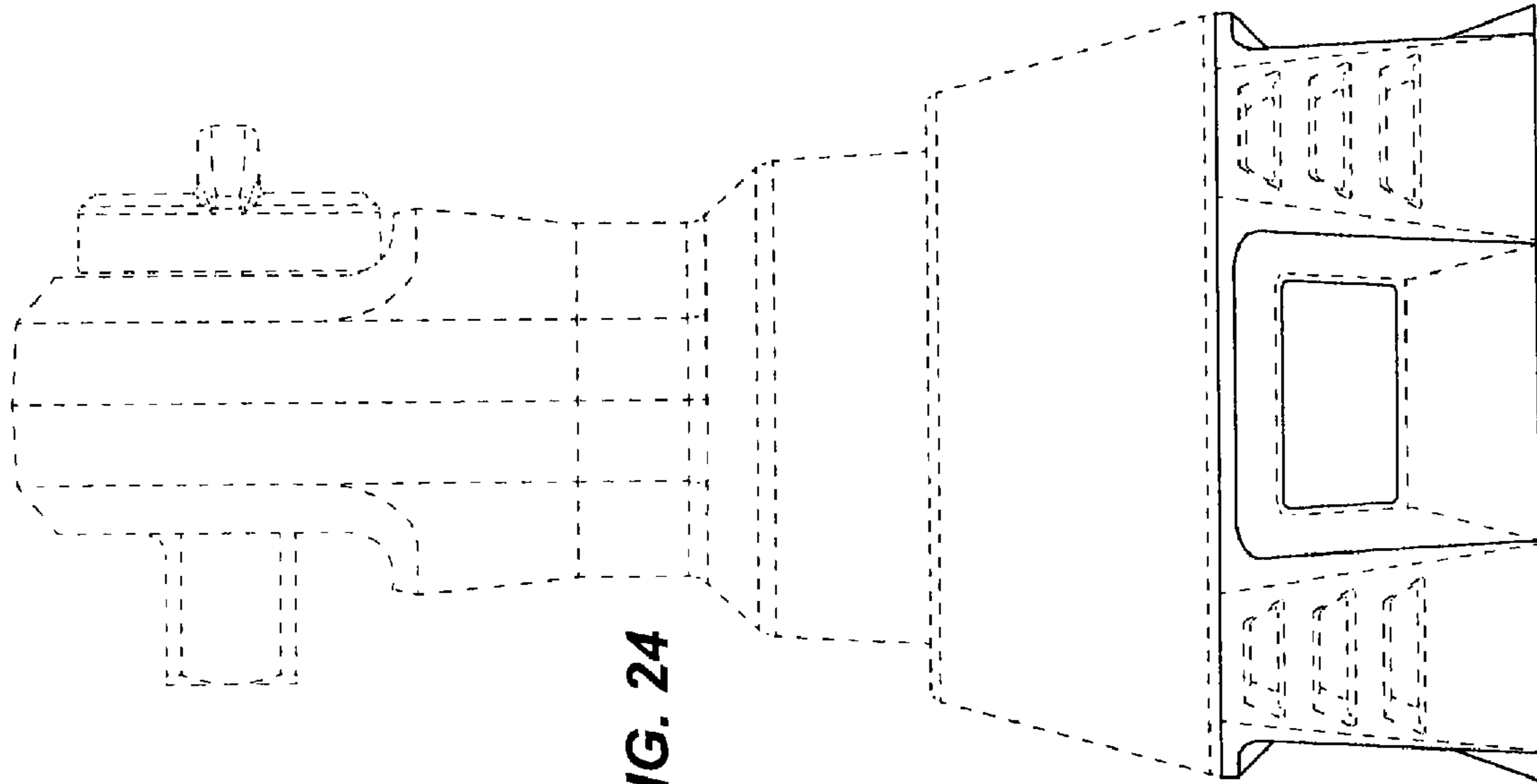


FIG. 24

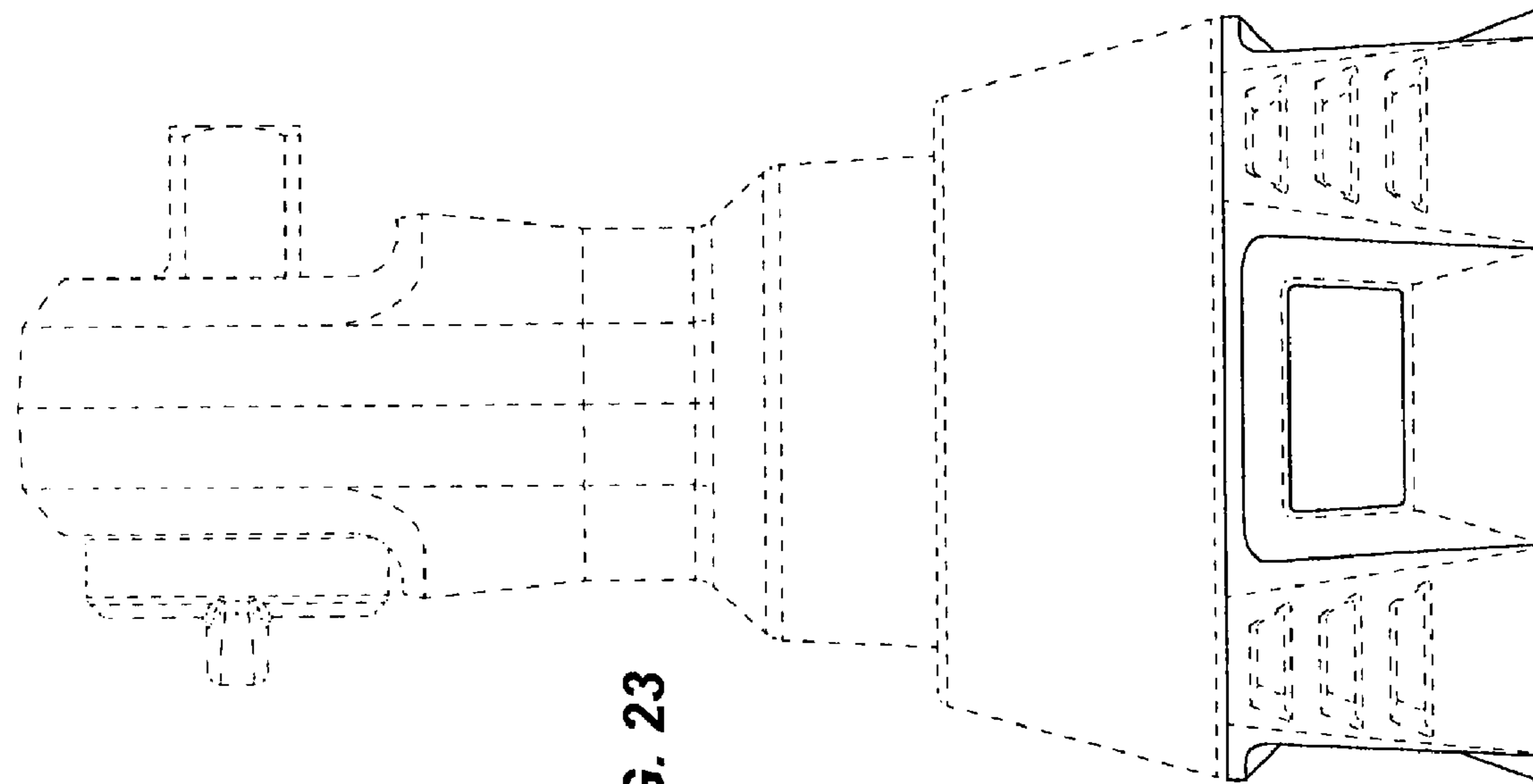


FIG. 23

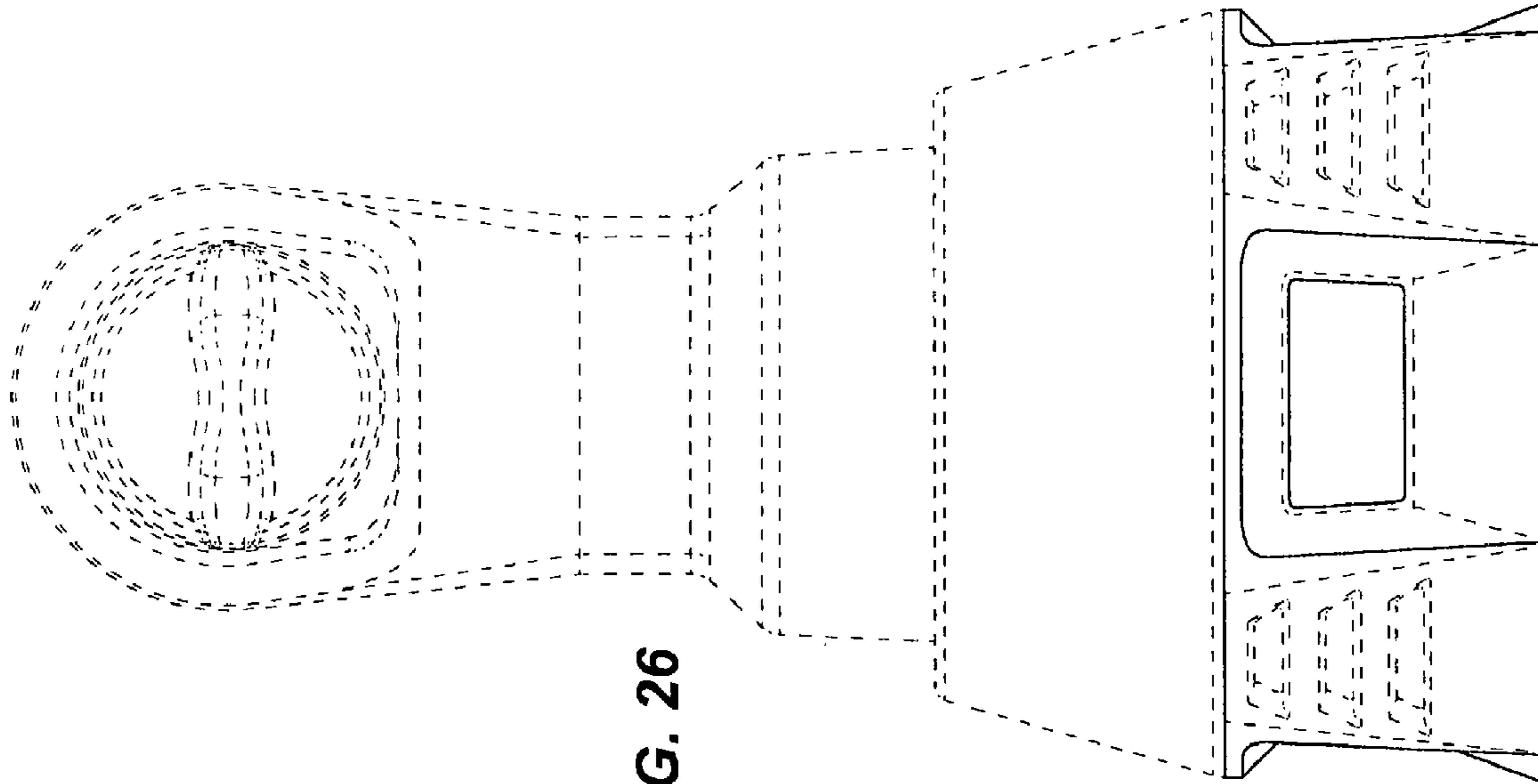


FIG. 26

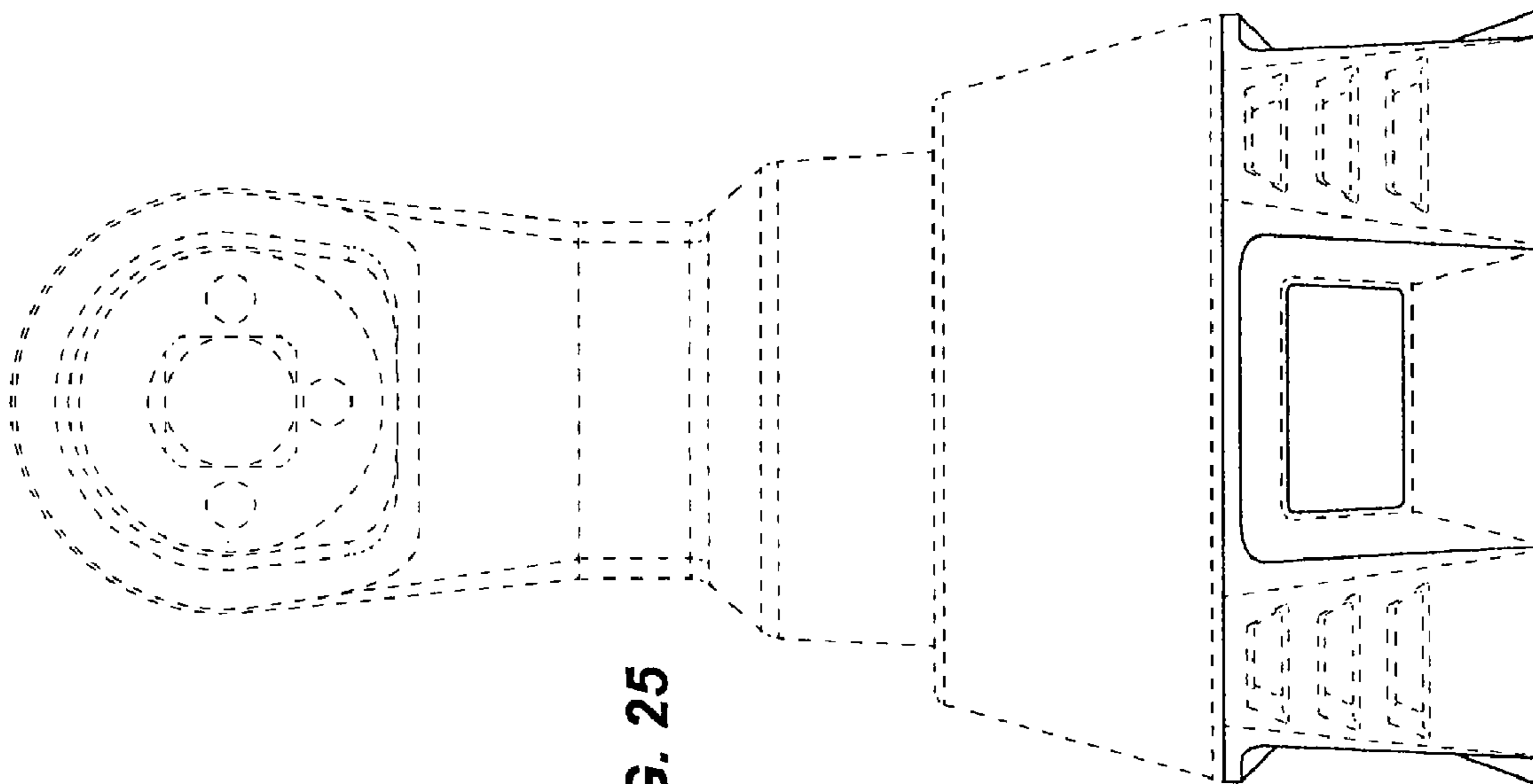


FIG. 25

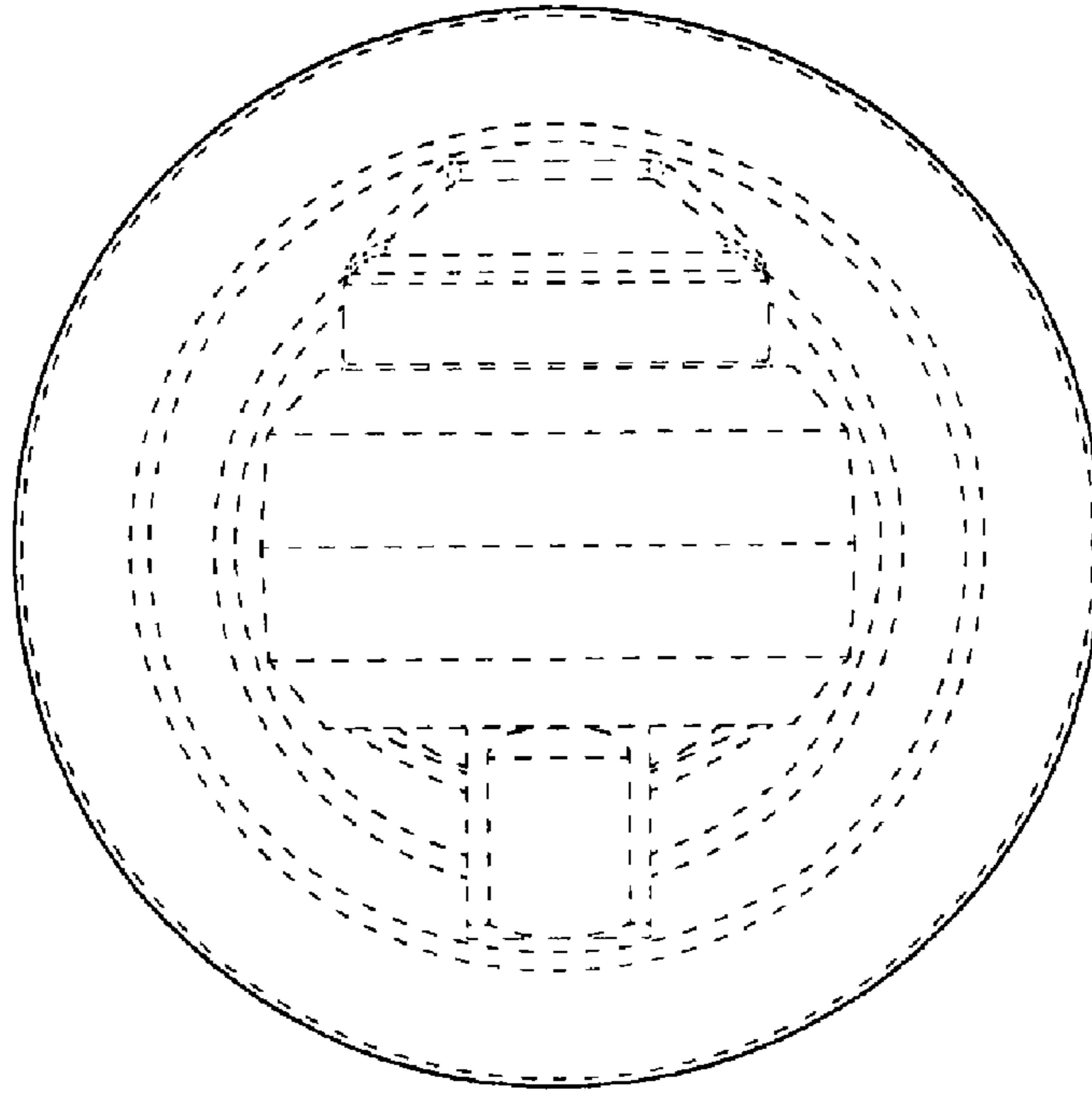


FIG. 27

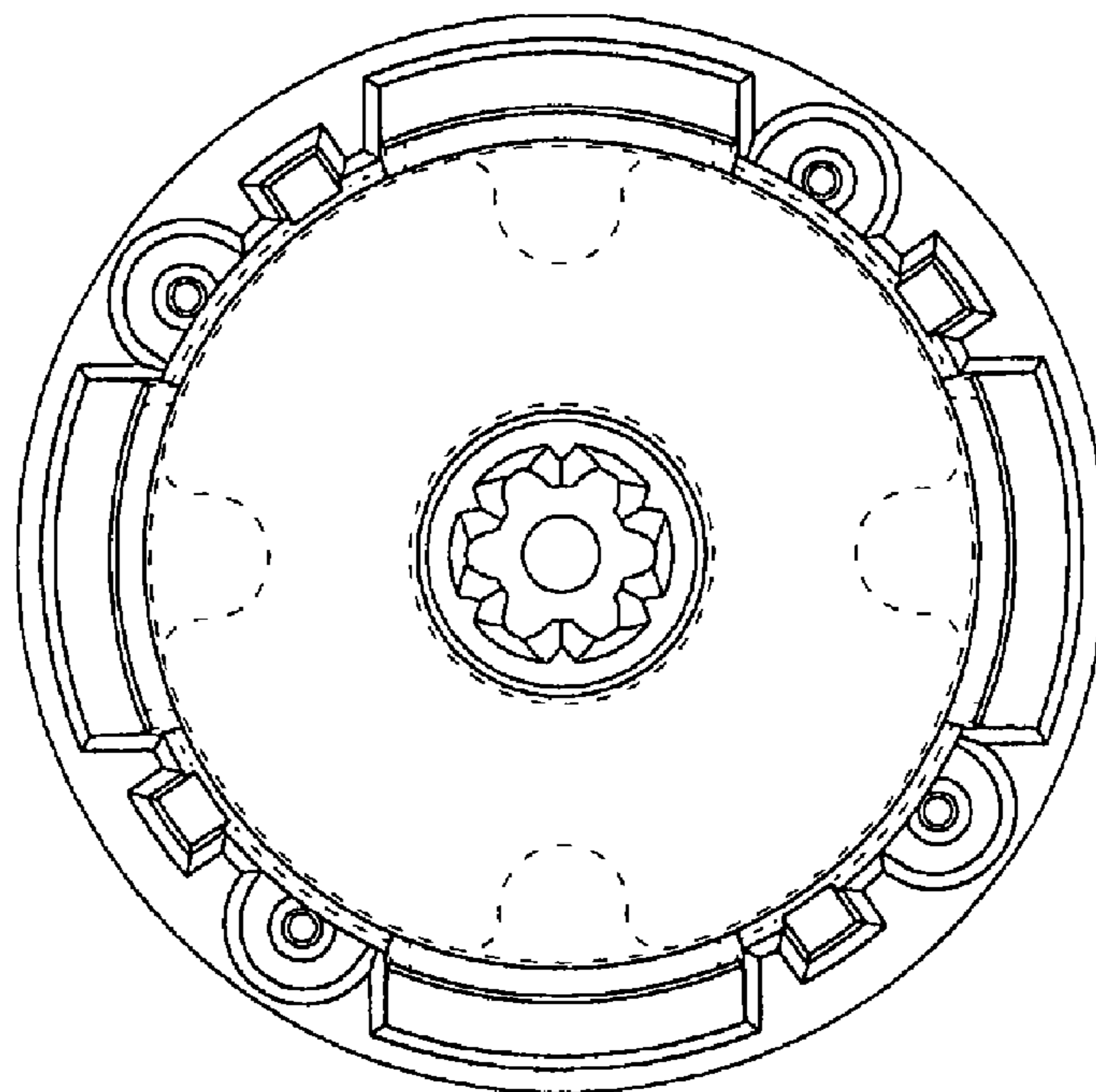


FIG. 28