



US00D626383S

(12) **United States Design Patent**  
**Kulkey**

(10) **Patent No.:** **US D626,383 S**

(45) **Date of Patent:** **\*\* Nov. 2, 2010**

(54) **GRILL UTENSIL HOLDER**

7,281,469 B1 \* 10/2007 Barbour et al. .... 211/181.1

(76) Inventor: **Richard E. Kulkey**, 16683 Sycamore St.  
NW., Andover, MN (US) 55304

\* cited by examiner

*Primary Examiner*—Terry A Wallace

(74) *Attorney, Agent, or Firm*—Dicke, Billig & Czaja, PLLC

(\*\*) Term: **14 Years**

(21) Appl. No.: **29/360,055**

(57) **CLAIM**

(22) Filed: **Apr. 20, 2010**

The ornamental design for a grill utensil holder, as shown and described herein.

(51) **LOC (9) Cl.** ..... **07-06**

(52) **U.S. Cl.** ..... **D7/637**

(58) **Field of Classification Search** ..... D7/601,  
D7/600.1–600.4, 701–708, 619.1, 637–641;  
D19/77, 65, 75, 85; D6/457, 476; 211/69.1–69.9,  
211/70.6, 70.7, 71.01, 41.2, 41.3, 41.7, 181.1,  
211/60.1; 248/37.3, 37.6, 176.1  
See application file for complete search history.

**DESCRIPTION**

FIG. 1 is a perspective view of a grill utensil holder;

FIG. 2 is a front view thereof;

FIG. 3 is a rear view thereof;

FIG. 4 is a right side view with the opposite left side view being an identical mirror image that is omitted;

FIG. 5 is a top view thereof; and,

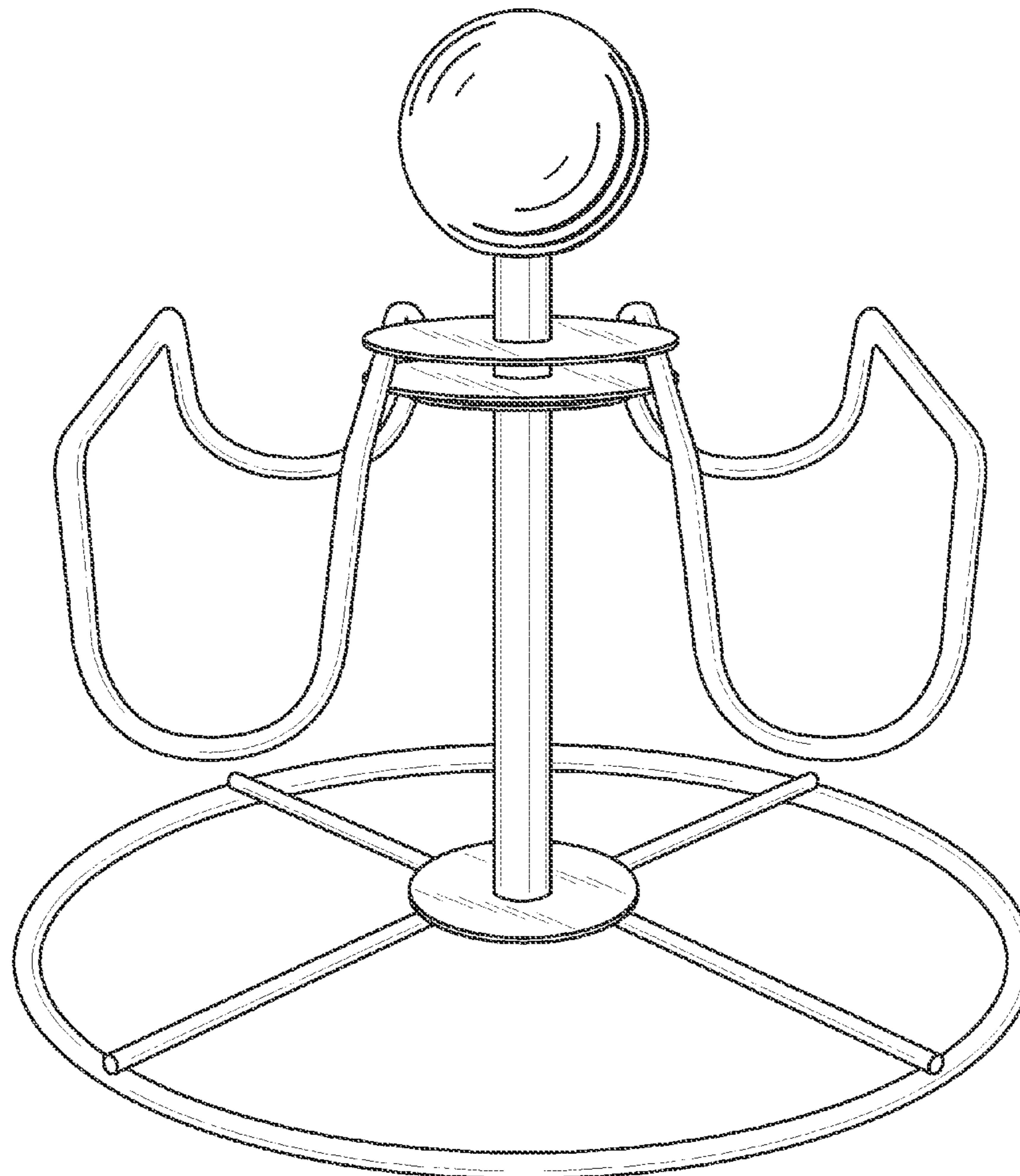
FIG. 6 is a bottom view thereof.

(56) **References Cited**

**U.S. PATENT DOCUMENTS**

3,532,225 A \* 10/1970 Reed ..... 211/181.1

**1 Claim, 6 Drawing Sheets**



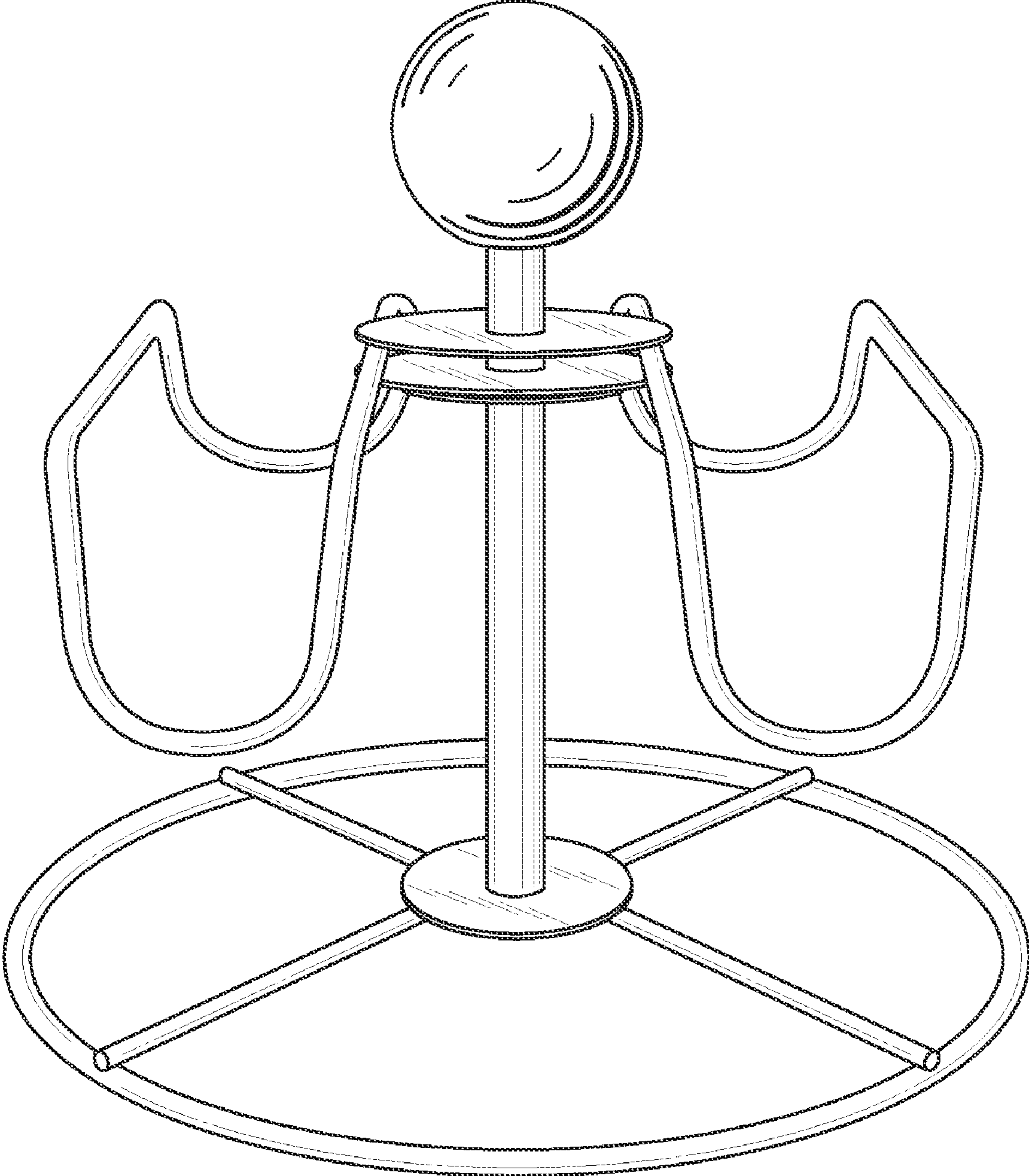


Fig. 1

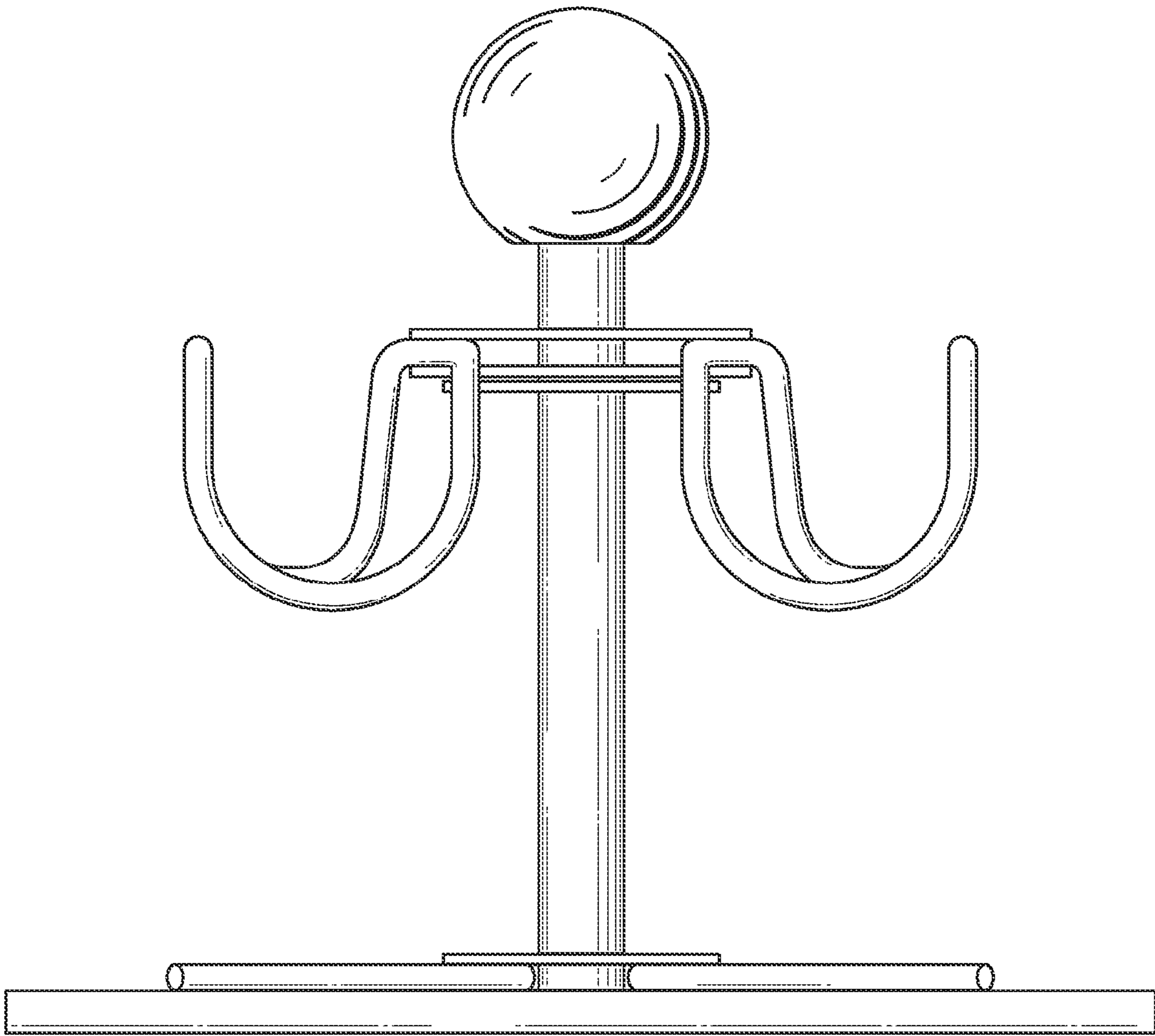


Fig. 2

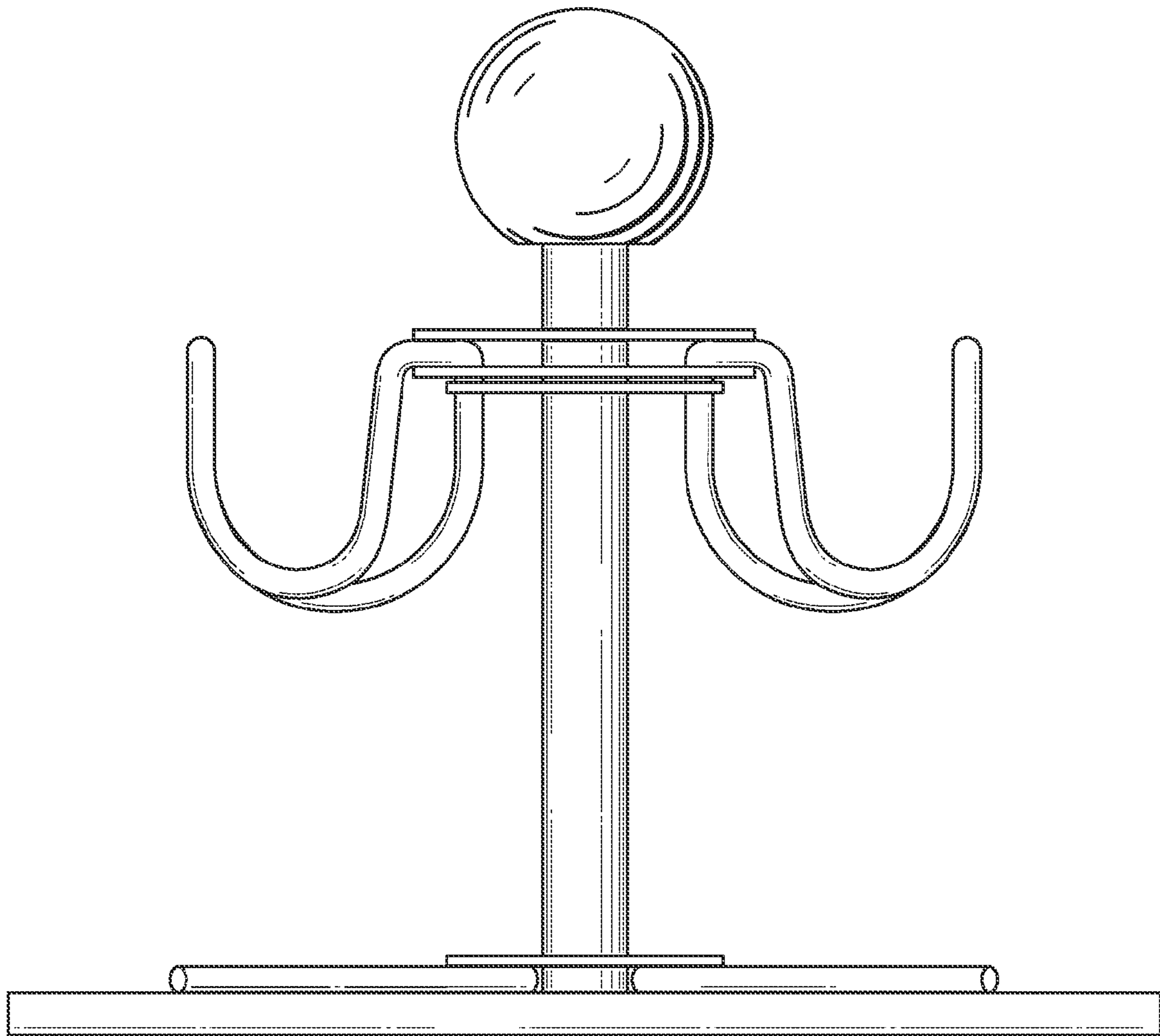


Fig. 3



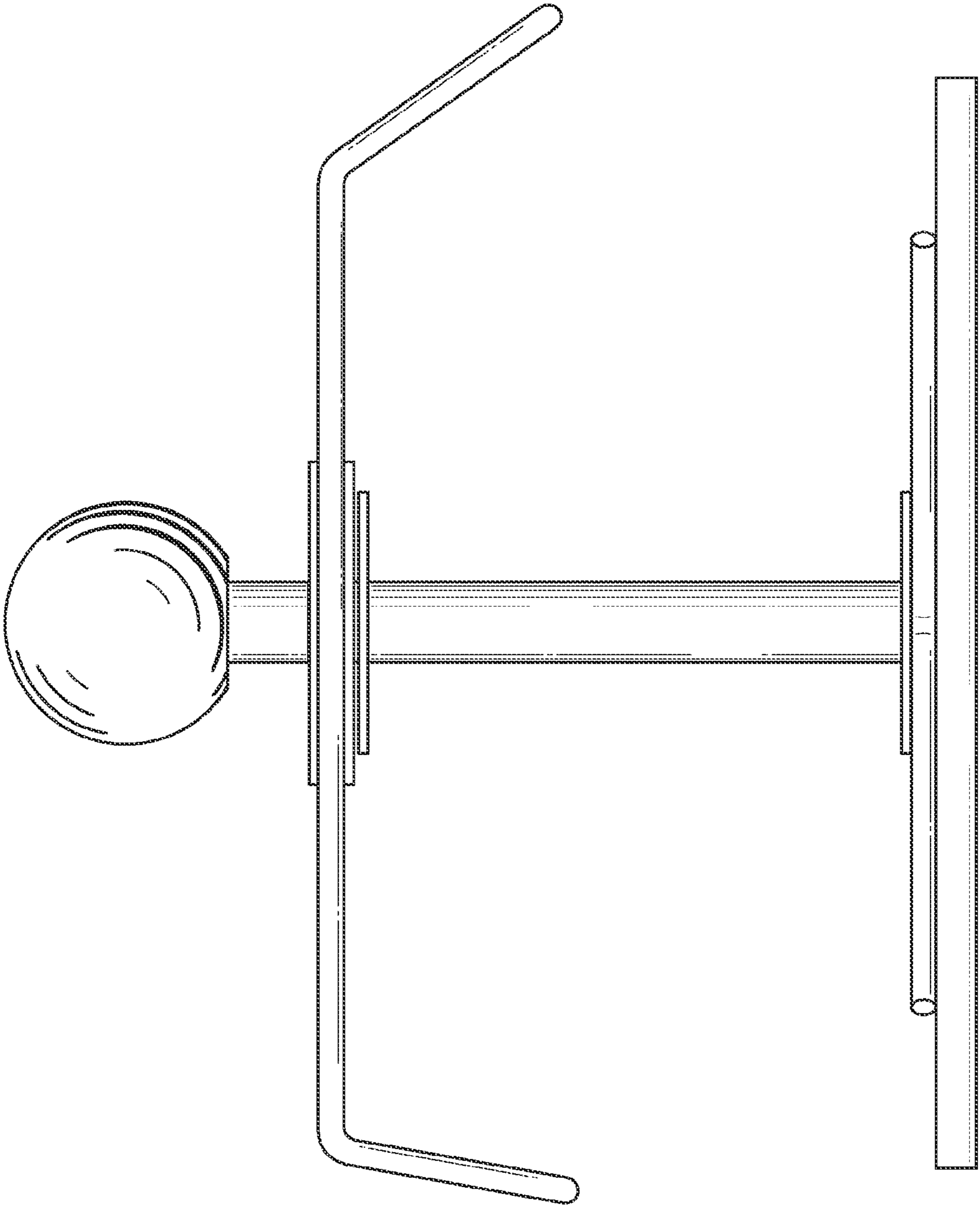


Fig. 4

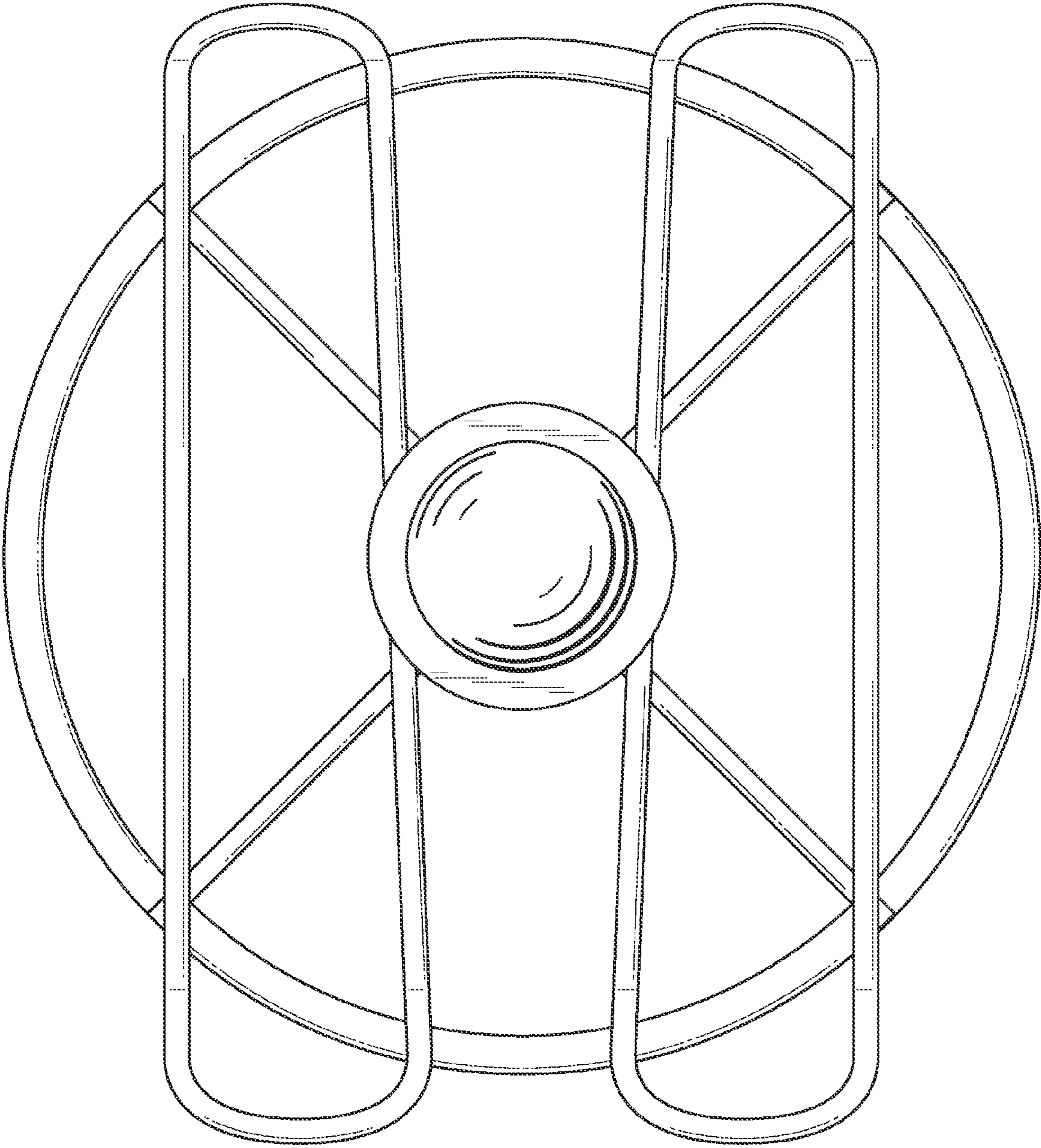


Fig. 5

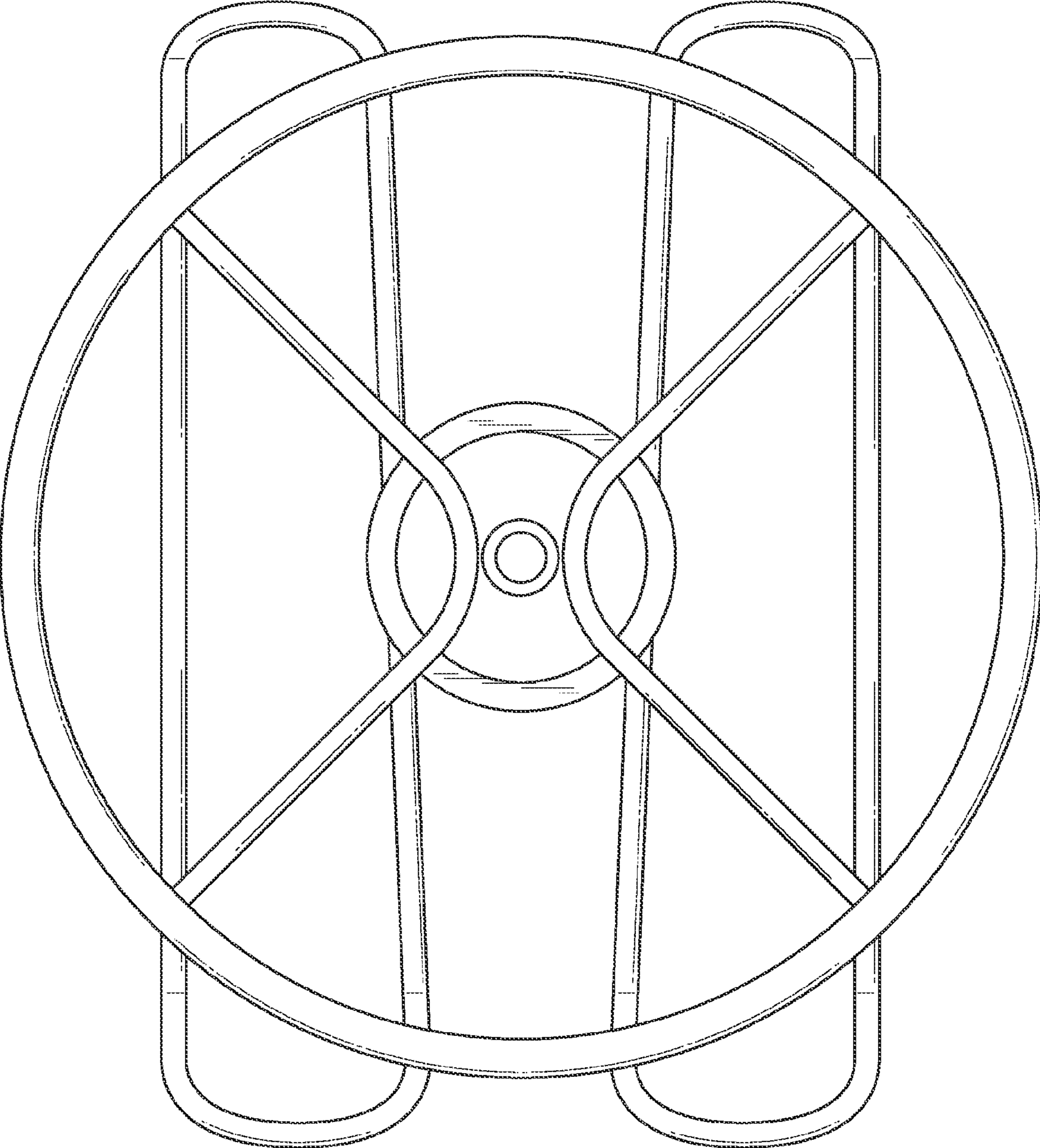


Fig. 6