



US00D626382S

(12) **United States Design Patent**  
**Tiemann**

(10) **Patent No.:** **US D626,382 S**  
(45) **Date of Patent:** **\*\* Nov. 2, 2010**

(54) **BEVERAGE CAROUSEL TREE FOR  
HOLDING BEVERAGE CARTRIDGES**

(75) Inventor: **Frank R. Tiemann**, Madison Lake, MN  
(US)

(73) Assignee: **Nifty Home Products, Inc.**, Madison  
Lake, MN (US)

(\*\*) Term: **14 Years**

(21) Appl. No.: **29/362,813**

(22) Filed: **Jun. 1, 2010**

(51) **LOC (9) Cl.** ..... **07-06**

(52) **U.S. Cl.** ..... **D7/600.2**

(58) **Field of Classification Search** ..... D7/590,  
D7/600.1-600.4, 701-708; D6/464, 449,  
D6/458, 466, 512, 534, 457, 552, 469, 468,  
D6/467, 462; 211/70.1, 74, 75, 77, 78, 60.1,  
211/85.31

See application file for complete search history.

(56) **References Cited**

**U.S. PATENT DOCUMENTS**

2,140,743	A	*	12/1938	Heymann	.....	211/74
D369,950	S	*	5/1996	LaPointe	.....	D7/600.2
D403,212	S	*	12/1998	Doret, Jr.	.....	D7/600.2
D444,359	S	*	7/2001	Levy	.....	D7/704
D491,768	S	*	6/2004	Henry	.....	D7/600.4
D504,594	S	*	5/2005	Burnett et al.	.....	D7/600.2

D526,170	S	*	8/2006	Gugni	.....	D7/706
D536,936	S	*	2/2007	Tiemann	.....	D7/704
D544,308	S	*	6/2007	Tiemann	.....	D7/590
D586,185	S	*	2/2009	Tiemann	.....	D7/600.2
D609,057	S		2/2010	Hertaus		
D609,533	S		2/2010	Tiemann		
D617,124	S		6/2010	Snider		
D651,640			8/2010	Tiemann		
2007/0045206	A1		3/2007	Tiemann		

\* cited by examiner

*Primary Examiner*—Terry A Wallace

(74) *Attorney, Agent, or Firm*—Thomas J. Nikolai; Nikolai & Mersereau, P.A.

(57) **CLAIM**

The ornamental design for the “beverage carousel tree for holding beverage cartridges,” as shown and described.

**DESCRIPTION**

FIG. 1 is a perspective view of the beverage carousel tree for holding beverage cartridges;

FIG. 2 is a front view thereof;

FIG. 3 is a side view thereof;

FIG. 4 is a back view thereof;

FIG. 5 is a second side view thereof;

FIG. 6 is a top view thereof; and,

FIG. 7 is a bottom view thereof.

**1 Claim, 6 Drawing Sheets**

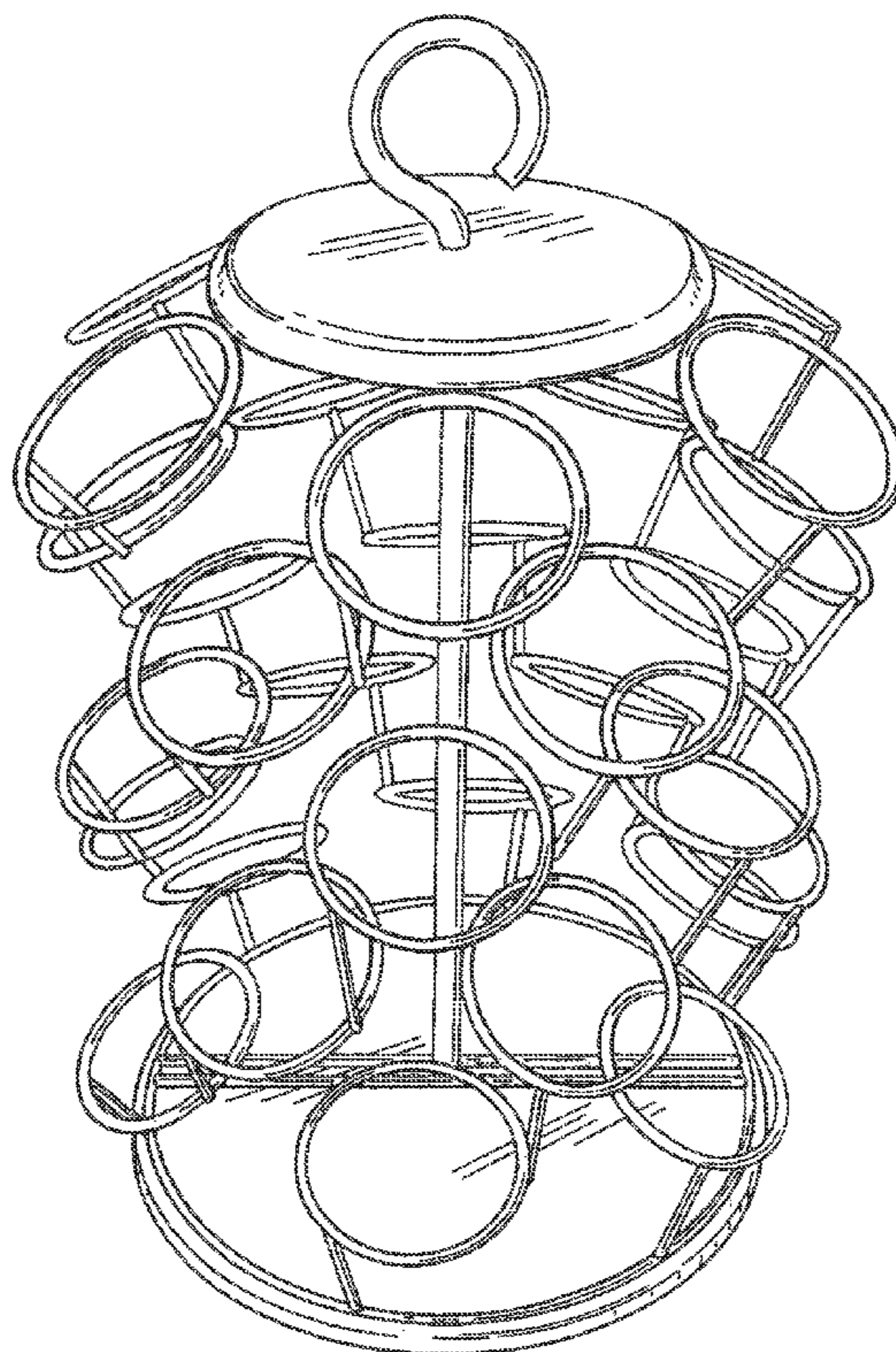


FIG. 1

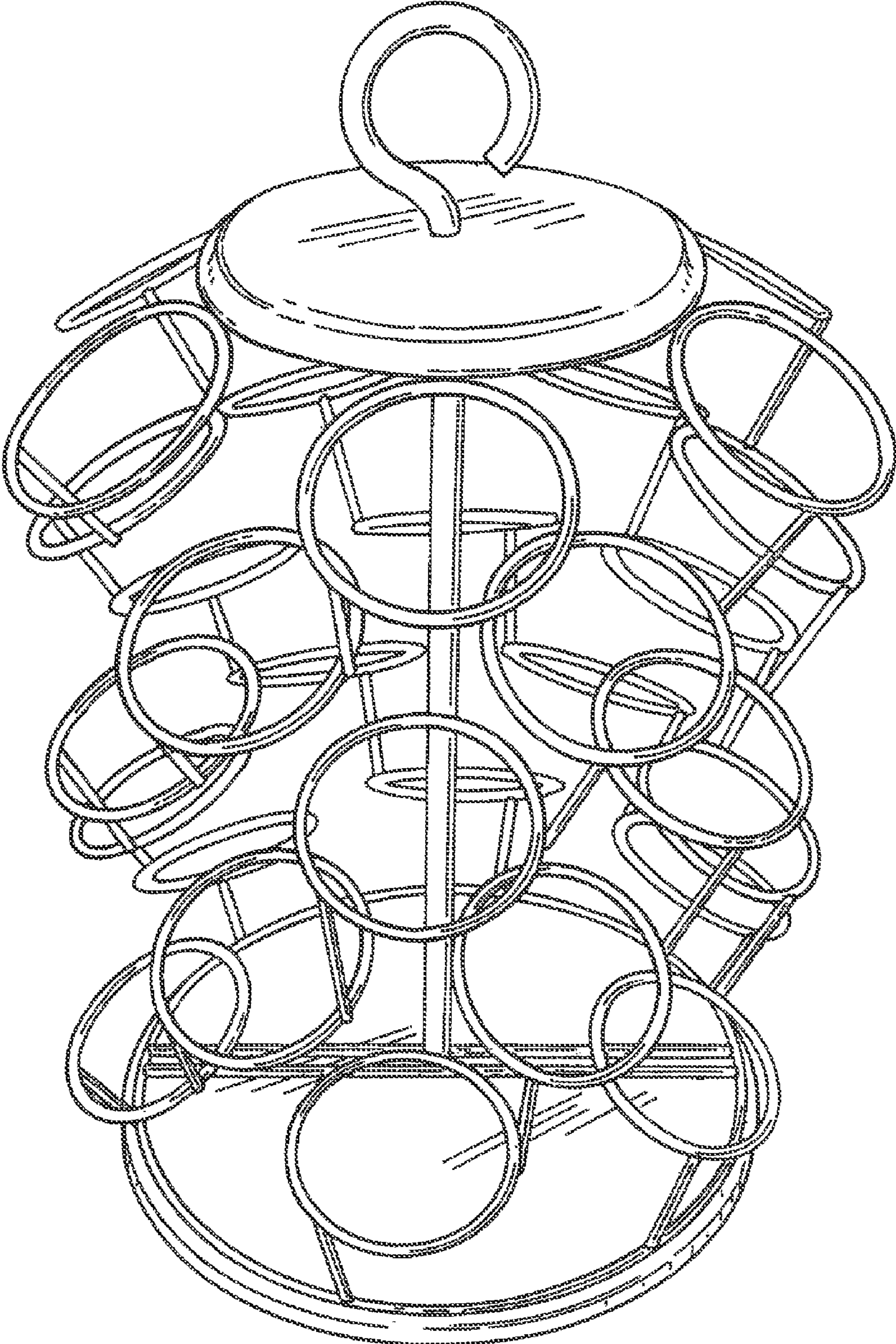




FIG. 2

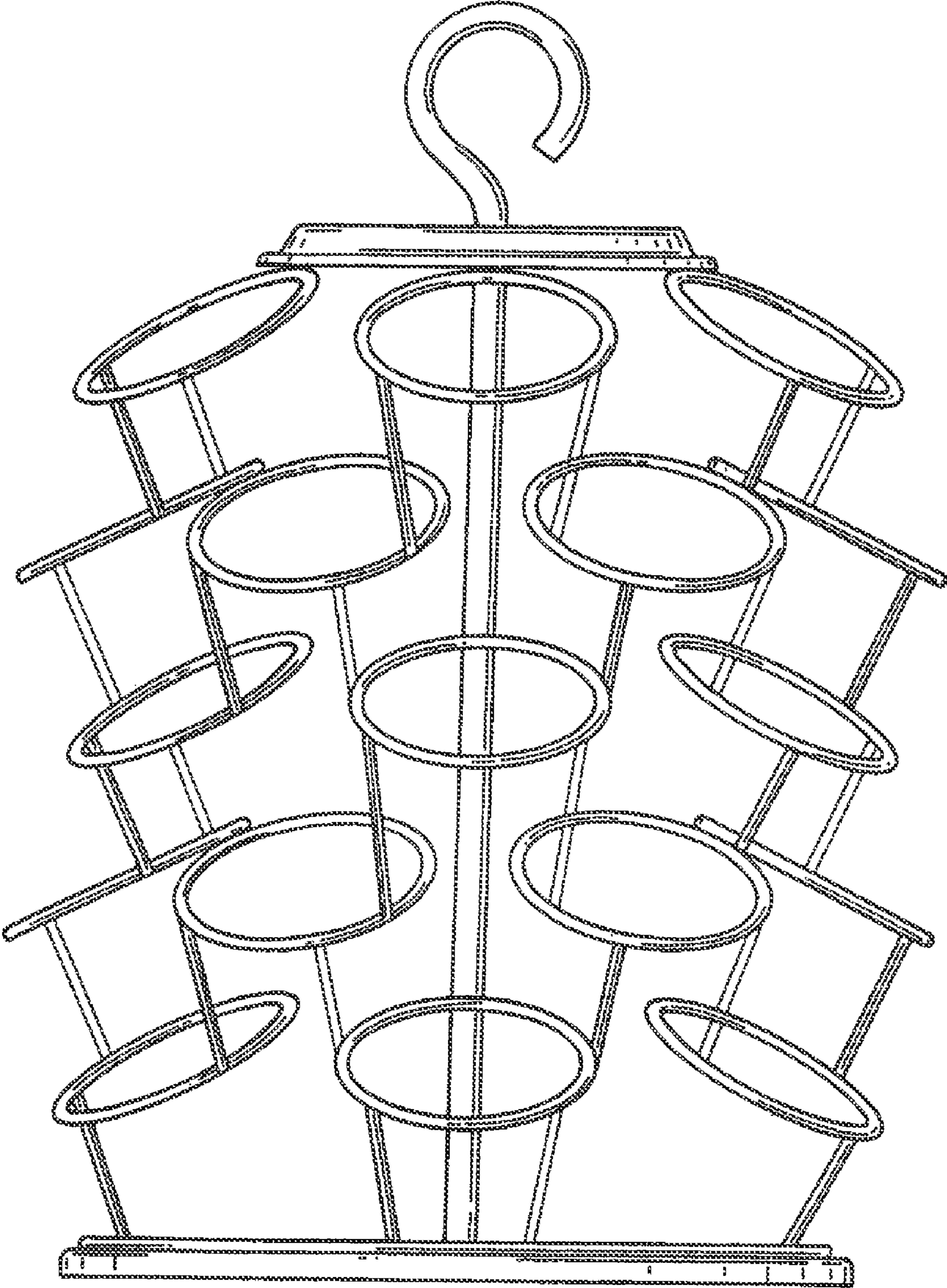


FIG. 3

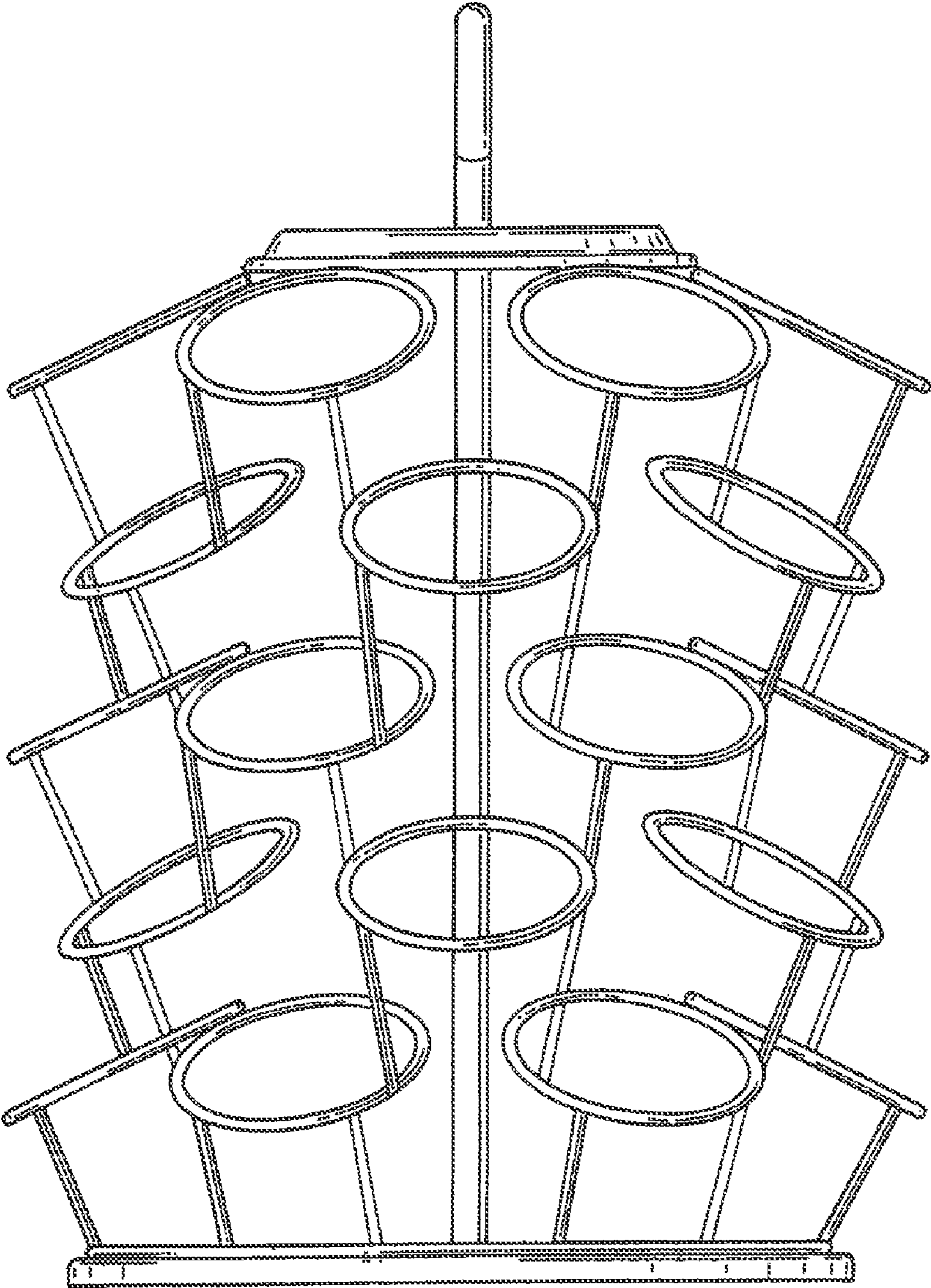




FIG. 4

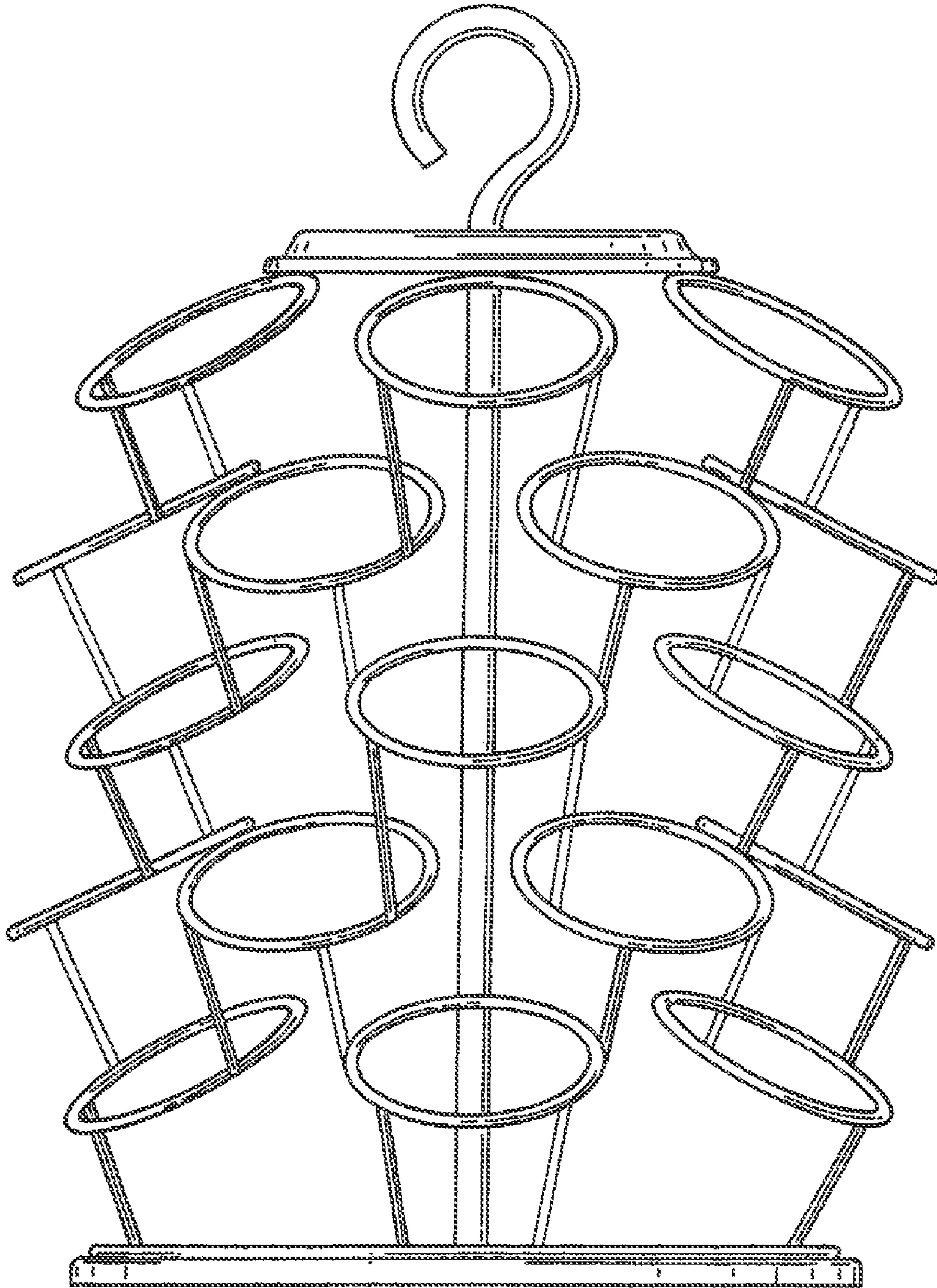


FIG. 5

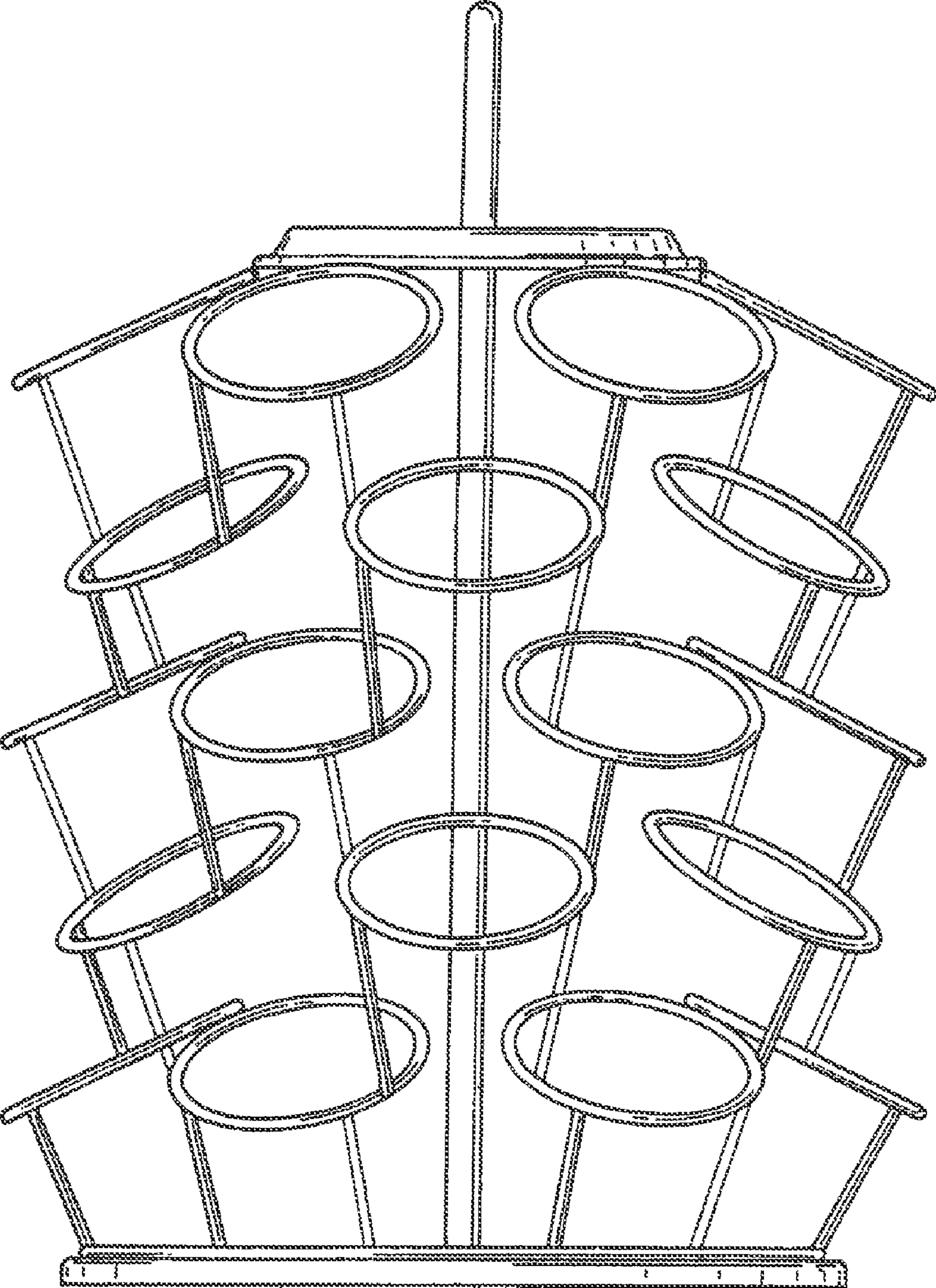




FIG. 6

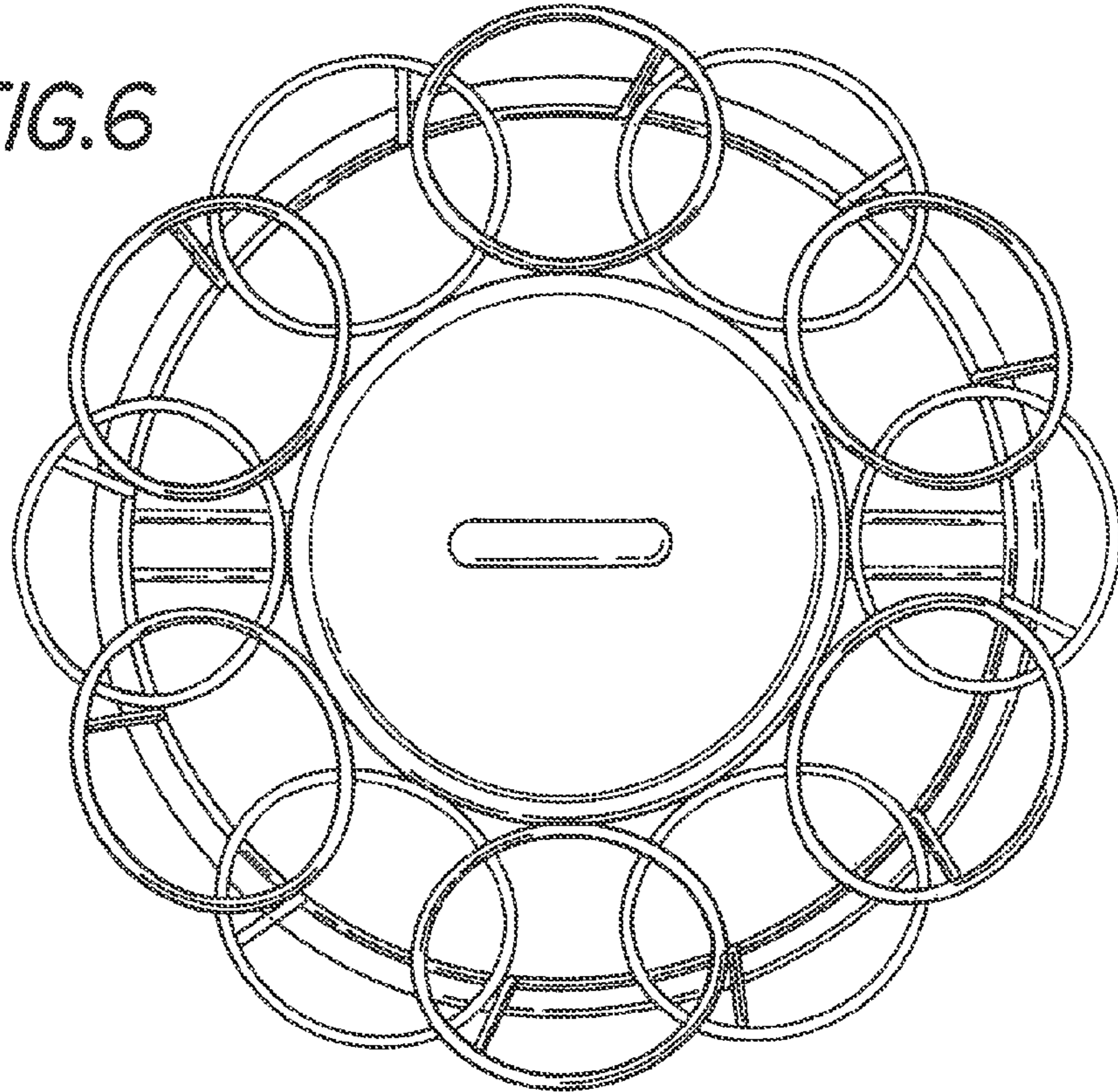


FIG. 7

