



US00D626381S

(12) **United States Design Patent**
Dewolf et al.

(10) **Patent No.:** **US D626,381 S**
(45) **Date of Patent:** **** Nov. 2, 2010**

(54) **PORTABLE CADDY**

(76) Inventors: **Mark Dewolf**, 3940 Blue Hill, Detroit, MI (US) 48224; **Michael Tomaszewski**, 22813 Amherst, St. Clair Shores, MI (US) 48081

(**) Term: **14 Years**

(21) Appl. No.: **29/302,014**

(22) Filed: **Jan. 8, 2008**

(51) **LOC (9) Cl.** **07-07**

(52) **U.S. Cl.** **D7/600.1**

(58) **Field of Classification Search** D7/601,
D7/701-707, 590, 592; D6/467, 470; D20/10,
D20/19, 21, 99; 40/661.02, 427, 453, 493,
40/541, 124.2; 211/13.1, 49.1, 71.01, 74,
211/131.1, 78; 340/286.06, 286.09, 311.2,
340/331, 332

See application file for complete search history.

(56) **References Cited**

U.S. PATENT DOCUMENTS

D211,042 S *	5/1968	Stageberg	D7/590
4,505,059 A *	3/1985	Morris	40/661
D358,176 S *	5/1995	Atkinson	D20/21
5,701,694 A *	12/1997	Atkinson	40/493
D500,637 S *	1/2005	Shmelzer	D7/590

* cited by examiner

Primary Examiner—Terry A Wallace
(74) *Attorney, Agent, or Firm*—Cantor Colburn LLP

(57) **CLAIM**

I claim, the ornamental design for a portable caddy, as shown and described.

DESCRIPTION

FIG. 1 is a perspective view of a portable caddy showing our new design.

FIG. 2 is a side view thereof, the opposite side being a mirror image.

FIG. 3 is a top plan view thereof.

FIG. 4 is an end view thereof, the opposite side being a mirror image.

FIG. 5 is a perspective view of a second embodiment of FIG. 1.

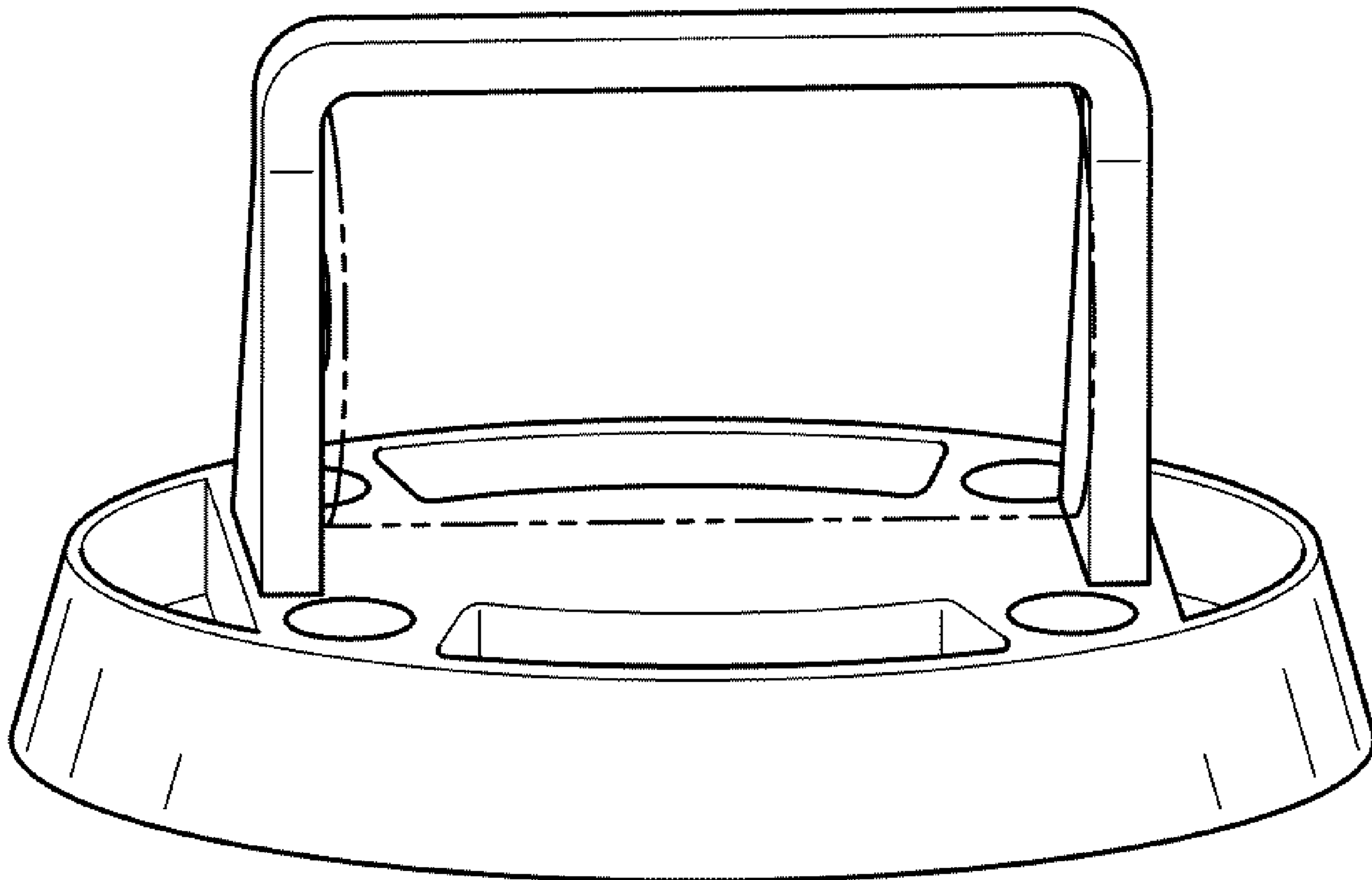
FIG. 6 is a side view of FIG. 5, the opposite side being a mirror image.

FIG. 7 is a top plan view of FIG. 5; and,

FIG. 8 is an end view of FIG. 5, the opposite side being a mirror image.

The broken lines are for illustrative purposes only and from no part of the claimed design.

1 Claim, 2 Drawing Sheets



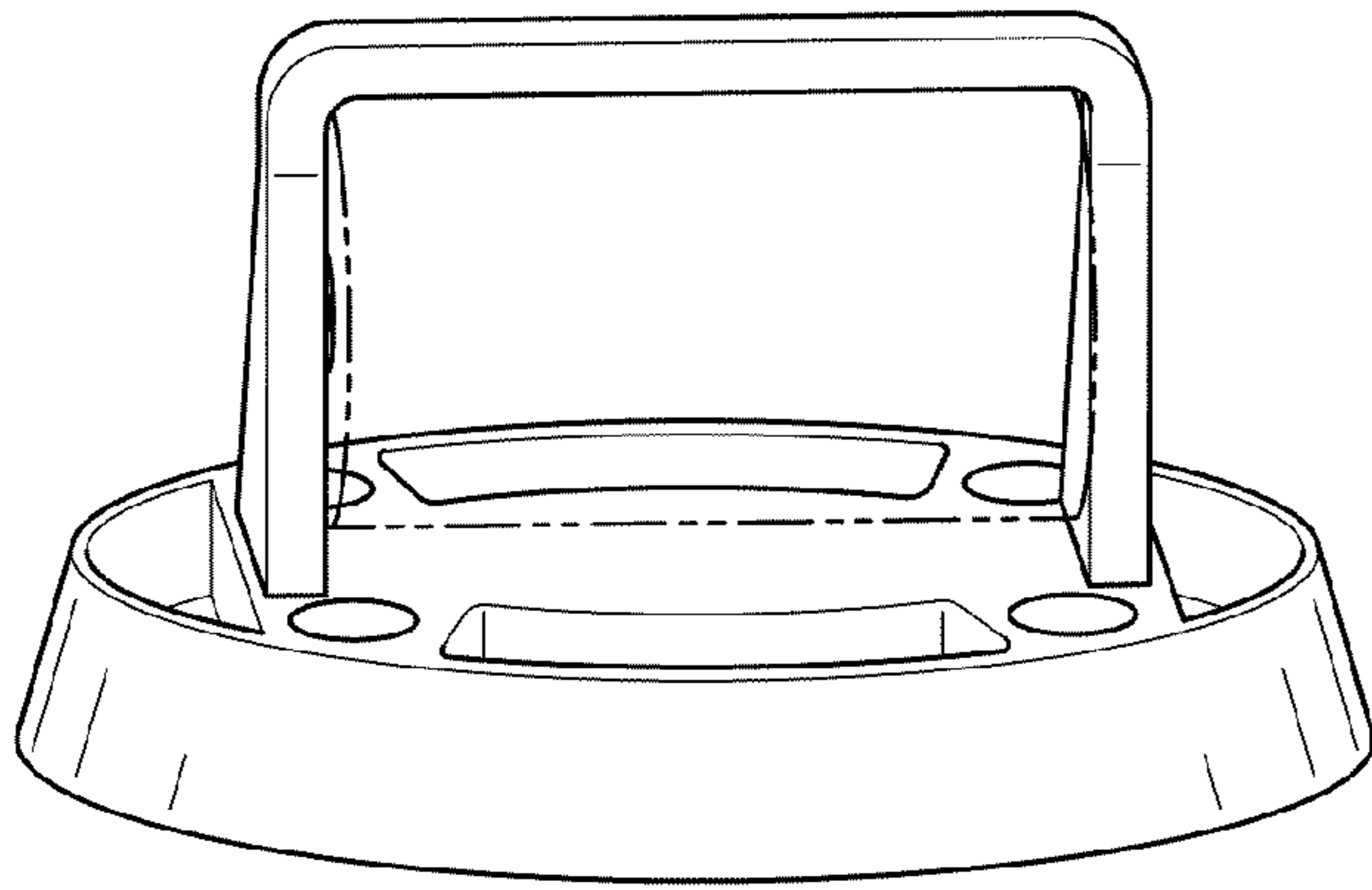


FIG. 1

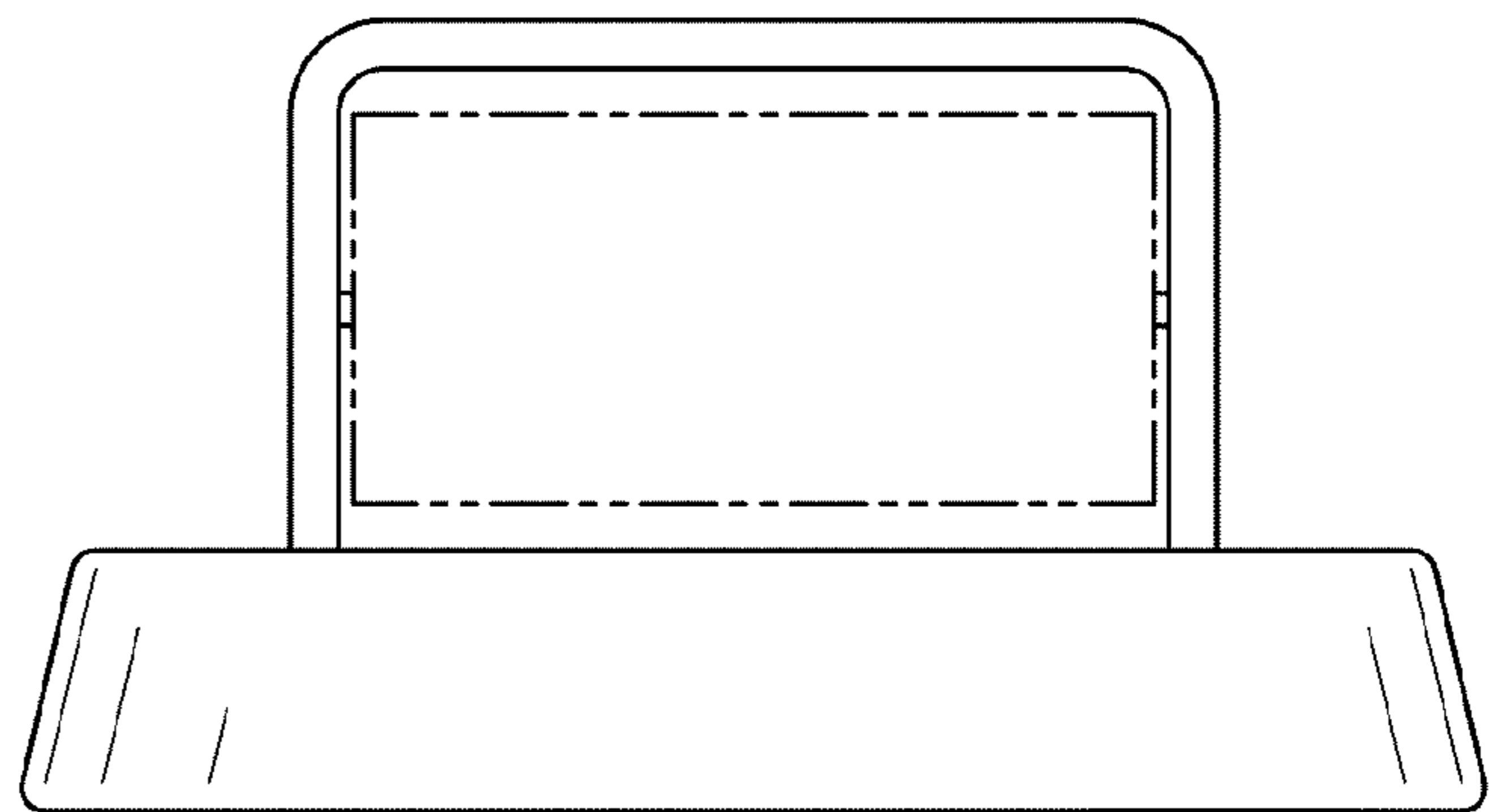


FIG. 2

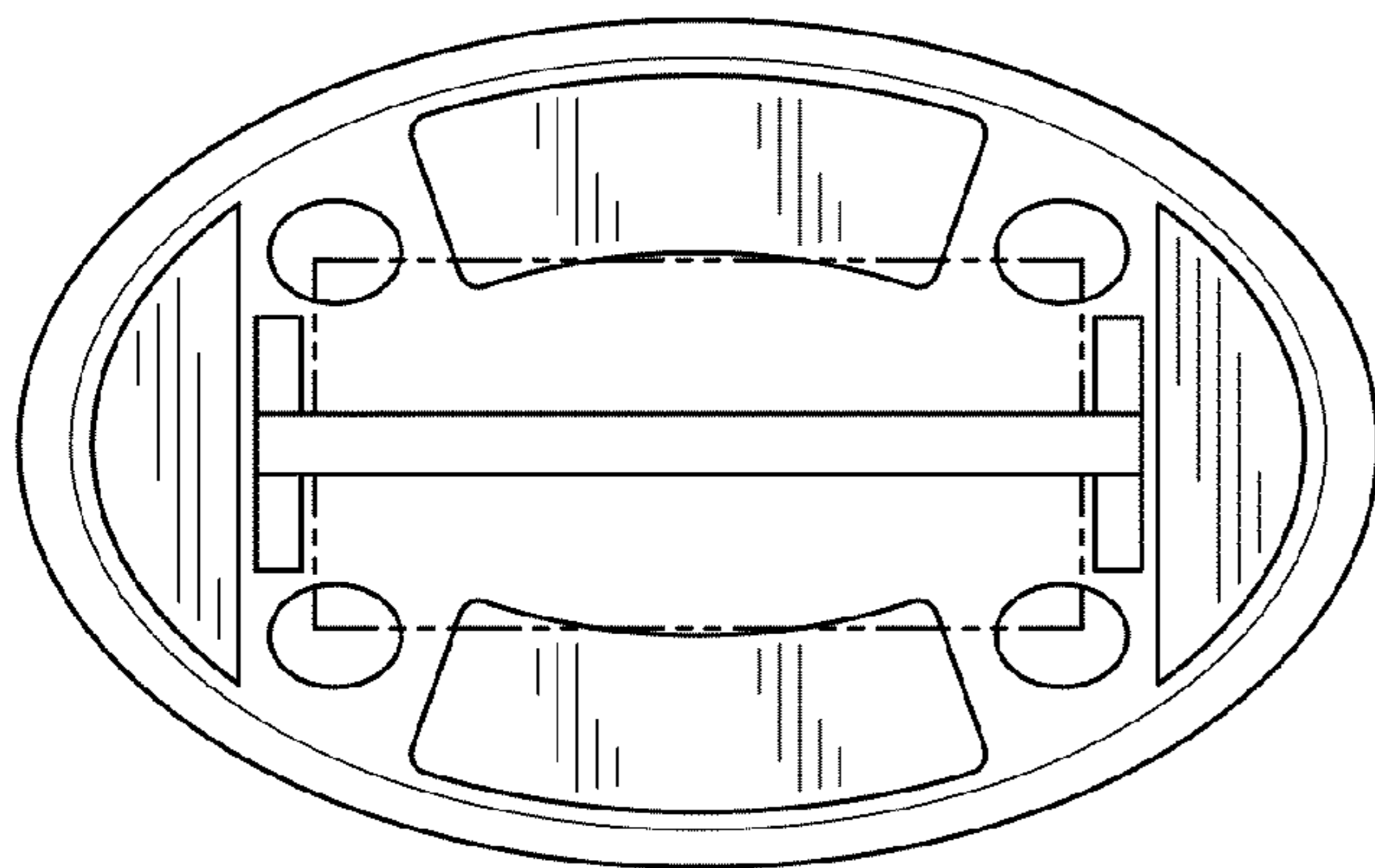


FIG. 3

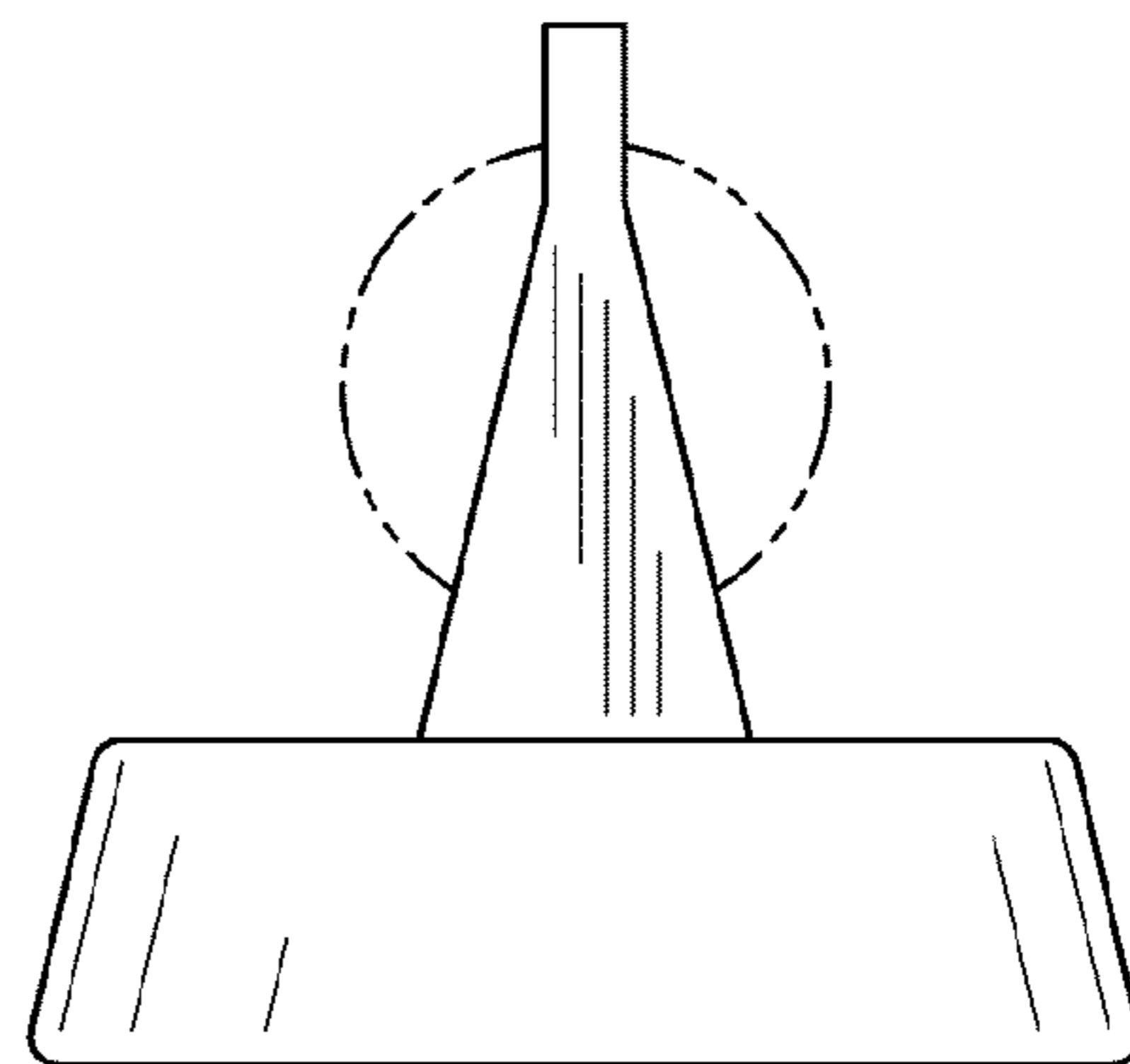


FIG. 4

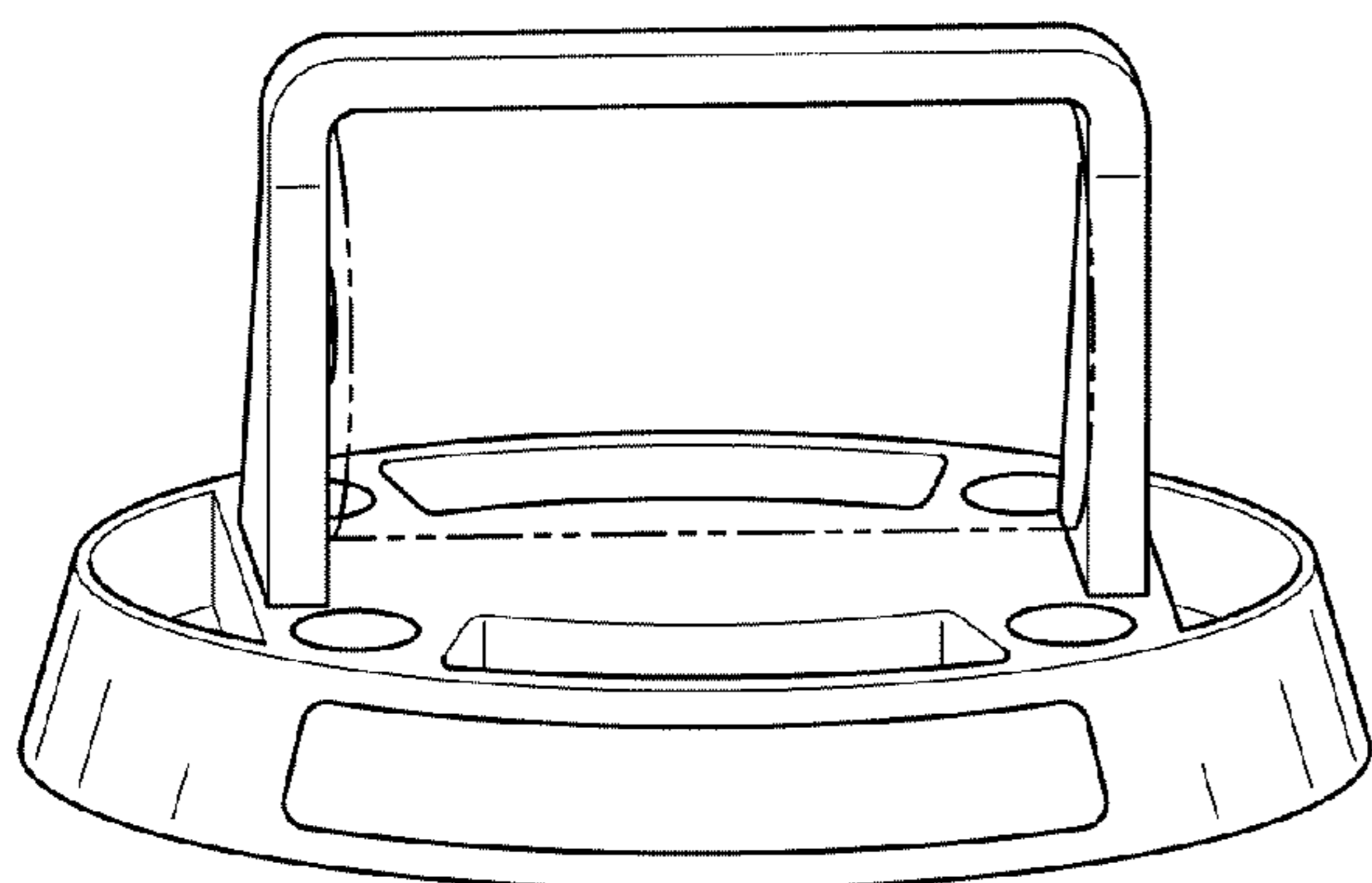


FIG. 5

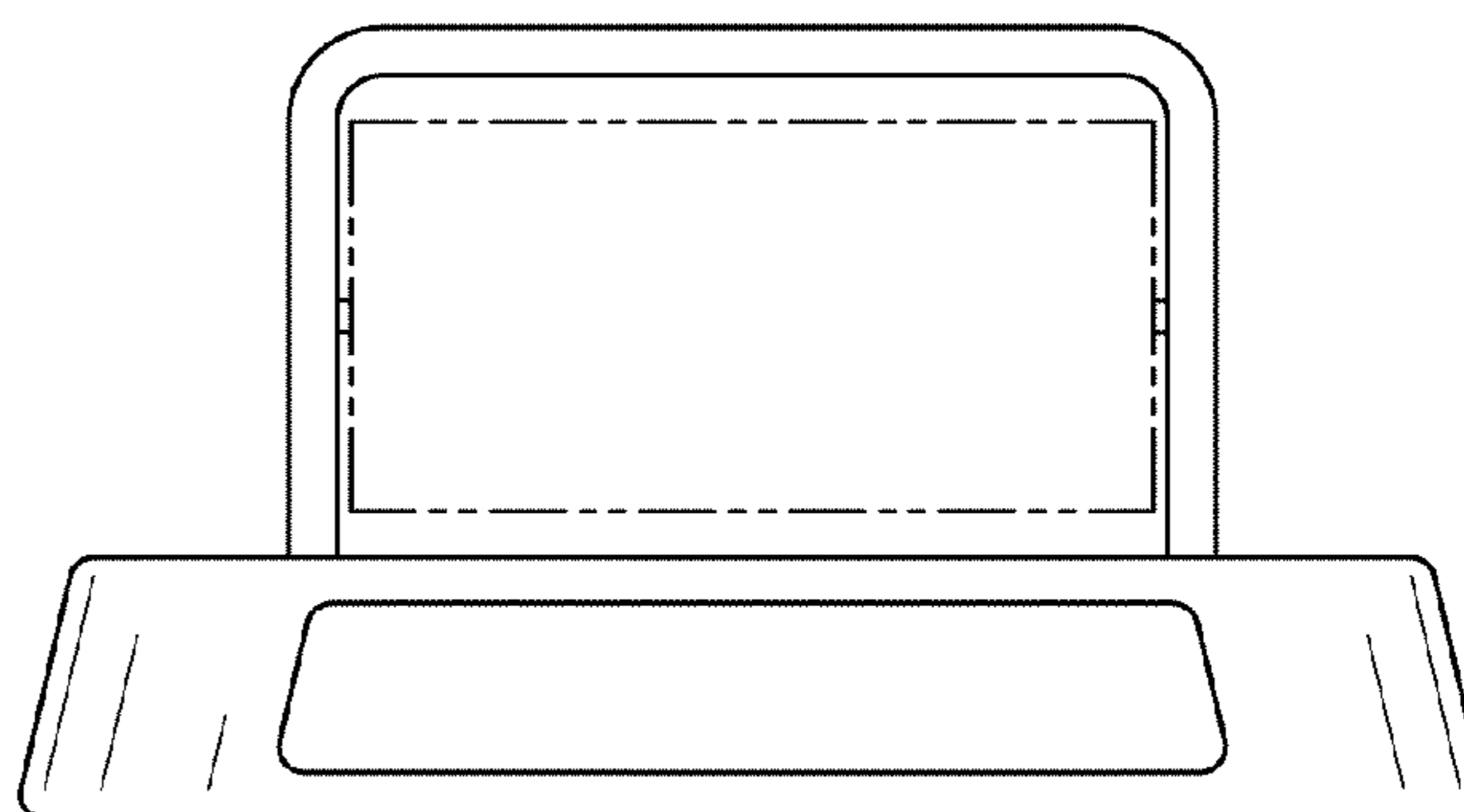


FIG. 6

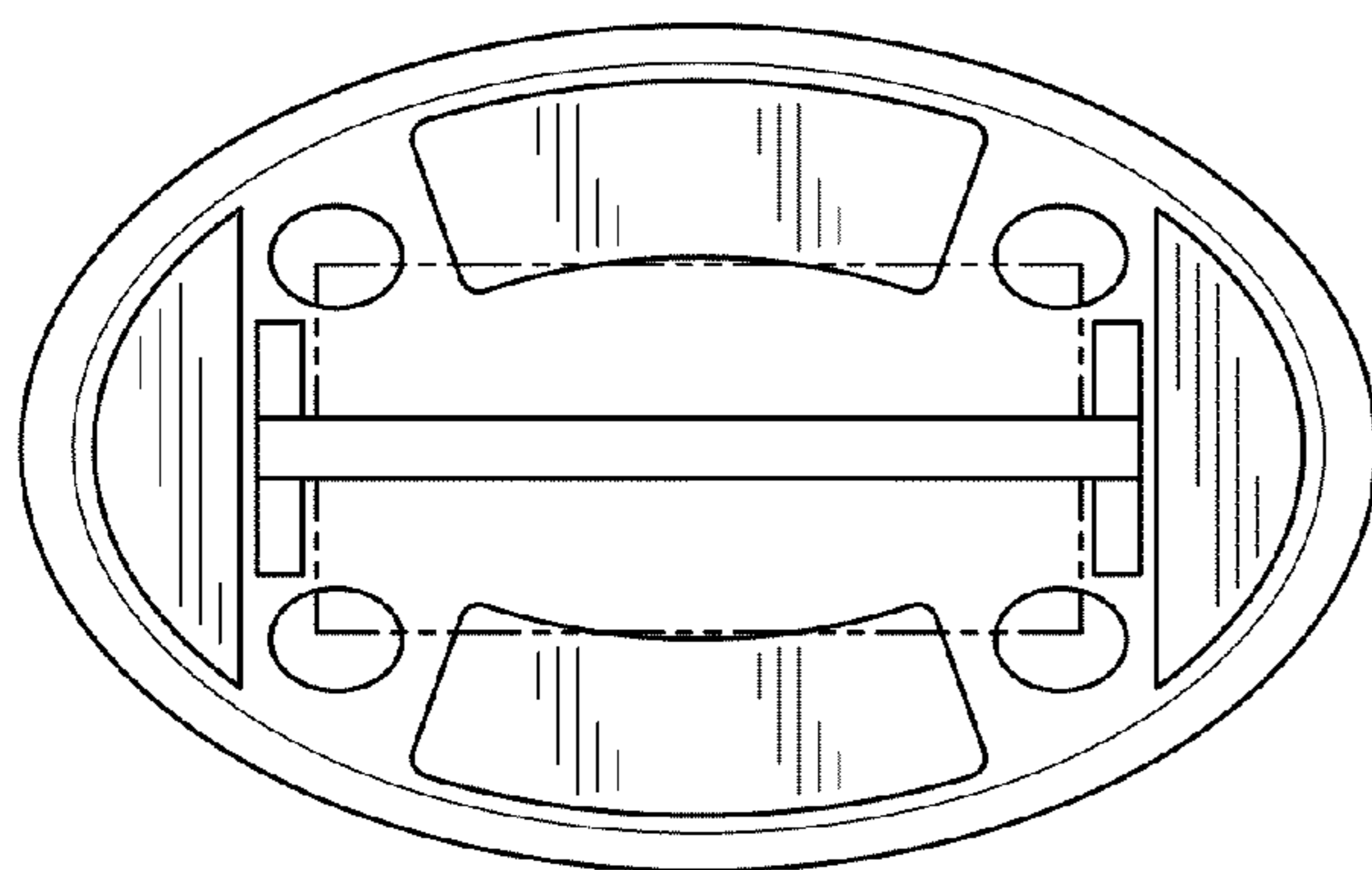


FIG. 7

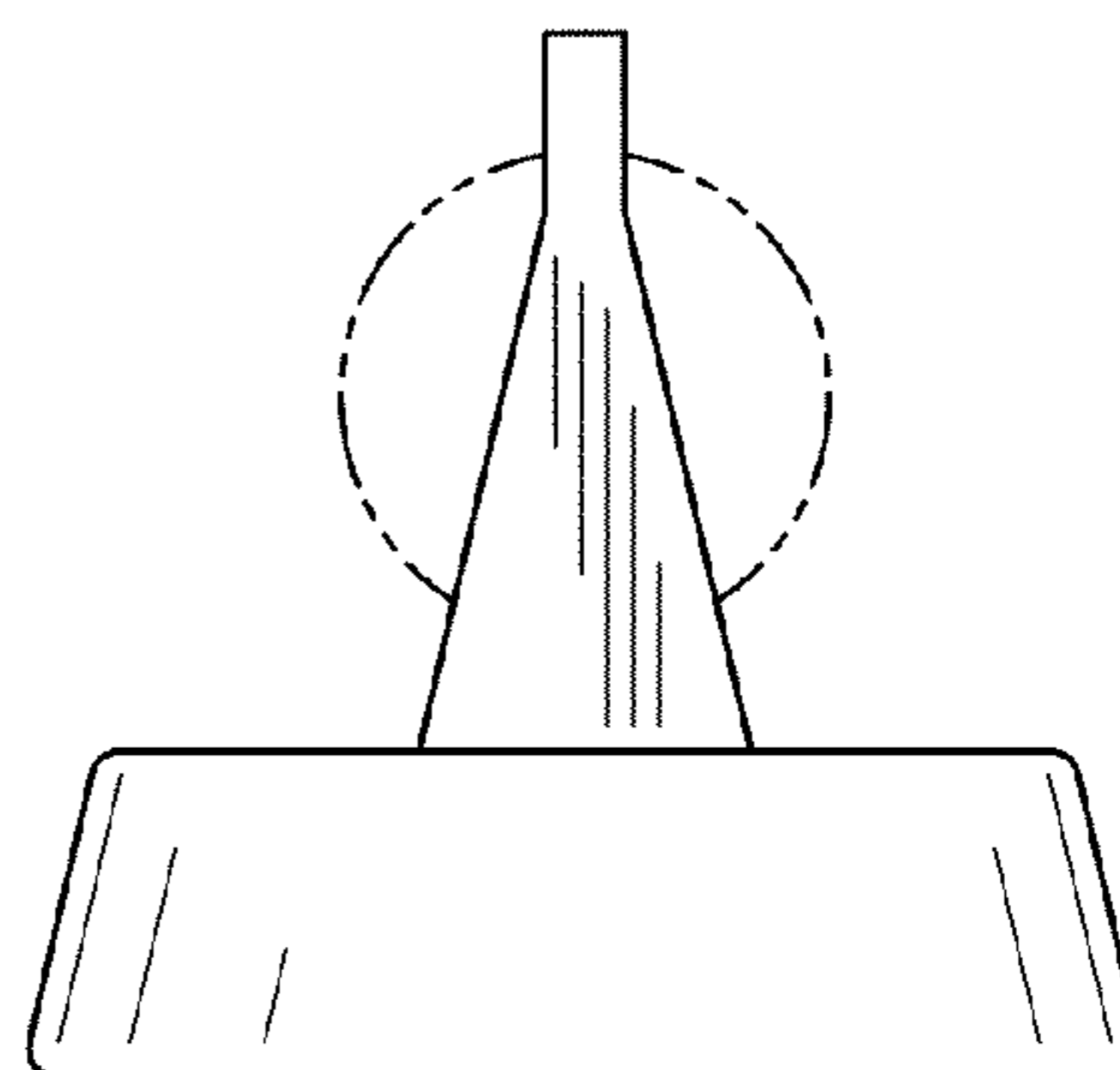


FIG. 8