



US00D626377S

(12) **United States Design Patent**  
**Contreras et al.**

(10) **Patent No.:** **US D626,377 S**

(45) **Date of Patent:** **\*\* \*Nov. 2, 2010**

(54) **COLLAPSIBLE WIRE FRAME FOR CHAFING DISH**

D488,668 S \* 4/2004 Tse ..... D7/355  
6,955,327 B1 \* 10/2005 Skvorecz ..... 248/175  
D548,001 S \* 8/2007 Gross ..... D7/355

(75) Inventors: **Robert John Contreras**, Rialto, CA (US); **Richard Eugene Miller**, Murrieta, CA (US); **Lloyd LeRoy Wall**, Hildale, UT (US)

**OTHER PUBLICATIONS**

Photographs of non-collapsing chafing dish sold by Client, 2 pages.

\* cited by examiner

(73) Assignee: **Candle Lamp Company, LLC**

*Primary Examiner*—T. Chase Nelson

*Assistant Examiner*—Mark Cavanna

(\*\*) Term: **14 Years**

(74) *Attorney, Agent, or Firm*—Stetina Brunda Garred & Brucker

(21) Appl. No.: **29/340,779**

(22) Filed: **Jul. 24, 2009**

(57) **CLAIM**

(51) **LOC (9) Cl.** ..... **07-02**

The ornamental design for a collapsible wire frame for chafing dish, as shown and described.

(52) **U.S. Cl.** ..... **D7/402; D7/355**

(58) **Field of Classification Search** ..... D7/323, D7/354–361, 365–367, 402, 407–408; 99/324, 99/339, 340, 357; 219/620–622, 429–438, 219/451.1; 220/252, 573.1–574; 248/147  
See application file for complete search history.

**DESCRIPTION**

FIG. 1 is a front perspective view of a collapsible wire frame for chafing dish in an erected configuration showing our new design;

(56) **References Cited**

**U.S. PATENT DOCUMENTS**

D189,469 S *	12/1960	Flescher	.....	D7/366
D213,717 S *	4/1969	Rickmeier	.....	D7/355
D213,899 S *	4/1969	Rickmeier	.....	D7/364
D305,972 S *	2/1990	Pearce	.....	D7/366
5,287,800 A *	2/1994	Orednick	.....	248/153
D401,805 S *	12/1998	Benz	.....	D7/355
D406,984 S *	3/1999	Skvorecz	.....	D7/393
5,921,513 A *	7/1999	Skvorecz	.....	248/153
D426,103 S *	6/2000	Briner	.....	D7/355
D434,268 S *	11/2000	Yu	.....	D7/355
6,234,068 B1 *	5/2001	Sherman	.....	248/150
D468,580 S *	1/2003	Ruiseco	.....	D7/355
6,520,354 B1 *	2/2003	Skvorecz	.....	248/175

FIG. 2 is a top plan view thereof;

FIG. 3 is a bottom plan view thereof;

FIG. 4 is a front elevational view thereof;

FIG. 5 is a side elevational view thereof;

FIG. 6 is a front perspective view of the collapsible wire frame for chafing dish shown in FIG. 1 in a collapsed configuration;

FIG. 7 is a top plan view thereof;

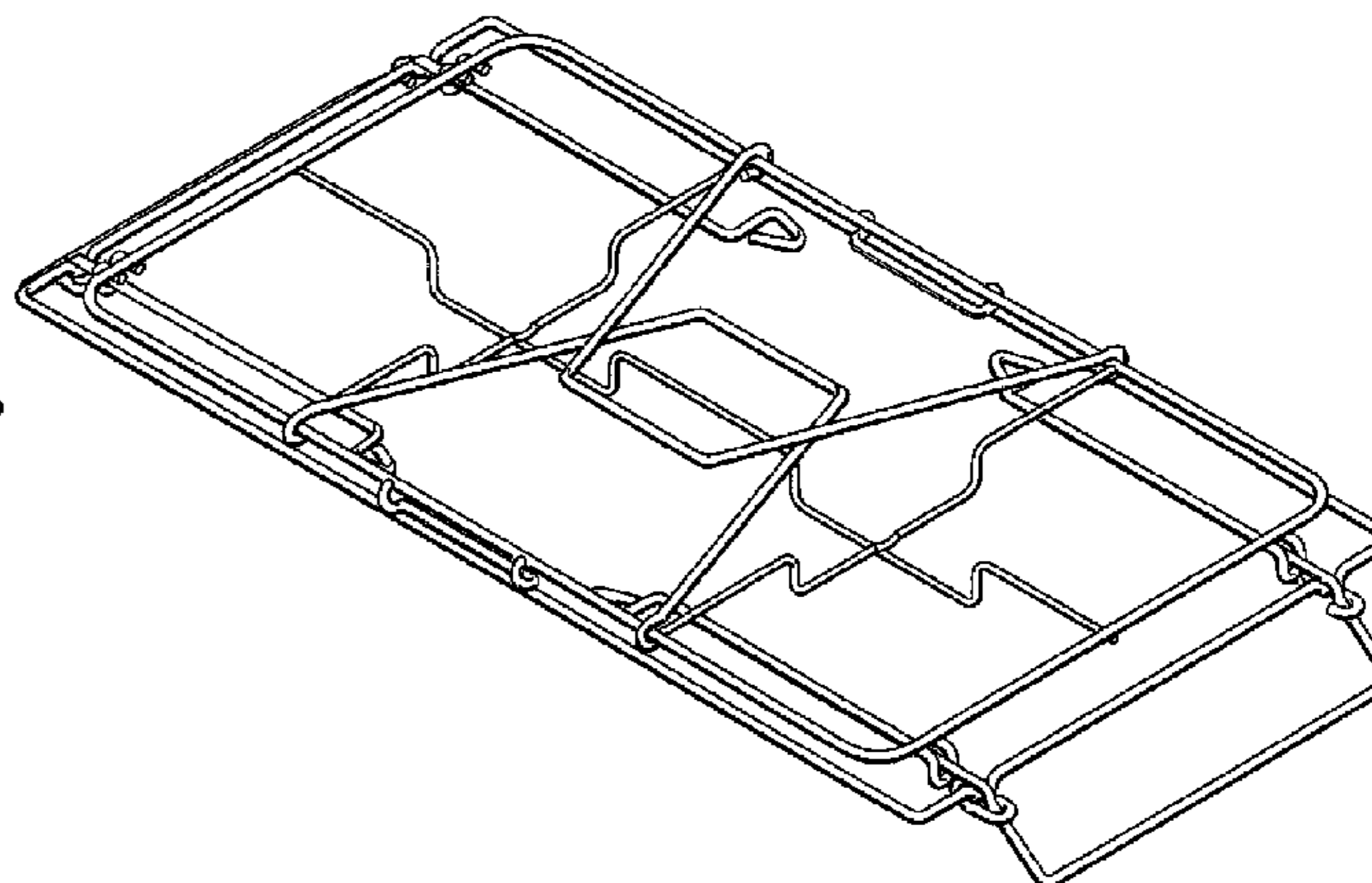
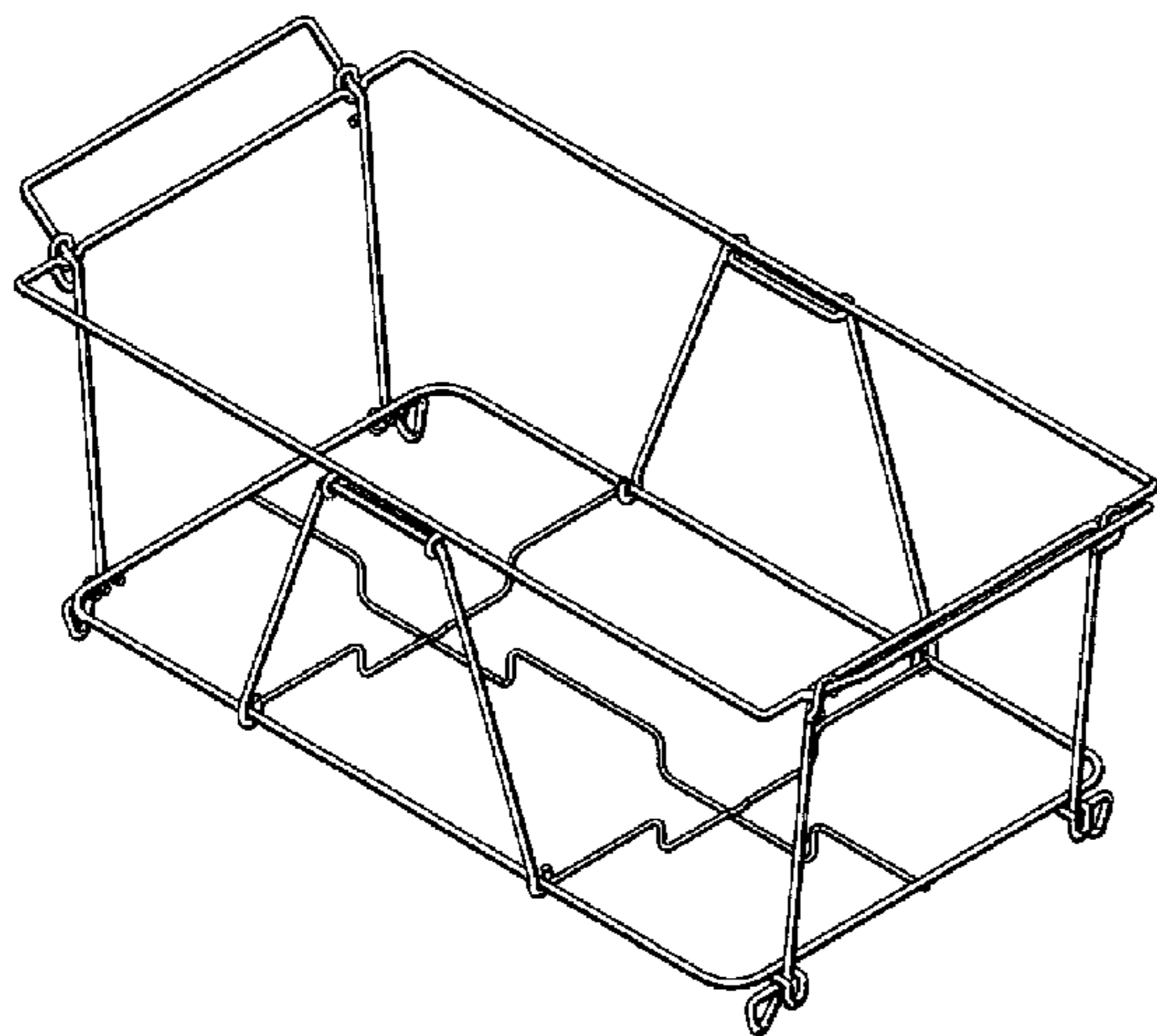
FIG. 8 is a bottom plan view thereof;

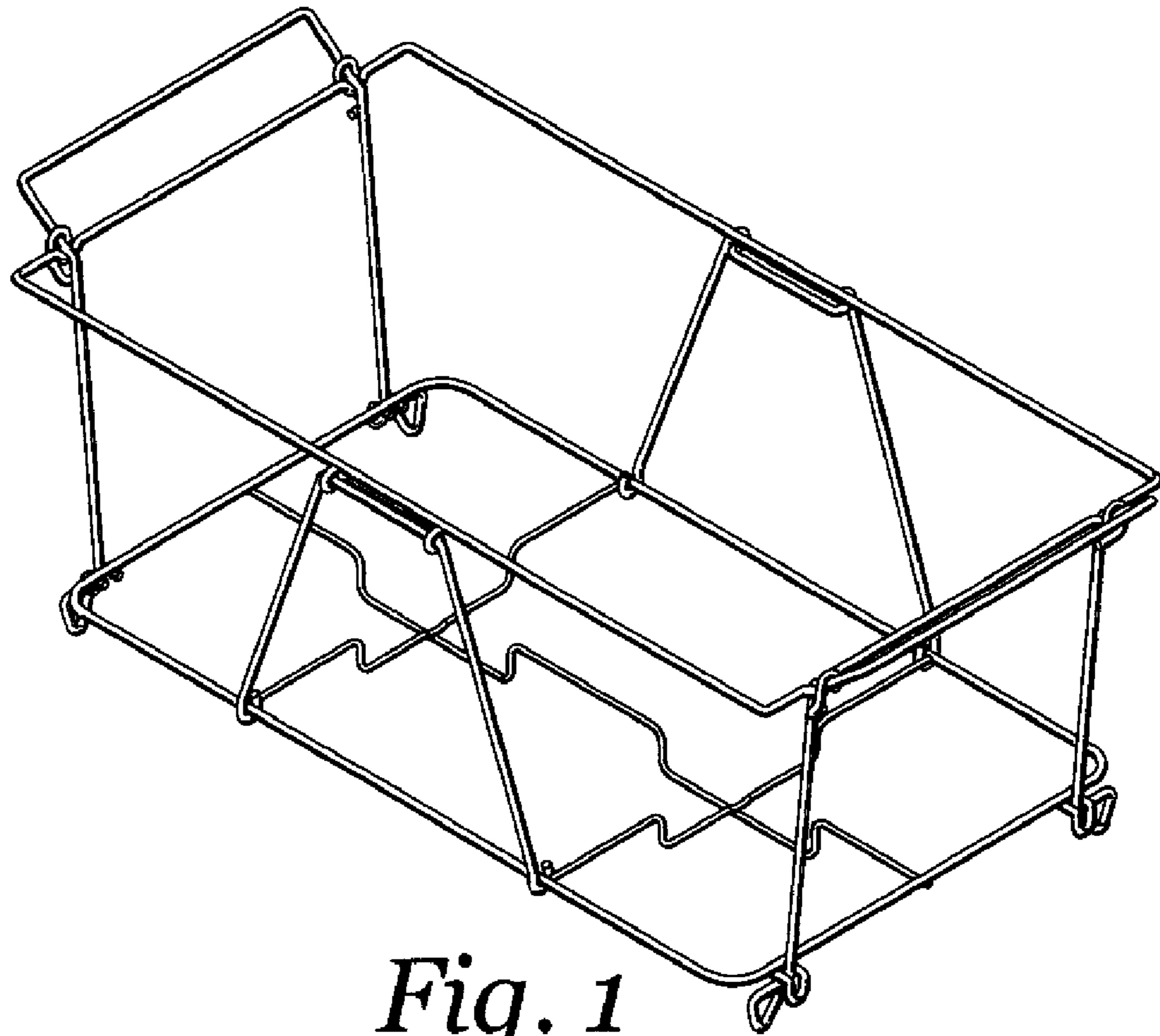
FIG. 9 is a front elevational view thereof;

FIG. 10 is a left side elevational view thereof; and,

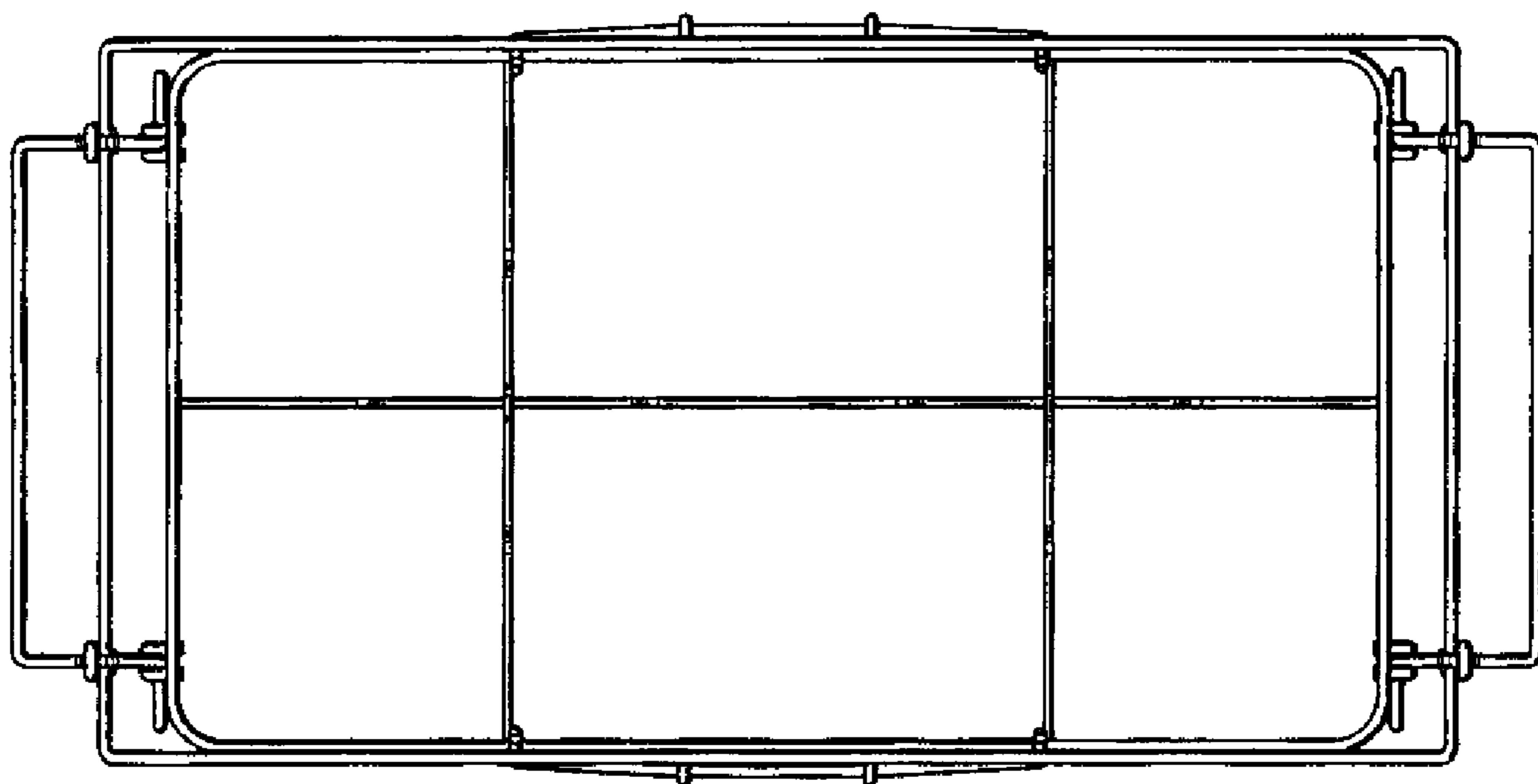
FIG. 11 is a right side elevational view thereof.

**1 Claim, 4 Drawing Sheets**

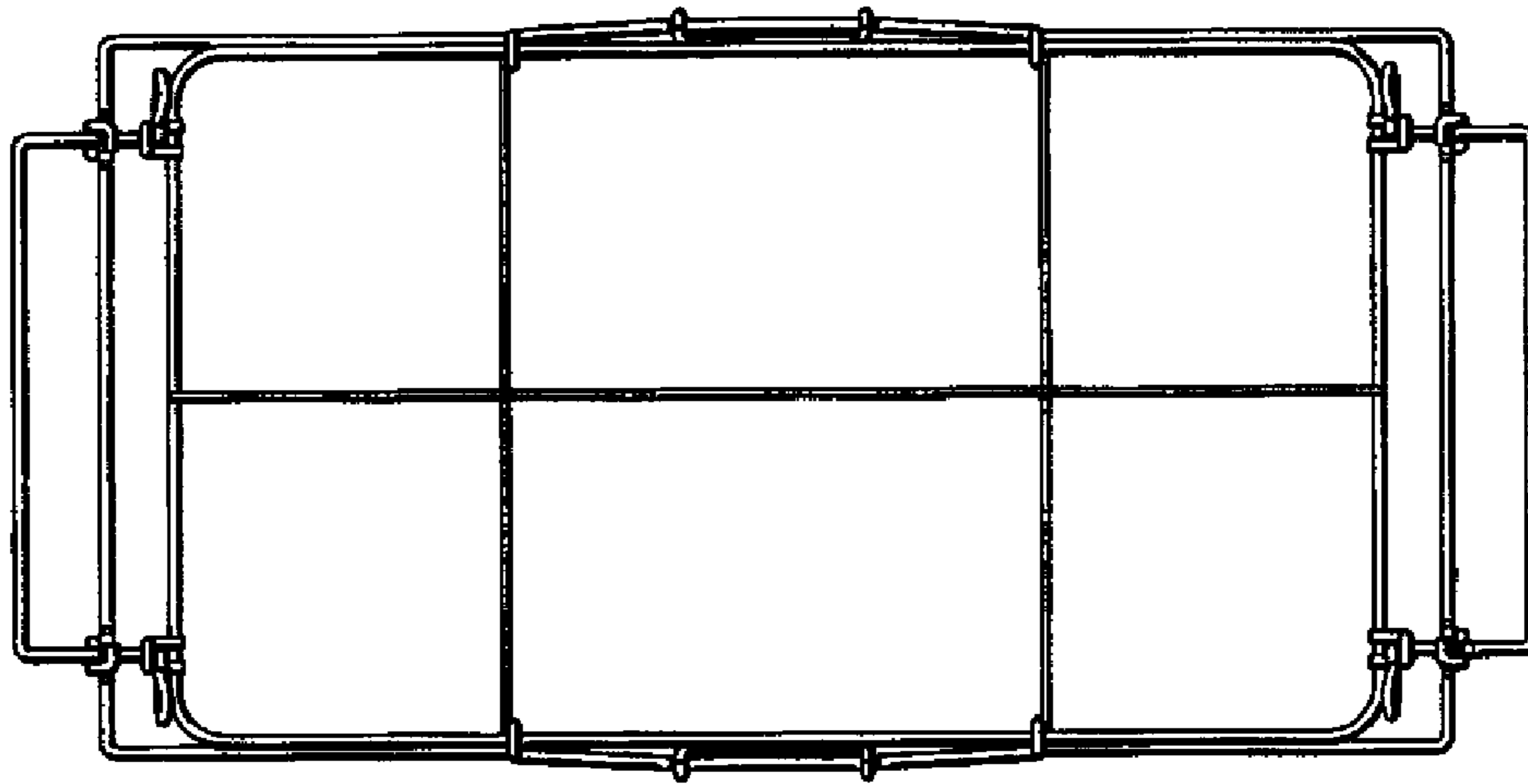




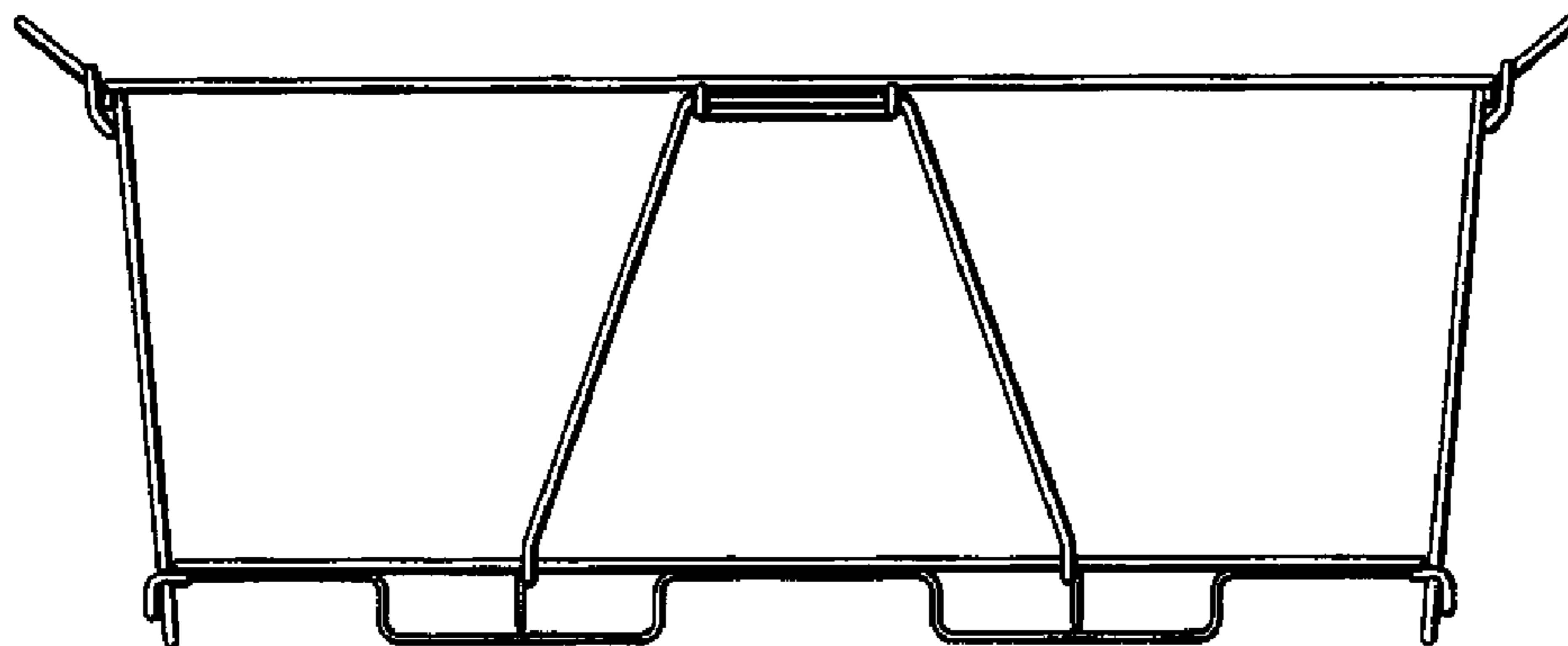
*Fig. 1*



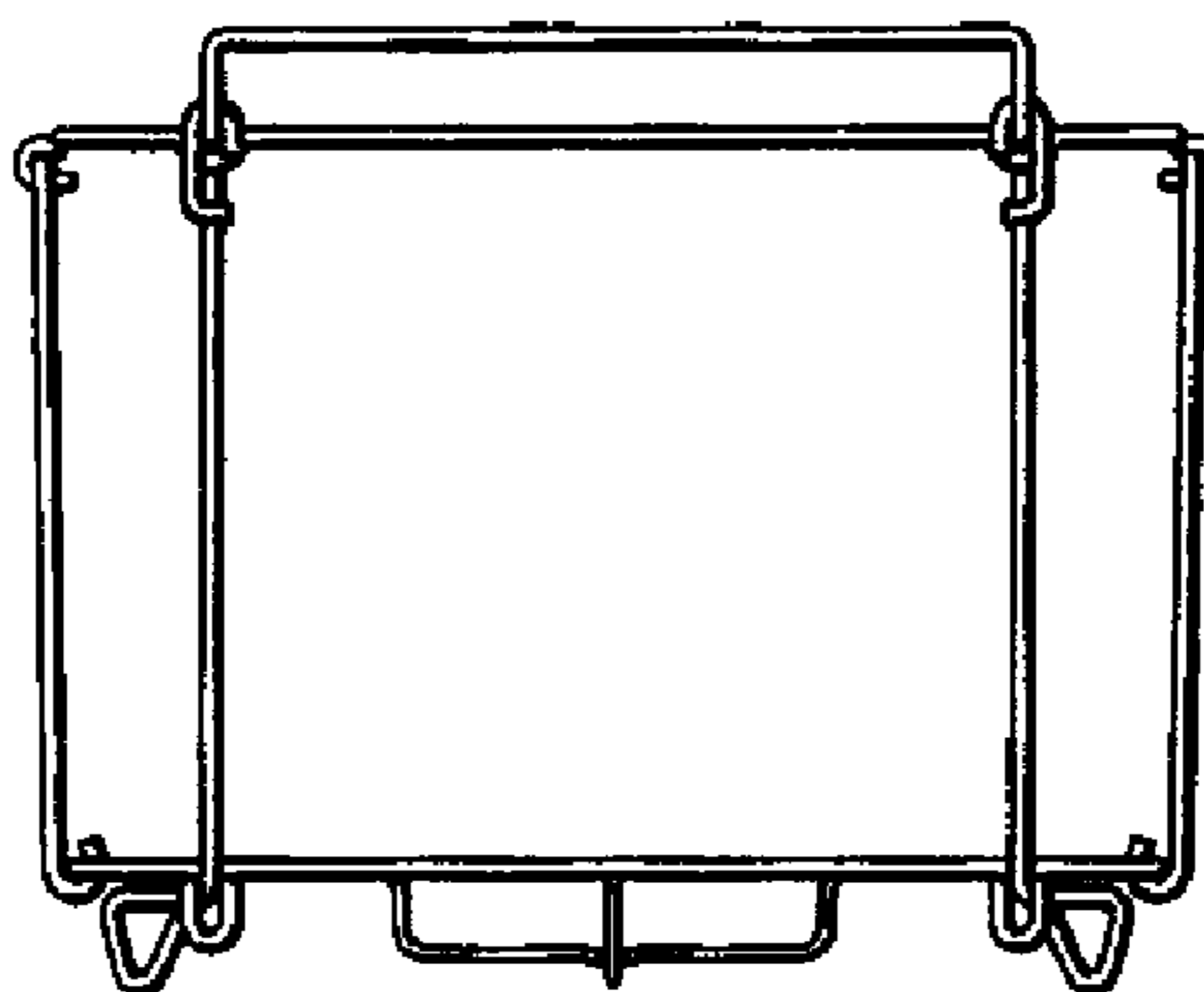
*Fig. 2*



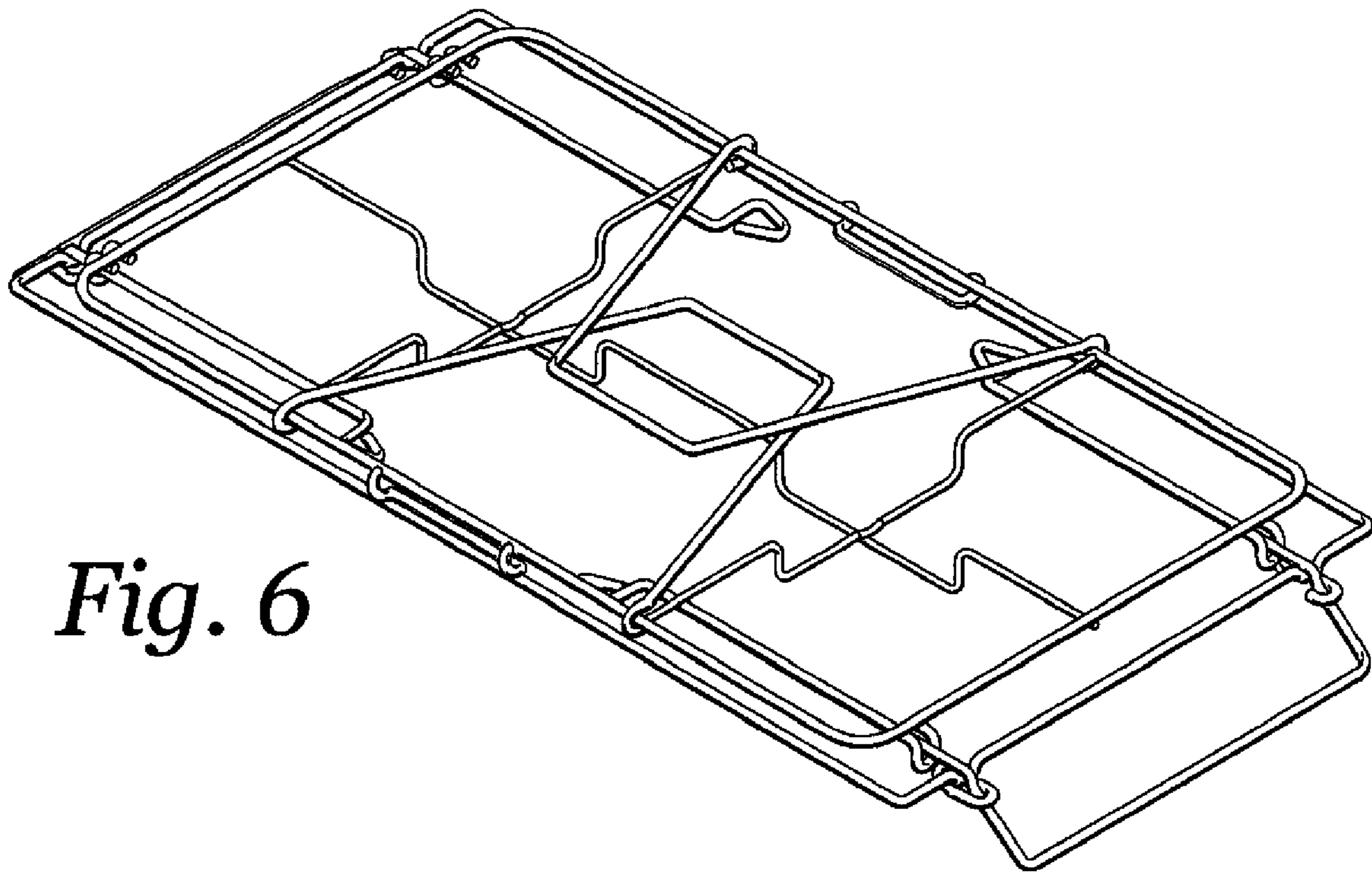
*Fig. 3*



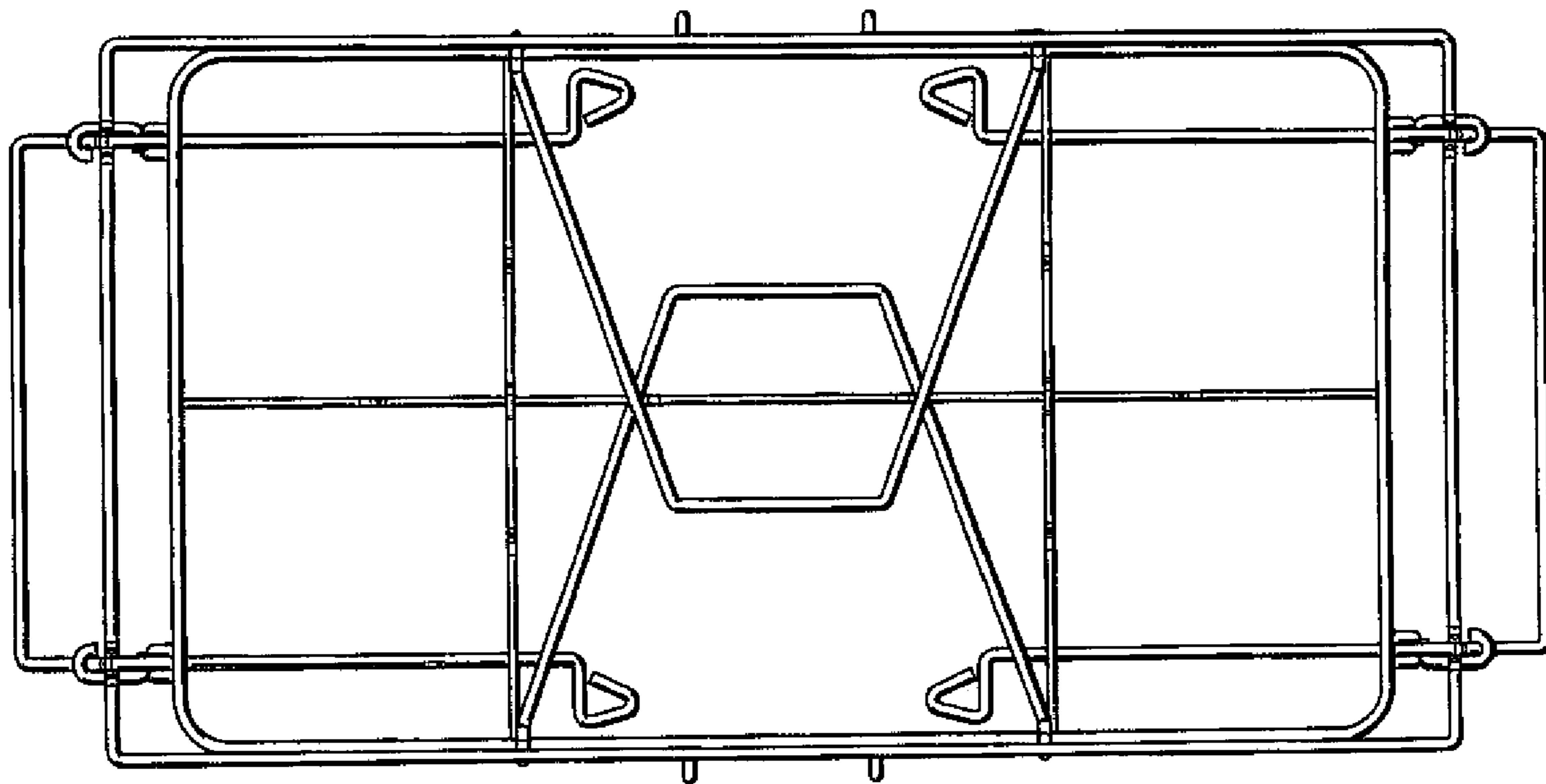
*Fig. 4*



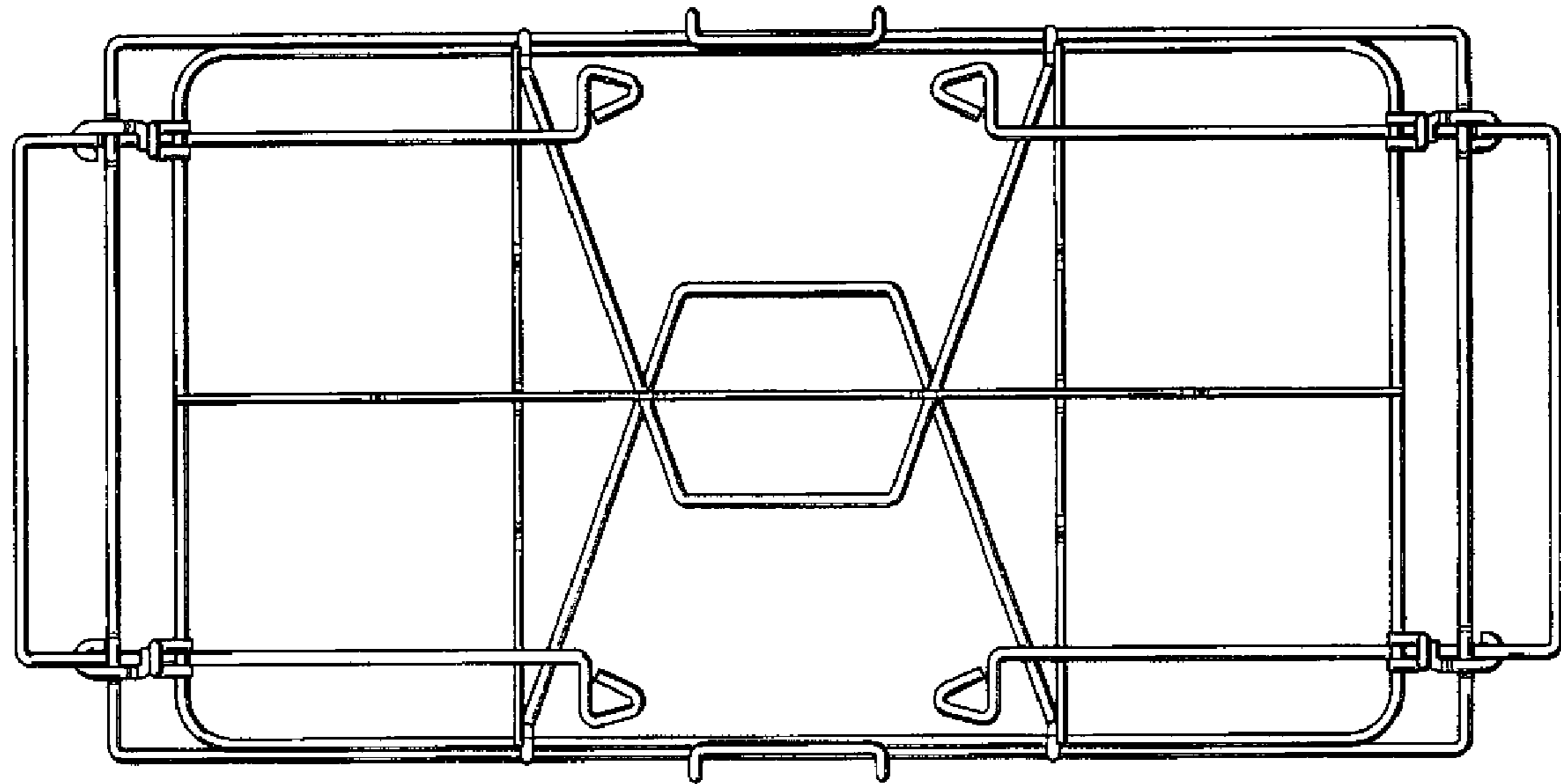
*Fig. 5*



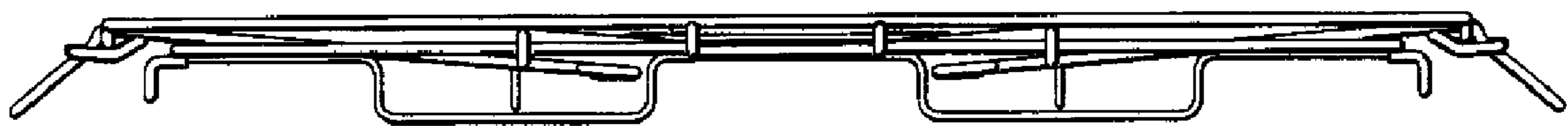
*Fig. 6*



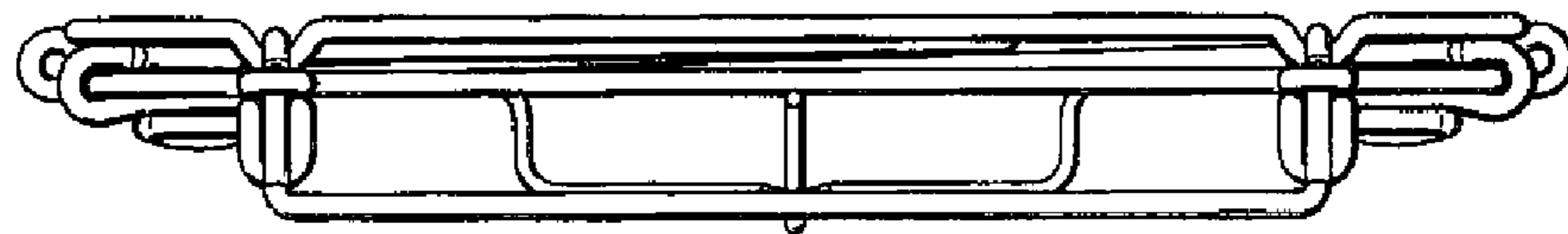
*Fig. 7*



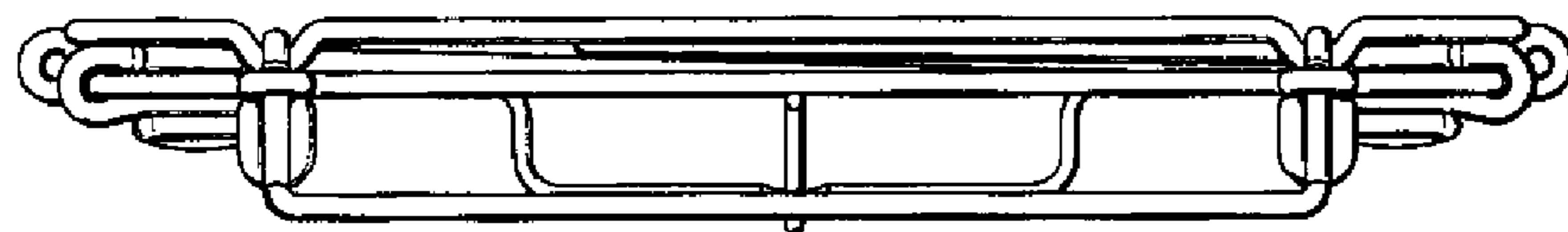
*Fig. 8*



*Fig. 9*



*Fig. 10*



*Fig. 11*