



US00D626373S

(12) **United States Design Patent**  
**Valiyee et al.**

(10) **Patent No.:** **US D626,373 S**

(45) **Date of Patent:** **\*\* Nov. 2, 2010**

(54) **SPLIT HEEL SET FOR A BAR GUN HANDLE ASSEMBLY**

(75) Inventors: **Mojtaba Valiyee**, Moraga, CA (US);  
**Richard A. Martindale**, Vacaville, CA (US);  
**Gabriel M. Dial**, Vacaville, CA (US)

(73) Assignee: **Automatic Bar Controls, Inc.**,  
Vacaville, CA (US)

(\*\*) Term: **14 Years**

(21) Appl. No.: **29/346,453**

(22) Filed: **Oct. 30, 2009**

(51) **LOC (9) Cl.** ..... **07-01**

(52) **U.S. Cl.** ..... **D7/398; D7/397**

(58) **Field of Classification Search** ..... D7/300,  
D7/306, 313, 397, 398, 387; D23/233, 262;  
D8/29; 222/129.1, 144.5, 113, 527, 529,  
222/537

See application file for complete search history.

(56) **References Cited**

**U.S. PATENT DOCUMENTS**

2,937,792	A *	5/1960	Firstenberg	.....	222/144.5
3,703,187	A *	11/1972	Booth	.....	137/114
4,497,421	A *	2/1985	Schilling	.....	222/144.5
4,674,296	A *	6/1987	Renaud	.....	62/389
4,896,902	A *	1/1990	Weston	.....	285/93
4,921,140	A *	5/1990	Belcham	.....	222/144.5
5,058,931	A *	10/1991	Bowsher	.....	285/112
D396,995	S *	8/1998	Miltenberger	.....	D7/398
D472,762	S *	4/2003	Song	.....	D7/398
7,028,864	B2 *	4/2006	McCann et al.	.....	222/144.5
D560,965	S *	2/2008	Sommerfield	.....	D7/398
D562,068	S *	2/2008	Albini et al.	.....	D7/398

D568,451	S *	5/2008	Gibb et al.	.....	D23/262
D605,894	S *	12/2009	Drennow	.....	D7/397
7,658,006	B2 *	2/2010	Schroeder	.....	29/890.142
7,665,632	B2 *	2/2010	Ziesel	.....	222/129.1
D611,126	S *	3/2010	Porter et al.	.....	D23/262

\* cited by examiner

*Primary Examiner*—Marianne Pandozzi

(74) *Attorney, Agent, or Firm*—Townsend and Townsend and Crew LLP

(57) **CLAIM**

The ornamental design for a split heel set for a bar gun handle assembly, as shown and described.

**DESCRIPTION**

FIG. 1 is a perspective view of a split heel set for a bar gun handle assembly, shown in an assembled manner, showing our new design;

FIG. 2 is an exploded unassembled view thereof;

FIG. 3 is a top plan view thereof;

FIG. 4 is a bottom plan view thereof;

FIG. 5 is a left side elevational view thereof;

FIG. 6 is a right side elevational view thereof;

FIG. 7 is a front elevational view thereof;

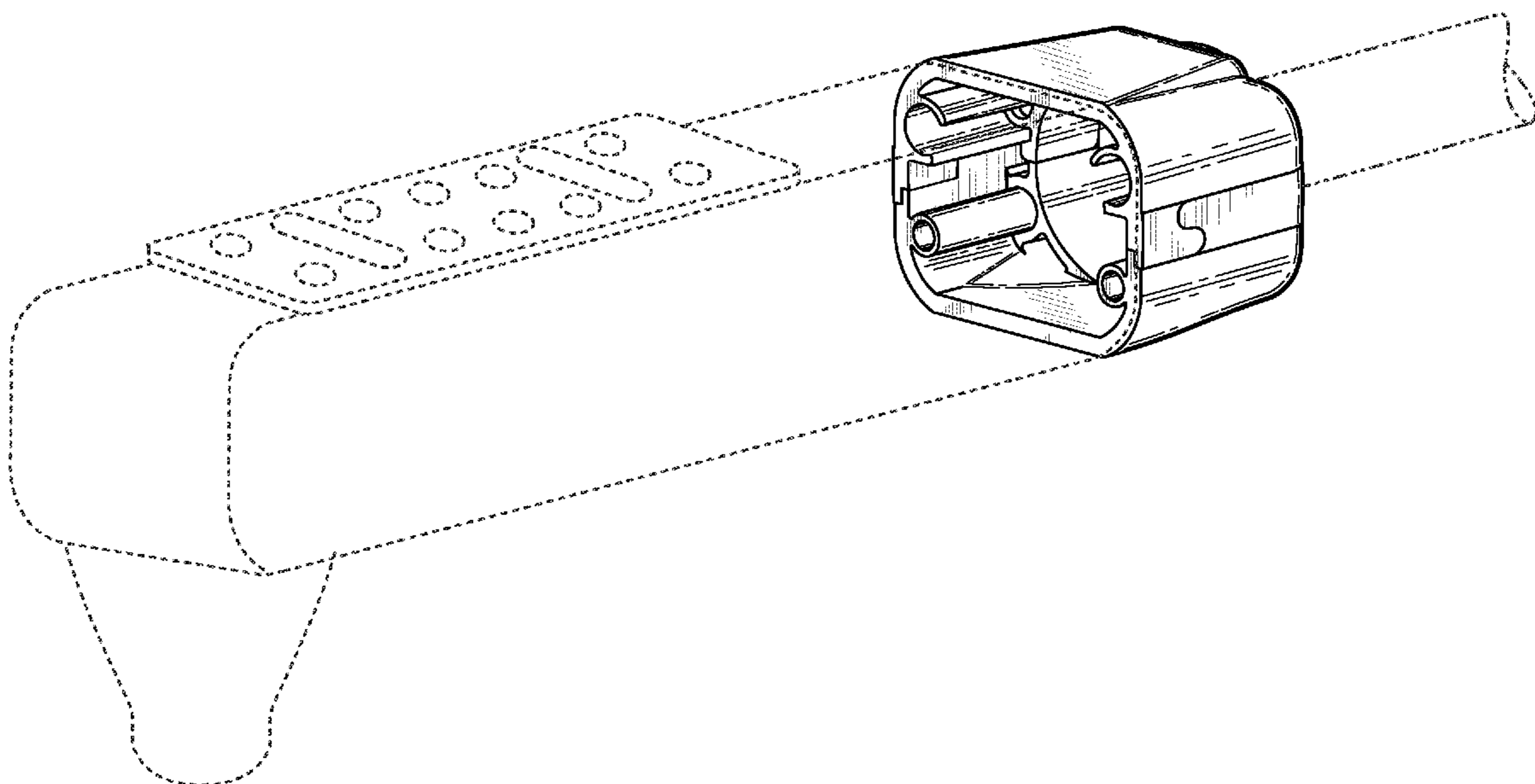
FIG. 8 is a rear elevational view thereof;

FIG. 9 is an in-use exploded perspective view thereof, shown unassembled for connection with a bar gun; and,

FIG. 10 is a perspective view of the split heel set for a bar gun handle assembly, shown assembled with a bar gun.

The broken line showing of a bar gun is included for the purpose of illustration and forms no part of the claimed design.

**1 Claim, 7 Drawing Sheets**



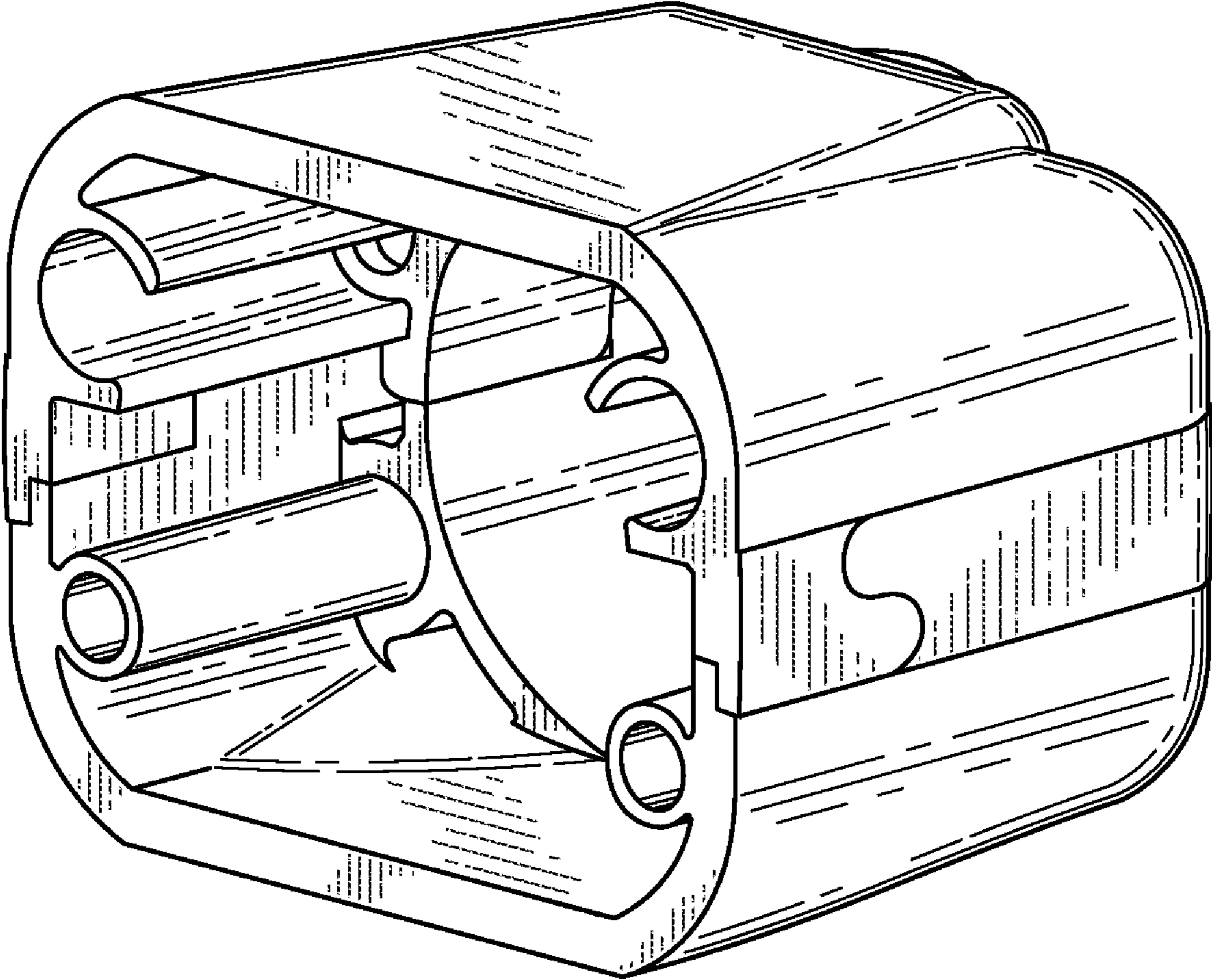


FIG. 1

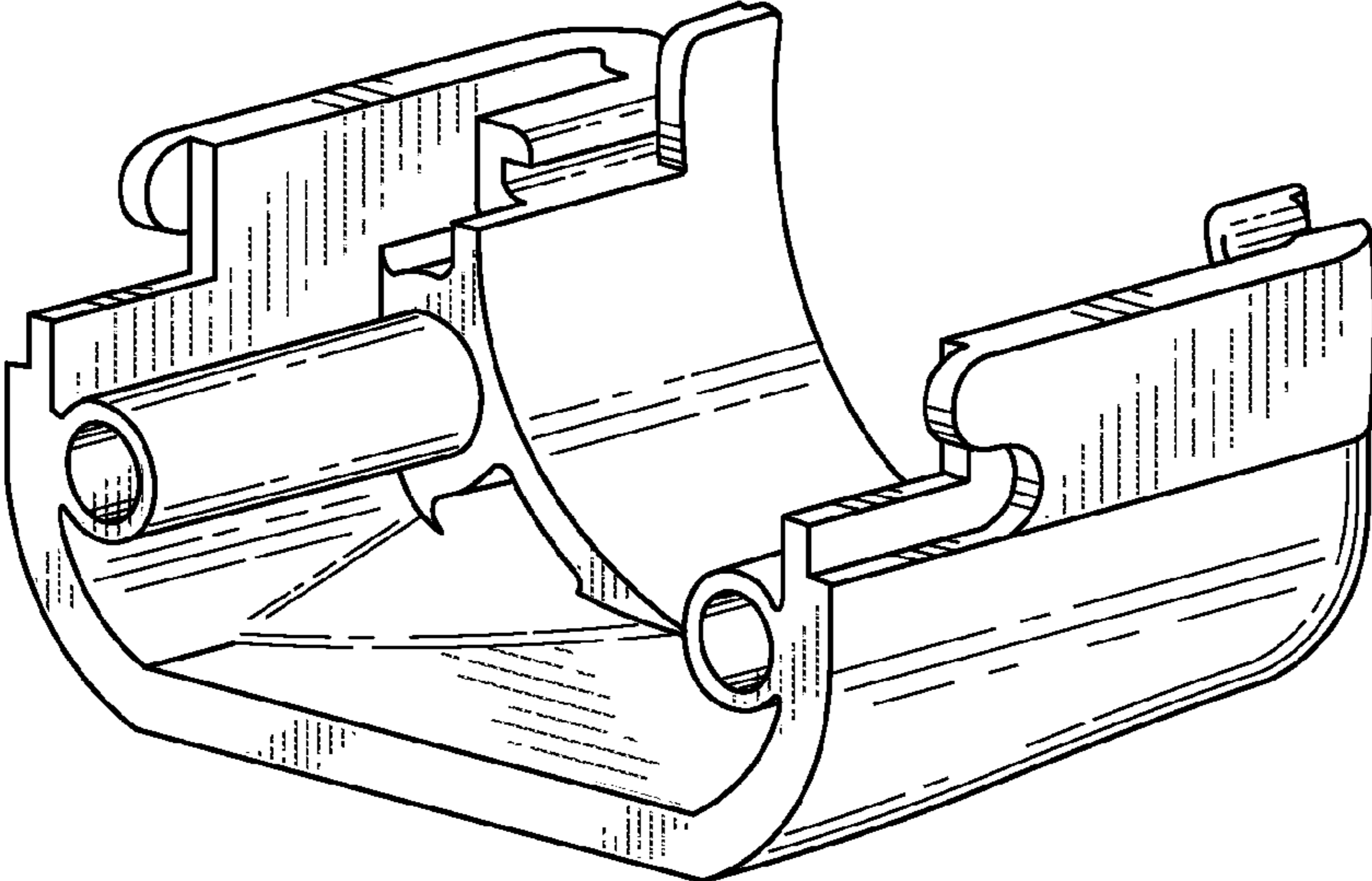
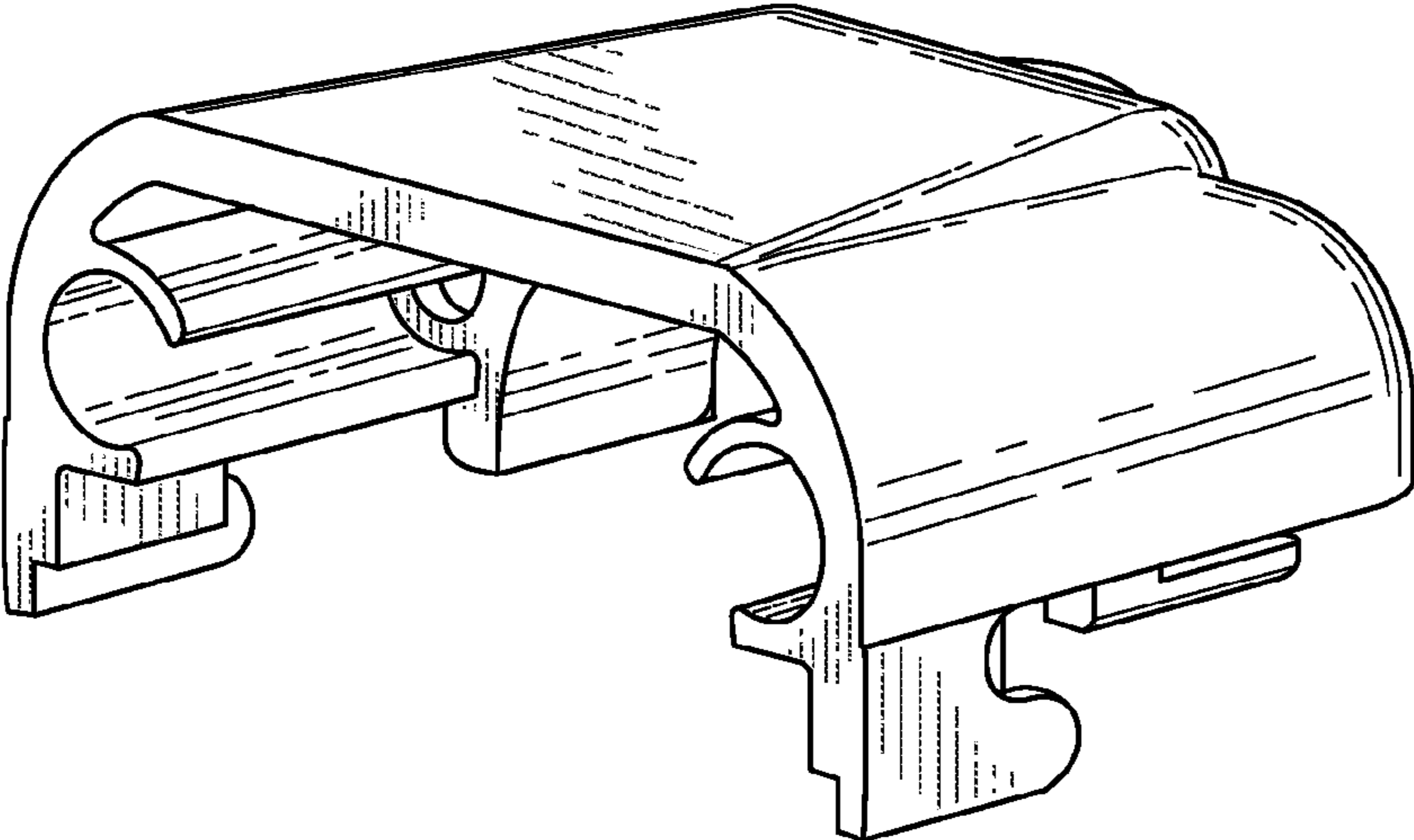


FIG. 2

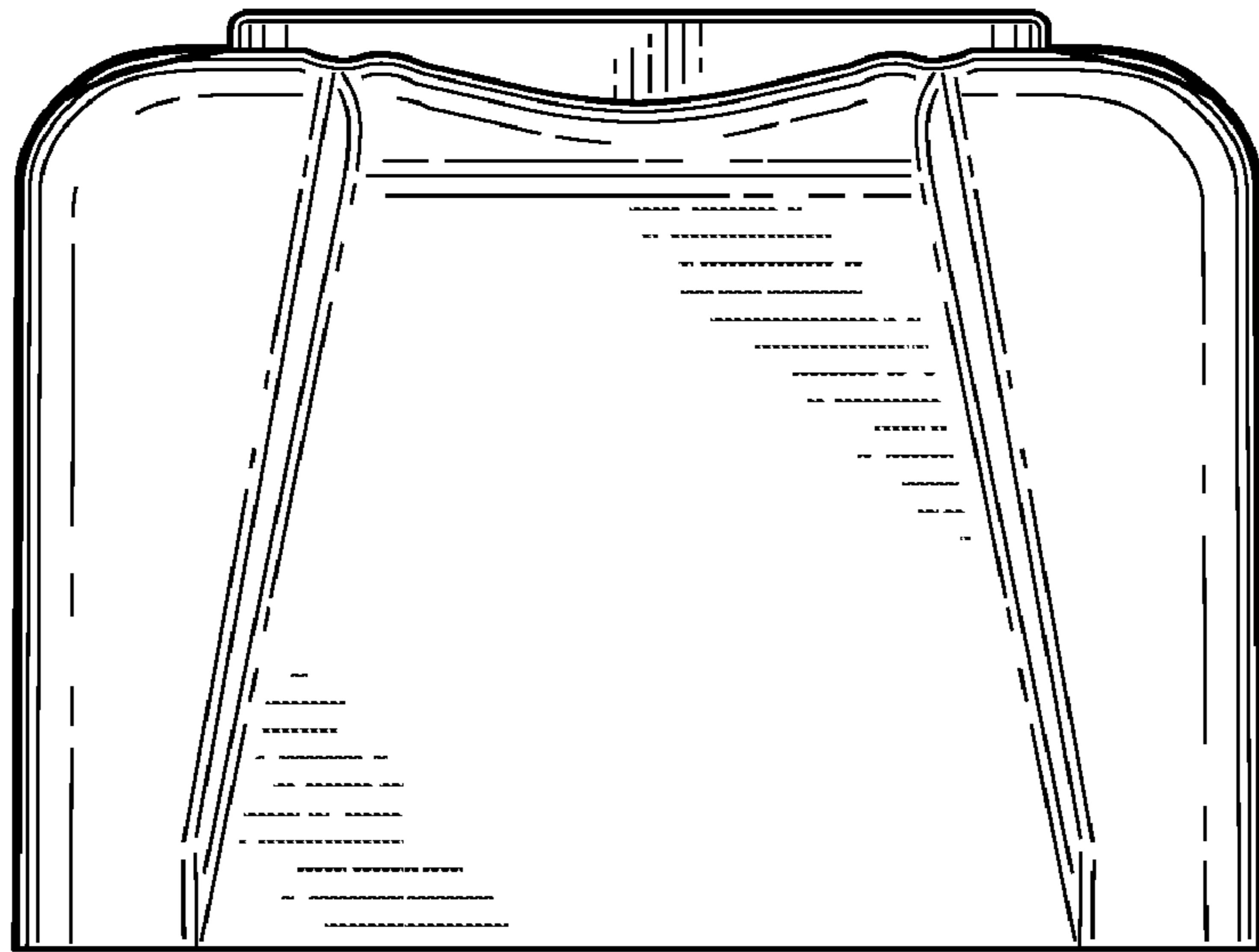


FIG. 3

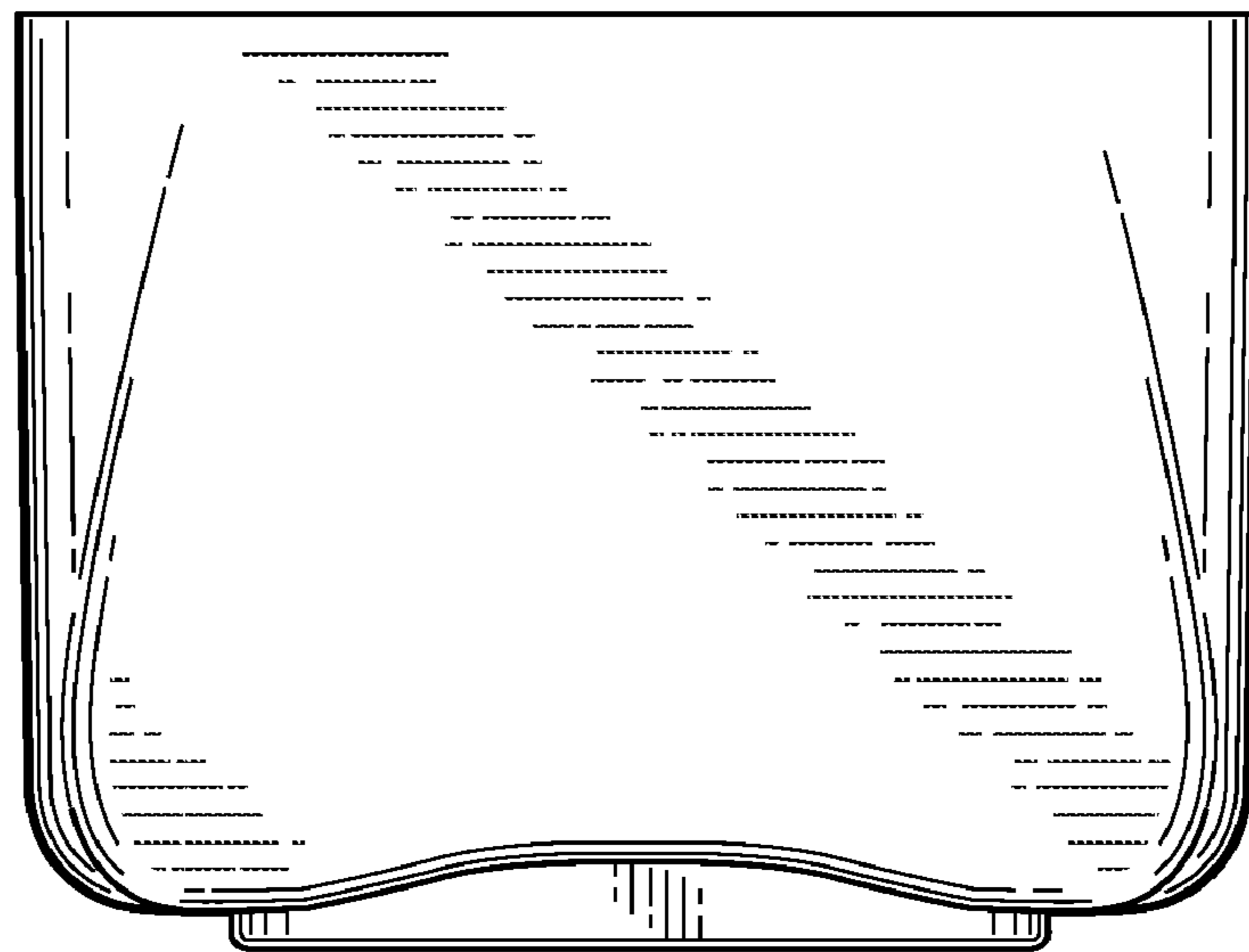


FIG. 4

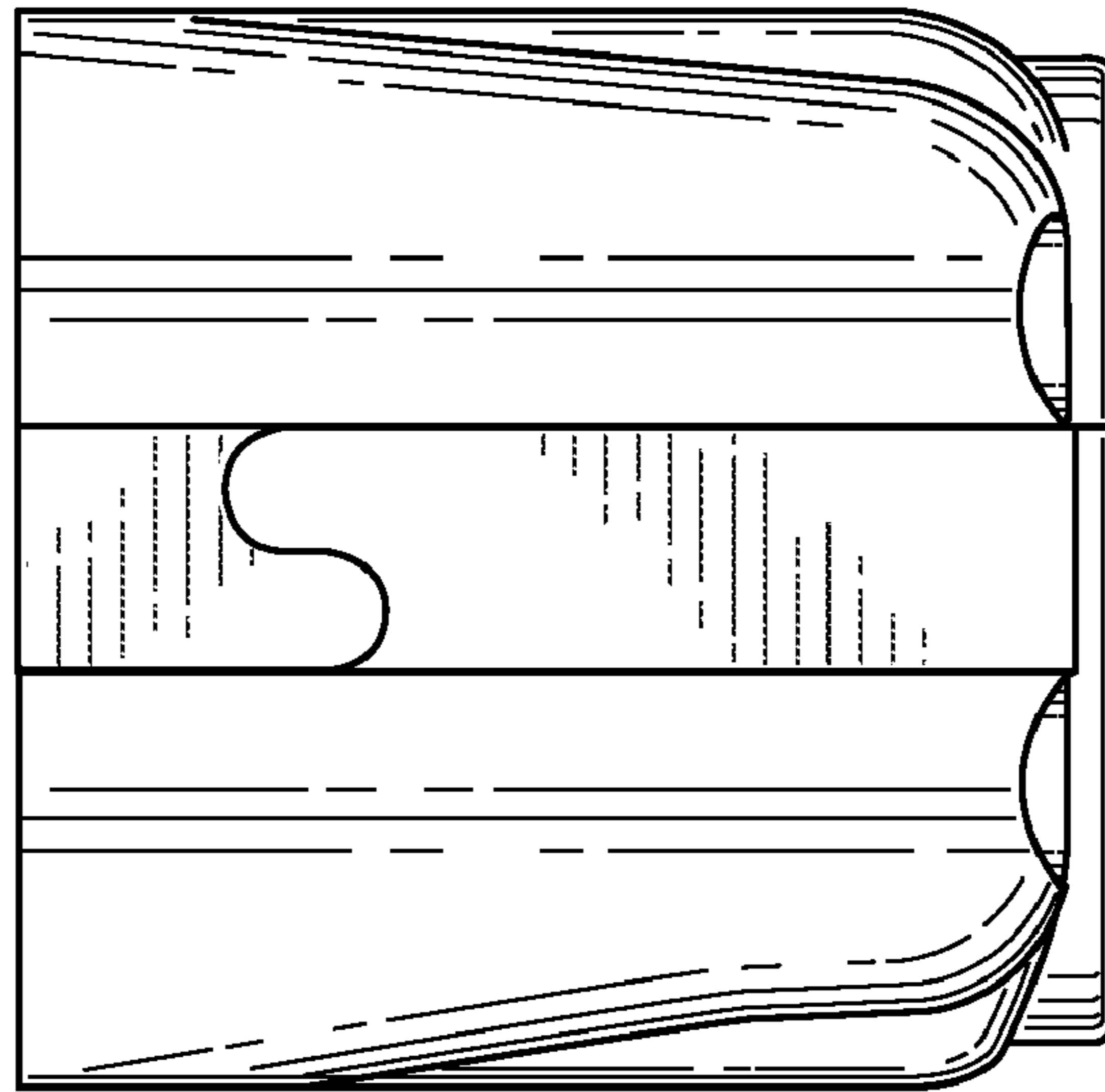


FIG. 5

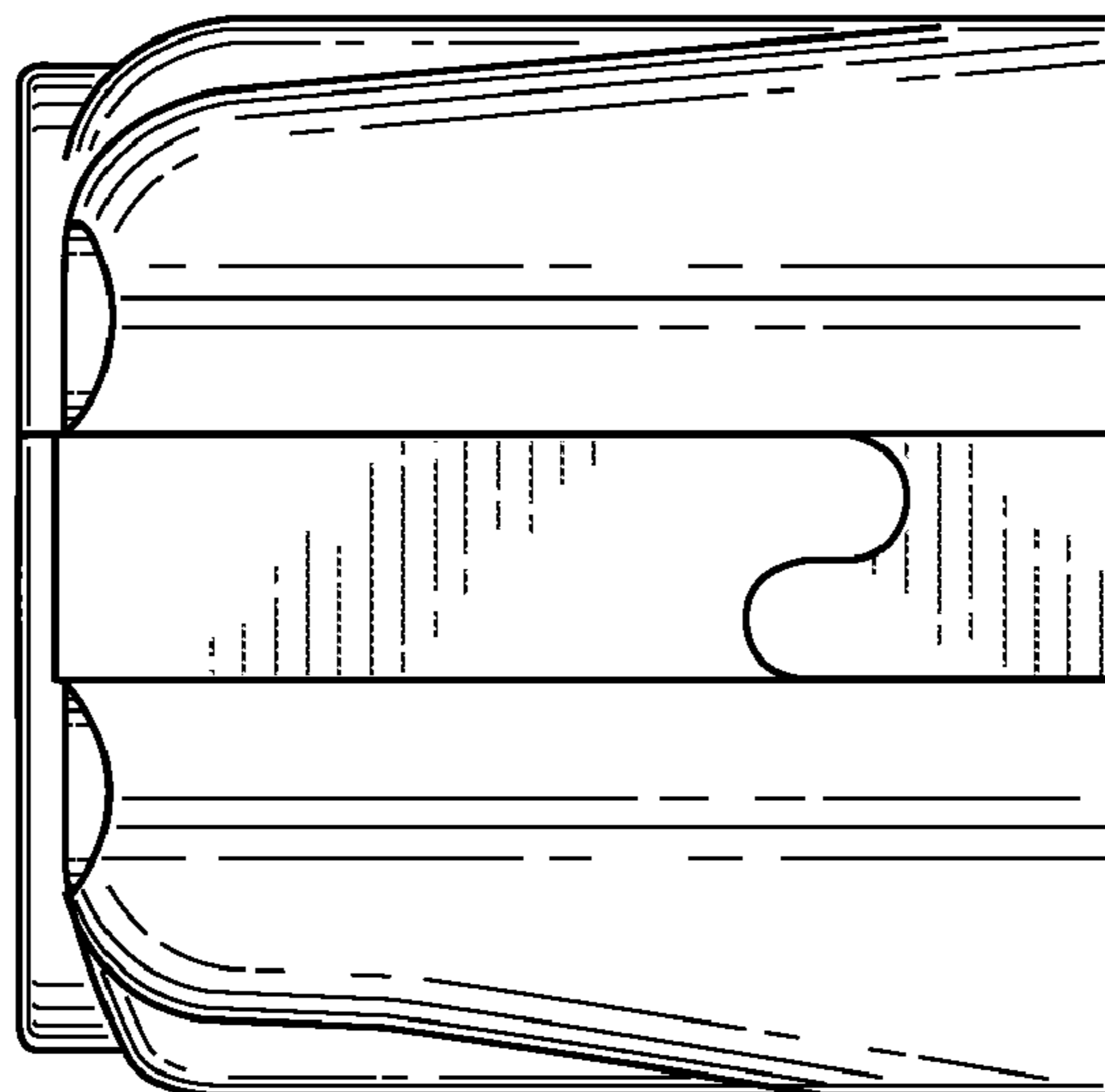


FIG. 6



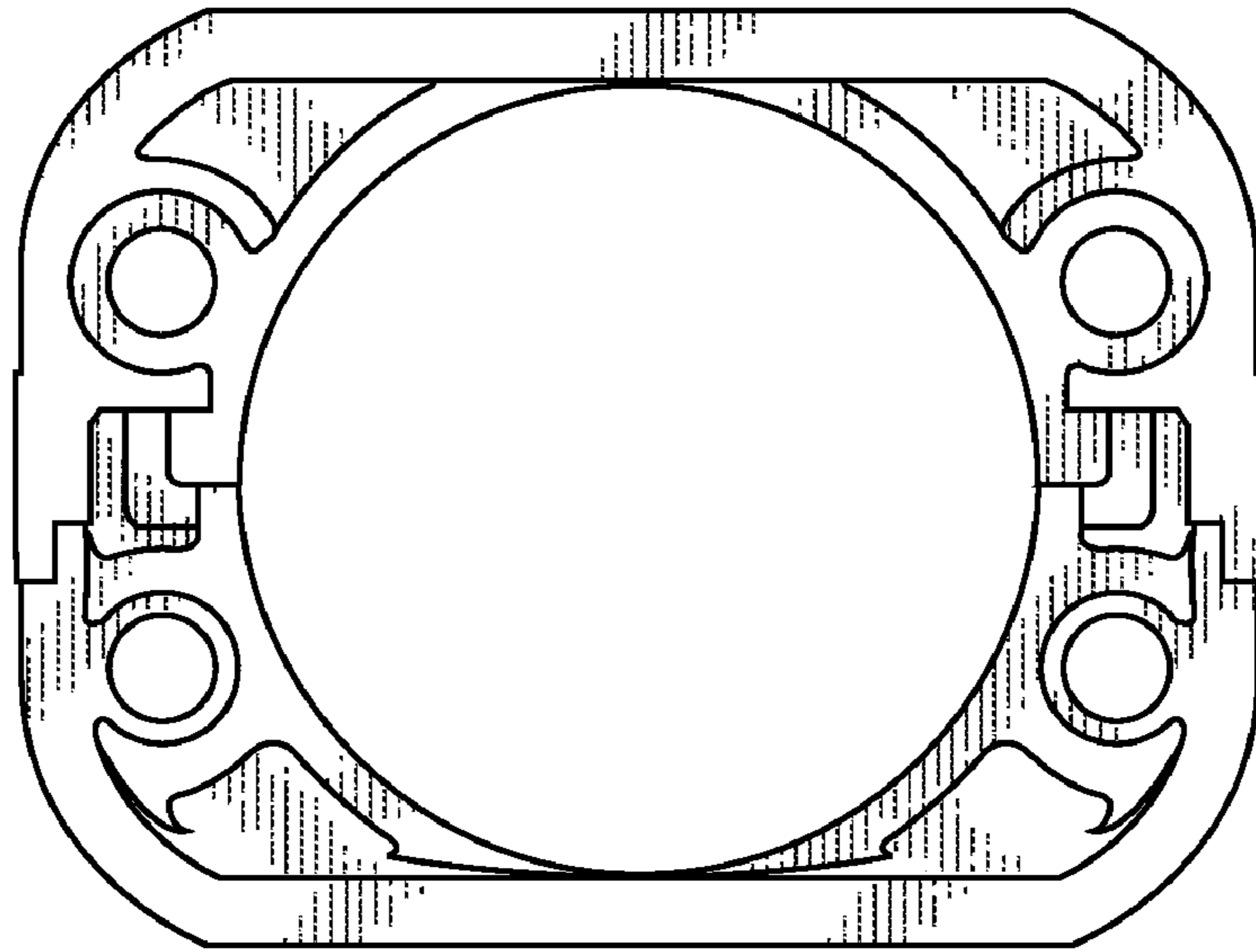


FIG. 7

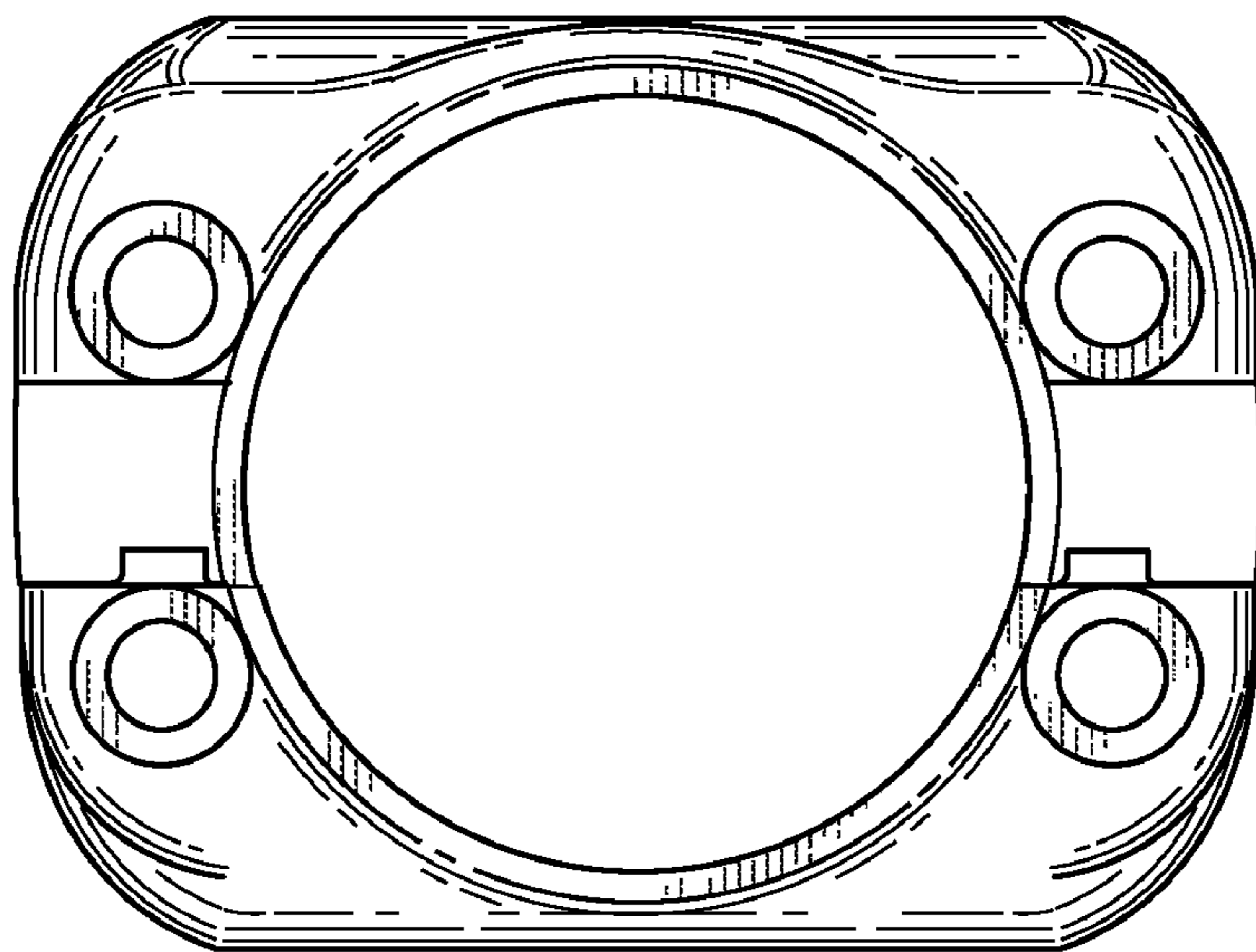


FIG. 8

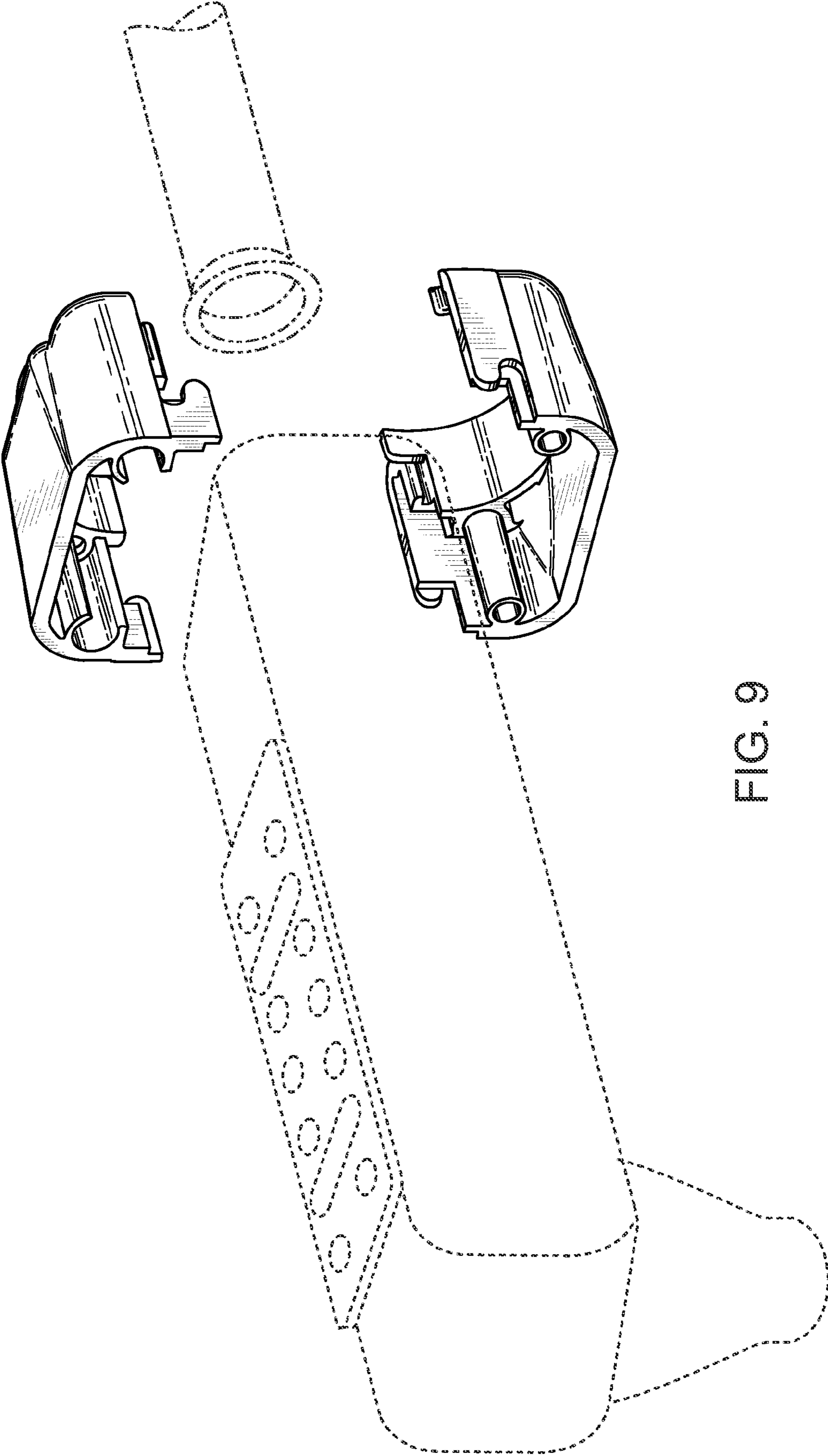


FIG. 9

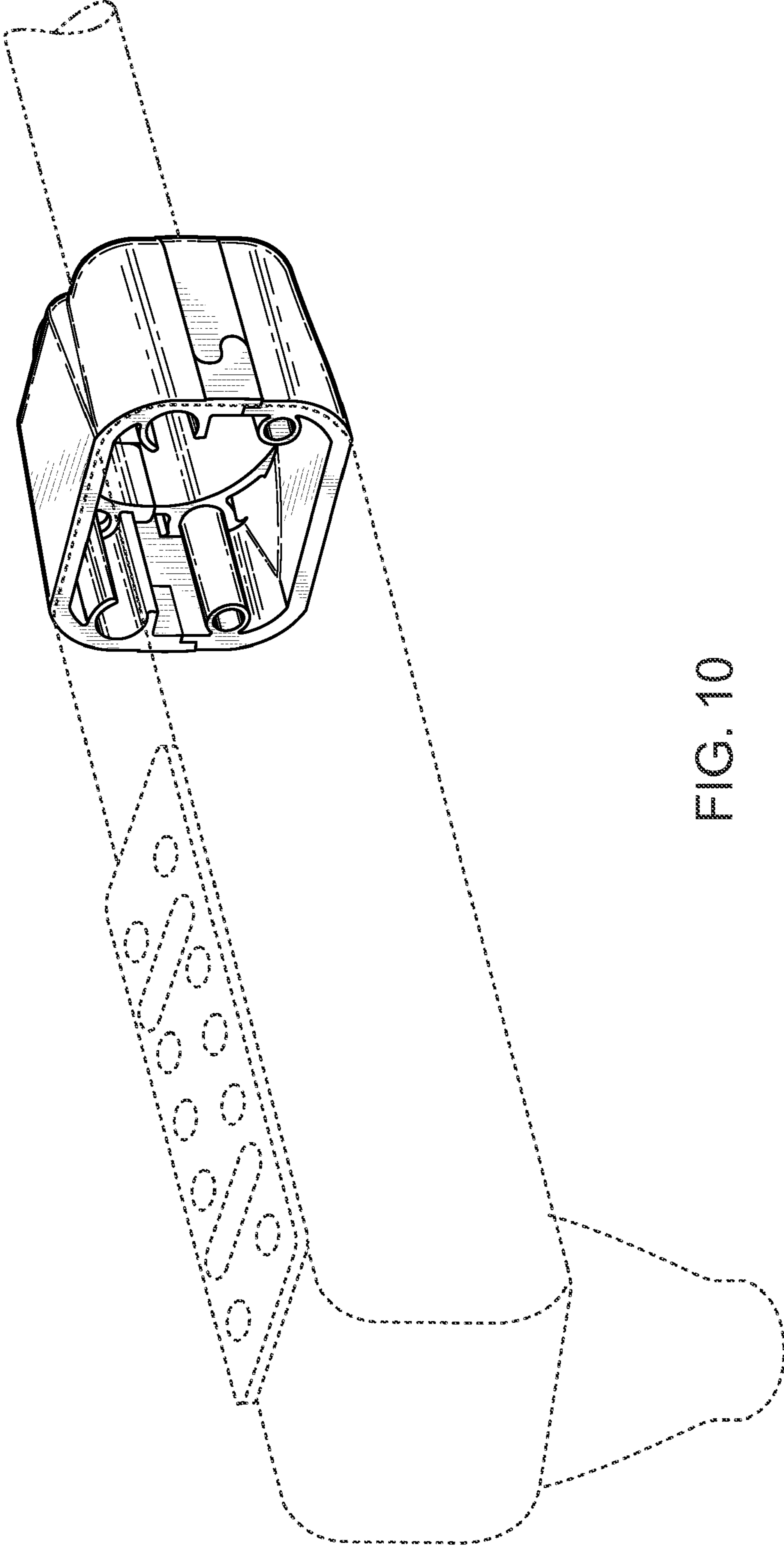


FIG. 10