



US00D626372S

(12) **United States Design Patent**
Taggart et al.

(10) **Patent No.:** **US D626,372 S**

(45) **Date of Patent:** **** Nov. 2, 2010**

(54) **DRIP TRAY FOR BEVERAGE DISPENSER**

(75) Inventors: **Jeffrey S. Taggart**, McLean, VA (US);
Marc L. Vitantonio, South Russell, OH
(US); **William E. Rabbitt**, Solon, OH
(US); **John W. Nottingham**, Bratenahl,
OH (US); **Jay Tapper**, Palm Beach
Gardens, FL (US); **Patrick W. Brown**,
Auburn, OH (US)

(73) Assignee: **On Tap LLC**, Palm Beach Gardens, FL
(US)

(**) Term: **14 Years**

(21) Appl. No.: **29/341,637**

(22) Filed: **Aug. 10, 2009**

(51) **LOC (9) Cl.** **07-99**

(52) **U.S. Cl.** **D7/397; D7/313**

(58) **Field of Classification Search** D7/398,
D7/397, 395, 393, 313, 306, 307, 308, 311;
D8/107; D34/39; D23/202; 222/113, 469,
222/185.1; 40/473

See application file for complete search history.

(56) **References Cited**

U.S. PATENT DOCUMENTS

D281,943 S * 12/1985 Rosalino D7/309
D290,679 S * 7/1987 Thorpe D7/397
D361,691 S * 8/1995 Maass, Jr. D7/309

D401,474 S * 11/1998 Leatherman et al. D7/397
D414,371 S * 9/1999 Seiffert D7/309
D442,027 S * 5/2001 Peters et al. D7/397
D478,765 S * 8/2003 Seum et al. D7/308
D495,188 S * 8/2004 Cahen D7/309
D502,627 S * 3/2005 Cahen D7/306
D536,917 S * 2/2007 McWilliam D7/309
D600,060 S * 9/2009 Fletcher et al. D7/306

* cited by examiner

Primary Examiner—Marianne Pandozzi

(74) *Attorney, Agent, or Firm*—Fay Sharpe LLP

(57) **CLAIM**

The ornamental design for a drip tray for beverage dispenser,
as shown and described.

DESCRIPTION

FIG. 1 is a front perspective view of drip tray for a beverage
dispenser showing our new design;

FIG. 2 is a front elevation view thereof;

FIG. 3 is a right side elevation view thereof;

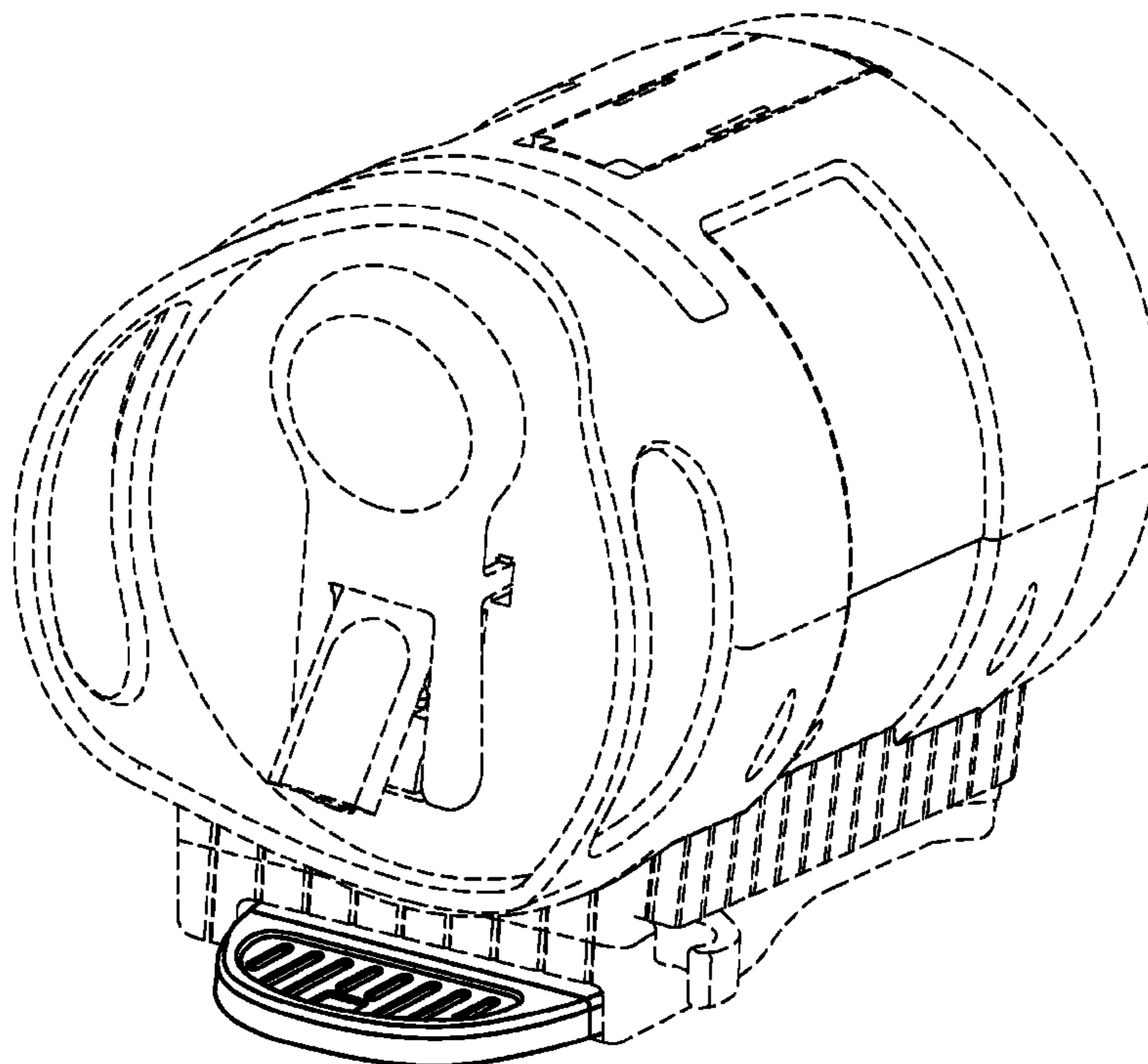
FIG. 4 is a left side elevation view thereof; and,

FIG. 5 is a top plan view thereof.

Bottom forms no part of claimed design.

The broken lines in the drawings are included for the purpose
of illustration and form no part of the claimed design.

1 Claim, 5 Drawing Sheets



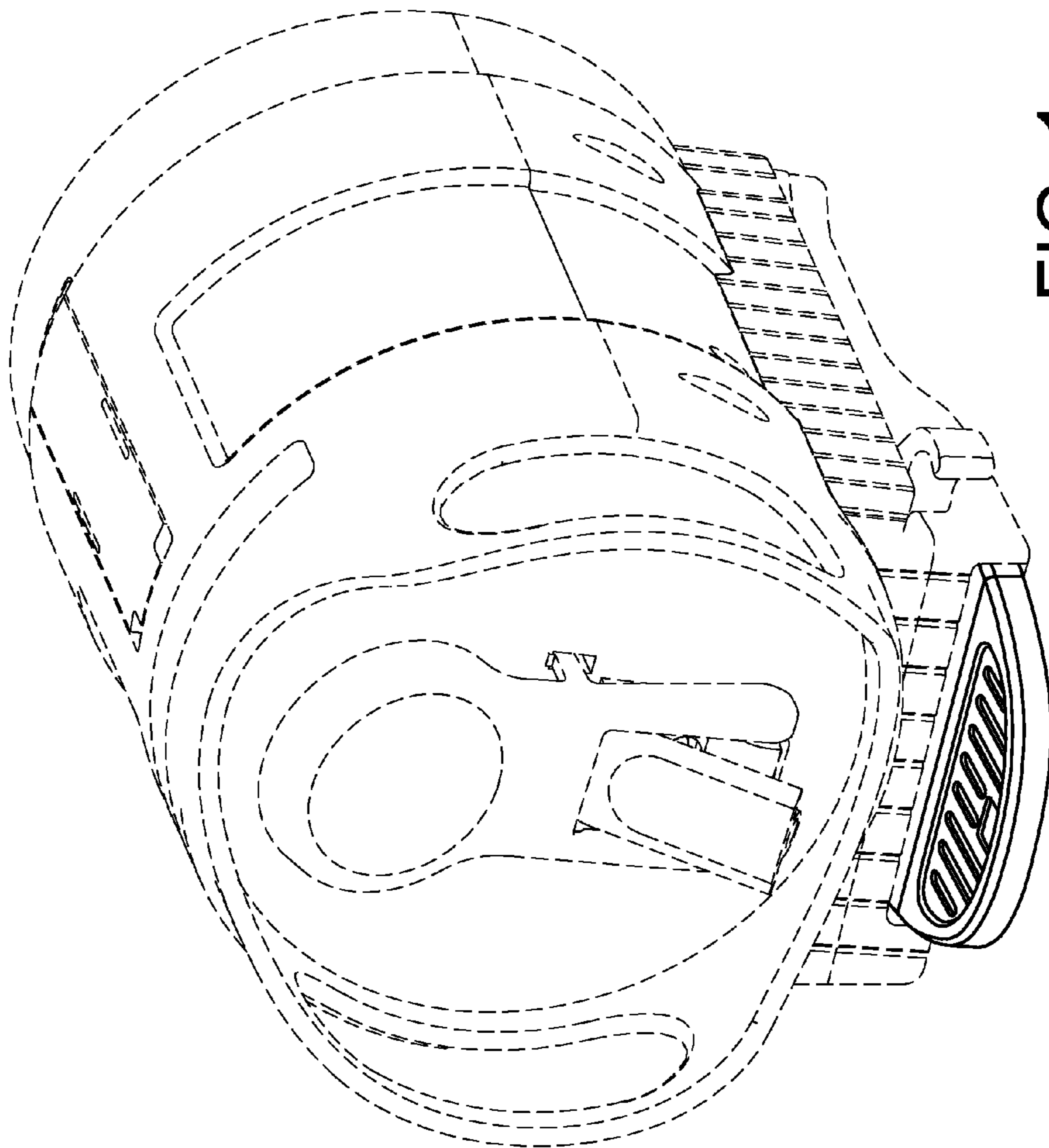


FIG. 1

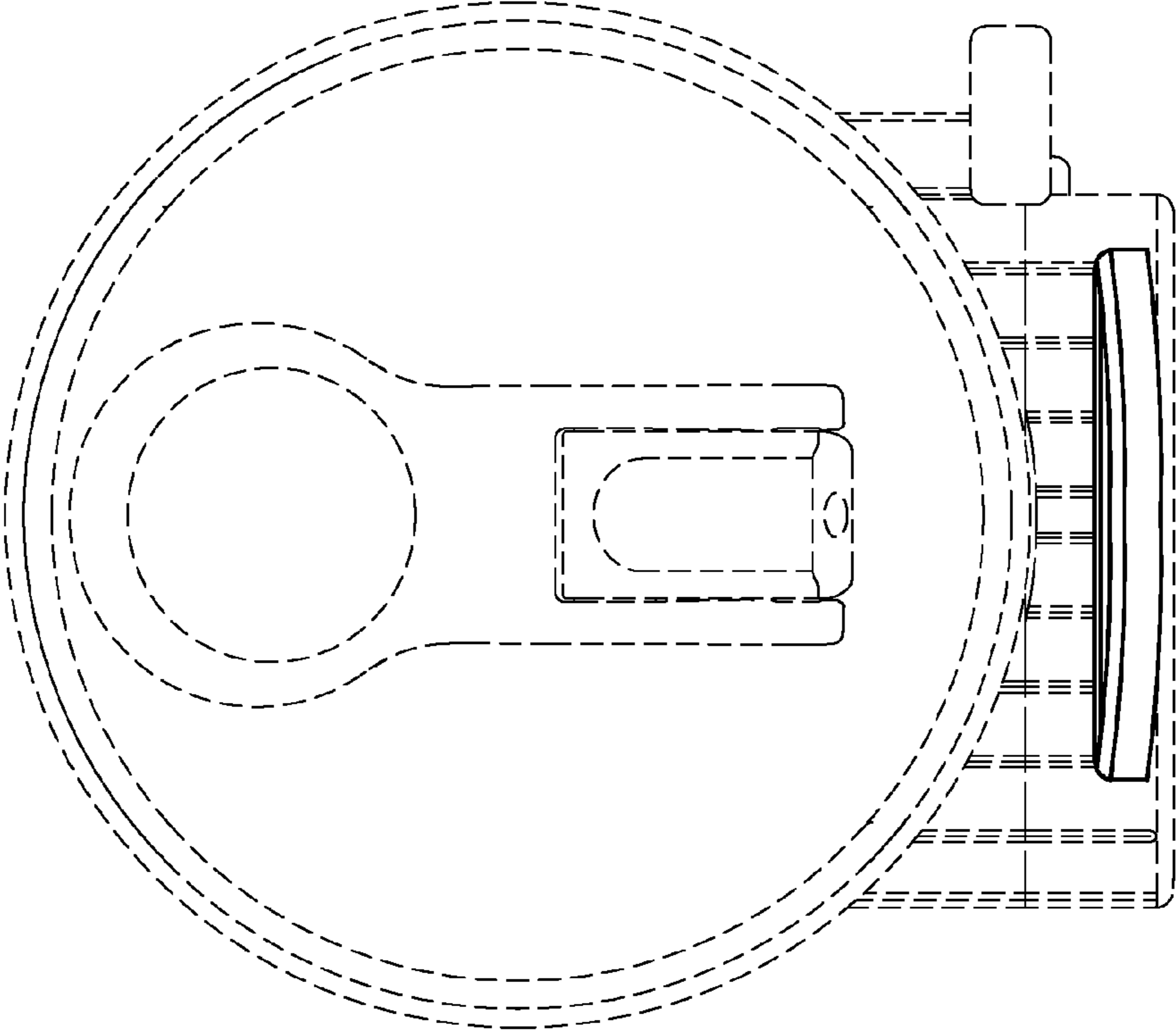


FIG. 2

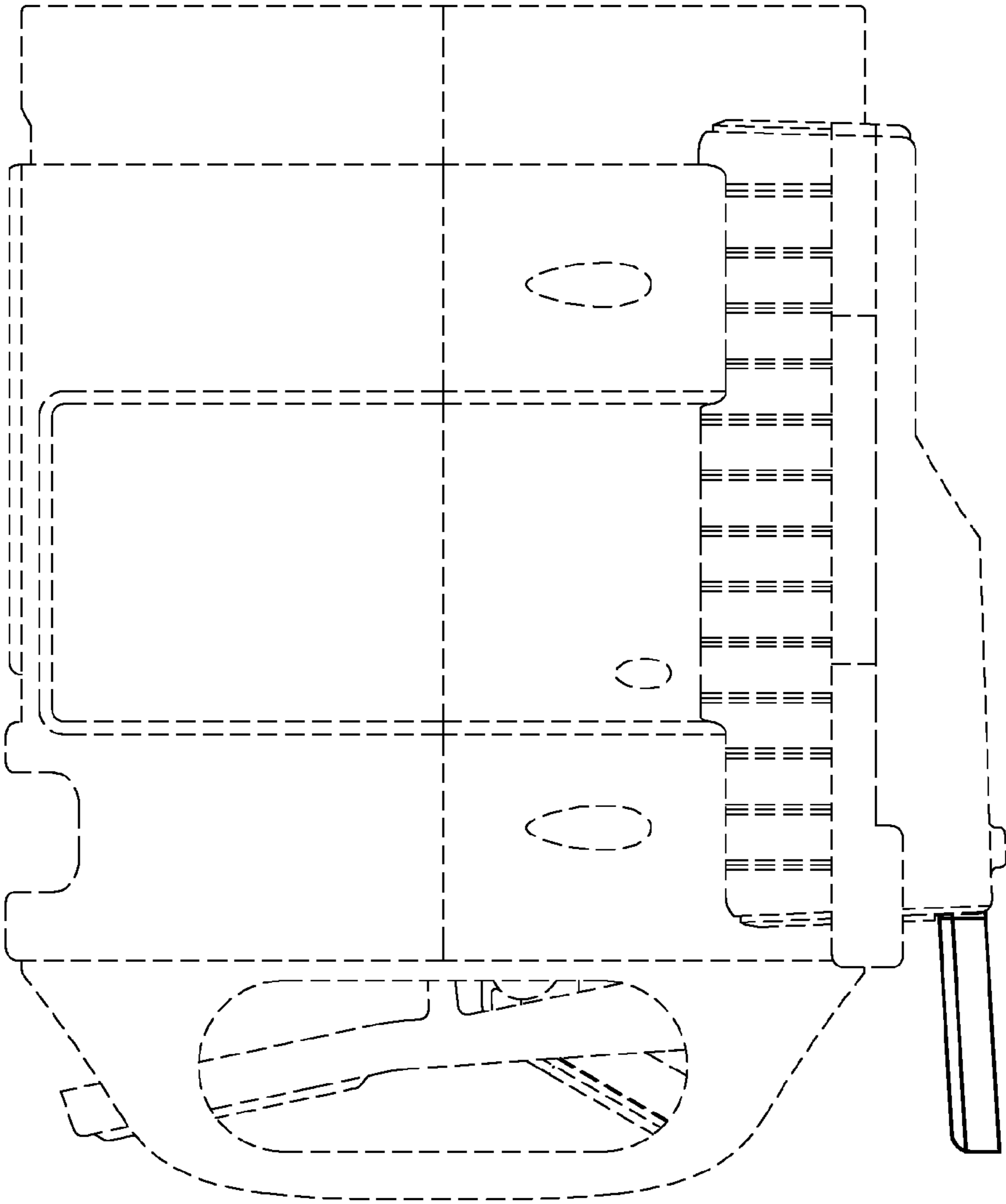


FIG. 3

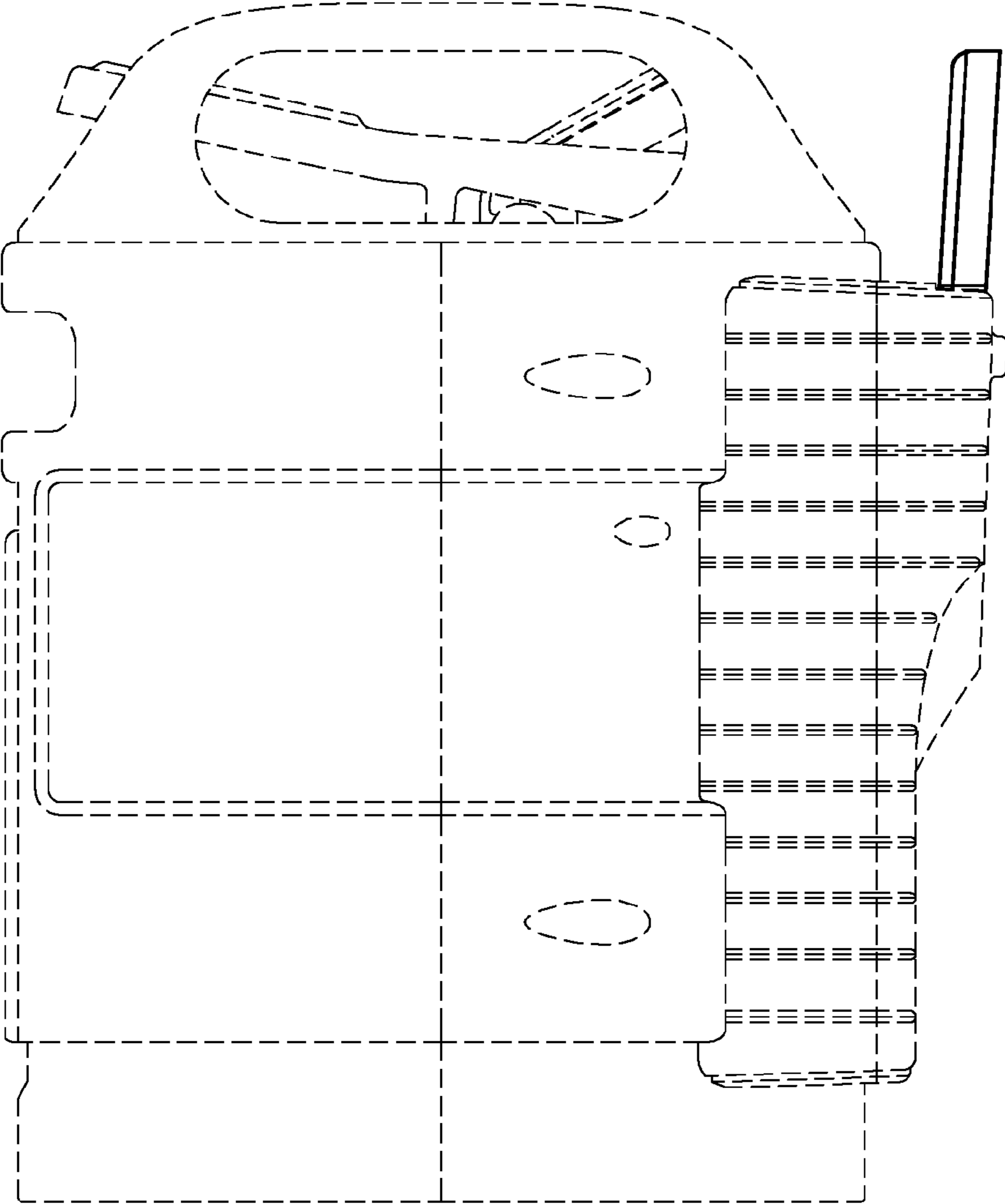


FIG. 4

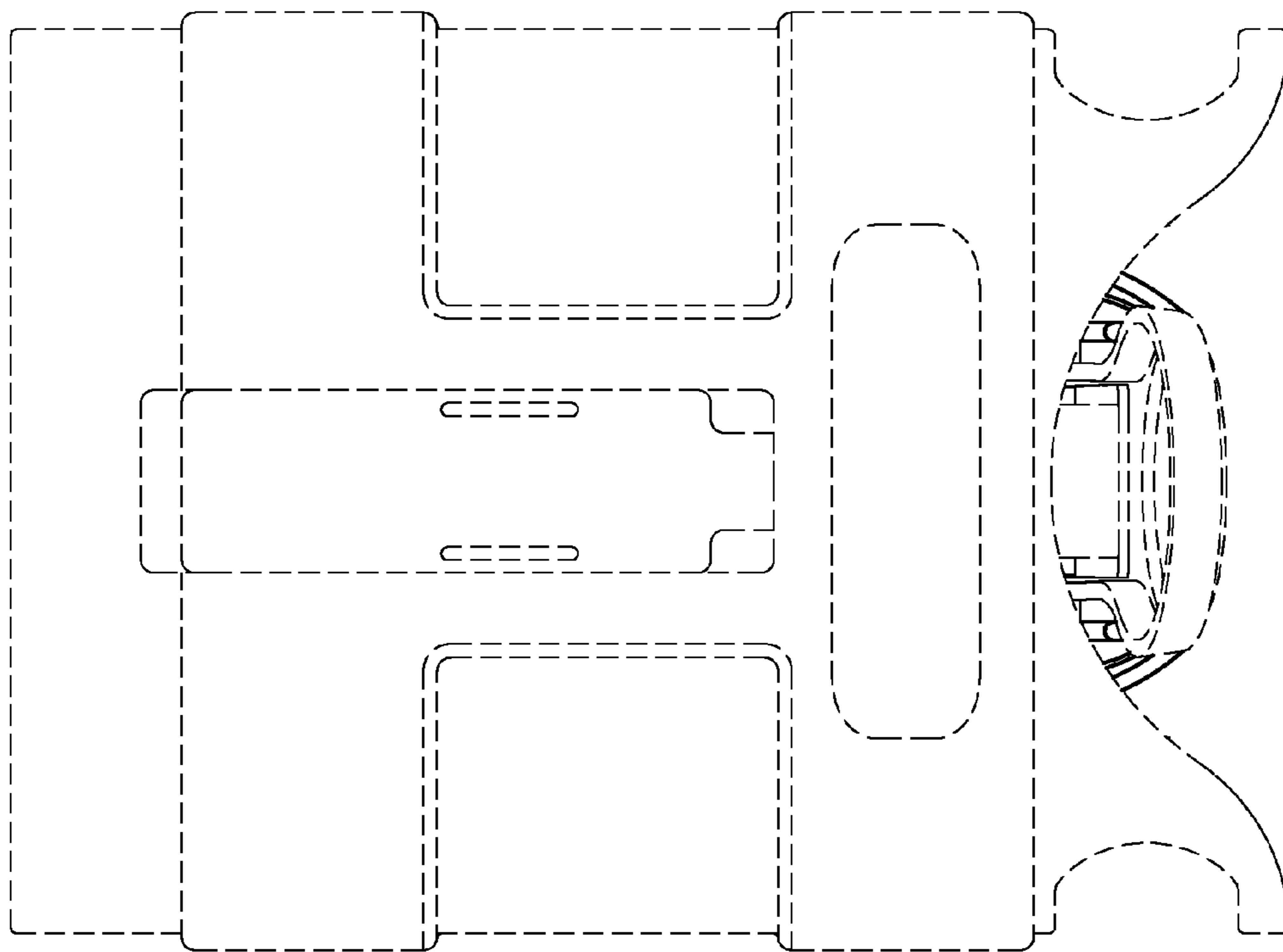


FIG. 5