



US00D626370S

(12) **United States Design Patent**  
**Baek**

(10) **Patent No.:** **US D626,370 S**

(45) **Date of Patent:** **\*\* Nov. 2, 2010**

(54) **MICROWAVE OVEN**

(75) Inventor: **Byung Kook Baek**, Kyunggi-do (KR)

(73) Assignee: **Samsung Electronics Co., Ltd.**, Suwon (KR)

(\*\*) Term: **14 Years**

(21) Appl. No.: **29/342,551**

(22) Filed: **Aug. 27, 2009**

(51) **LOC (9) Cl.** ..... **07-02**

(52) **U.S. Cl.** ..... **D7/351**

(58) **Field of Classification Search** ..... D7/350.1,  
D7/350.3, 350.4, 351, 402, 405-406; 219/678,  
219/756-758, 740; 126/19 M, 275 E, 273 A  
See application file for complete search history.

(56) **References Cited**

**U.S. PATENT DOCUMENTS**

D285,893 S *	9/1986	Mizuma et al.	.....	D7/405
D297,392 S *	8/1988	Han	.....	D7/351
D302,927 S *	8/1989	Yoshida	.....	D7/351
D304,542 S *	11/1989	Yoo	.....	D7/351
D312,553 S *	12/1990	Komar	.....	D7/351
D318,396 S *	7/1991	Jung	.....	D7/351

D356,006 S *	3/1995	Saimen et al.	.....	D7/351
D481,582 S *	11/2003	Seum et al.	.....	D7/350.1
D521,799 S *	5/2006	Ledingham et al.	.....	D7/350.1
D607,687 S *	1/2010	Baek et al.	.....	D7/351
D613,990 S *	4/2010	Baek	.....	D7/351
D615,804 S *	5/2010	Baek	.....	D7/351

\* cited by examiner

*Primary Examiner*—Ruth McInroy

(74) *Attorney, Agent, or Firm*—Ladas & Parry LLP

(57) **CLAIM**

I claim the ornamental design for microwave oven, as shown.

**DESCRIPTION**

FIG. 1 is a top, front and right-side perspective view of a microwave oven showing our new design;  
FIG. 2 is a front elevational view thereof;  
FIG. 3 is a rear elevational view thereof;  
FIG. 4 is a left-side elevational view thereof;  
FIG. 5 is a right-side elevational view thereof;  
FIG. 6 is a top plan view thereof; and,  
FIG. 7 is a bottom plan view thereof.

**1 Claim, 4 Drawing Sheets**

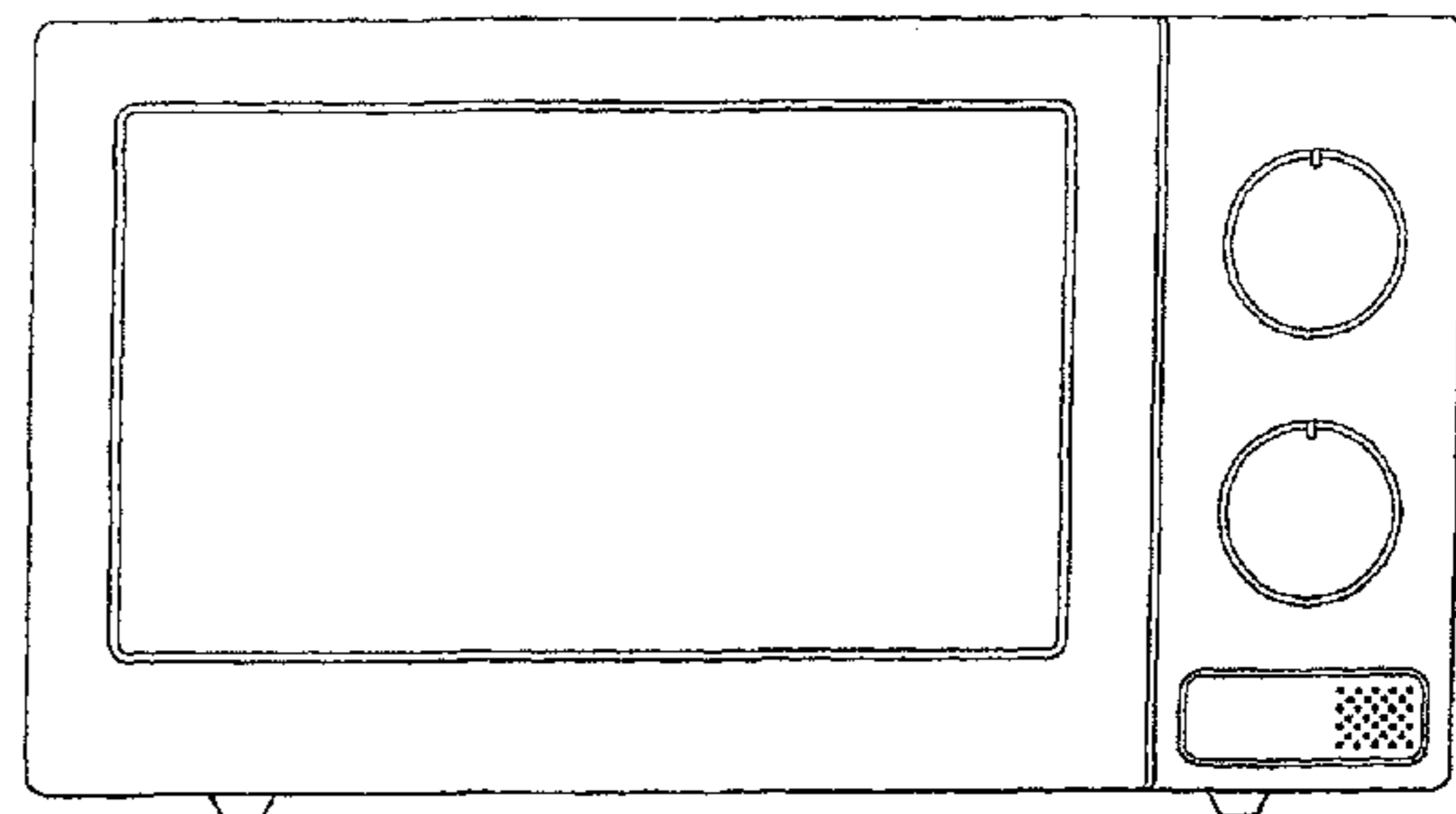
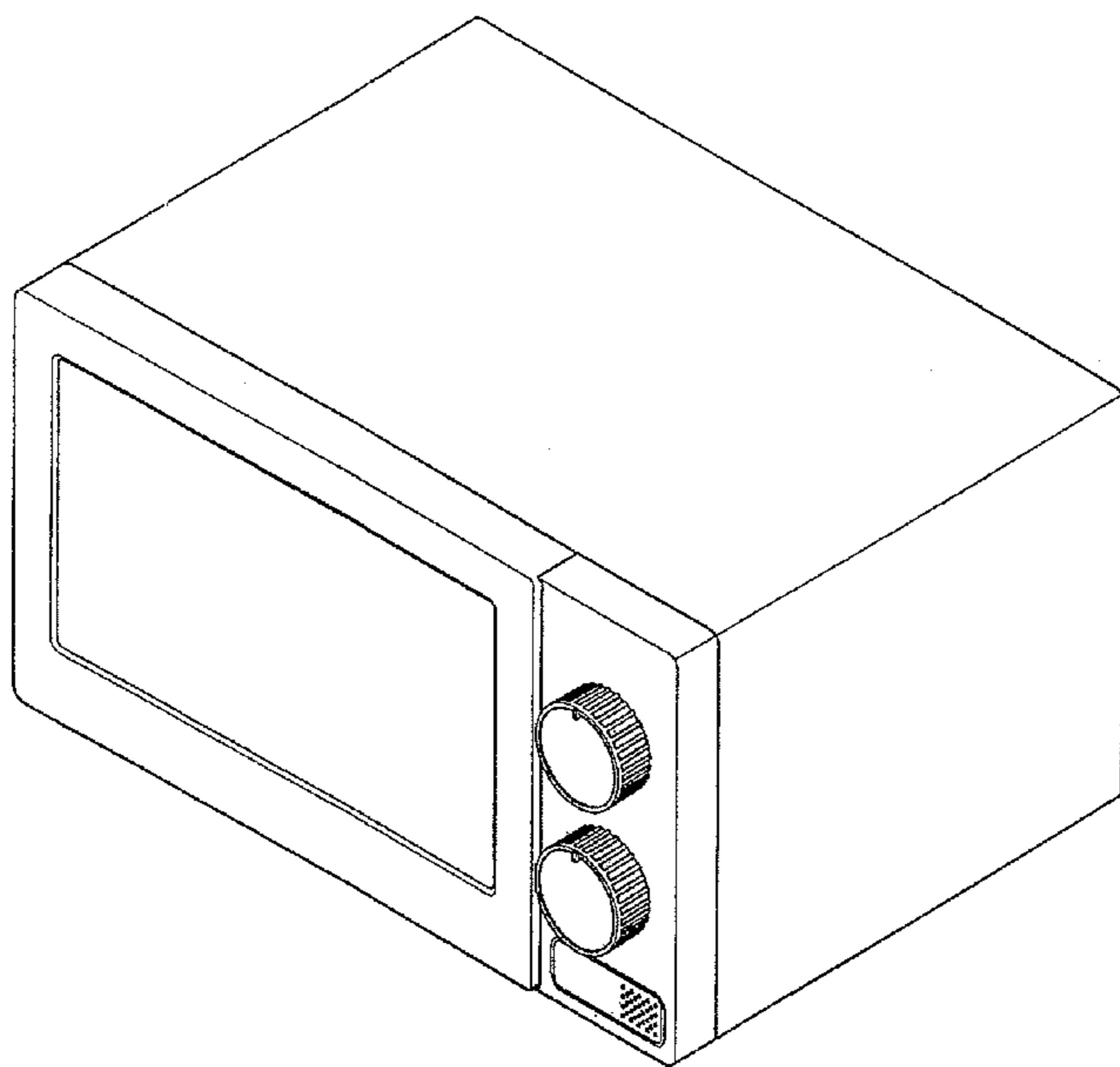
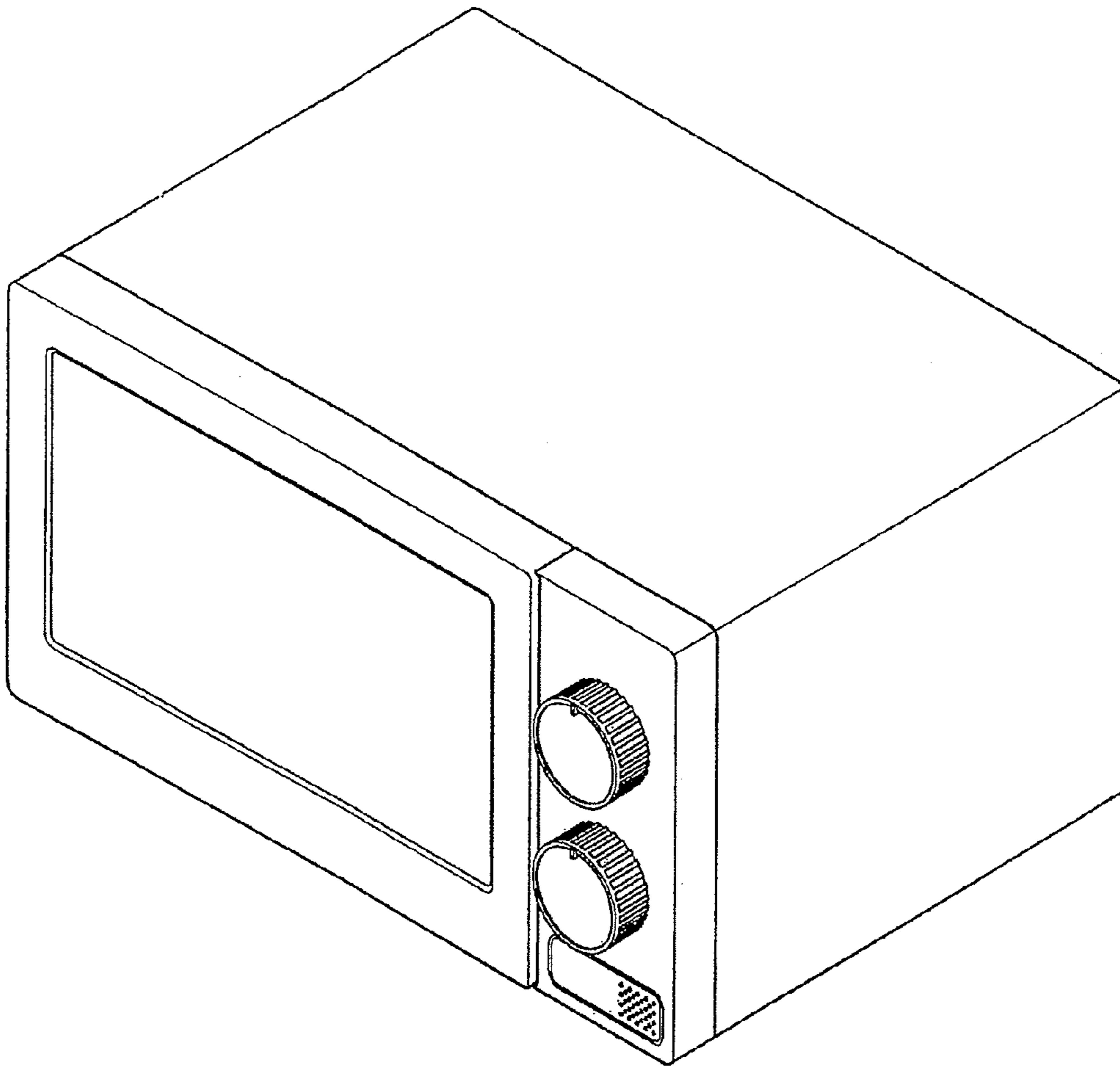
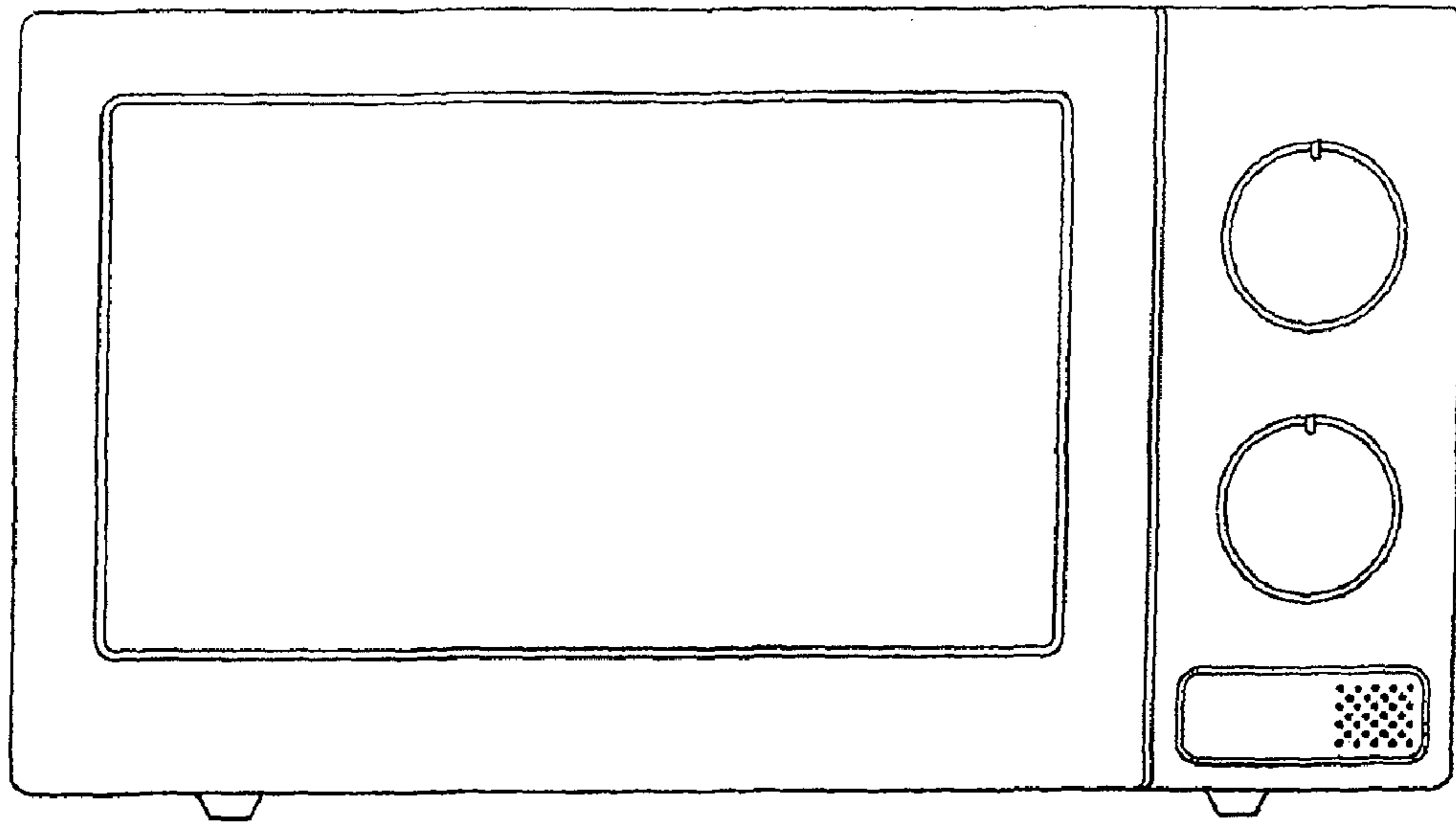


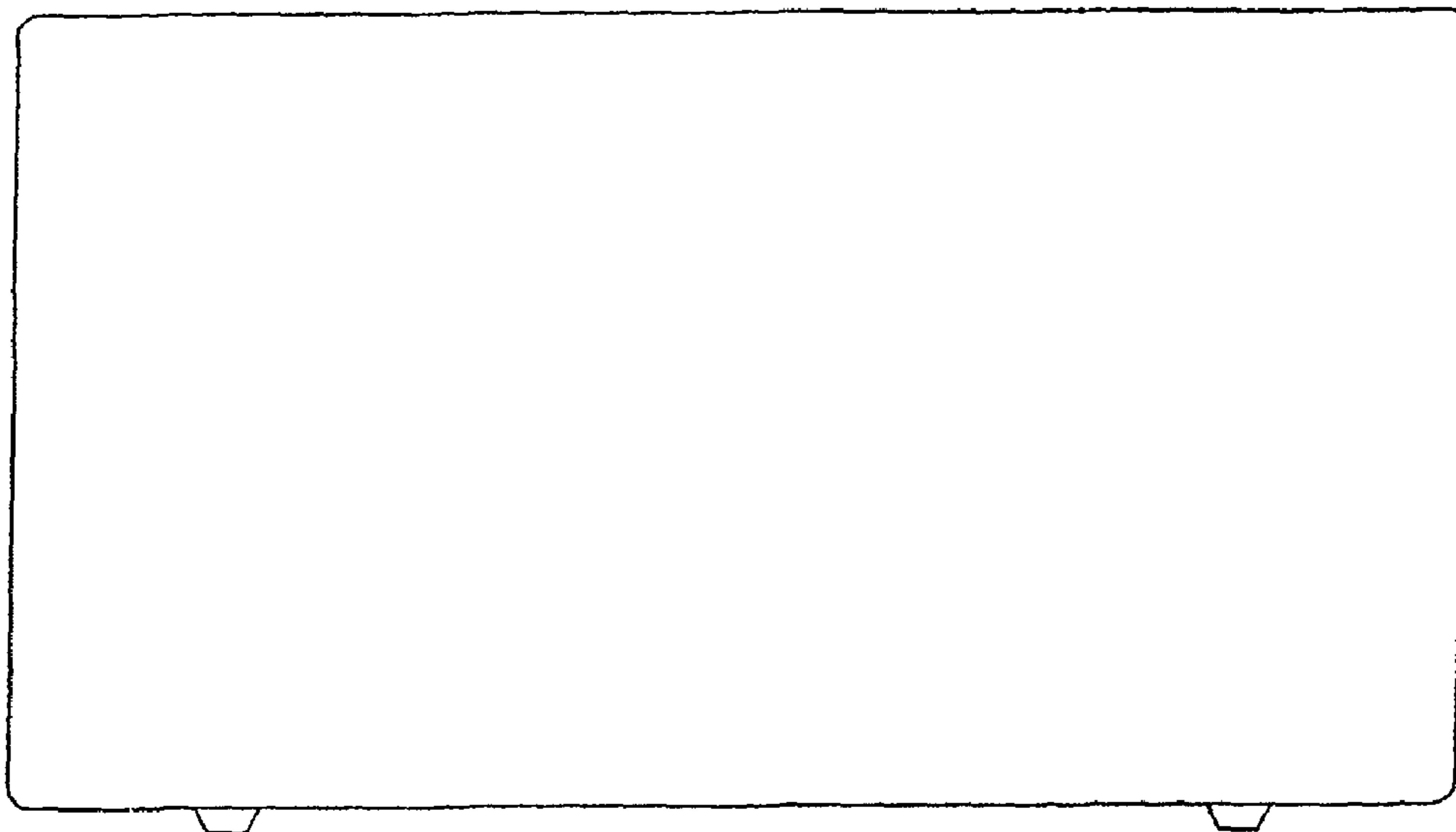
FIG. 1



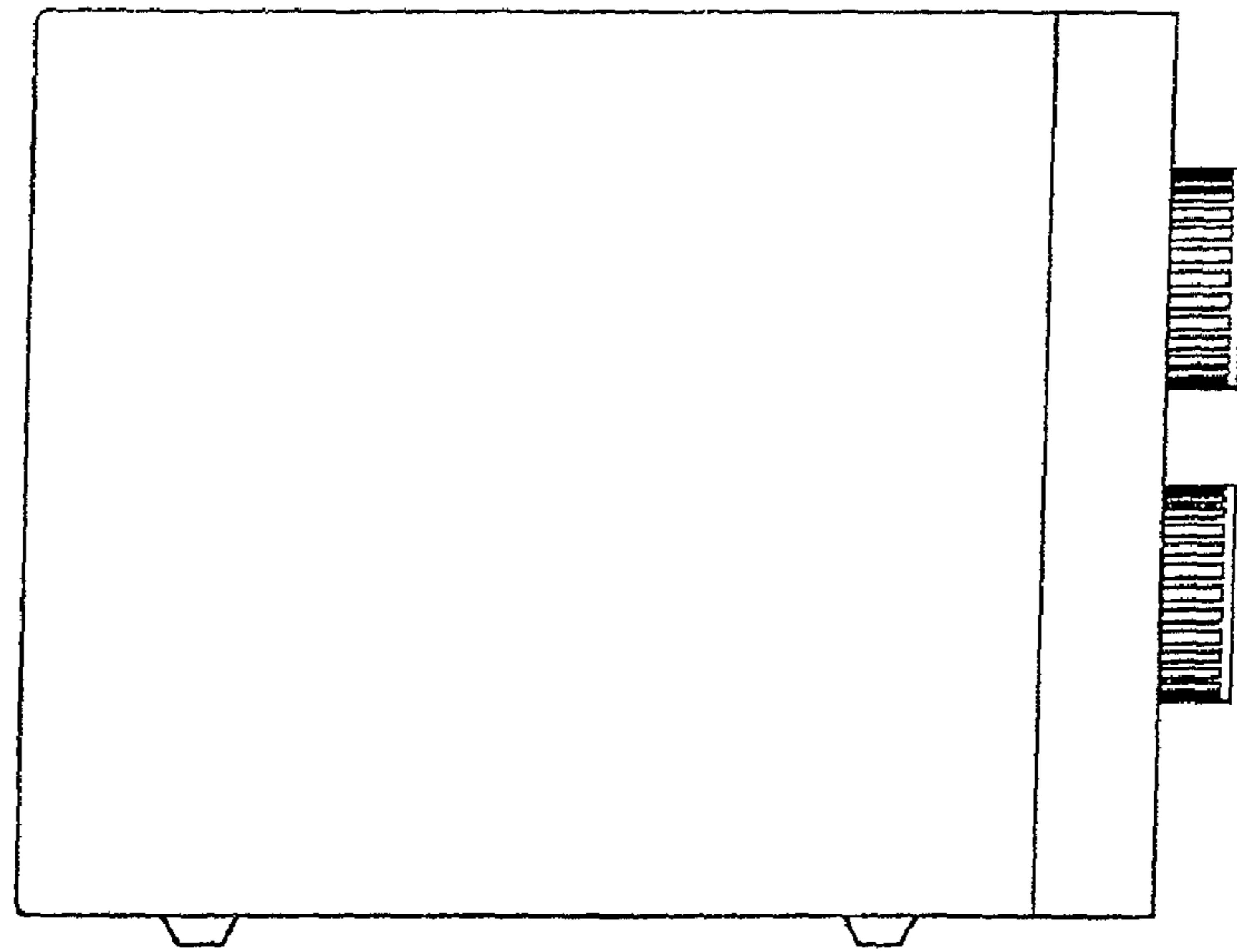
**FIG. 2**



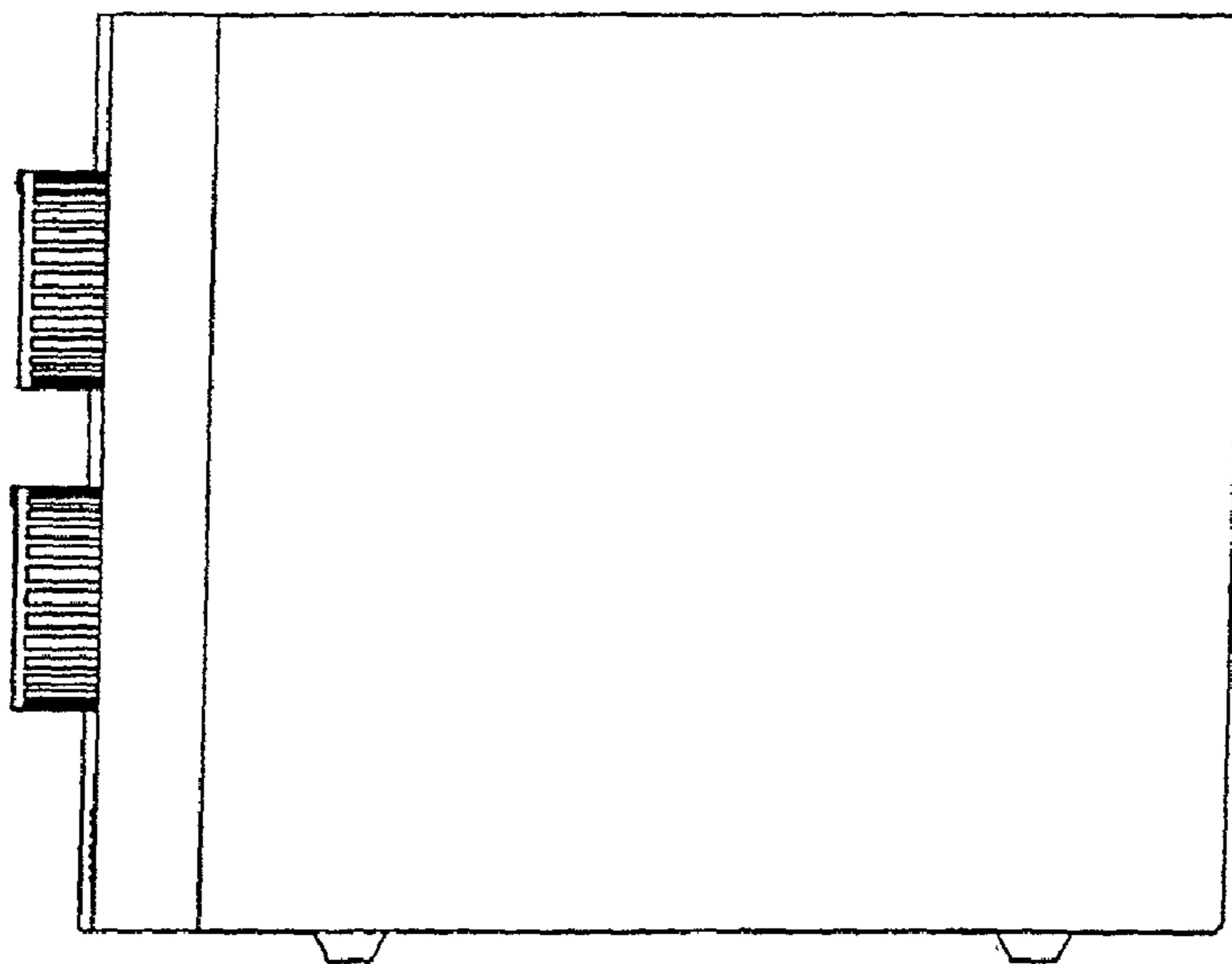
**FIG. 3**



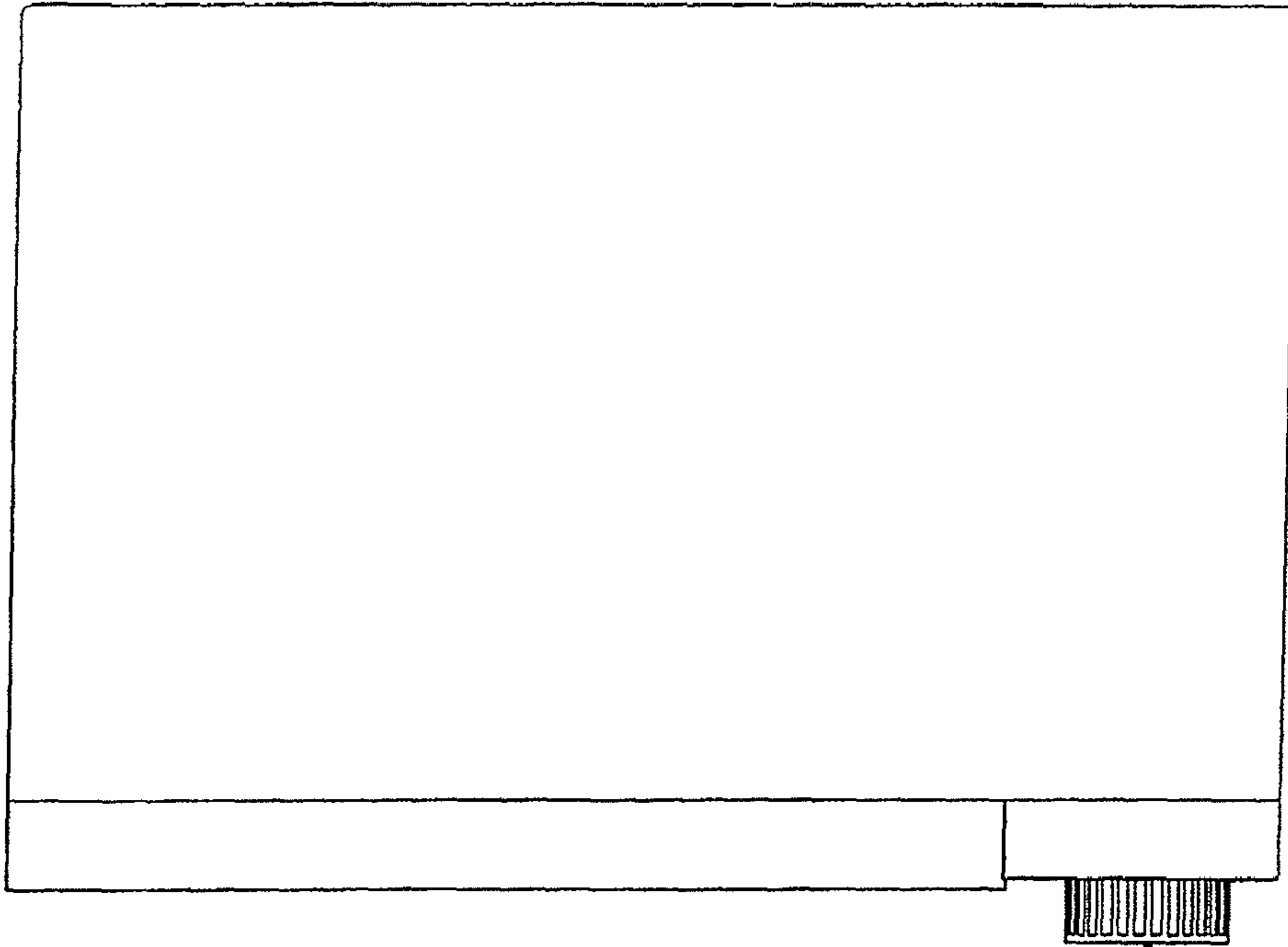
**FIG. 4**



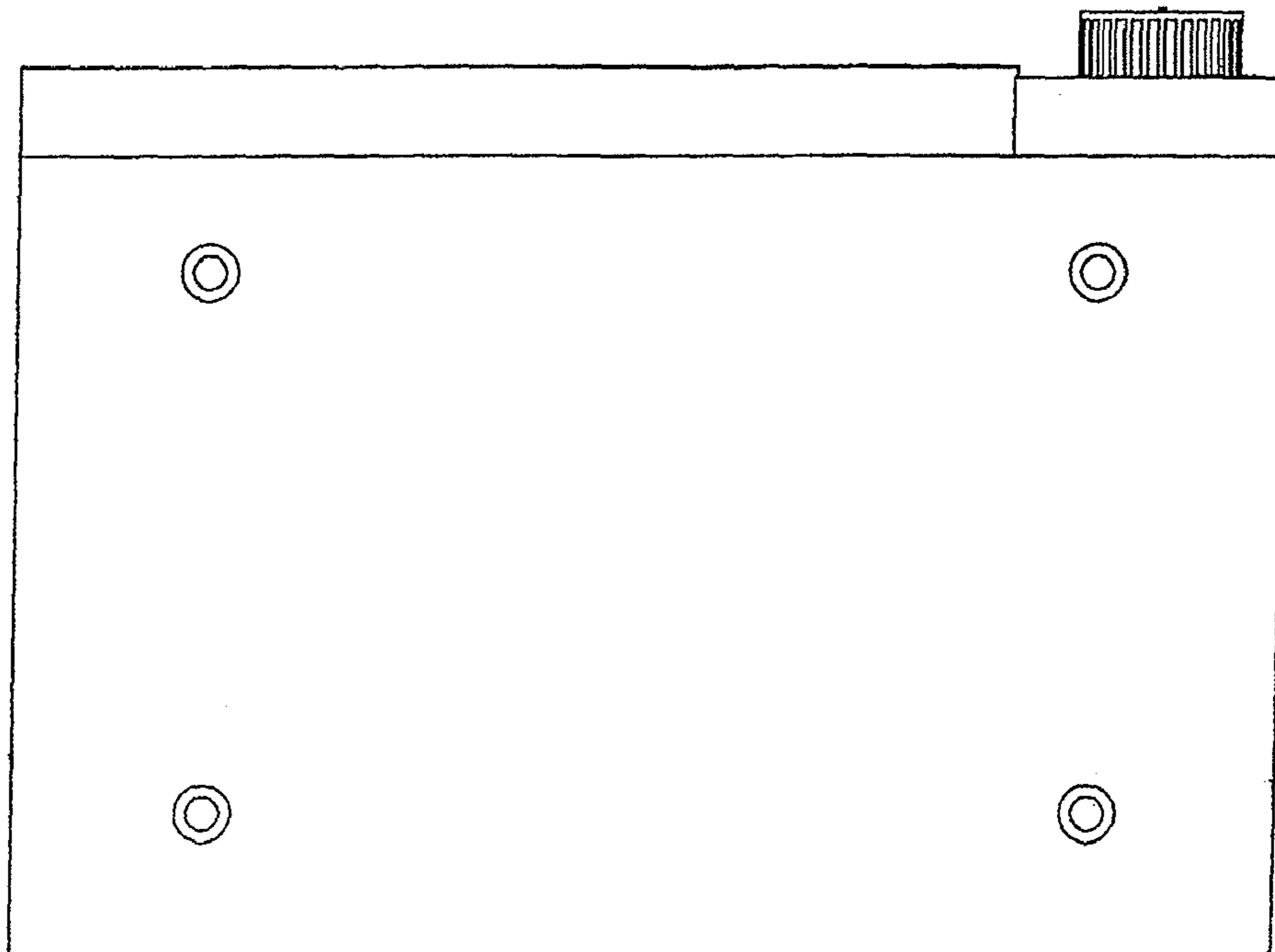
**FIG. 5**



**FIG. 6**



**FIG. 7**



UNITED STATES PATENT AND TRADEMARK OFFICE  
**CERTIFICATE OF CORRECTION**

PATENT NO. : D626,370 S  
APPLICATION NO. : 29/342551  
DATED : November 2, 2010  
INVENTOR(S) : Byung Kook Baek

Page 1 of 1

It is certified that error appears in the above-identified patent and that said Letters Patent is hereby corrected as shown below:

Title page, (73), assignee name: "Sumsung" should read --Samsung--.

Signed and Sealed this  
Twelfth Day of July, 2011

A handwritten signature in black ink that reads "David J. Kappos". The signature is written in a cursive style with a large initial 'D' and 'K'.

David J. Kappos  
*Director of the United States Patent and Trademark Office*