



US00D626369S

(12) **United States Design Patent**  
**Wang Chen**

(10) **Patent No.:** **US D626,369 S**  
(45) **Date of Patent:** **\*\* Nov. 2, 2010**

(54) **TEA POT**

(75) Inventor: **Tsai-Hsieh Wang Chen**, Taipei (TW)

(73) Assignee: **Cha Cha The Culture International Company Limited**, Taipei (TW)

(\*\*) Term: **14 Years**

(21) Appl. No.: **29/352,603**

(22) Filed: **Dec. 23, 2009**

(51) **LOC (9) Cl.** ..... **07-01**

(52) **U.S. Cl.** ..... **D7/320; D7/321**

(58) **Field of Classification Search** ..... D7/322,  
D7/321, 320, 317, 312, 300; 222/129.1-129.4  
See application file for complete search history.

(56) **References Cited**

**U.S. PATENT DOCUMENTS**

D109,642 S *	5/1938	Morgan	.....	D7/321
D146,999 S *	6/1947	Wenyss	.....	D7/321
D180,563 S *	7/1957	Moore	.....	D7/321
D260,719 S *	9/1981	Otake	.....	D7/321
D260,957 S *	9/1981	Urich	.....	D7/321
D265,621 S *	8/1982	Christov Urich	.....	D7/321

D266,821 S *	11/1982	Christov Urich	.....	D7/320
D343,984 S *	2/1994	Lin	.....	D7/320
D432,851 S *	10/2000	Hoff et al.	.....	D7/320
D477,494 S *	7/2003	Pena Angarita	.....	D7/321
D526,829 S *	8/2006	Cohen	.....	D7/321
D616,242 S *	5/2010	Twycross	.....	D7/321

\* cited by examiner

*Primary Examiner*—Marianne Pandozzi

(74) *Attorney, Agent, or Firm*—Chun-Ming Shih

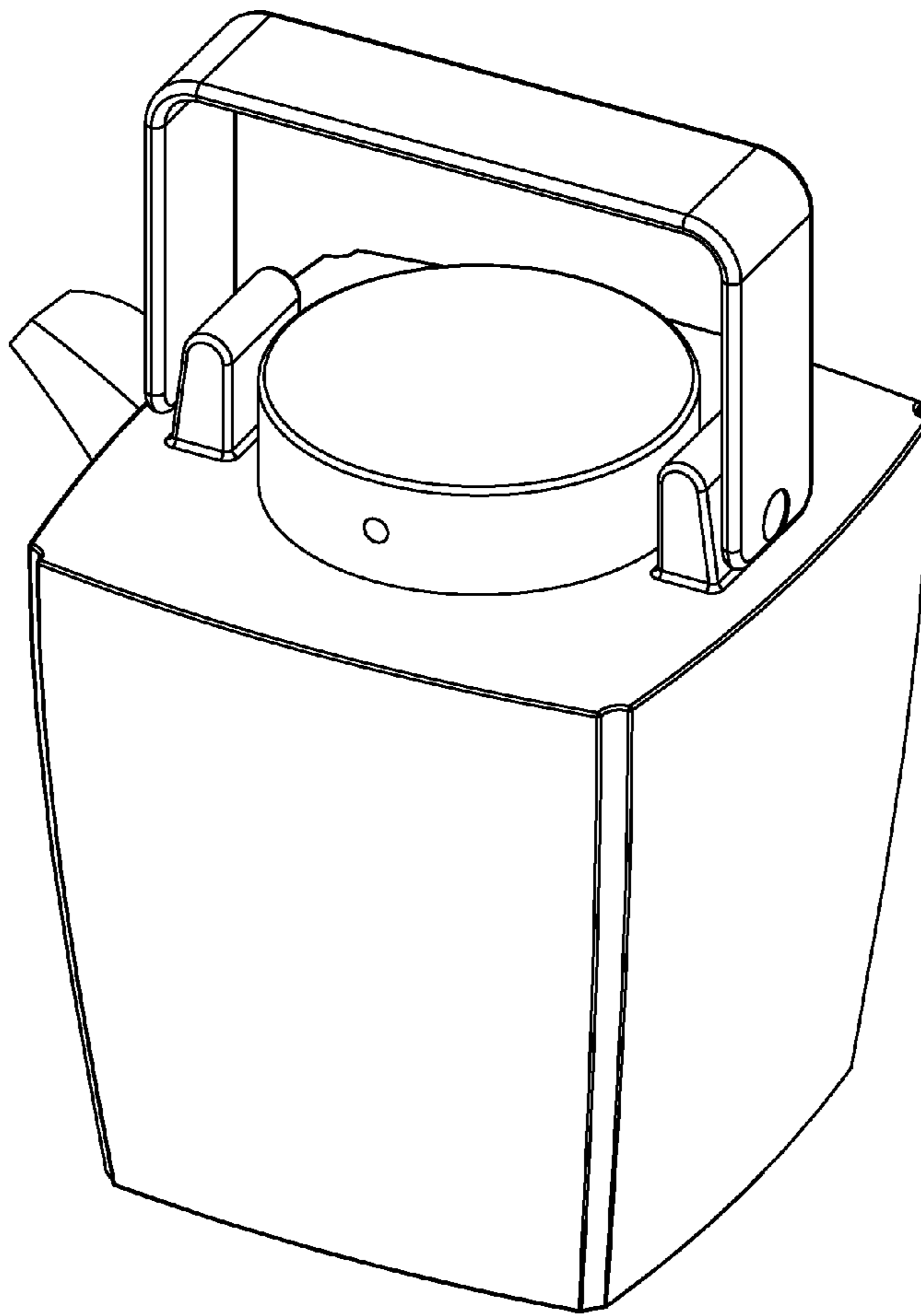
(57) **CLAIM**

The ornamental design for a tea pot, as shown and described.

**DESCRIPTION**

FIG. 1 is a perspective view of a tea pot showing my design;  
FIG. 2 is a front elevational view thereof;  
FIG. 3 is a left side elevational view thereof  
FIG. 4 is a right side elevational view thereof;  
FIG. 5 is a top plan view thereof;  
FIG. 6 is a bottom plan view thereof; and,  
FIG. 7 is a rear elevational view thereof

**1 Claim, 7 Drawing Sheets**



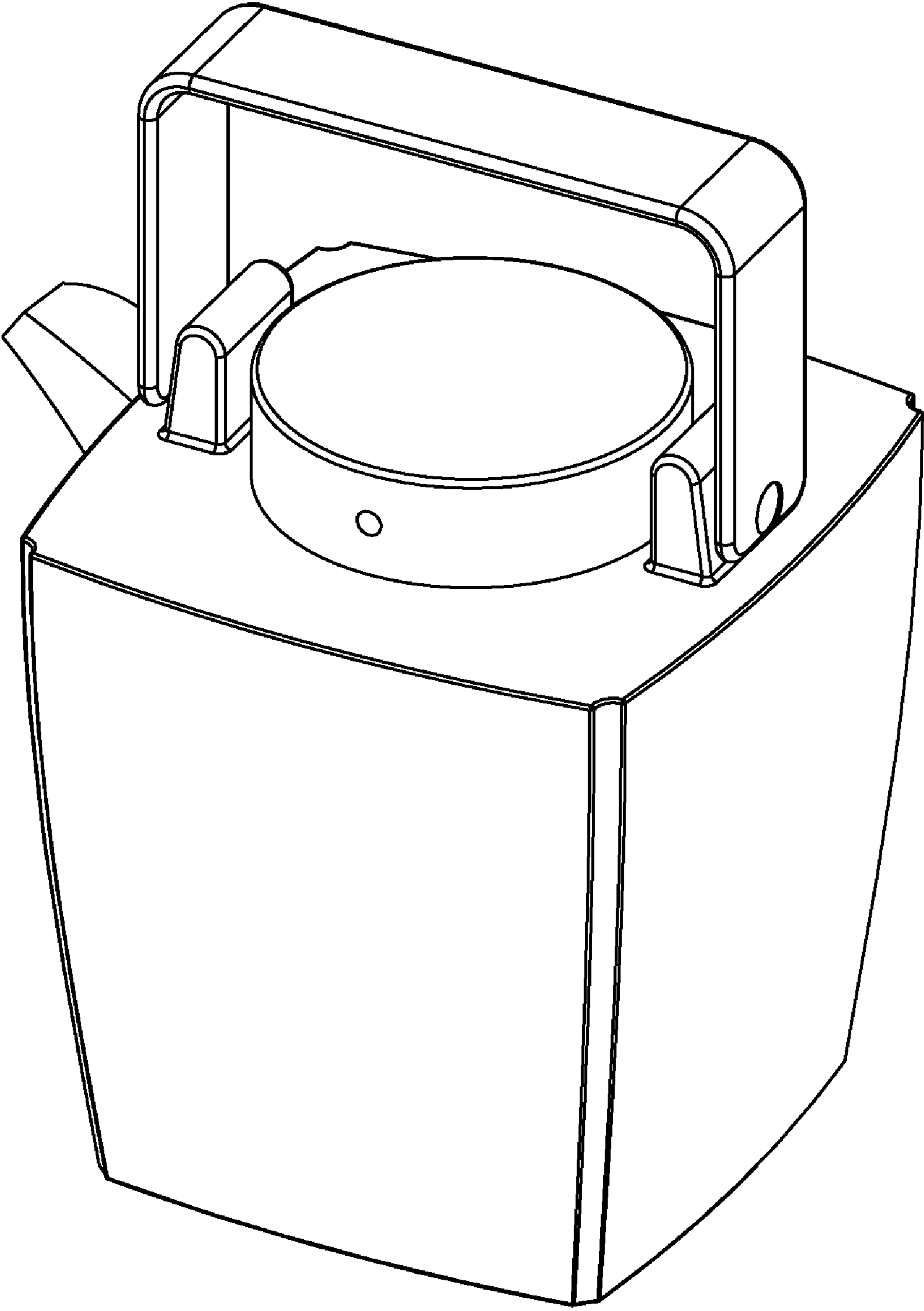


FIG. 1

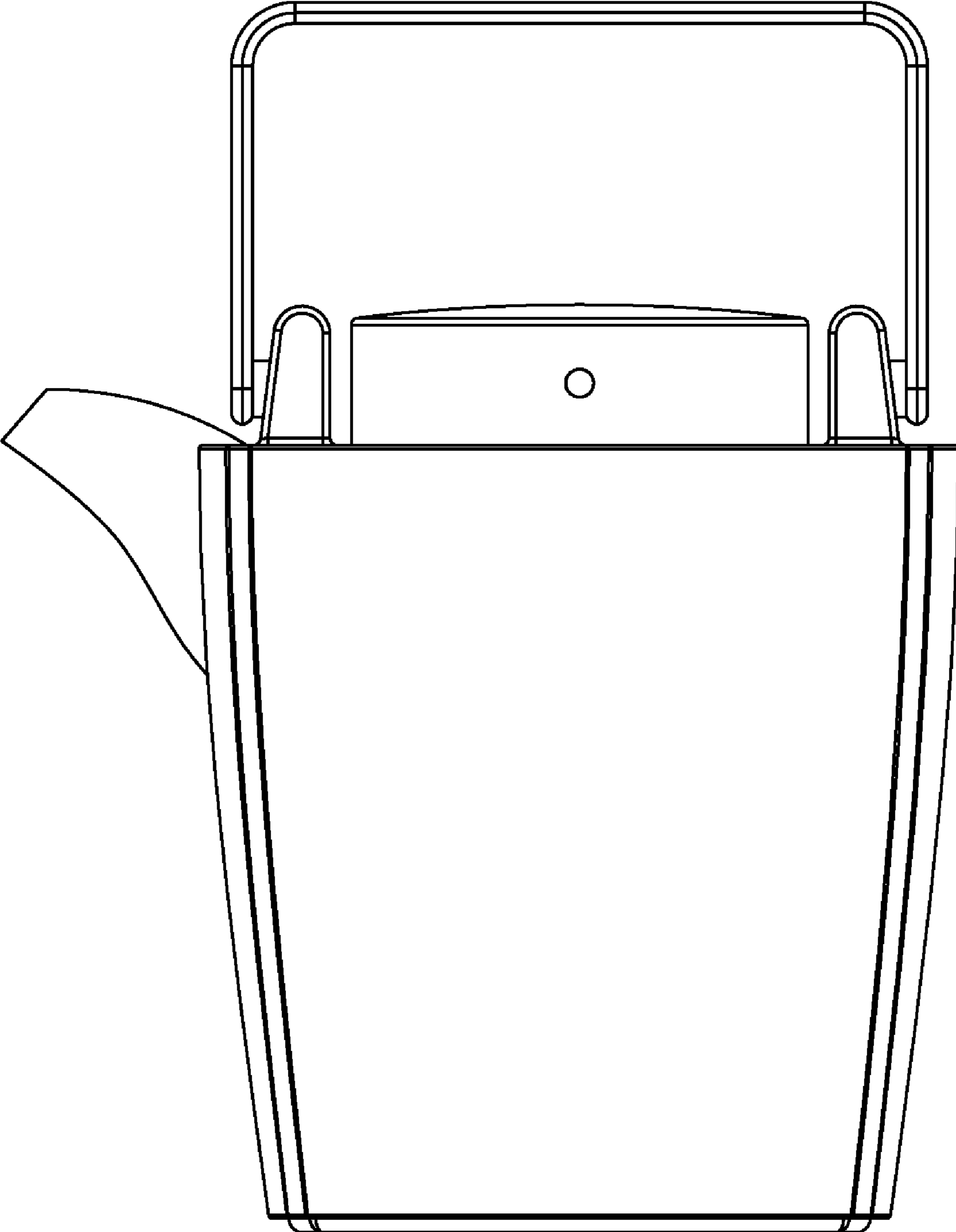


FIG.2

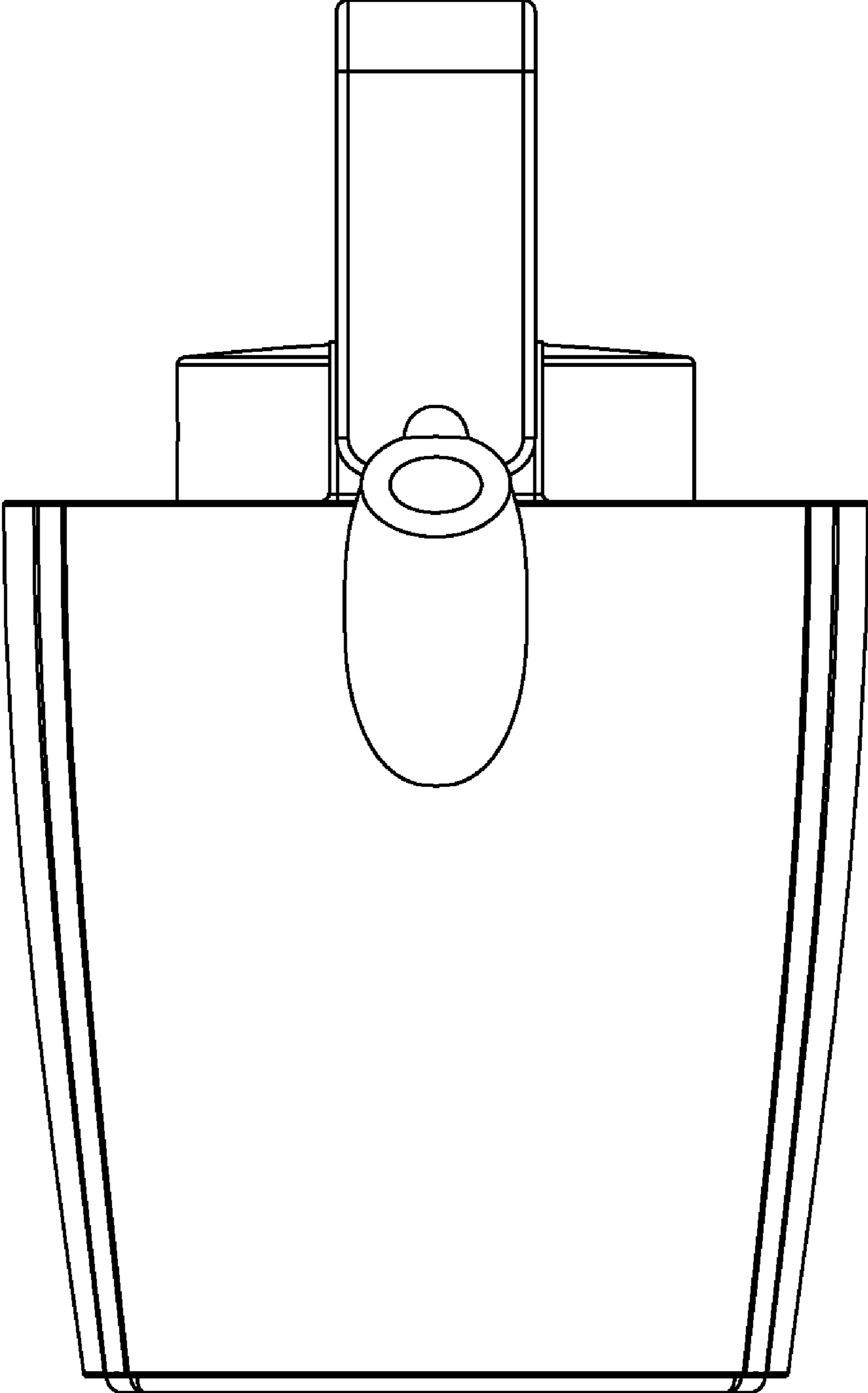


FIG.3

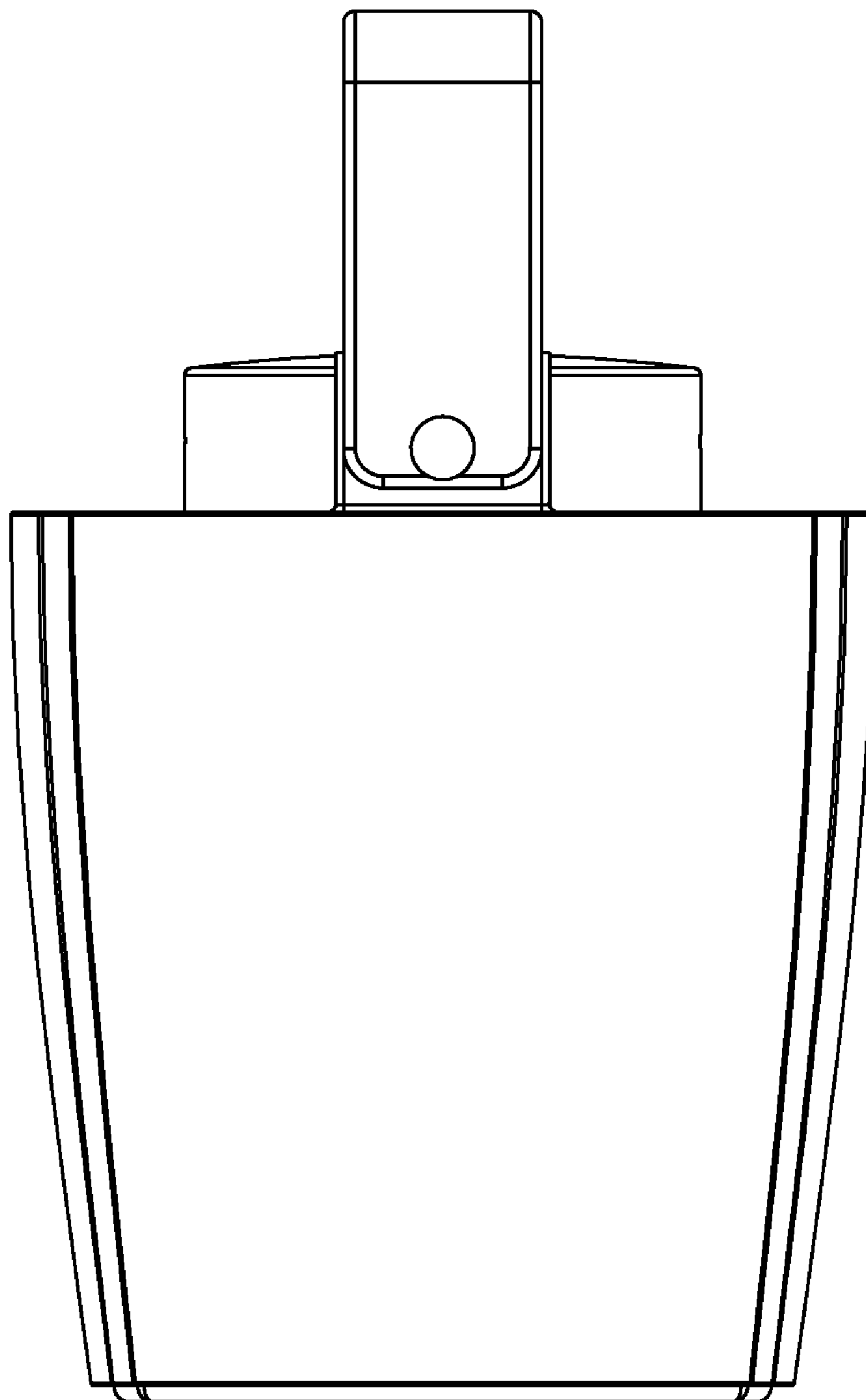


FIG.4

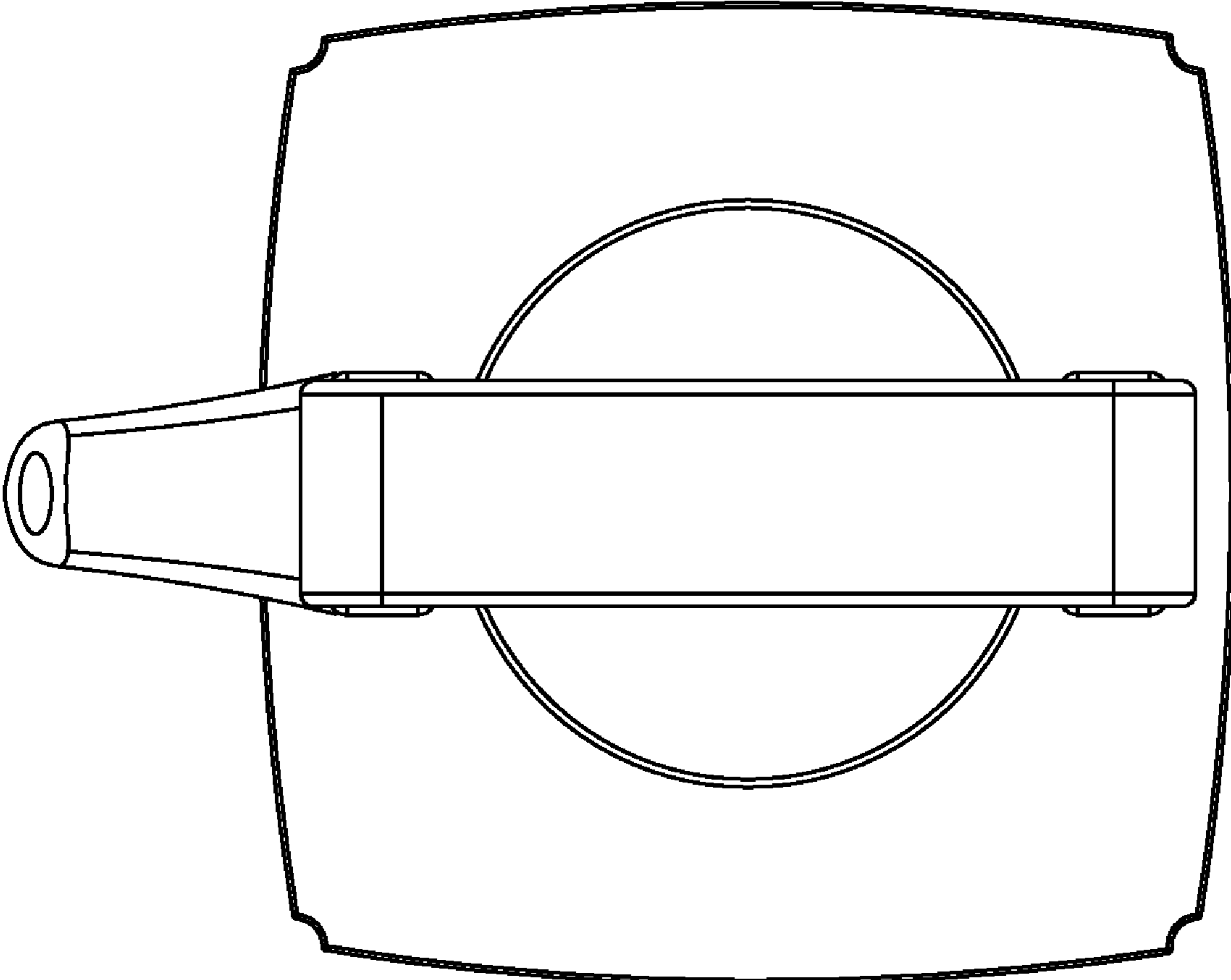


FIG. 5

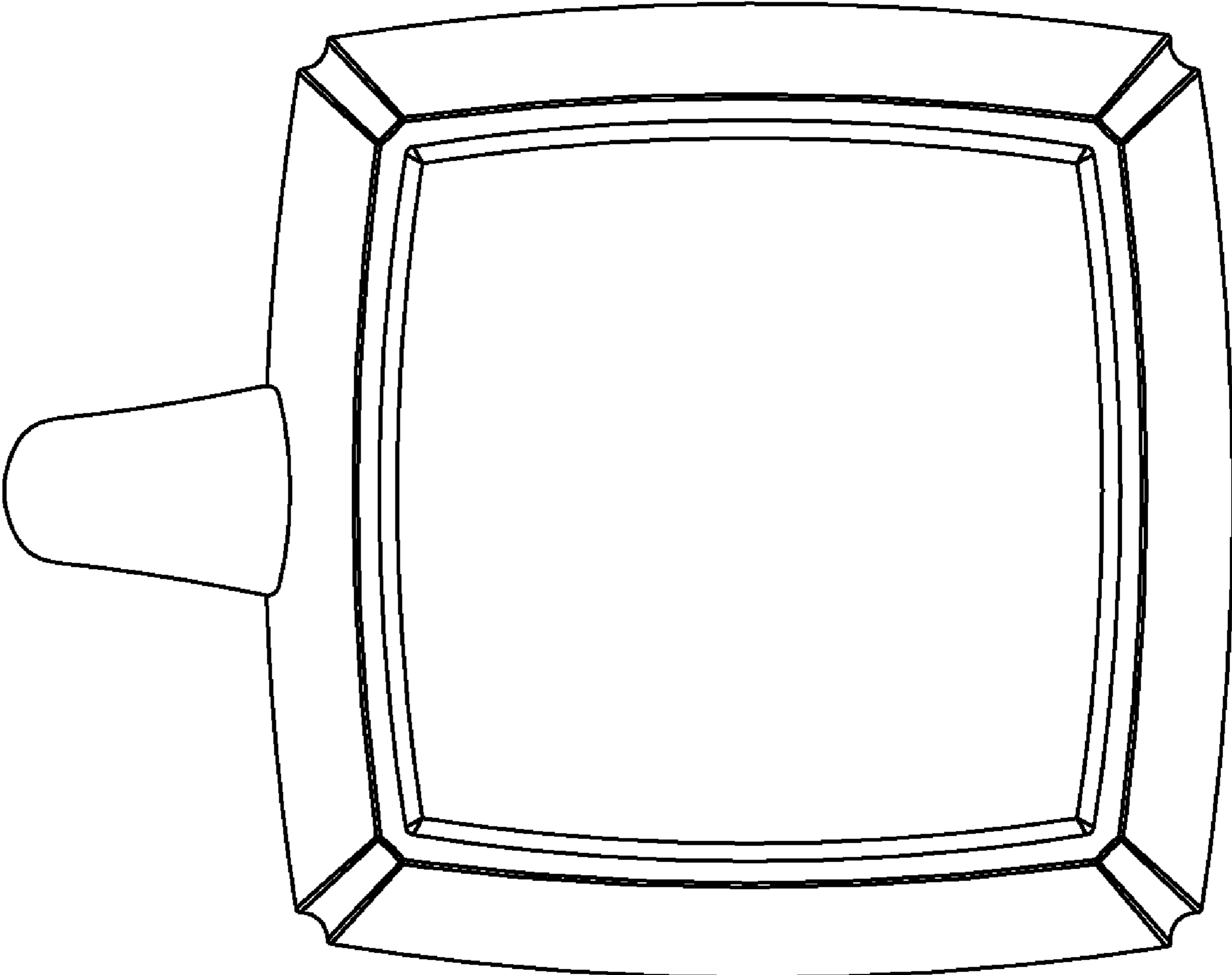


FIG.6

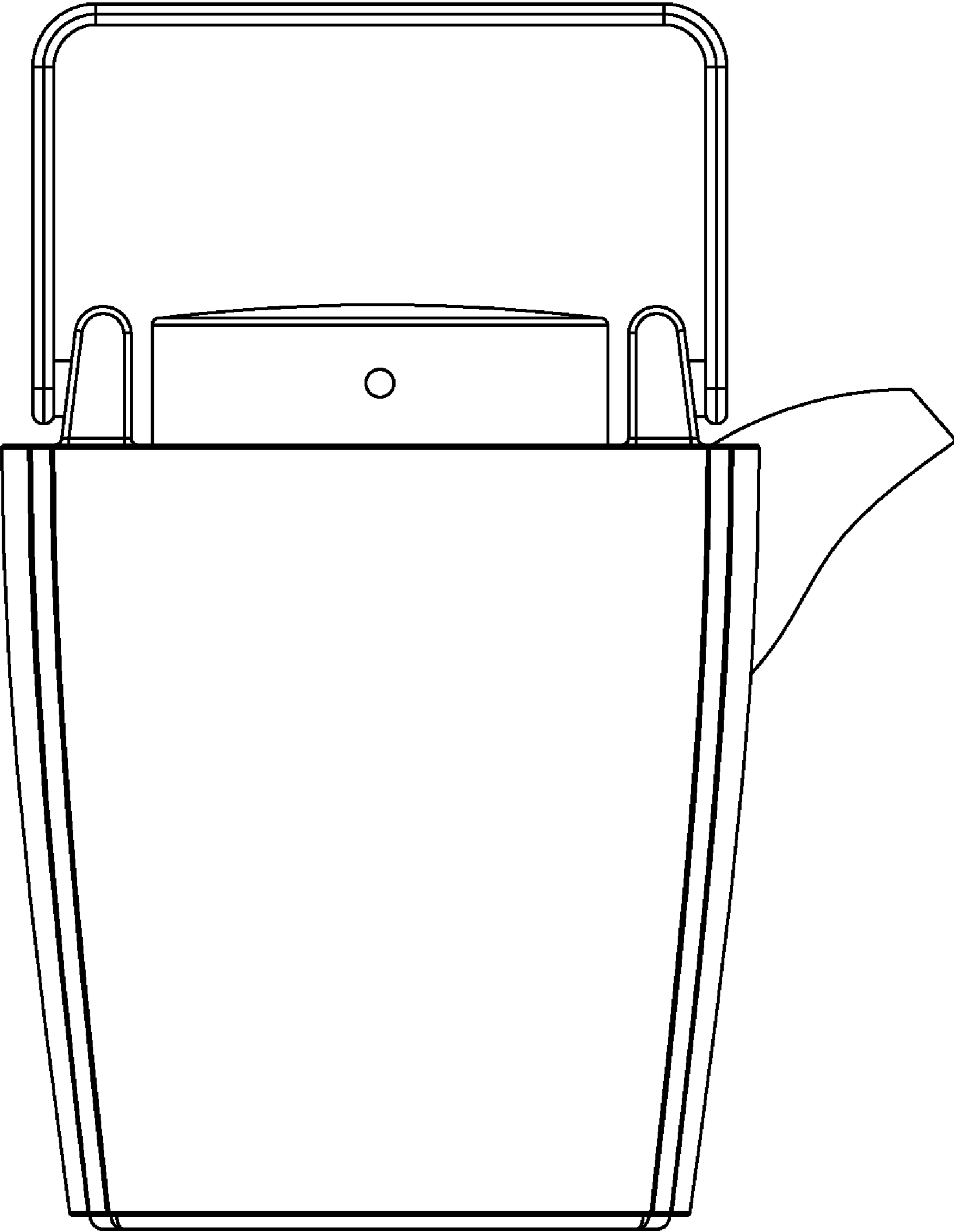


FIG. 7