



US00D626368S

(12) **United States Design Patent**  
**De Pra'**

(10) **Patent No.:** **US D626,368 S**

(45) **Date of Patent:** **\*\* \*Nov. 2, 2010**

(54) **COFFEE MACHINE**

(75) Inventor: **Dario De Pra'**, Mirano (IT)

(73) Assignee: **De 'Longhi Appliances S.R.L. Con Unico Socio**, Treviso (IT)

(\* ) Notice: This patent is subject to a terminal disclaimer.

(\*\*) Term: **14 Years**

(21) Appl. No.: **29/341,006**

(22) Filed: **Jul. 29, 2009**

(30) **Foreign Application Priority Data**

Jan. 30, 2009 (EM) ..... 1079073-0011

(51) **LOC (9) Cl.** ..... **07-01**

(52) **U.S. Cl.** ..... **D7/309; D7/311**

(58) **Field of Classification Search** ..... D7/309-311, D7/306-308; 99/280, 283, 306

See application file for complete search history.

(56) **References Cited**

**U.S. PATENT DOCUMENTS**

D449,198 S \* 10/2001 Cahen ..... D7/309

D525,070 S \* 7/2006 Moreno ..... D7/309  
D556,495 S \* 12/2007 Davenport ..... D7/309  
D575,977 S \* 9/2008 Rose ..... D7/309  
D586,170 S \* 2/2009 Jordana ..... D7/309  
D593,356 S \* 6/2009 Grassia ..... D7/309  
D594,688 S \* 6/2009 Hammad et al. .... D7/306  
D607,258 S \* 1/2010 De Pra' ..... D7/309  
D607,259 S \* 1/2010 De Pra' ..... D7/309

\* cited by examiner

*Primary Examiner*—Marianne Pandozzi

(74) *Attorney, Agent, or Firm*—Flaster/Greenberg, P.C.

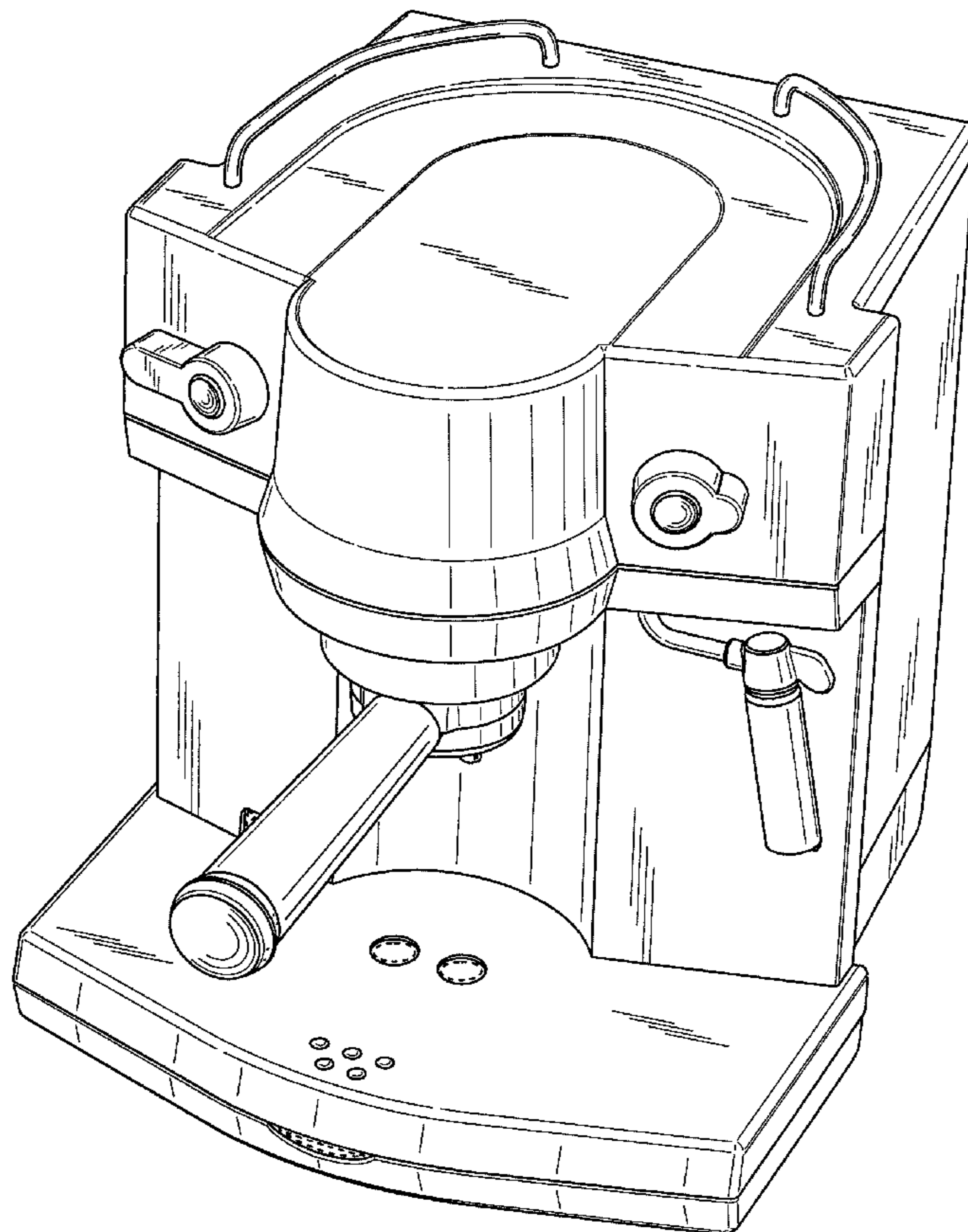
(57) **CLAIM**

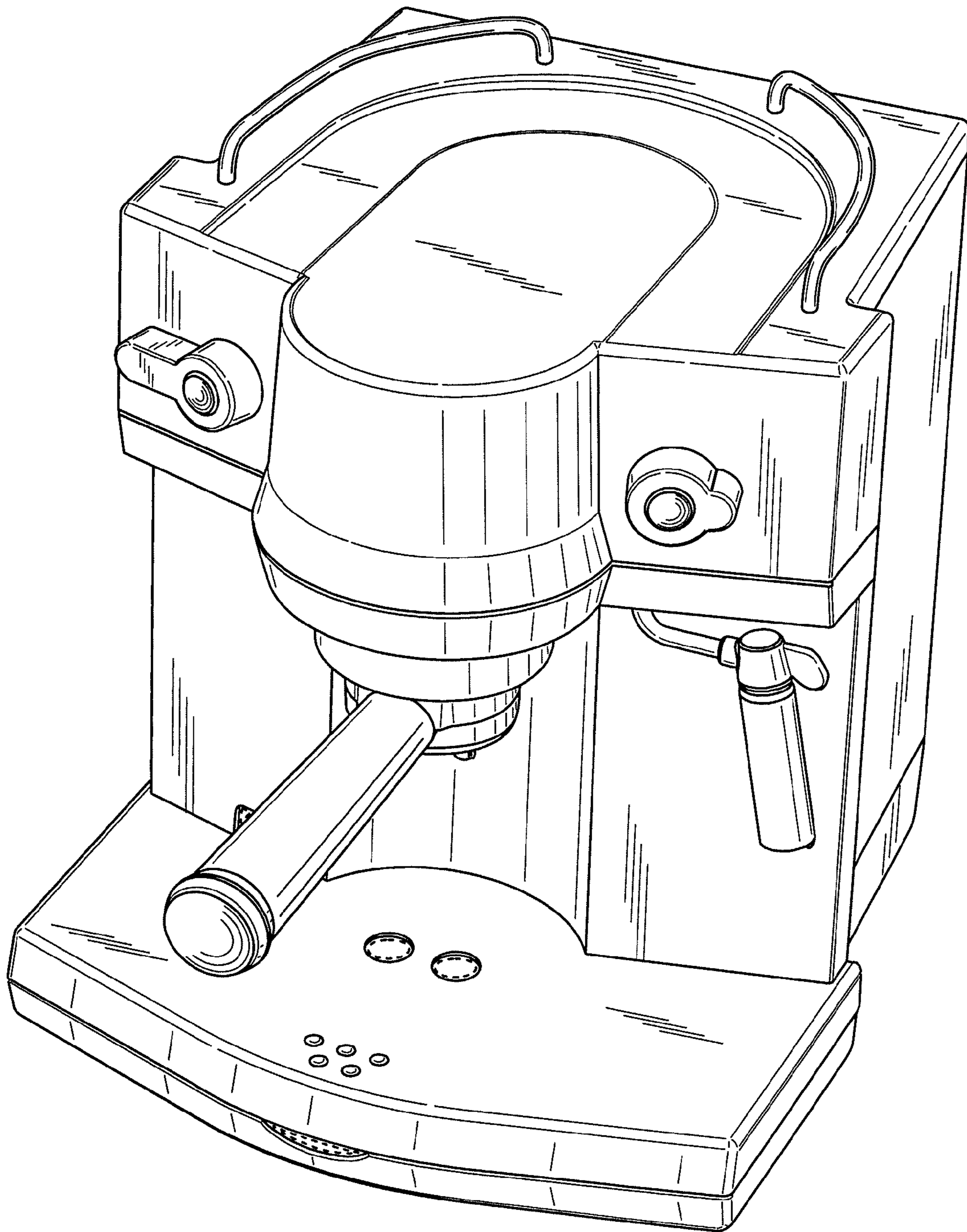
The ornamental design for a coffee machine, as shown and described.

**DESCRIPTION**

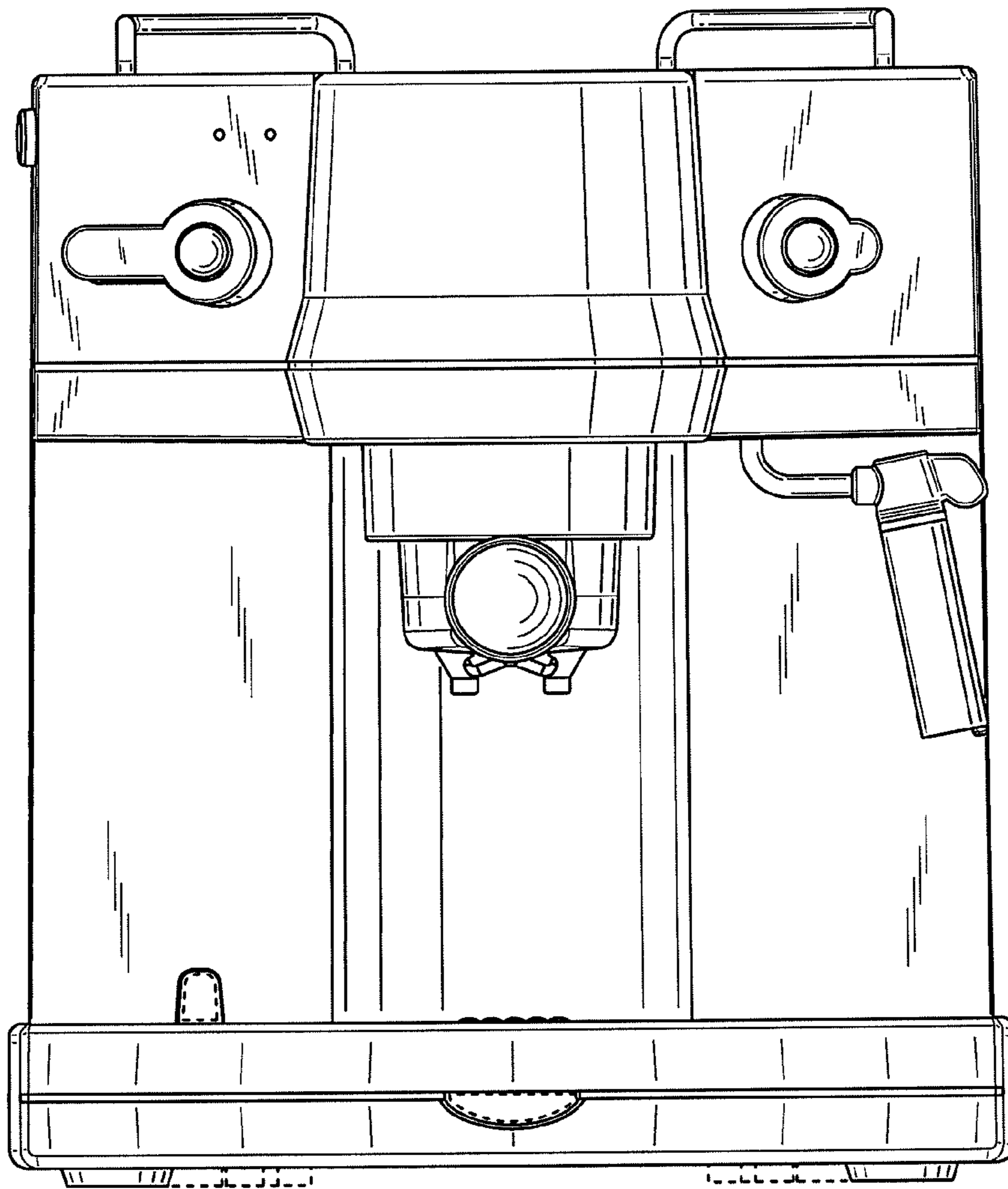
FIG. 1 is a perspective view of the coffee machine;  
FIG. 2 is a front view of the coffee machine;  
FIG. 3 is a rear view of the coffee machine;  
FIG. 4 is a right side view of the coffee machine;  
FIG. 5 is a left side view of the coffee machine;  
FIG. 6 is a top view of the coffee machine; and,  
FIG. 7 is a bottom view of the coffee machine.

**1 Claim, 7 Drawing Sheets**

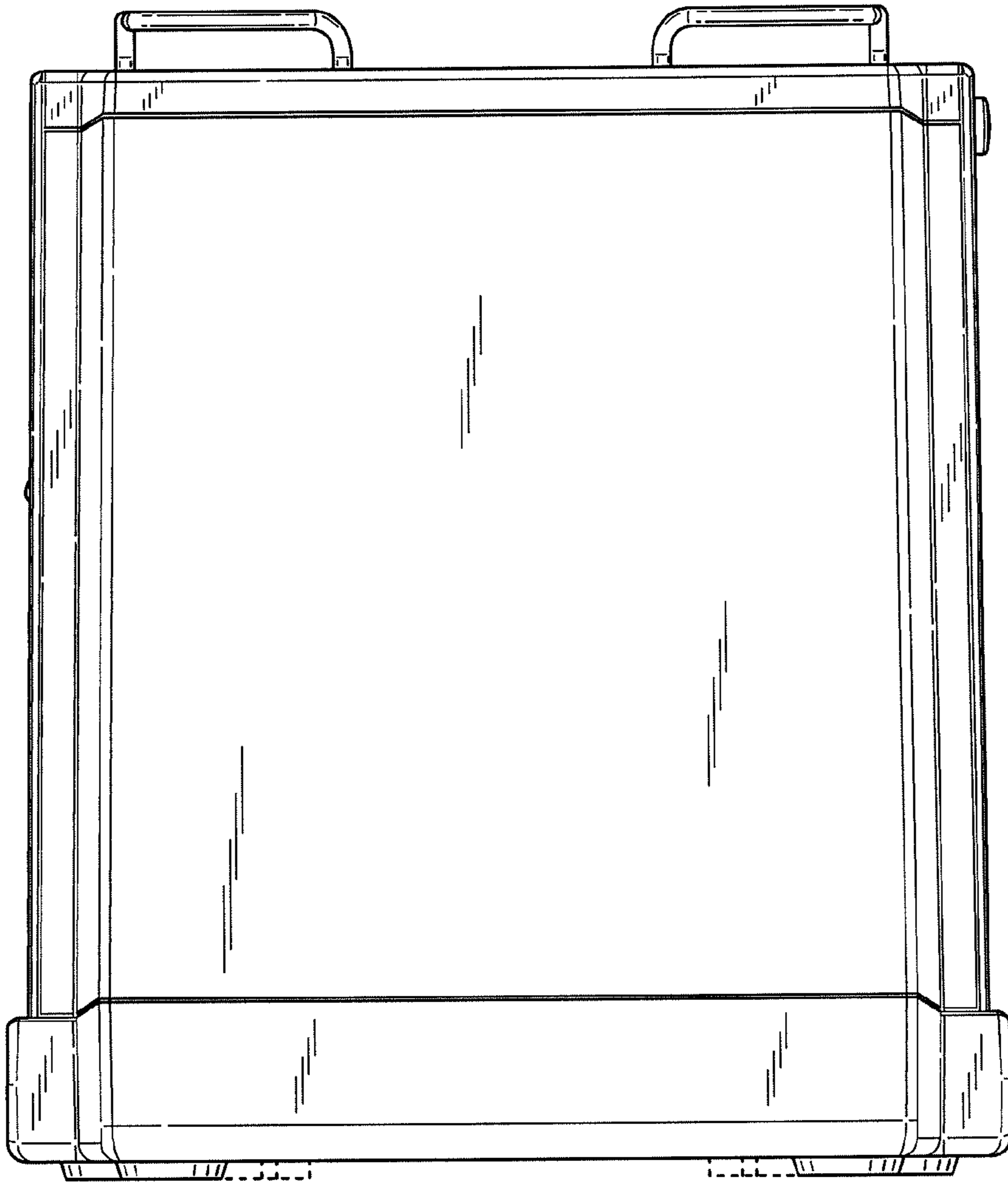




*FIG. 1*



*FIG. 2*



*FIG. 3*

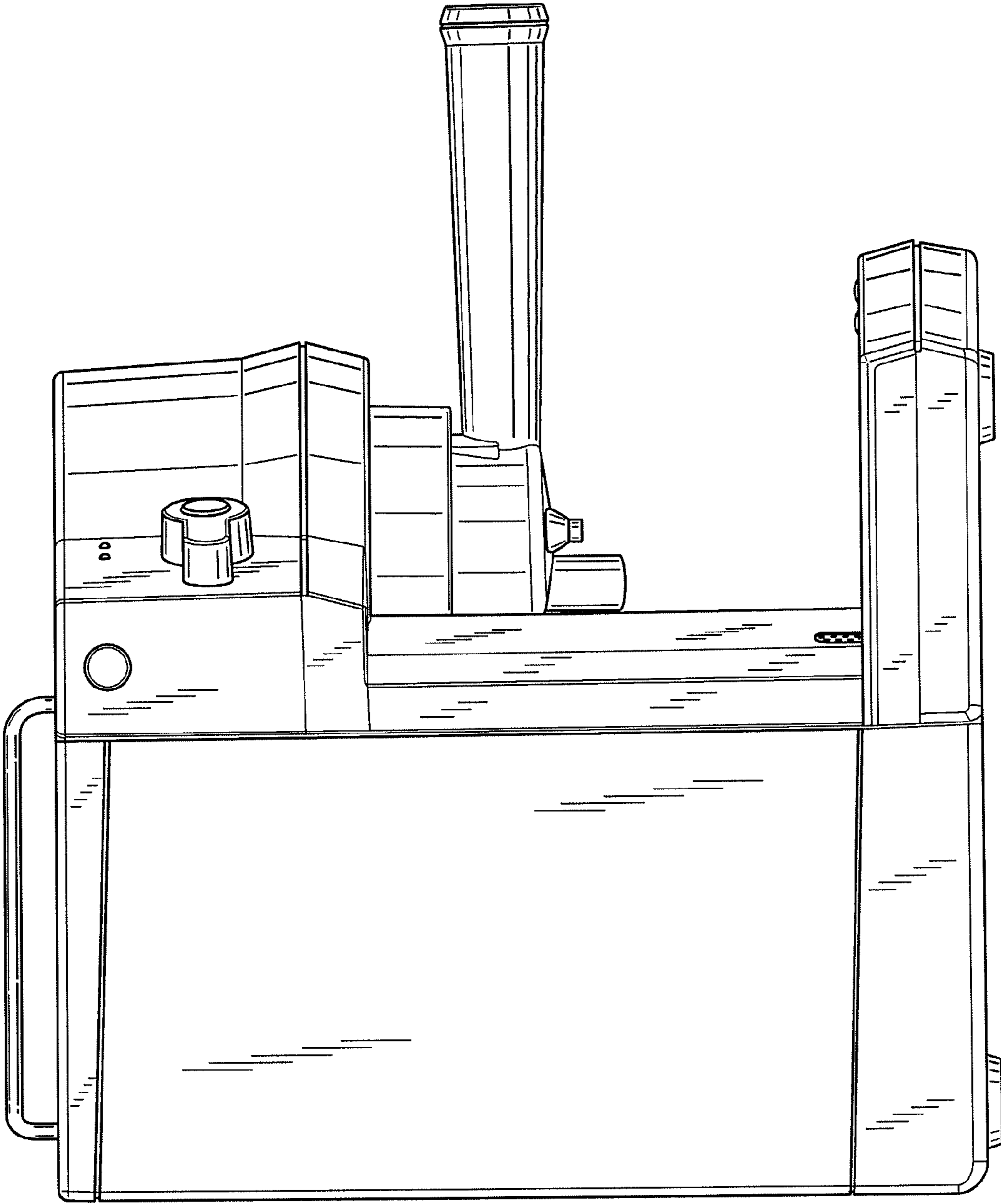


FIG. 4

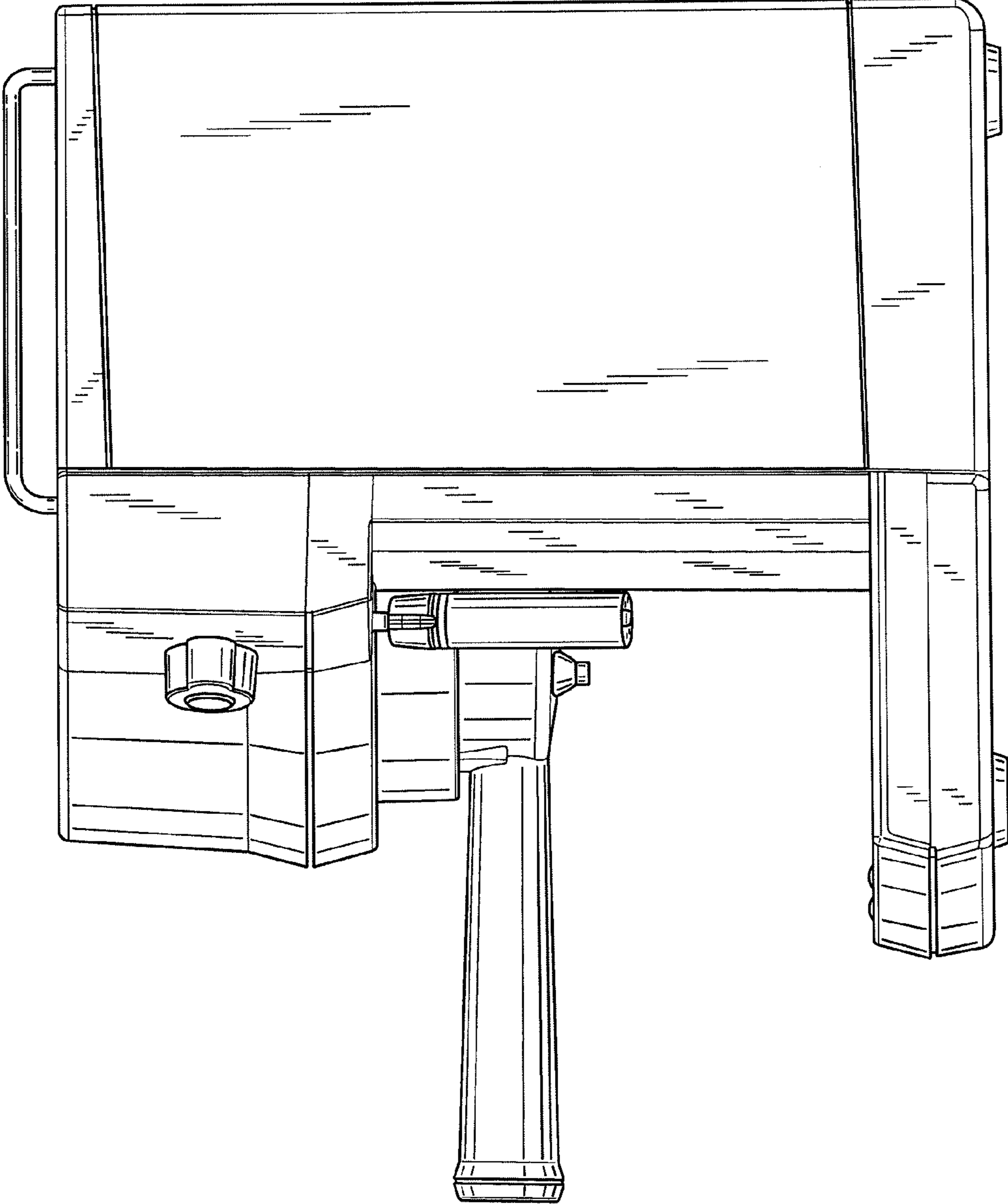
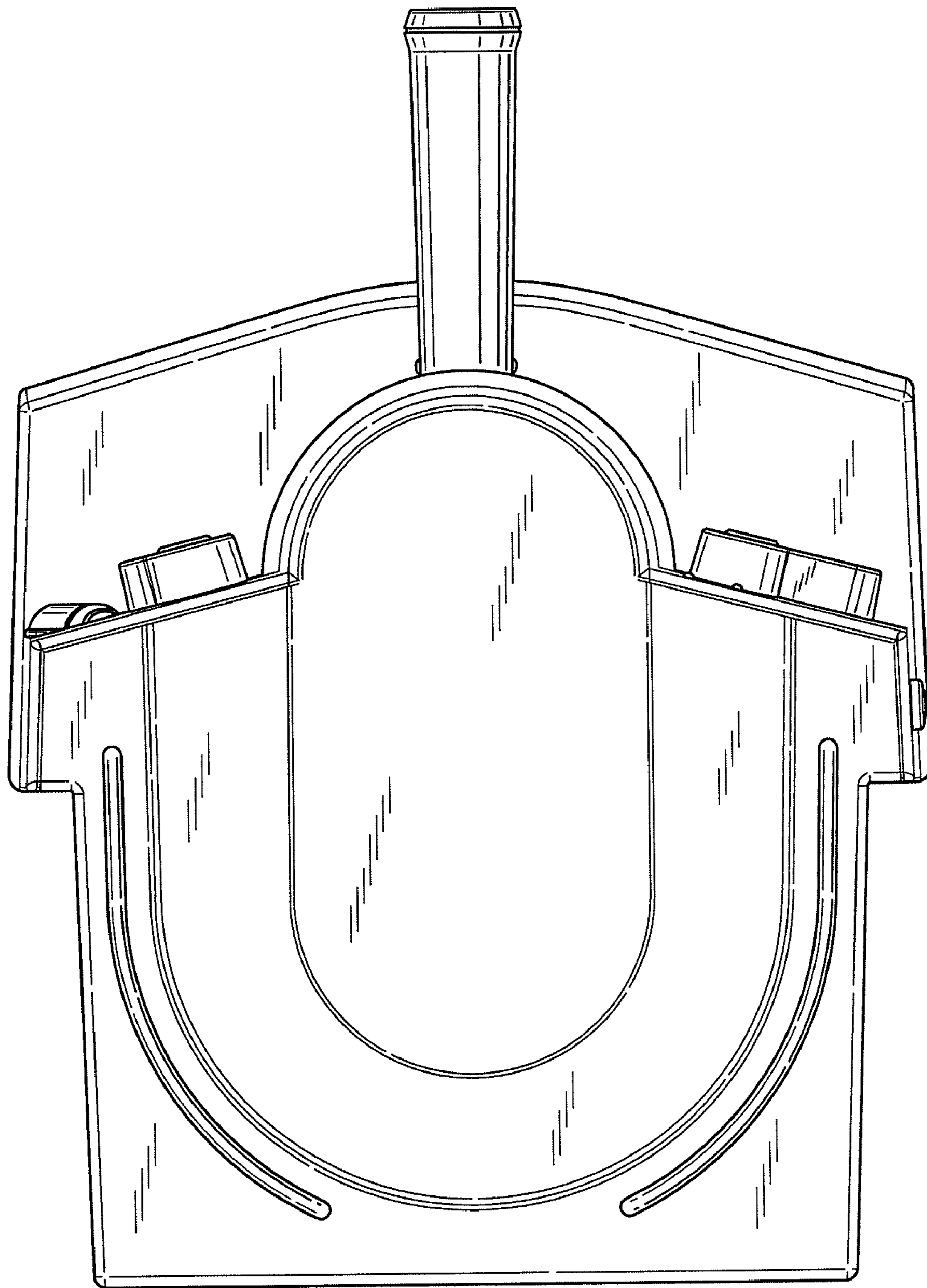
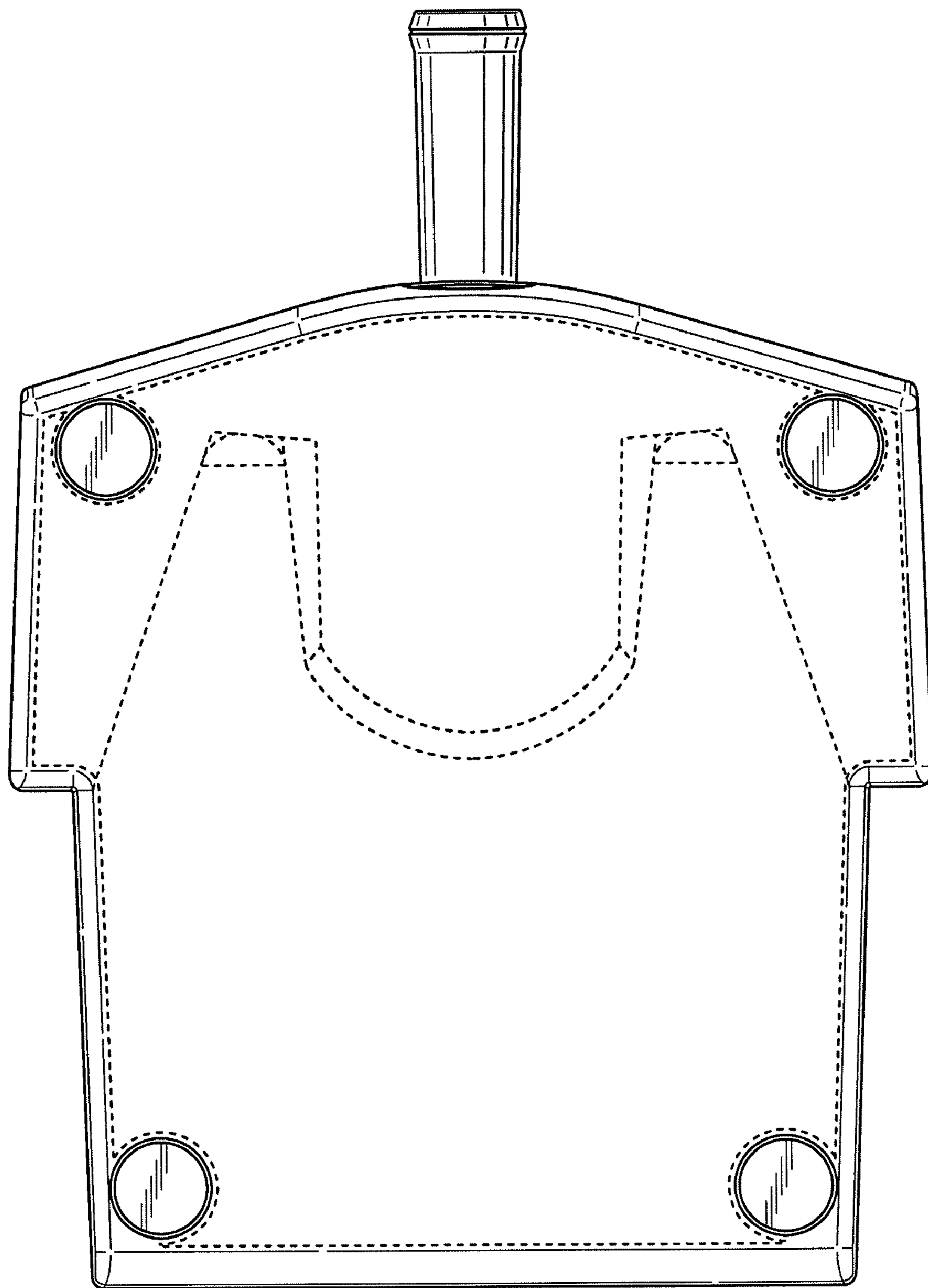


FIG. 5



*FIG. 6*



*FIG. 7*