



US00D626367S

(12) **United States Design Patent**
Gross et al.

(10) **Patent No.:** **US D626,367 S**
(45) **Date of Patent:** **** Nov. 2, 2010**

(54) **TOOL BOX SHAPED COFFEE MAKER**

6,840,376 B2 * 1/2005 Chen 206/373
D553,897 S * 10/2007 De'Longhi D7/309
D611,289 S * 3/2010 de Visser D7/309

(75) Inventors: **Charles Brian Gross**, Greeley, CO
(US); **Todd Robert Larrabee**,
Richmond, VA (US)

* cited by examiner

(73) Assignee: **Eternal East (HK) Ltd.**, Central (HK)

Primary Examiner—Marianne Pandozzi
(74) *Attorney, Agent, or Firm*—Margaret Polson; Oppedahl
Patent Law Firm LLC

(**) Term: **14 Years**

(21) Appl. No.: **29/356,462**

(57) **CLAIM**

(22) Filed: **Feb. 25, 2010**

The ornamental design for a tool box shaped coffee maker, as shown and described.

(51) **LOC (9) Cl.** **07-01**

(52) **U.S. Cl.** **D7/301; D7/309; D7/311**

(58) **Field of Classification Search** D7/300,
D7/397, 306–311, 301; 222/129.1–129.4,
222/146.6, 146.1; D14/188, 157, 169, 497,
D14/193, 168; D3/291, 294, 905; 206/372,
206/373

See application file for complete search history.

DESCRIPTION

FIG. 1 is a front elevational view of a tool box shaped coffee maker showing my new design;

FIG. 2 is a rear elevational view thereof;

FIG. 3 is a left side elevational view, the right side being a mirror image thereof;

FIG. 4 is a top plan view thereof;

FIG. 5 is a bottom plan view thereof; and,

FIG. 6 is a top perspective view thereof.

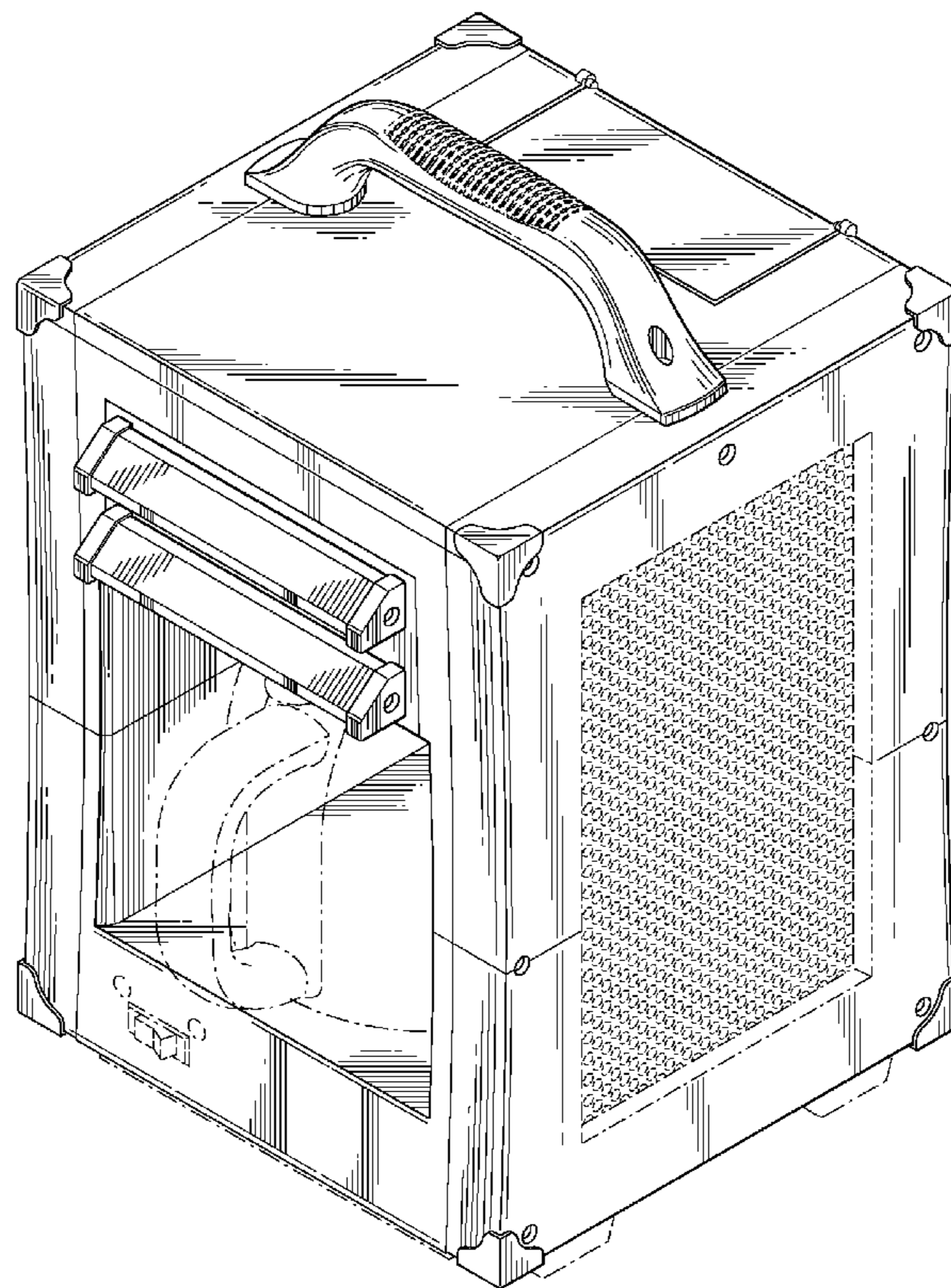
The broken line showing of a control panel, feet, functional elements, the inset side panel, and a coffee pot are included for the purpose of illustration and form no part of the claimed design.

(56) **References Cited**

U.S. PATENT DOCUMENTS

- 1,635,183 A * 7/1927 Jeannotte 182/33
- D215,621 S * 10/1969 Tombaya D14/188
- D282,138 S * 1/1986 Gullikson D7/300
- D289,179 S * 4/1987 Musgrave D19/59
- D317,677 S * 6/1991 Posso D3/280
- D378,164 S * 2/1997 Lee D3/276
- D411,164 S * 6/1999 Harris D12/414.1

1 Claim, 3 Drawing Sheets



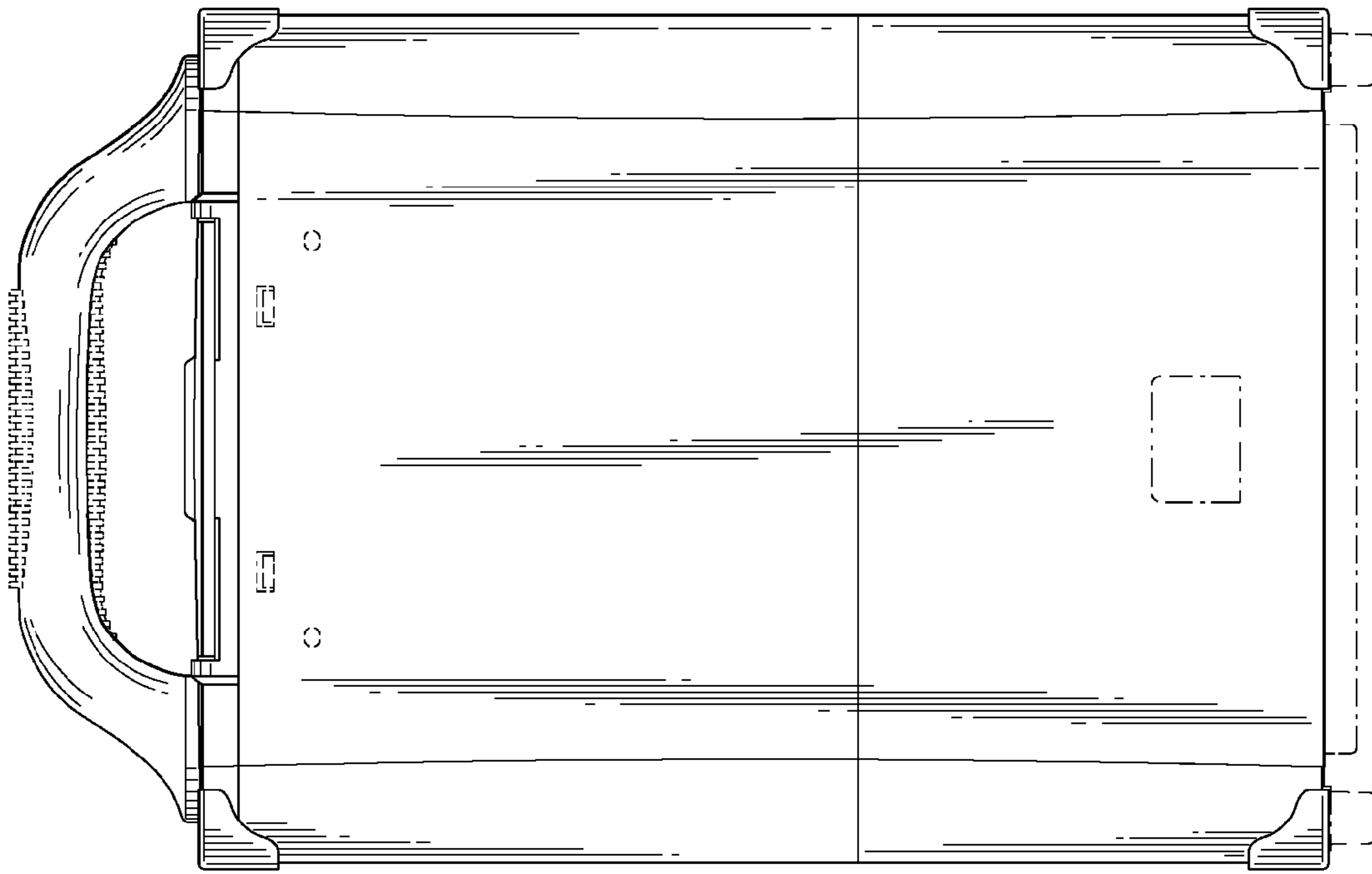


FIG. 2

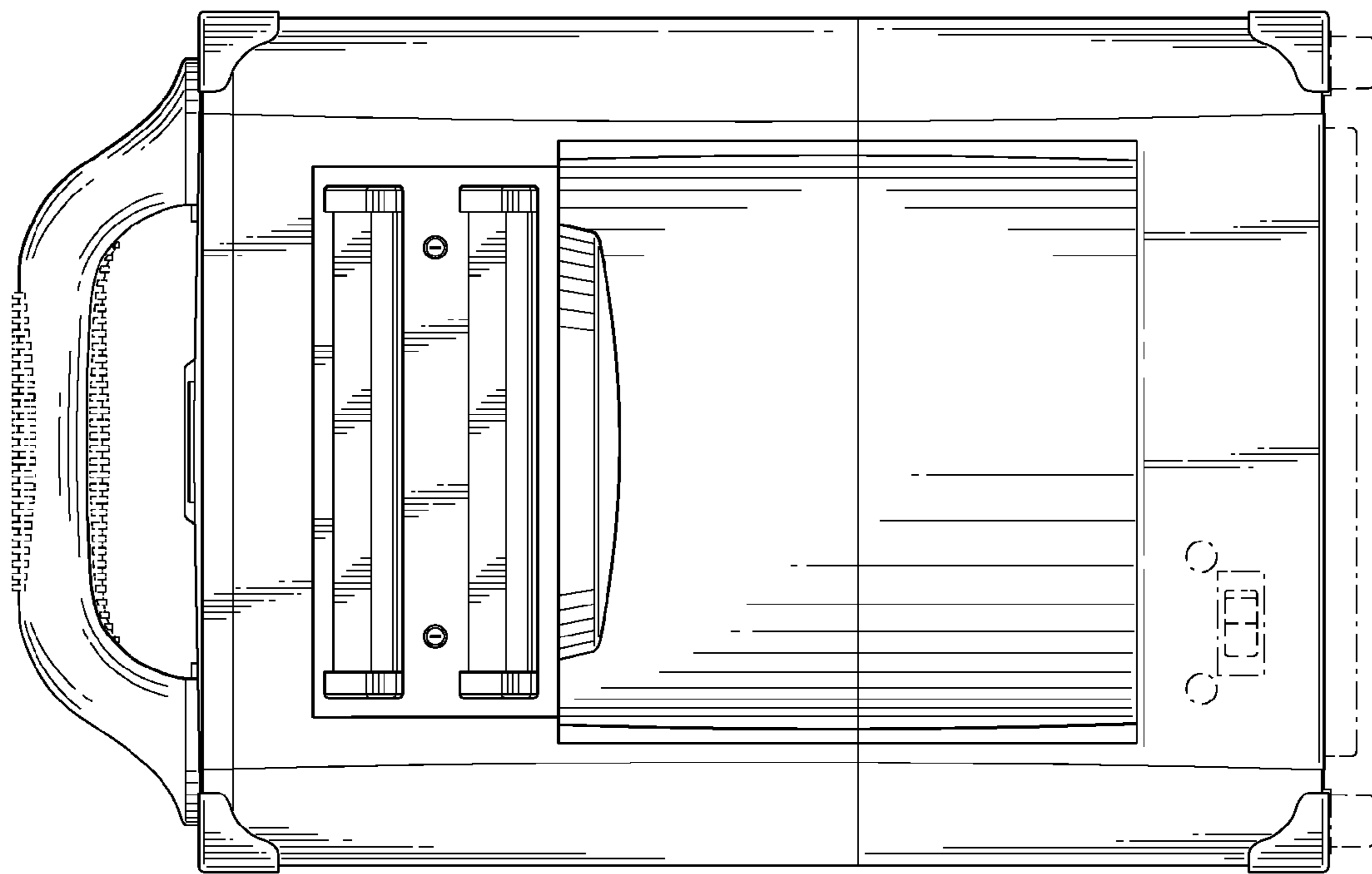


FIG. 1

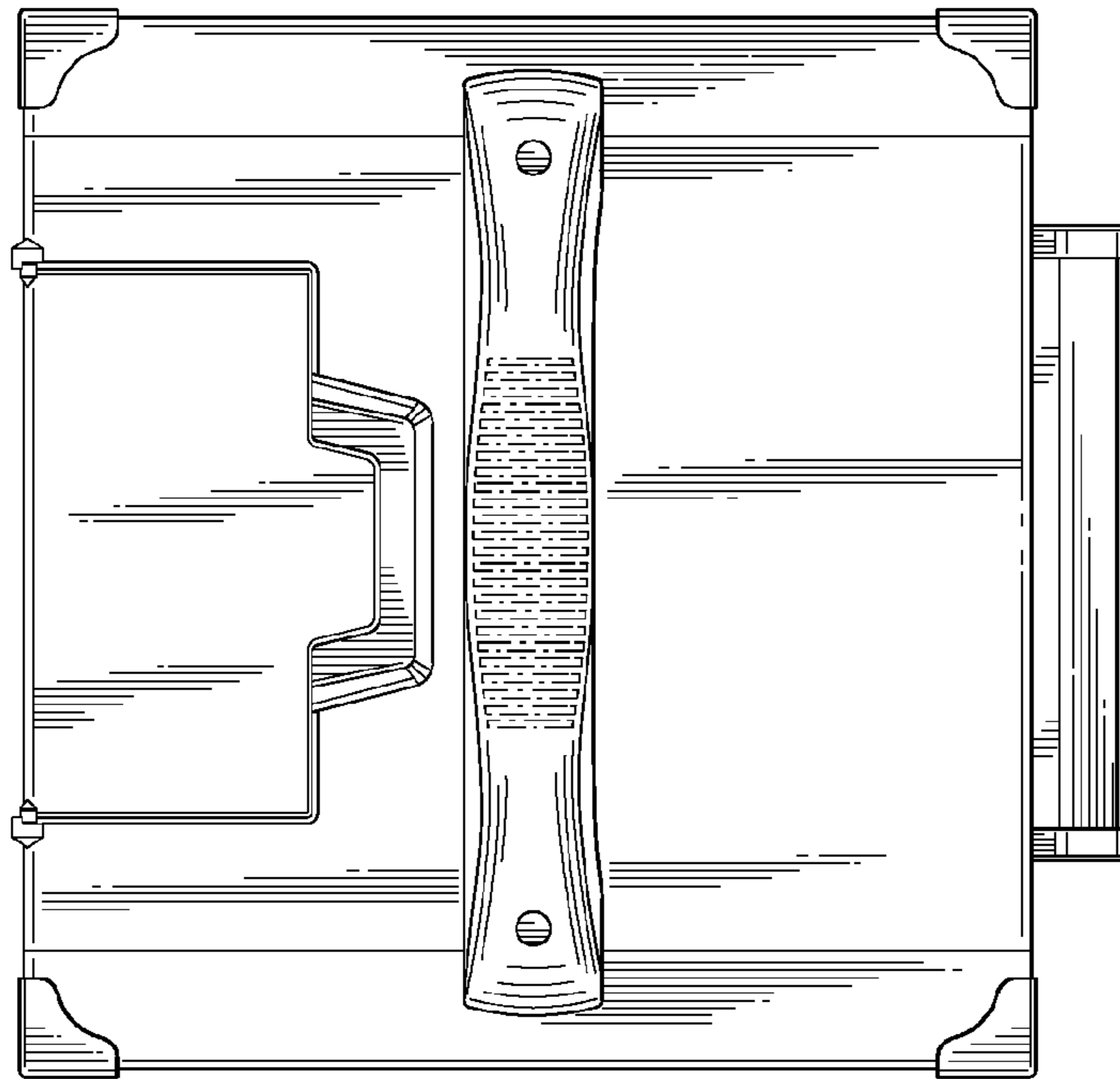


FIG. 4

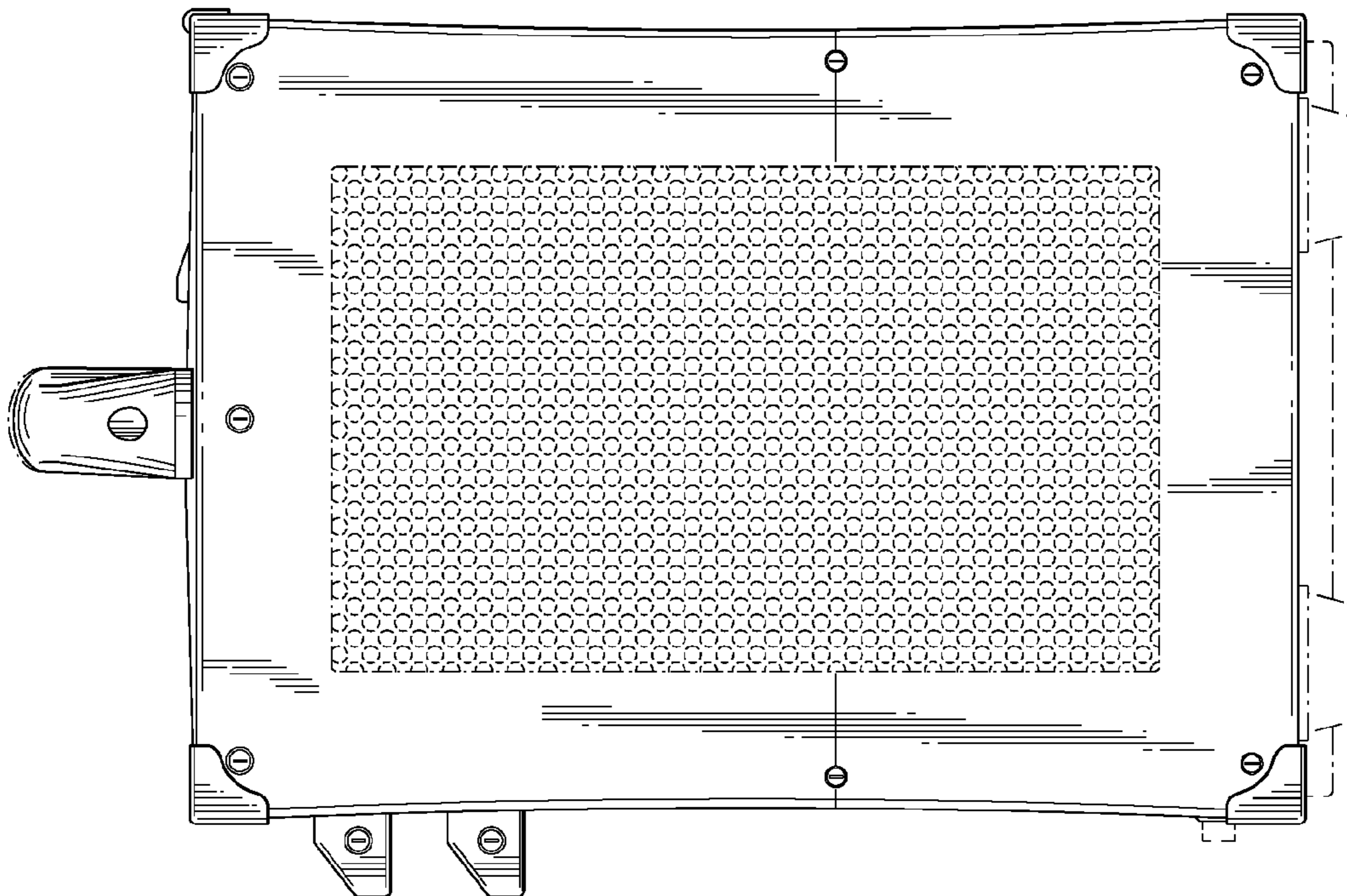


FIG. 3

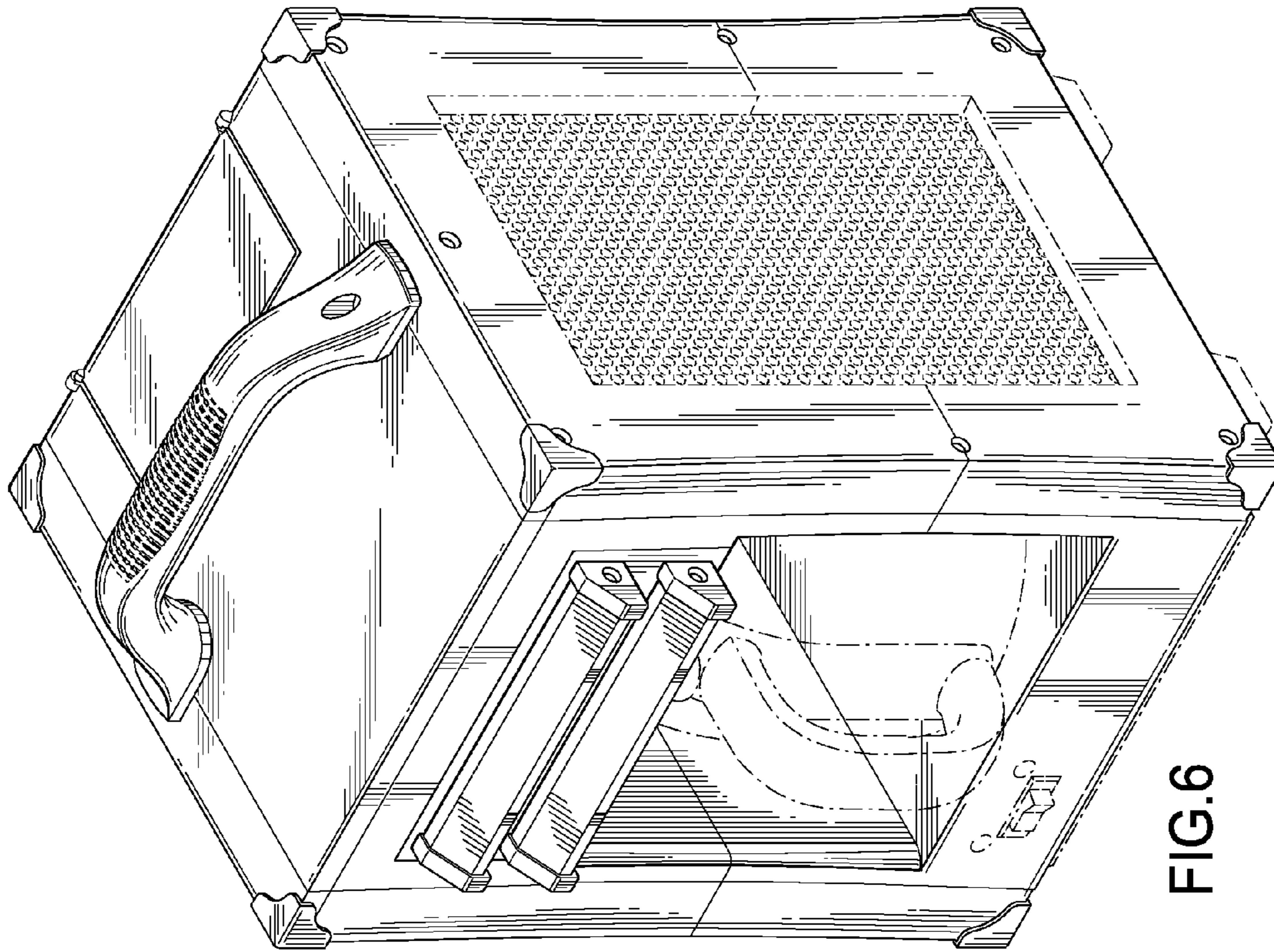


FIG. 6

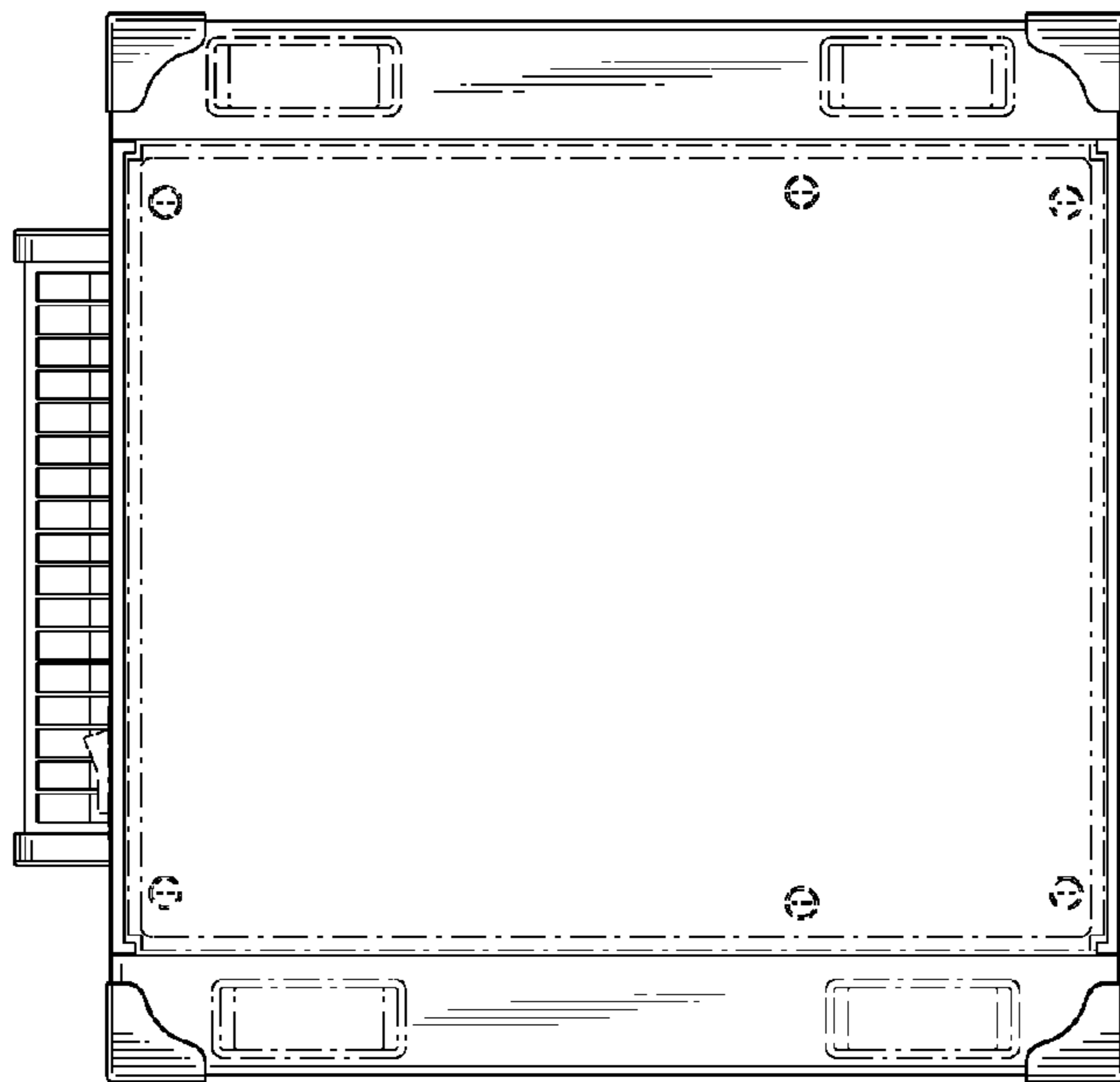


FIG. 5