



US00D626366S

(12) **United States Design Patent**
Schmidt et al.

(10) **Patent No.:** **US D626,366 S**

(45) **Date of Patent:** **** Nov. 2, 2010**

(54) **DOUBLE FLUID DISPENSER BRACKET WITH LOCKING MECHANISM**

Primary Examiner—Brian N Vinson
(74) *Attorney, Agent, or Firm*—Howison & Arnott, L.L.P.

(75) Inventors: **Laurie Schmidt**, Dallas, TX (US); **John Wiseman**, Lewisville, TX (US)

(57) **CLAIM**

The ornamental design for a double fluid dispenser bracket with locking mechanism, as shown and described.

(73) Assignee: **Sports Solutions, Inc.**, Dallas, TX (US)

(**) Term: **14 Years**

(21) Appl. No.: **29/356,530**

DESCRIPTION

(22) Filed: **Feb. 26, 2010**

(51) **LOC (9) Cl.** **23-02**

(52) **U.S. Cl.** **D6/545**

(58) **Field of Classification Search** D6/542–545,
D6/553, 567, 574; 206/77.1; 211/13.1, 86.01,
211/87.01; 221/14, 92, 649, 146.1, 146.2,
221/105; 222/281–282; D23/225
See application file for complete search history.

FIG. 1 is a top, front, and right side perspective view of a double fluid dispenser bracket with locking mechanism showing our new design;

FIG. 2 is a bottom front, and right side perspective view thereof.

FIG. 3 is a front elevational view thereof;

FIG. 4 is a right side elevational view thereof;

FIG. 5 is a left side elevational view thereof;

FIG. 6 is a rear elevational view thereof;

FIG. 7 is a top plan view thereof; and,

FIG. 8 is a bottom plan view thereof.

The broken-line disclosure of fluid dispensers in the views is understood to be for illustrative purposes only and forms no part of the claimed design, while the remaining broken-line disclosure is understood to represent portions of the article in which the claimed design is embodied, but which form no part of the claimed design.

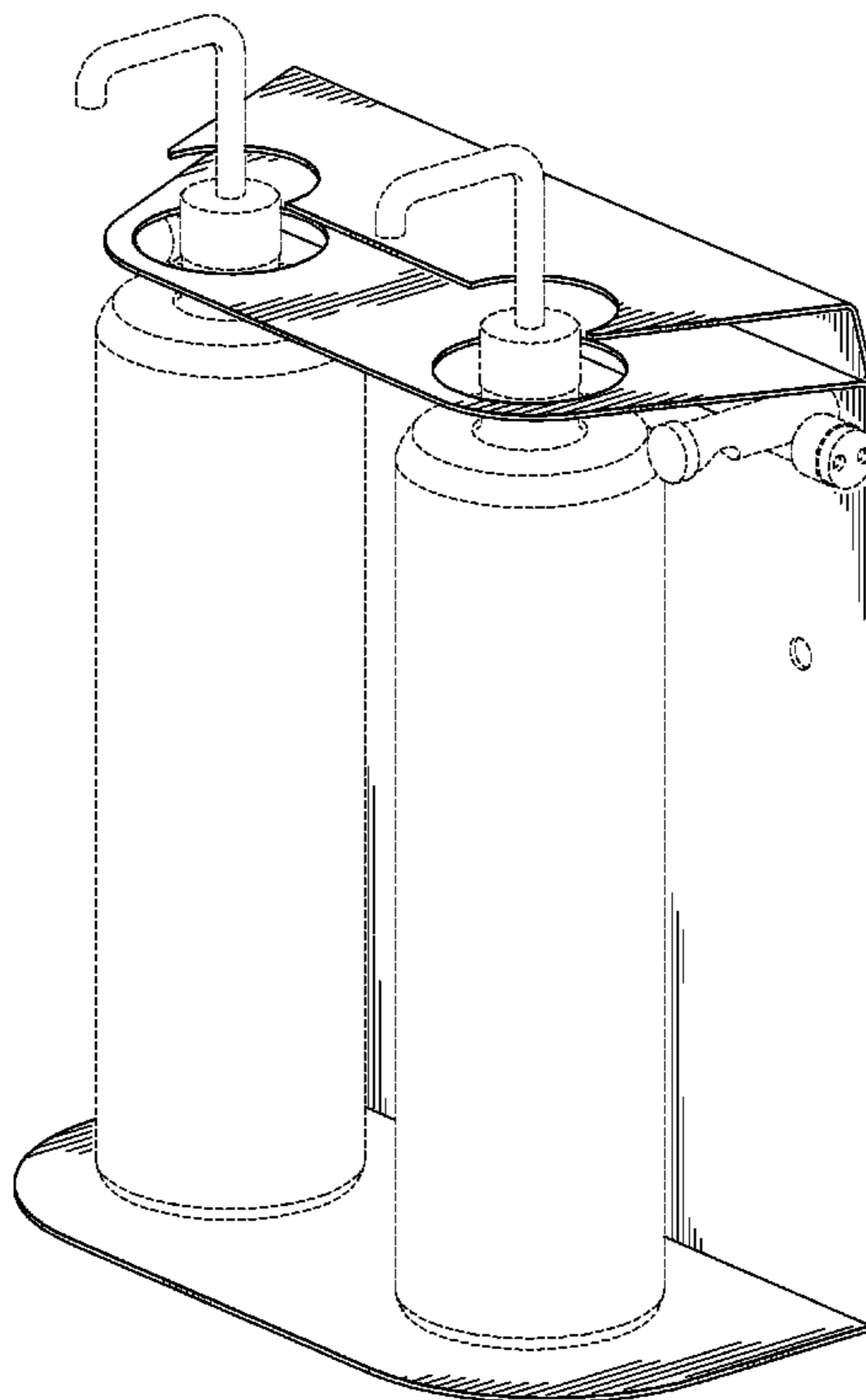
(56) **References Cited**

U.S. PATENT DOCUMENTS

3,229,858	A *	1/1966	Lesh	D23/225
D328,216	S *	7/1992	Steed	D6/567
D336,196	S *	6/1993	Gilchrist, Jr.	D6/567
D385,287	S *	10/1997	Westcott	D6/567
6,345,723	B1 *	2/2002	Blake et al.	D6/545
D533,742	S *	12/2006	Matthews et al.	D6/545
D547,988	S *	8/2007	Baker et al.	D6/545
D569,669	S *	5/2008	Nichols et al.	D6/545

* cited by examiner

1 Claim, 7 Drawing Sheets



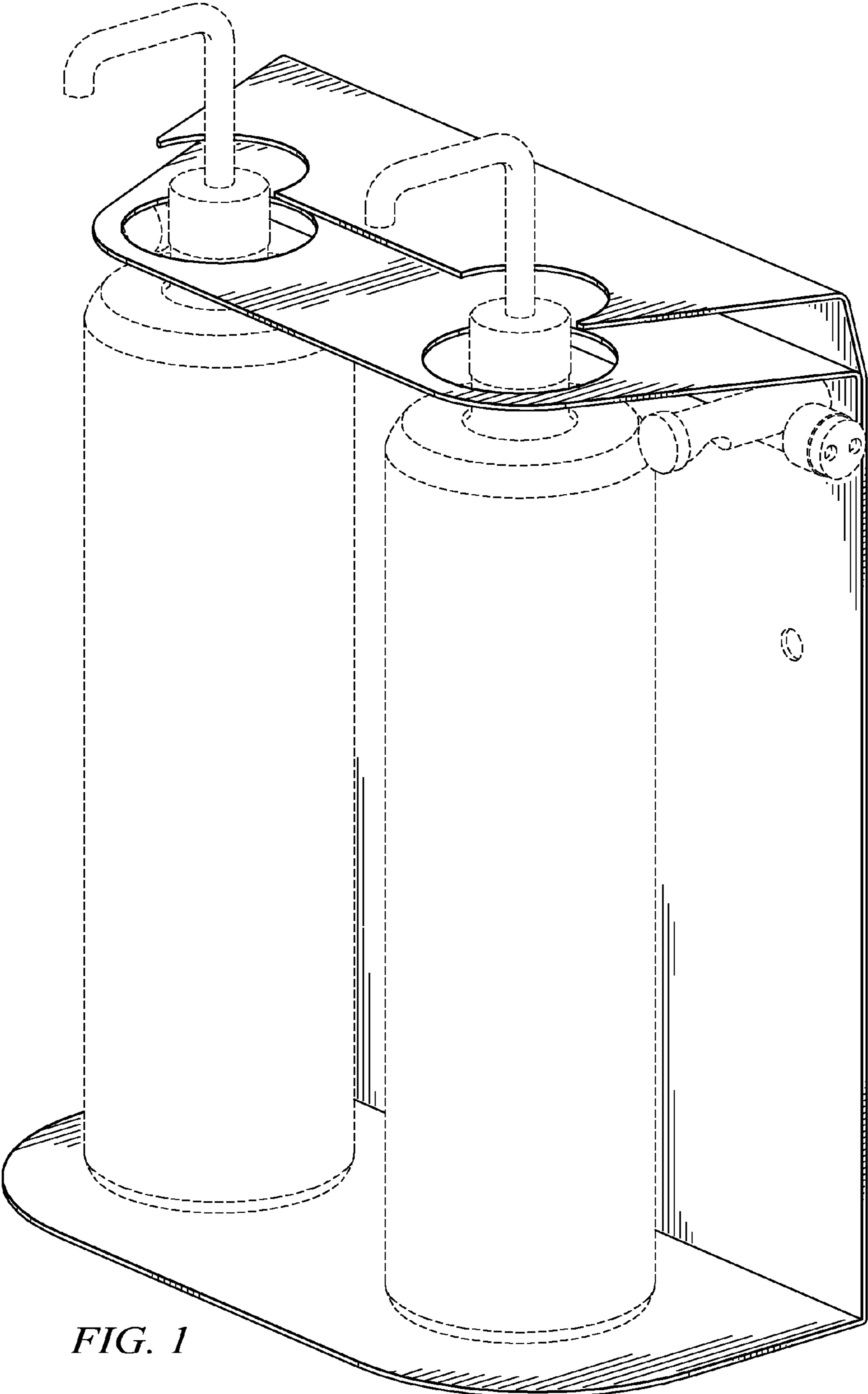


FIG. 1

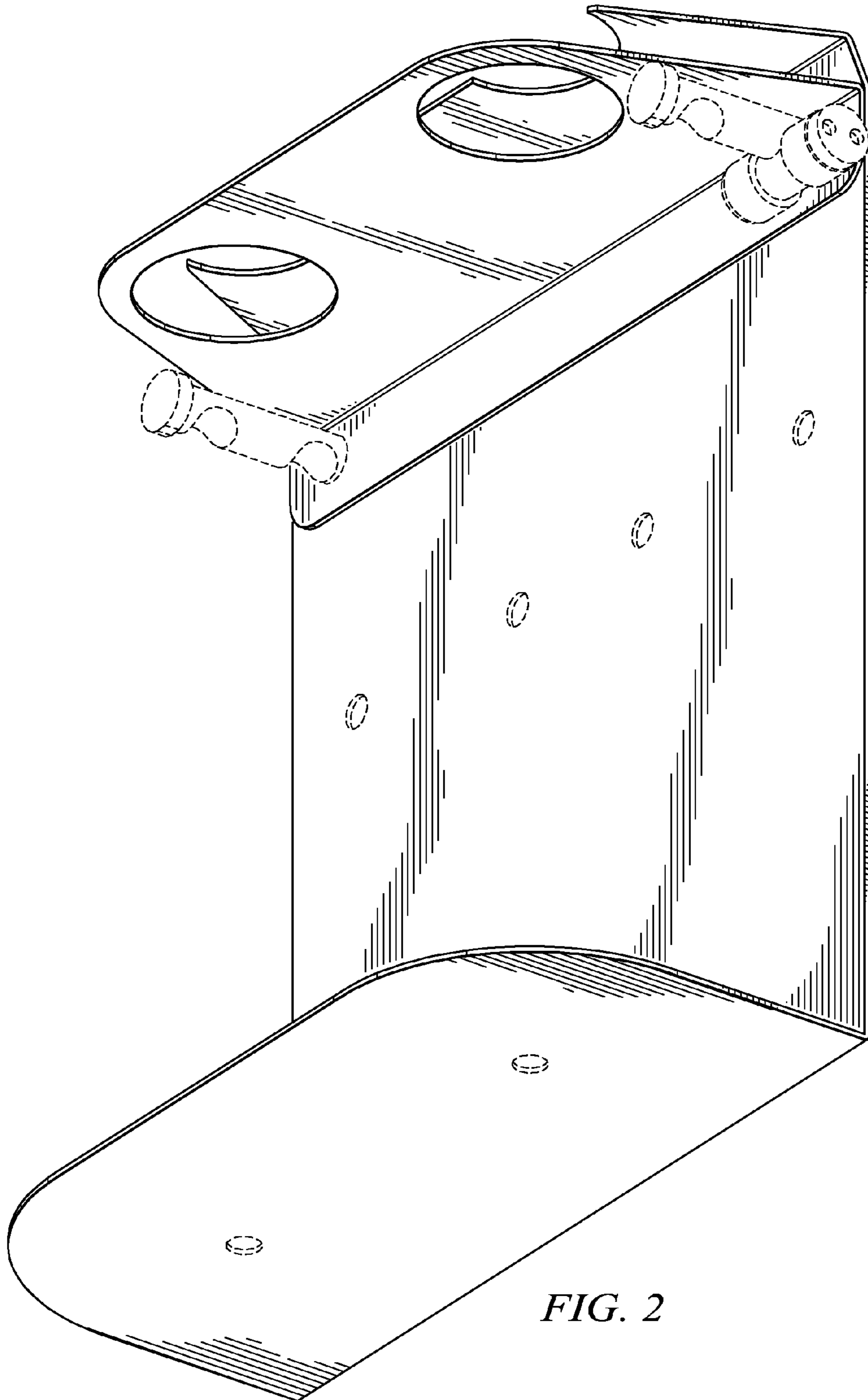


FIG. 2

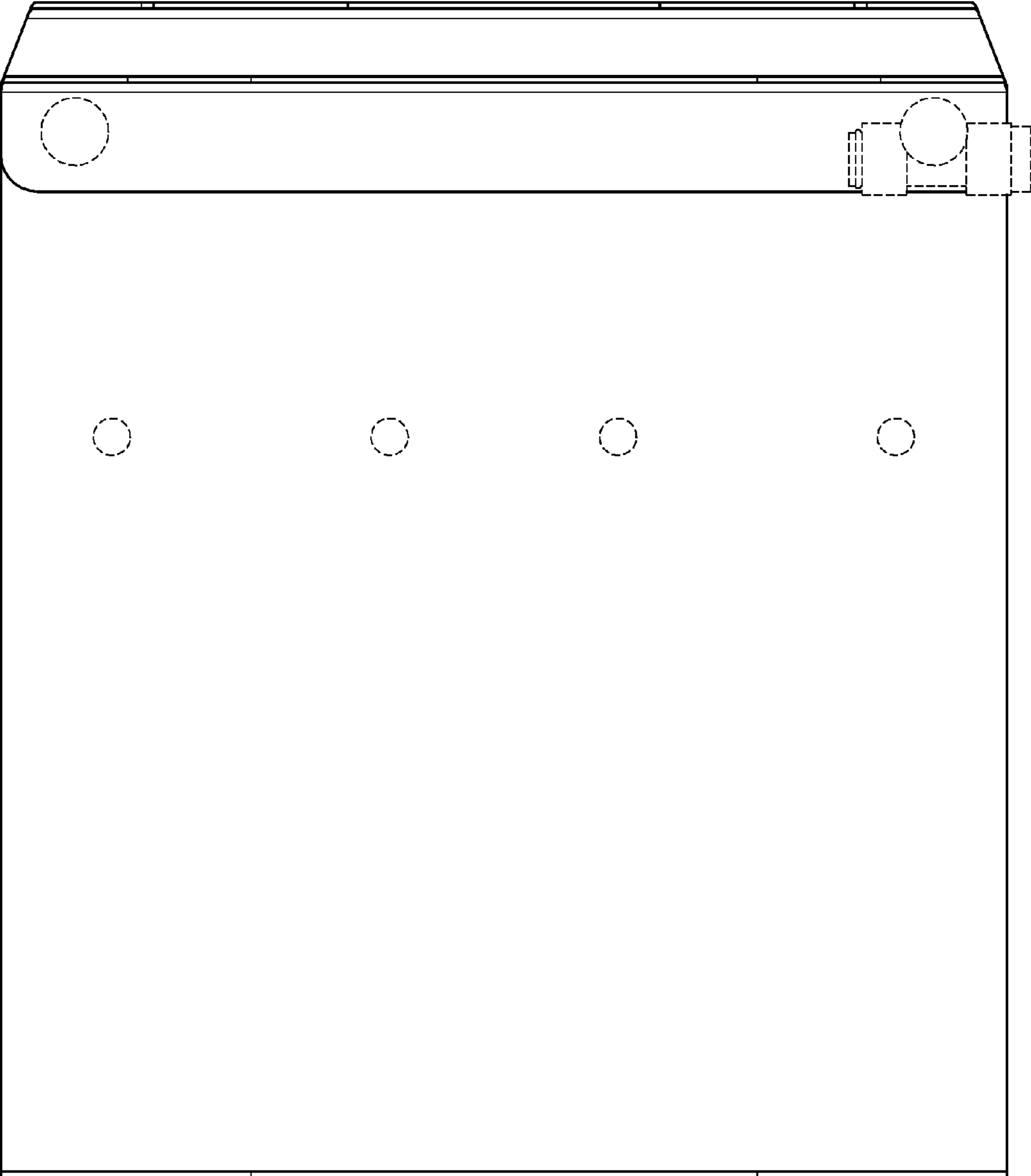


FIG. 3

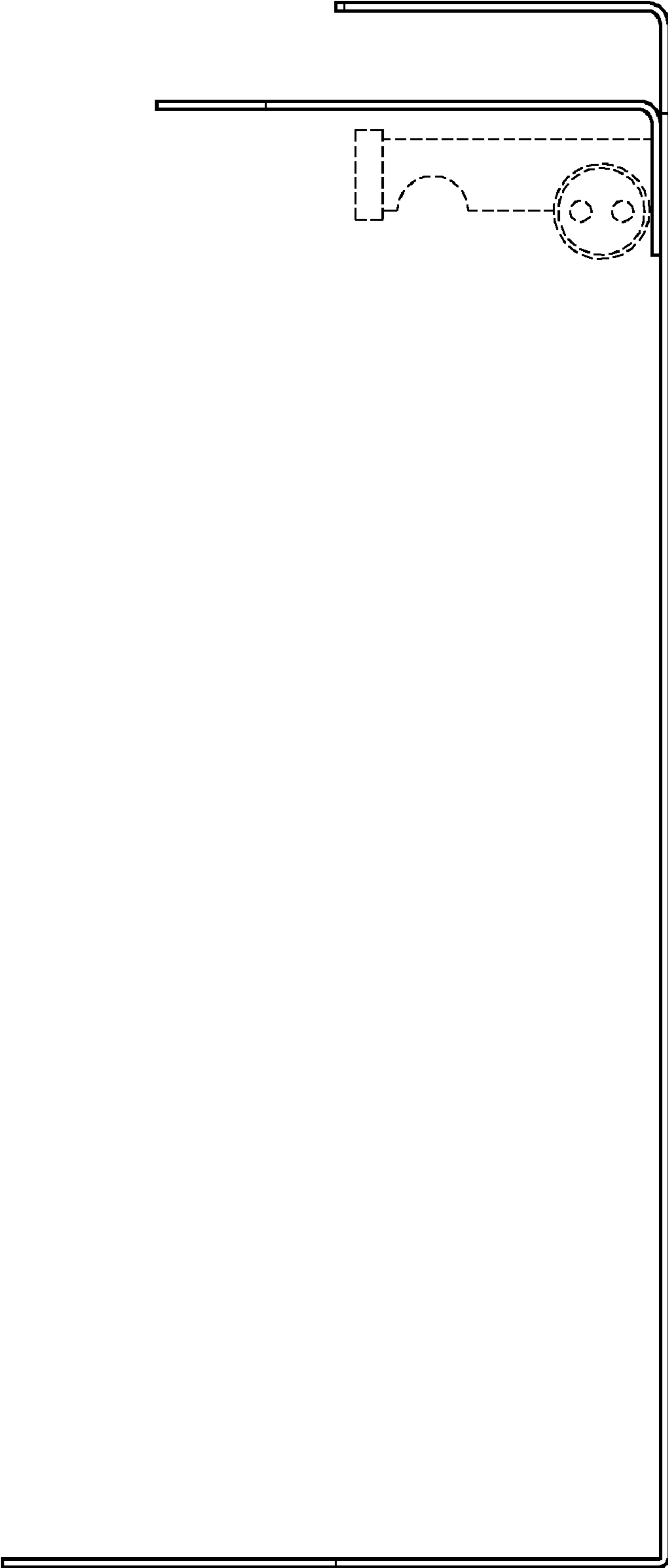


FIG. 4



FIG. 5

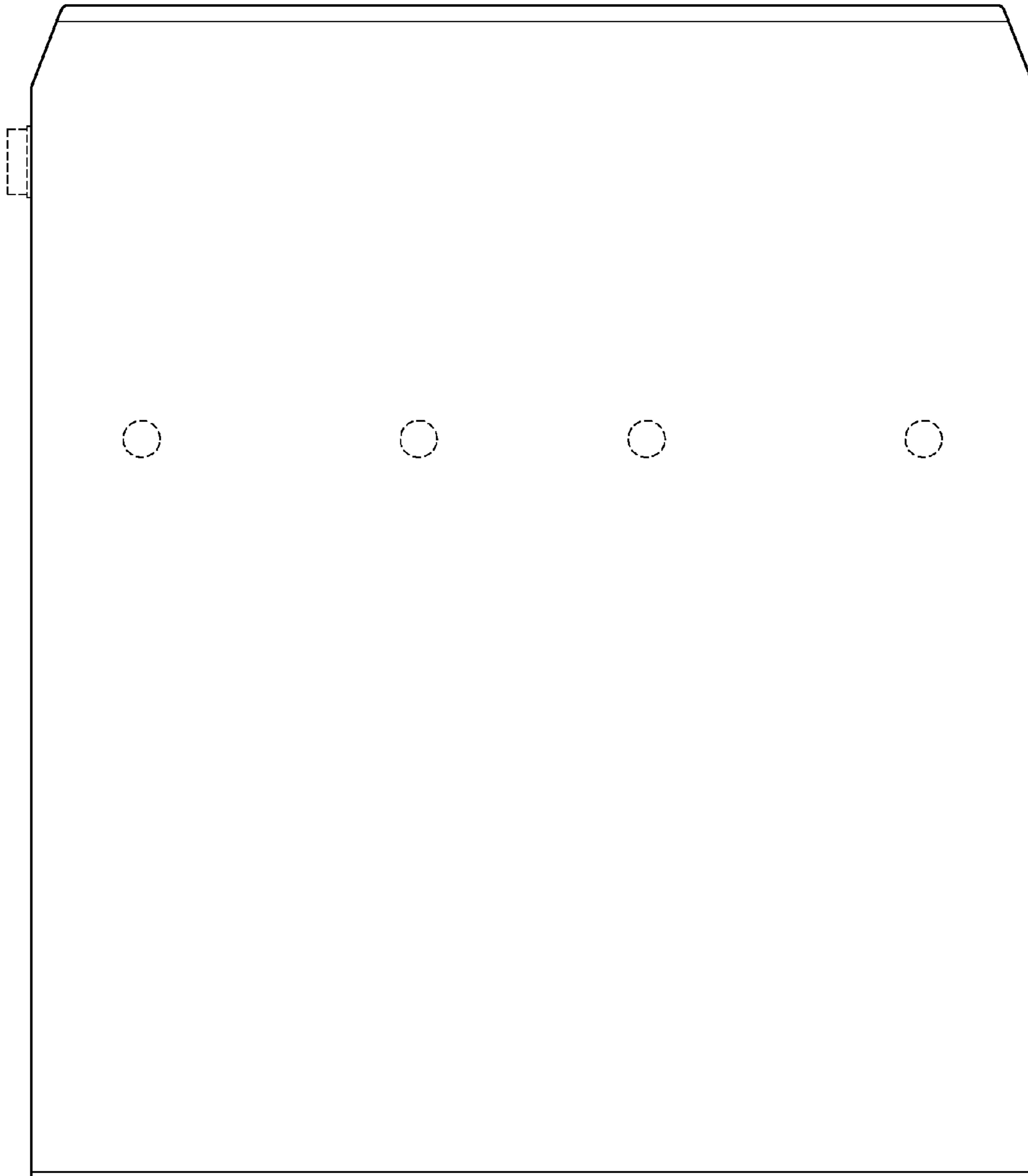


FIG. 6

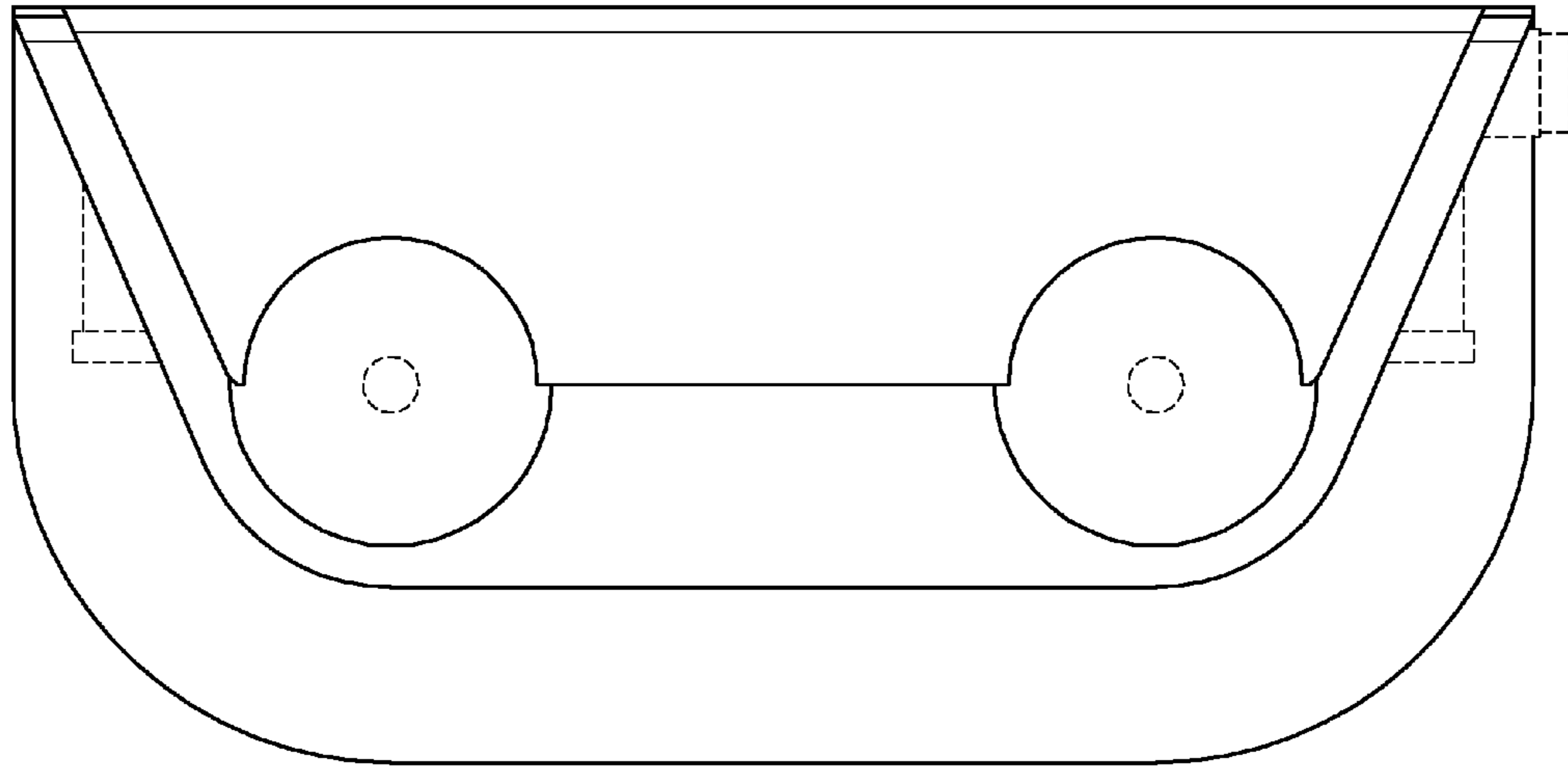


FIG. 7

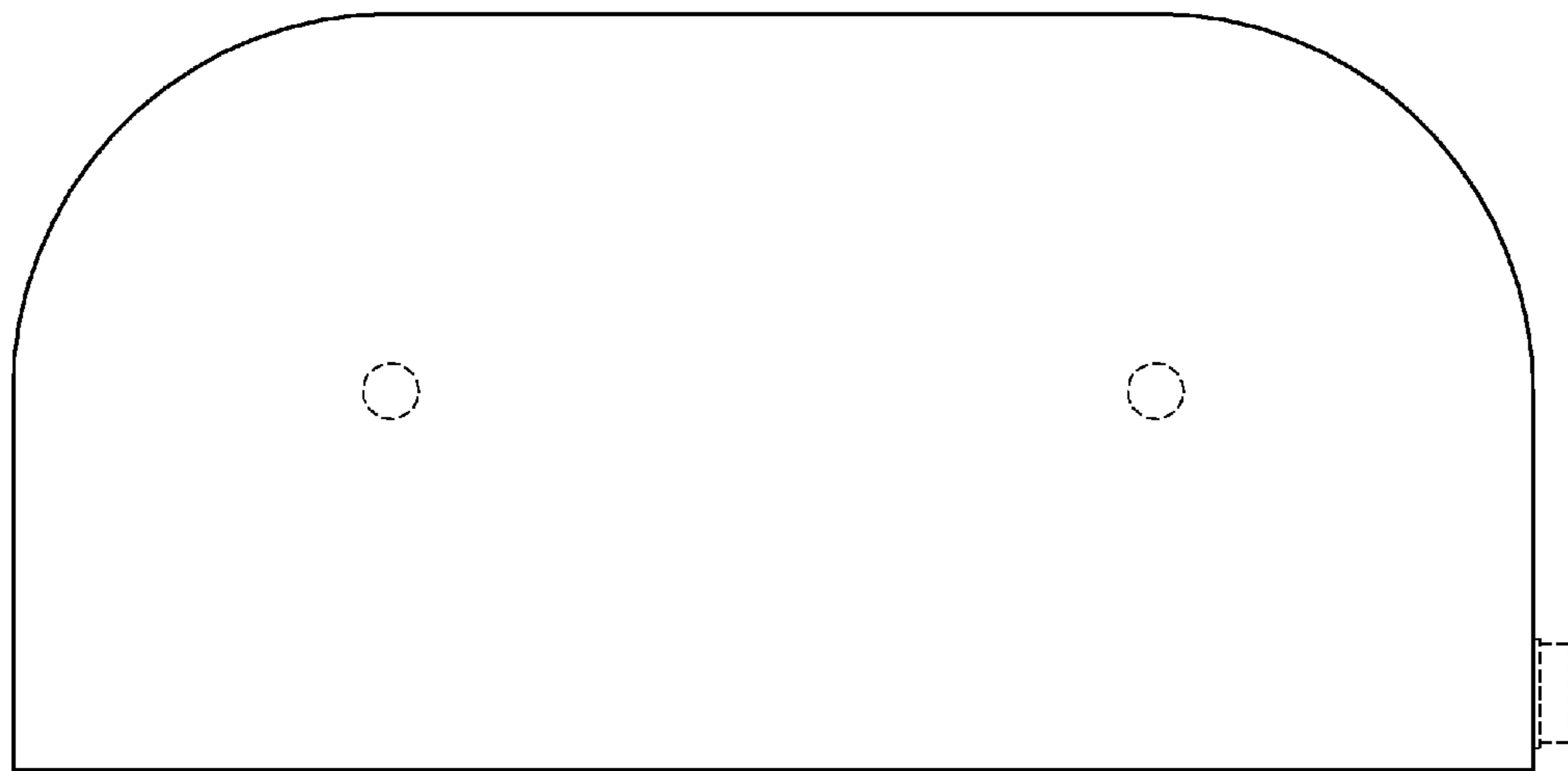


FIG. 8