



US00D626364S

(12) **United States Design Patent**  
**Fretwell**

(10) **Patent No.:** **US D626,364 S**

(45) **Date of Patent:** **\*\* Nov. 2, 2010**

(54) **TOOTHBRUSH HOLDER**

(76) Inventor: **Jason Fretwell**, Tilly's Haven Station  
Hill, Itchen Abbas, Winchester,  
Hampshire S021 1BD (GB)

(\*\*) Term: **14 Years**

(21) Appl. No.: **29/326,447**

(22) Filed: **Oct. 17, 2008**

**Related U.S. Application Data**

(63) Continuation-in-part of application No. 29/258,560,  
filed on Apr. 24, 2006, now abandoned.

(30) **Foreign Application Priority Data**

Oct. 24, 2005 (EM) ..... 424205-0001

(51) **LOC (9) Cl.** ..... **23-02**

(52) **U.S. Cl.** ..... **D6/534**

(58) **Field of Classification Search** ..... D6/534,  
D6/526-528; 206/208, 209, 209.1, 228,  
206/361, 362.1, 362.2; 211/13.1, 65-66,  
211/70.6

See application file for complete search history.

(56) **References Cited**

**U.S. PATENT DOCUMENTS**

D279,941 S \* 8/1985 Anglin, Jr. .... D6/534  
4,880,020 A \* 11/1989 Schurgin ..... 206/362.2  
D327,171 S \* 6/1992 Moore ..... D6/534

D415,917 S \* 11/1999 Salazar et al. .... D6/534  
D468,945 S \* 1/2003 Dretzka ..... D6/534  
D545,062 S \* 6/2007 Nagoya ..... D6/534  
D570,144 S \* 6/2008 Scofield ..... D6/534

**OTHER PUBLICATIONS**

Fretwell, U.S. Appl. No. 29/258,560, Office Action Communication,  
Jun. 6, 2007, 5 pages.

Fretwell, U.S. Appl. No. 29/258,560, Office Action Communication,  
Apr. 17, 2008, 7 pages.

\* cited by examiner

*Primary Examiner*—Brian N Vinson

(74) *Attorney, Agent, or Firm*—Hoffman Warnick LLC

(57) **CLAIM**

The ornamental design for a toothbrush holder, as shown and  
described.

**DESCRIPTION**

FIG. 1 is a side elevational view of a toothbrush holder show-  
ing my new design;

FIG. 2 is a front elevational view thereof;

FIG. 3 is a top plan view thereof;

FIG. 4 is a bottom, front, and side perspective view thereof;

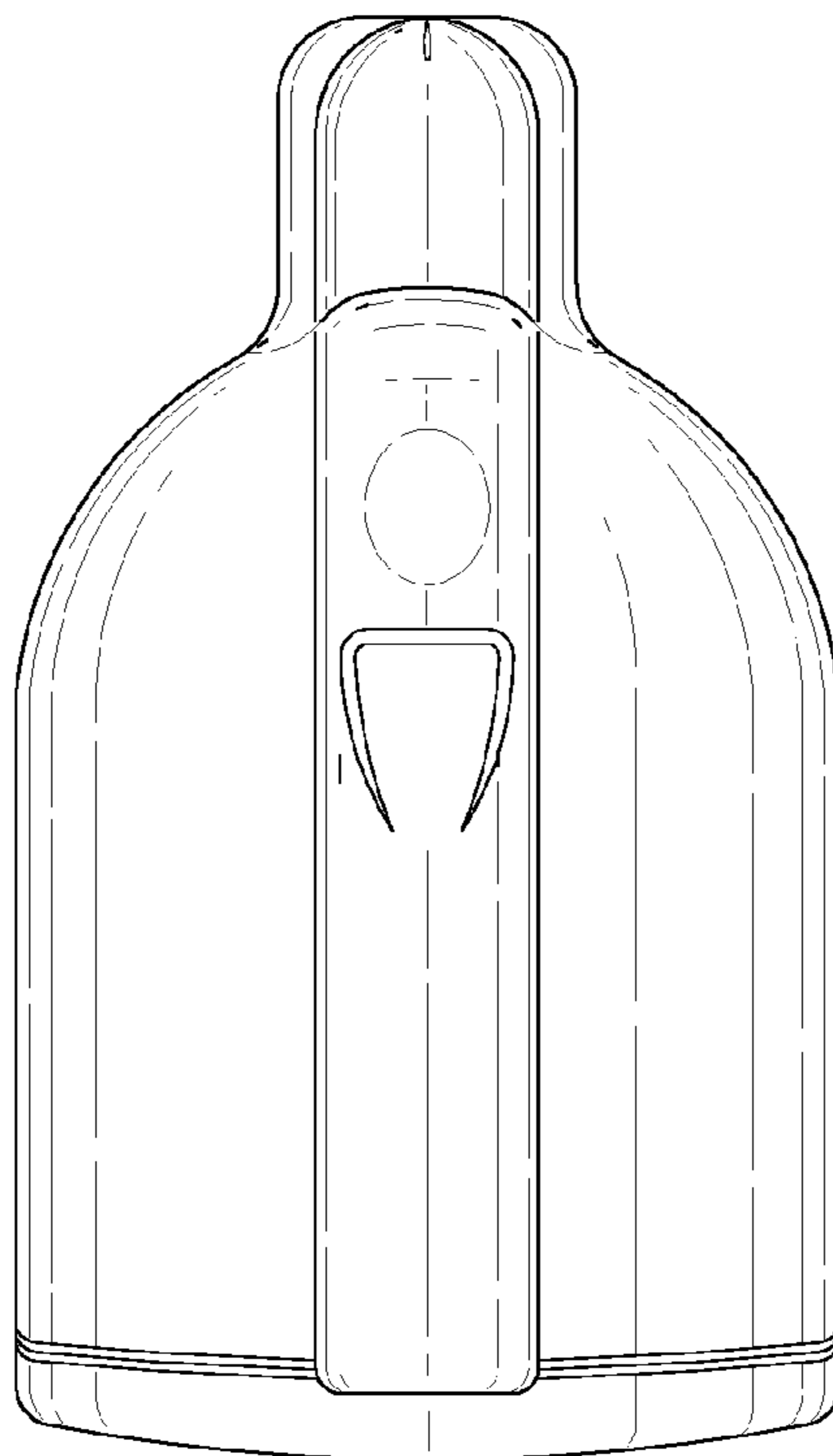
FIG. 5 is a top and side perspective view thereof;

FIG. 6 is a bottom and side perspective view thereof;

FIG. 7 is a top and front perspective view thereof; and,

FIG. 8 is a front and side perspective view thereof.

**1 Claim, 4 Drawing Sheets**



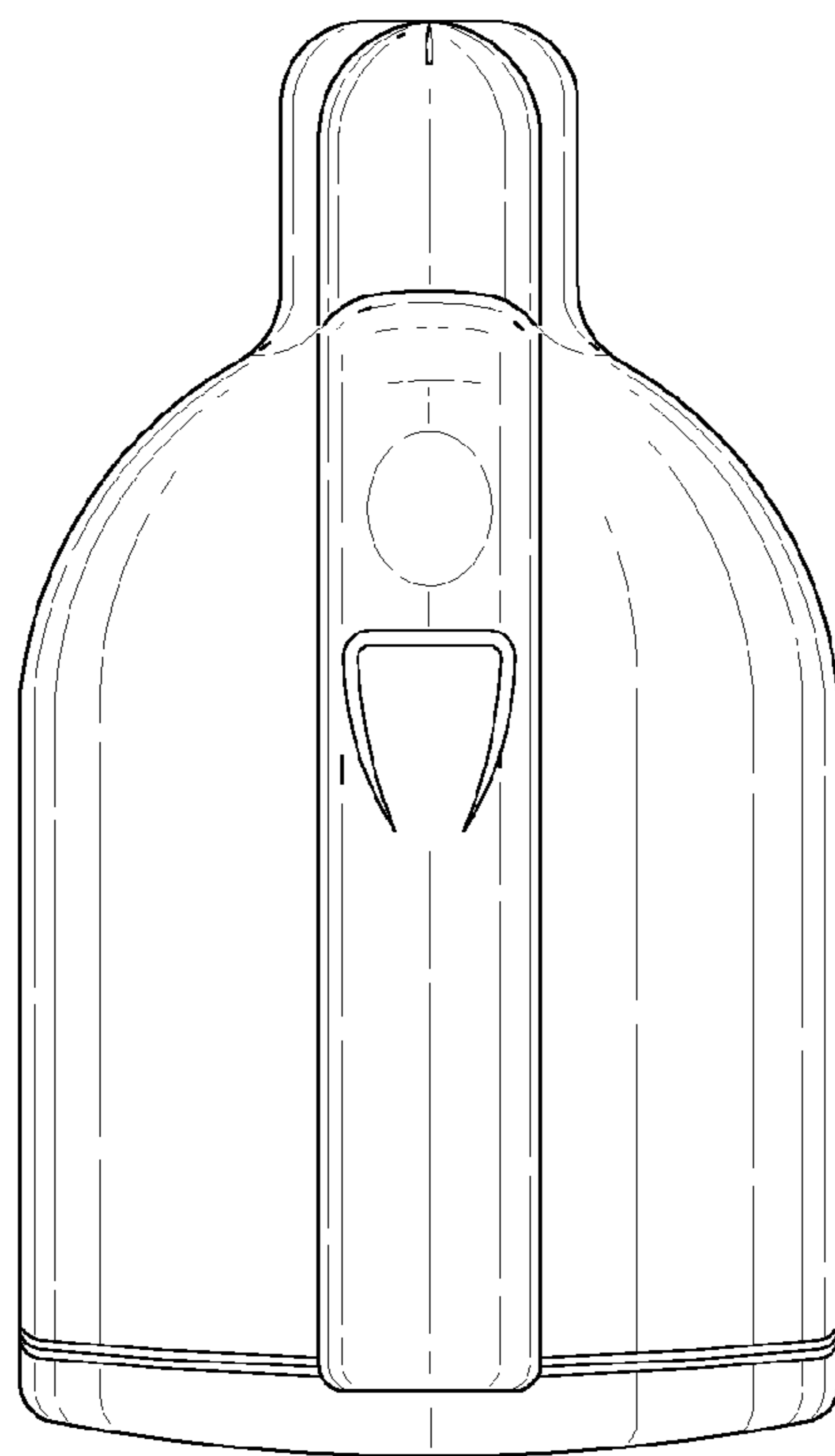


Fig.1

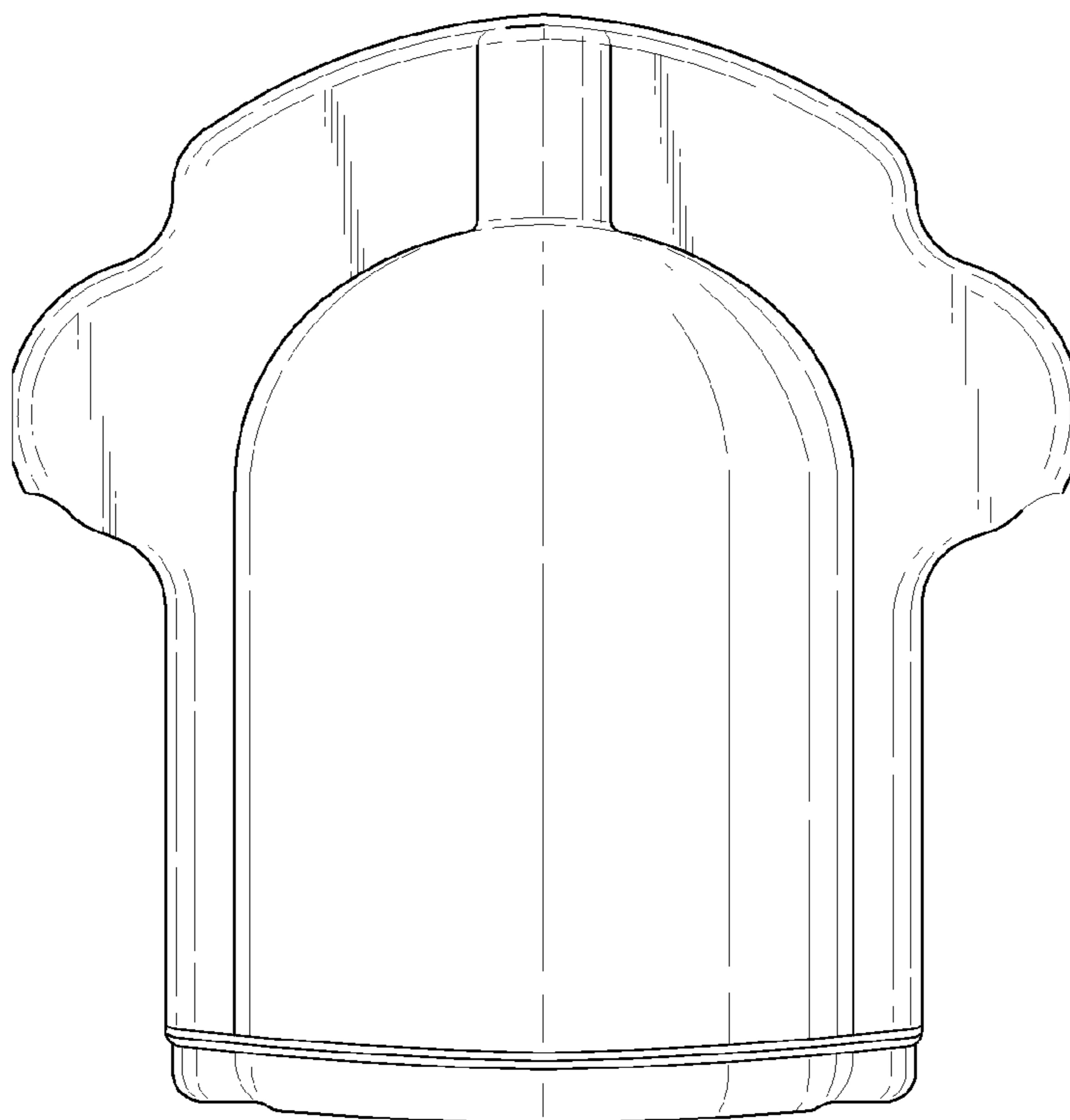


Fig.2

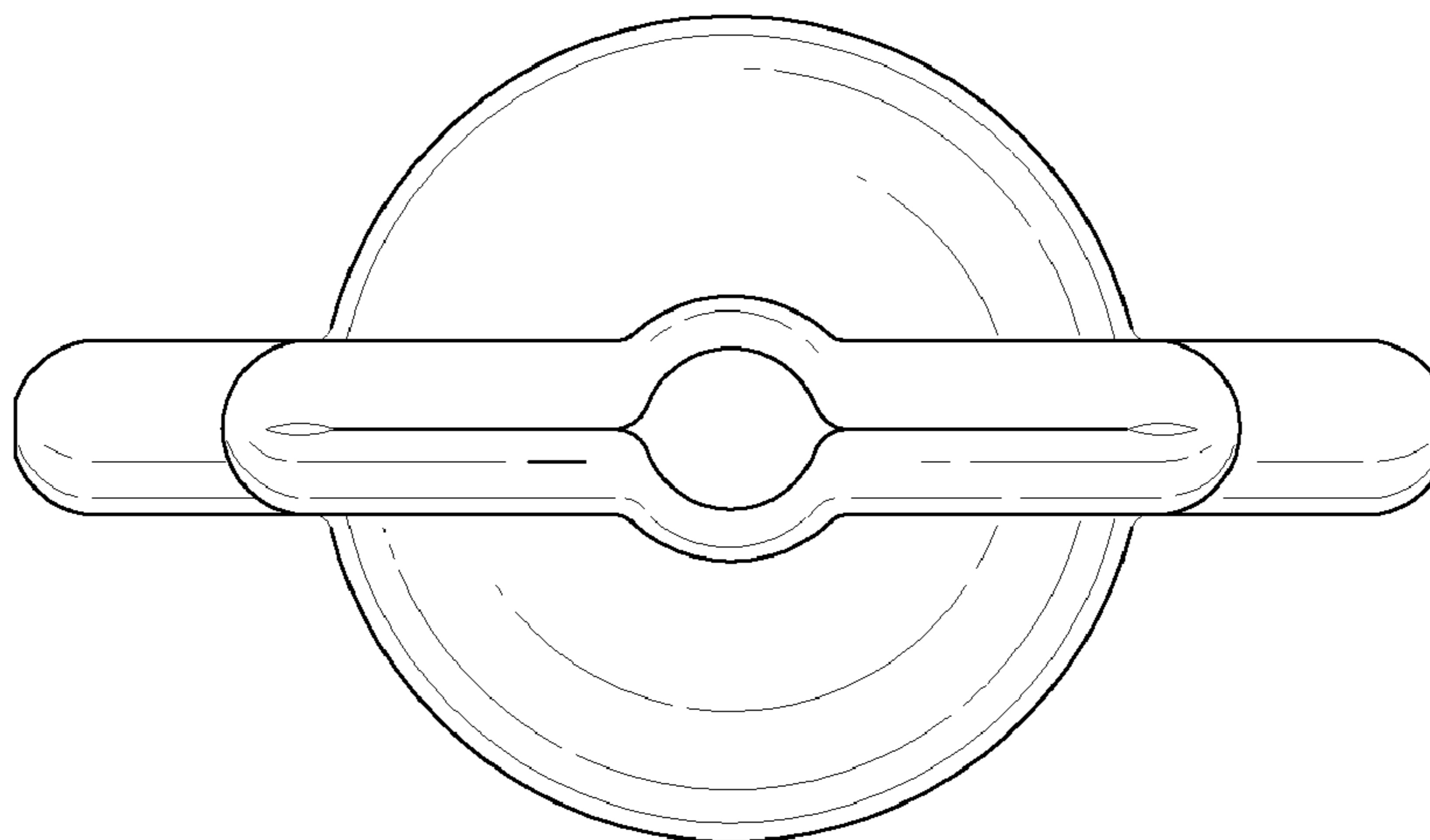


Fig.3

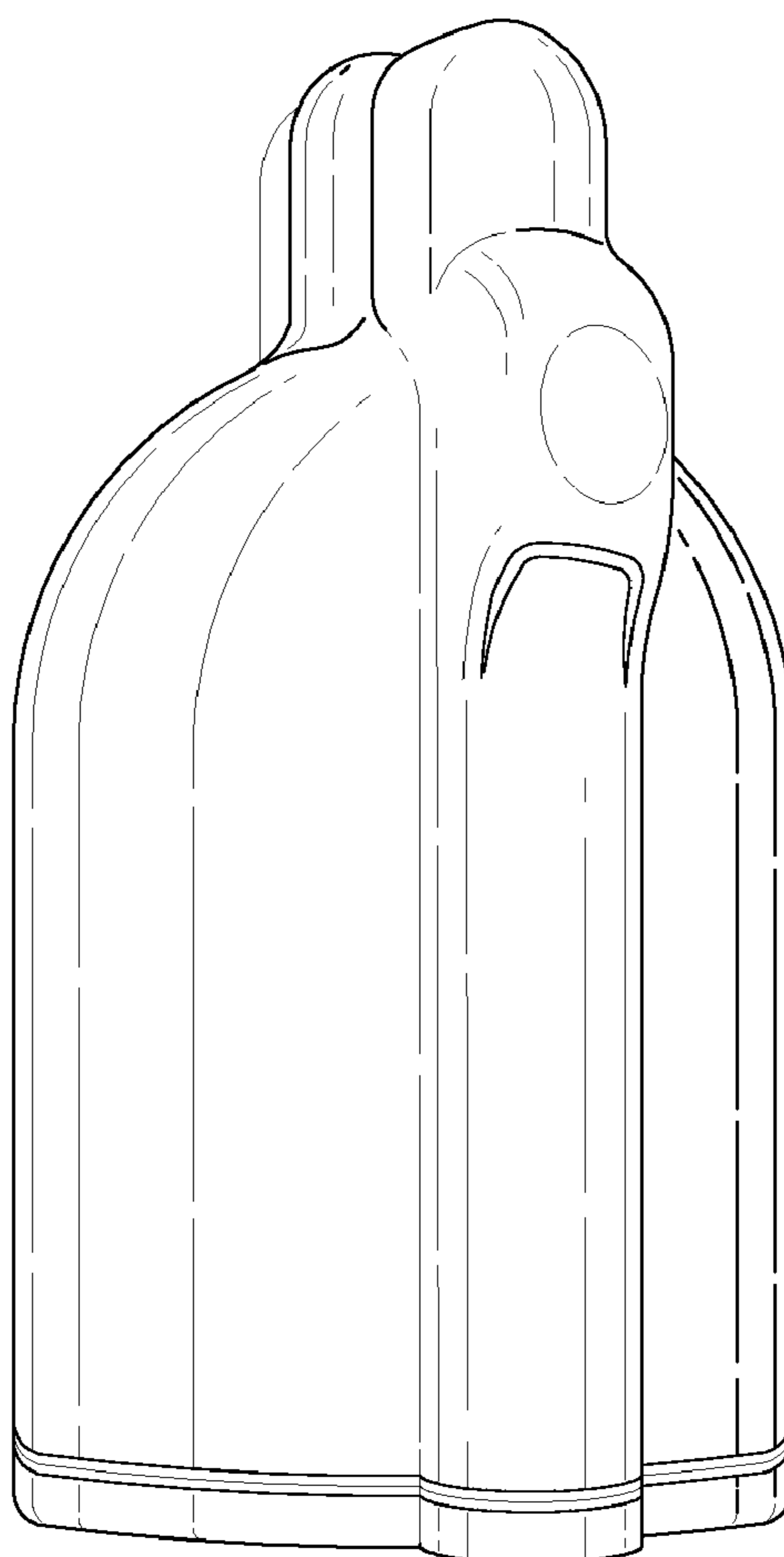


Fig.4

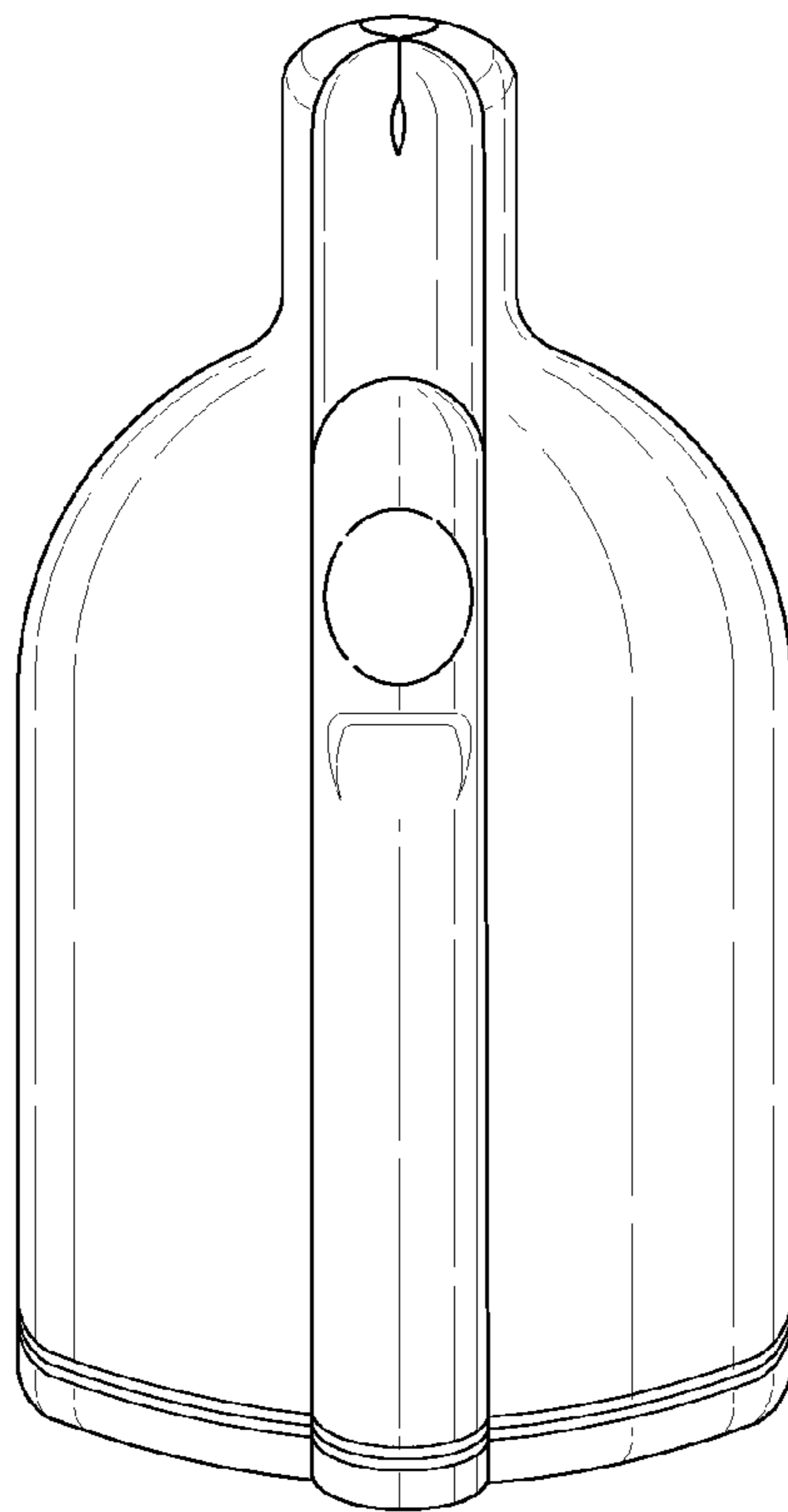


Fig.5

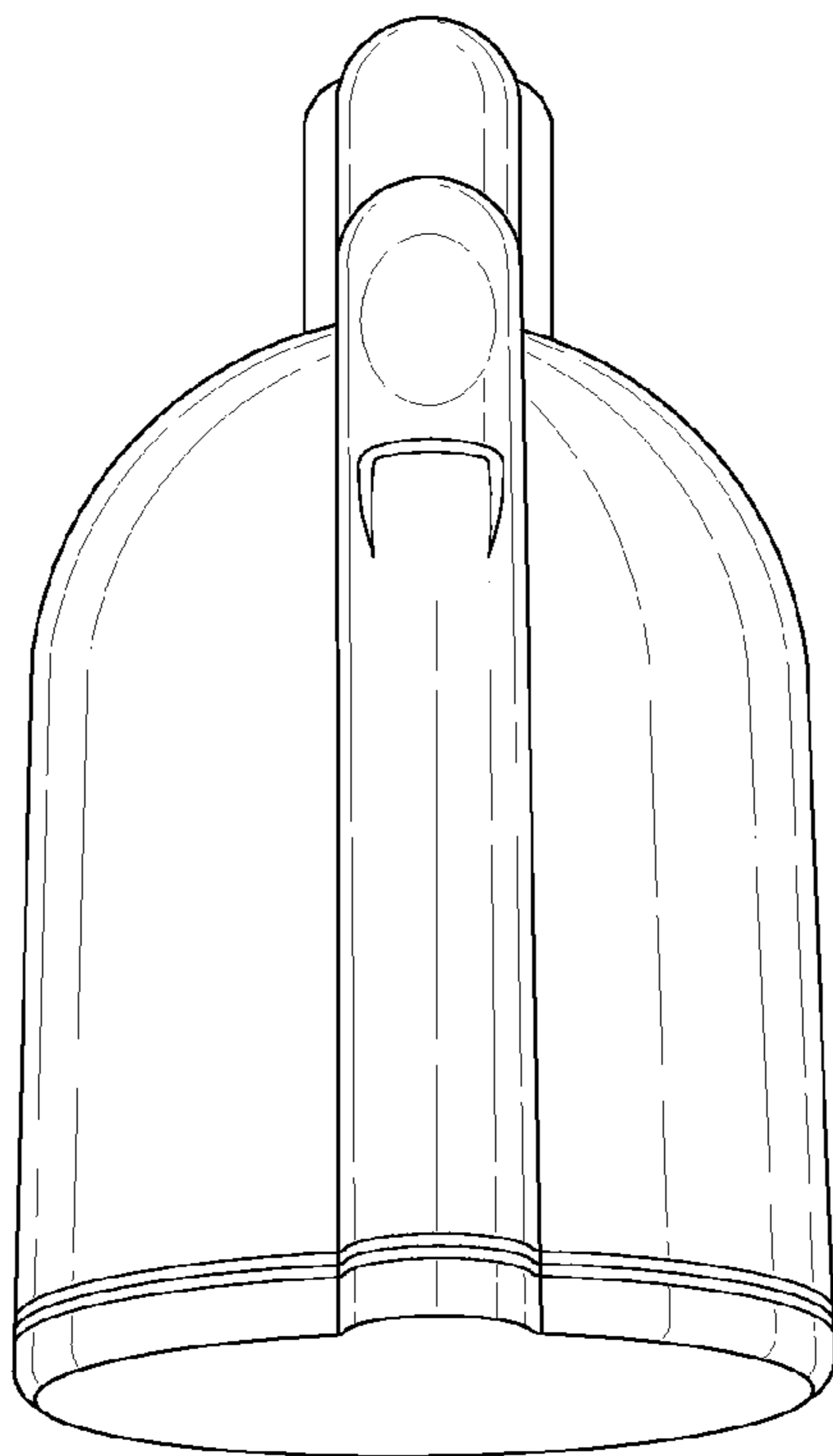


Fig.6

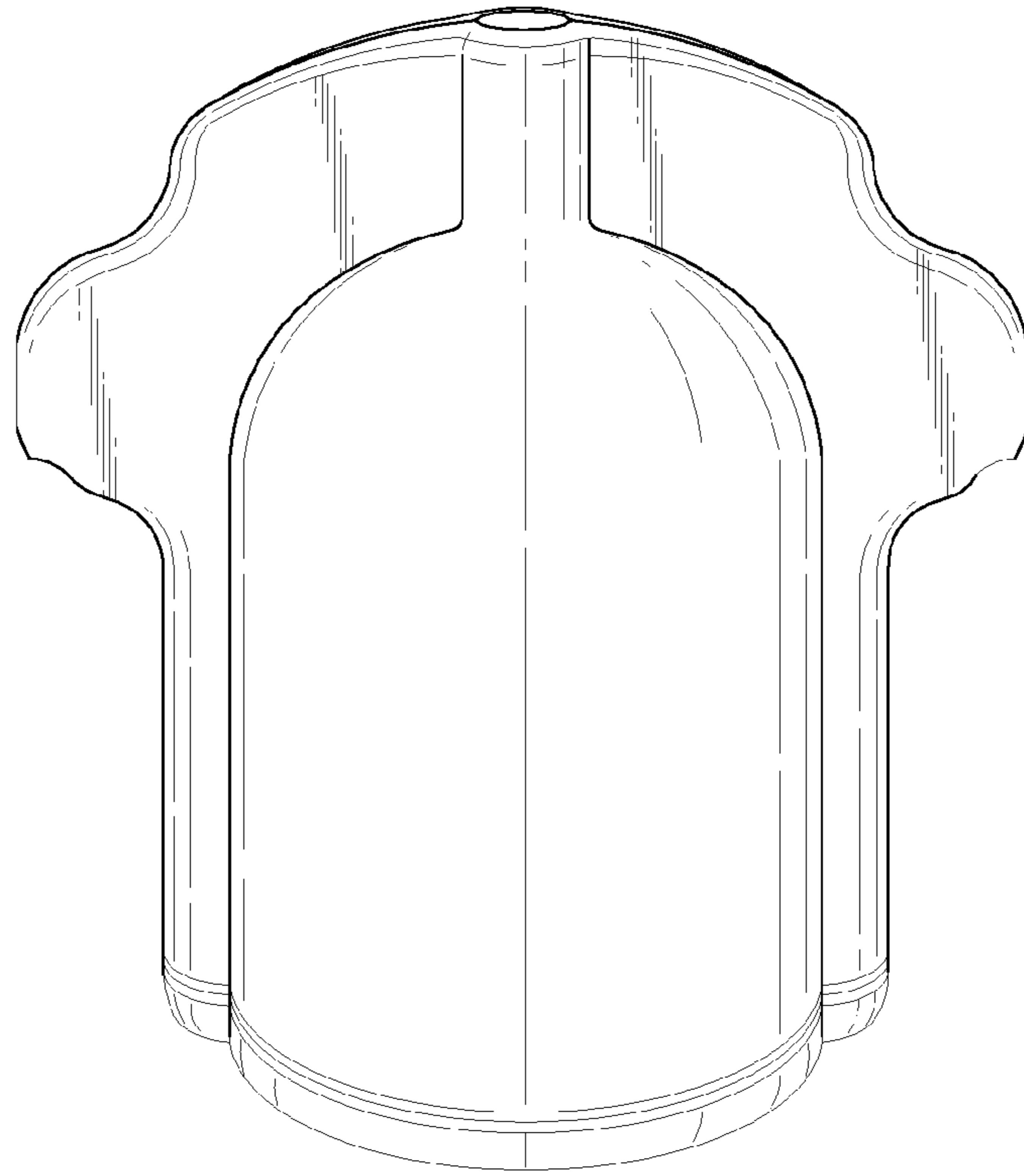


Fig.7

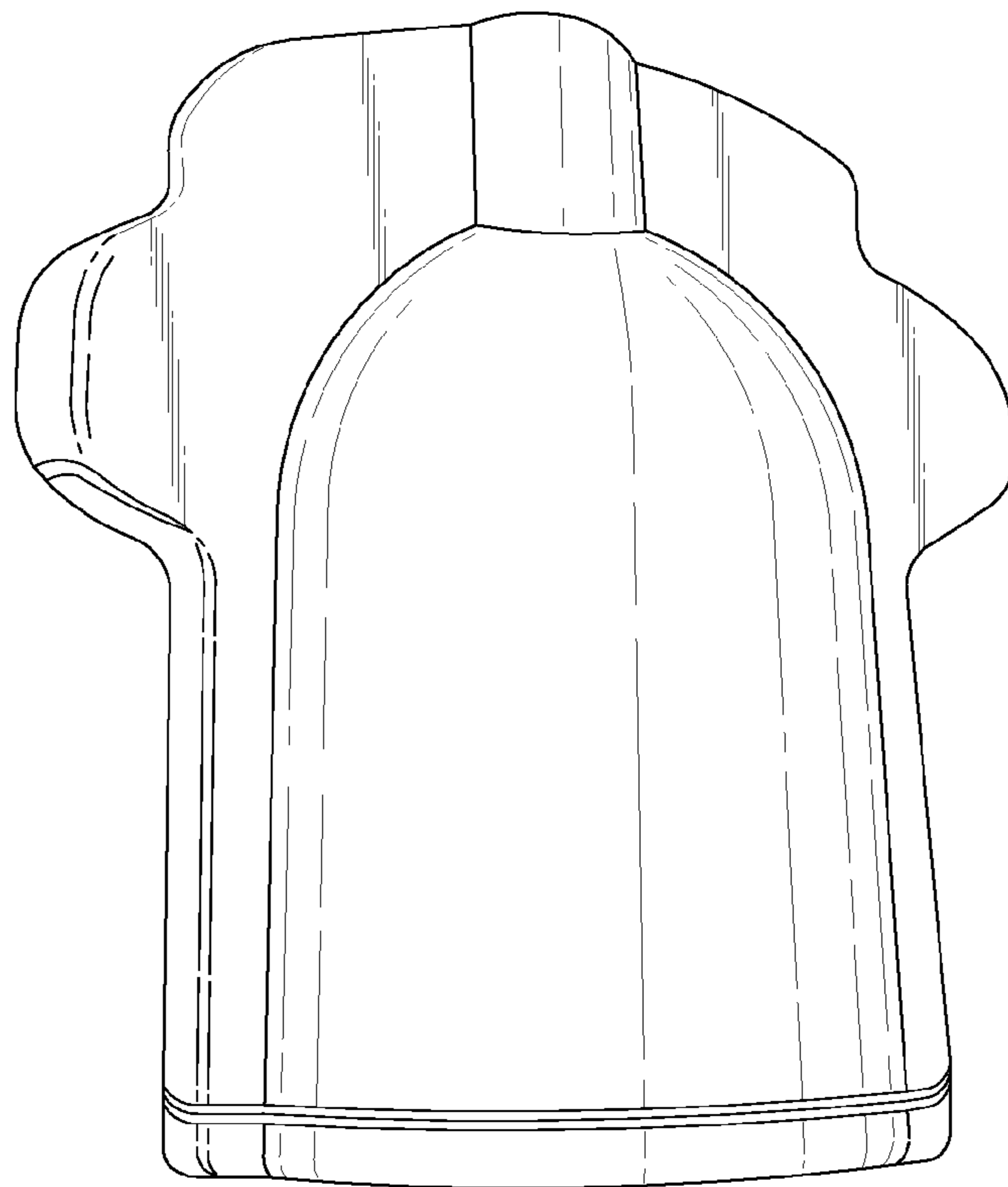


Fig.8