



US00D626363S

(12) **United States Design Patent**  
**Yang et al.**

(10) **Patent No.:** **US D626,363 S**

(45) **Date of Patent:** **\*\* Nov. 2, 2010**

(54) **SINK ORGANIZER**

D566,919 S \* 4/2008 Snell ..... D6/525  
D598,688 S \* 8/2009 Yang et al. .... D6/525

(75) Inventors: **Frank Yang**, Rancho Palos Verdes, CA (US); **Tzu Hao Wei**, Hacienda Heights, CA (US); **Myk Lum**, Irvine, CA (US); **Helen Tang**, Rowland Heights, CA (US)

\* cited by examiner

*Primary Examiner*—Brian N Vinson  
(74) *Attorney, Agent, or Firm*—Liu & Liu

(73) Assignee: **Simplehuman LLC**, Torrance, CA (US)

(57) **CLAIM**

(\*\*) Term: **14 Years**

The ornamental design for the sink organizer, as shown and described.

(21) Appl. No.: **29/313,060**

(22) Filed: **Dec. 2, 2008**

**DESCRIPTION**

(51) **LOC (9) Cl.** ..... **23-02**

FIG. 1 is a top, front, and right side perspective view of a sink organizer showing our new design;

(52) **U.S. Cl.** ..... **D6/525**

FIG. 2 is a front elevational view thereof;

(58) **Field of Classification Search** ..... D6/524–525,  
D6/566; 108/14, 28, 47, 137, 143; 211/13.1,  
211/71, 74, 75, 86.01, 126.1, 126.9, 133.5;  
248/441.1

FIG. 3 is a rear elevational view thereof;

FIG. 4 is a right side elevational view thereof;

FIG. 5 is a left side elevational view thereof;

See application file for complete search history.

FIG. 6 is a top plan view thereof; and,

FIG. 7 is a bottom plan view thereof.

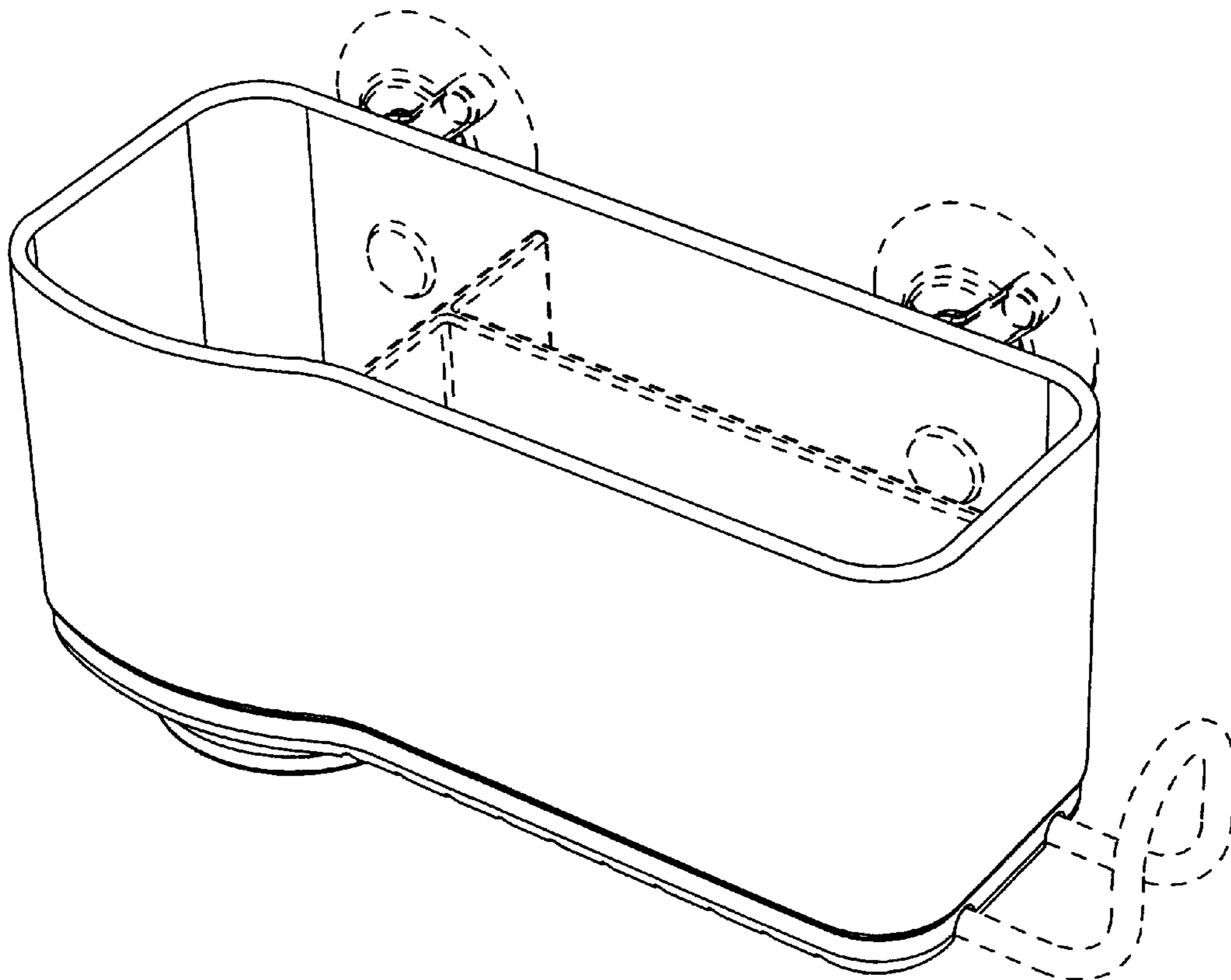
(56) **References Cited**

The broken-line disclosure is understood to represent portions of the article in which the claimed design is embodied, but which form no part of the claimed design.

**U.S. PATENT DOCUMENTS**

D441,996 S \* 5/2001 Wright ..... D6/525  
D483,587 S \* 12/2003 Snell ..... D6/525  
D530,948 S \* 10/2006 Snell ..... D6/525

**1 Claim, 7 Drawing Sheets**



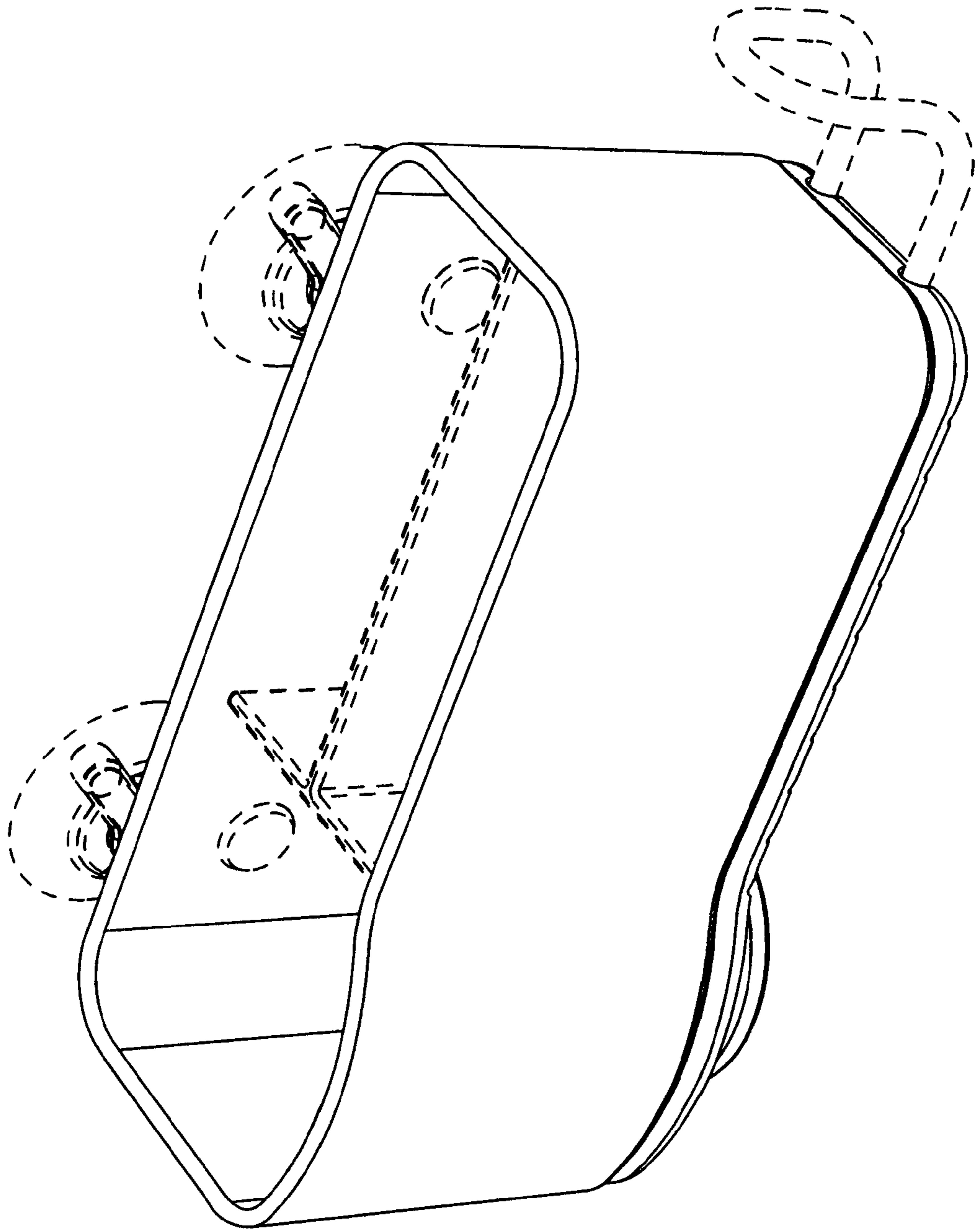
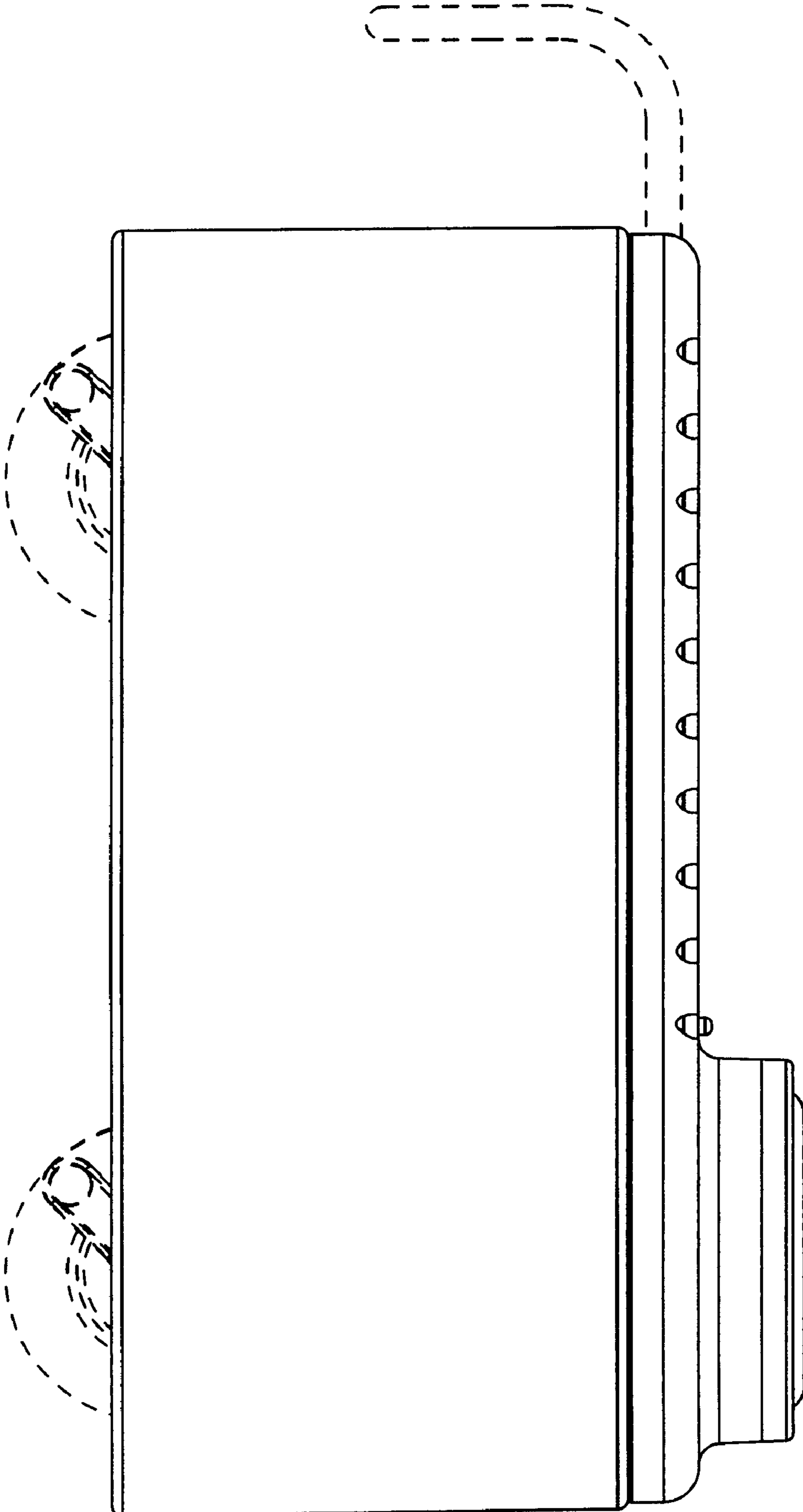


FIG. 1

FIG. 2



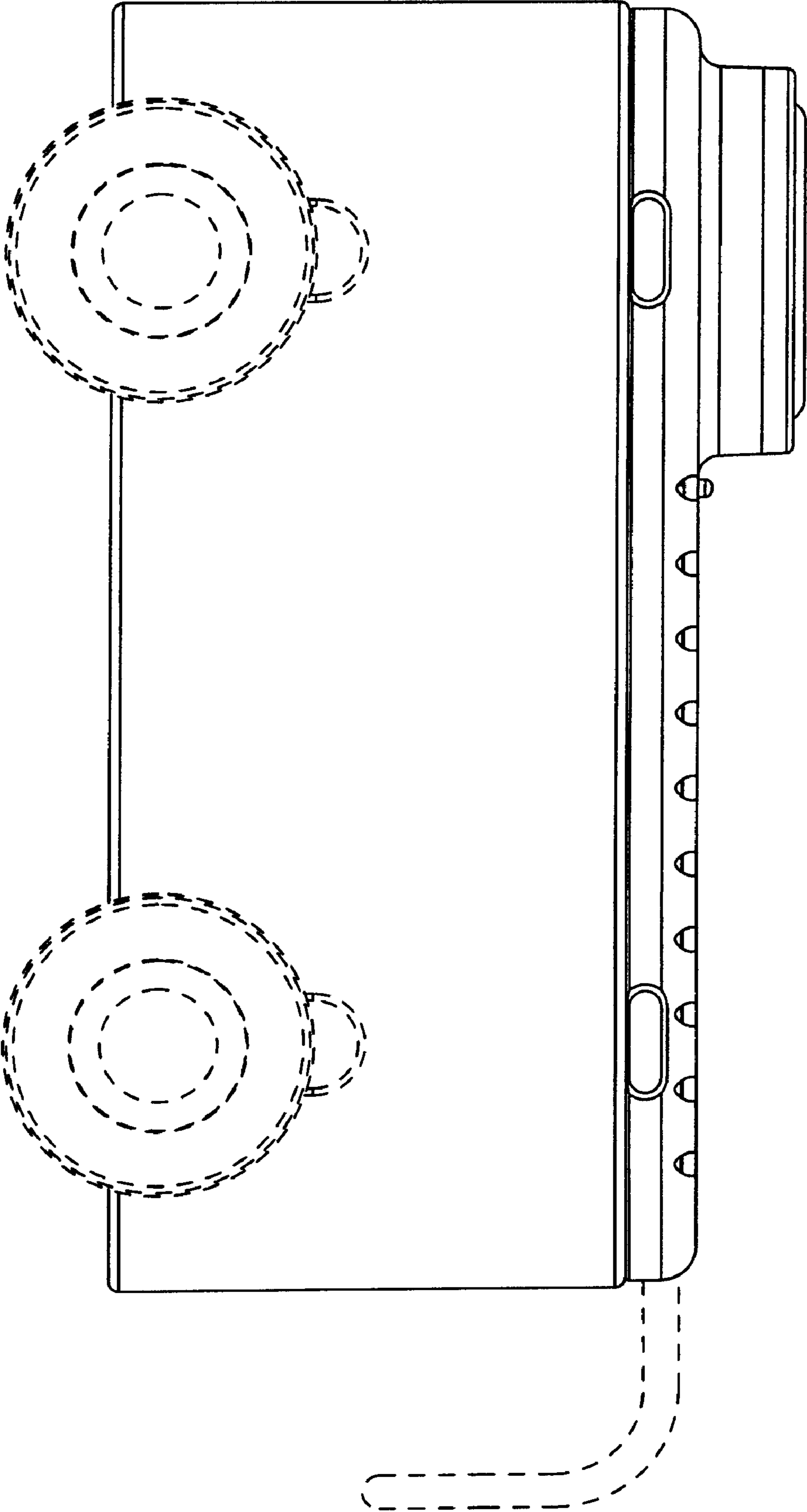


FIG. 3

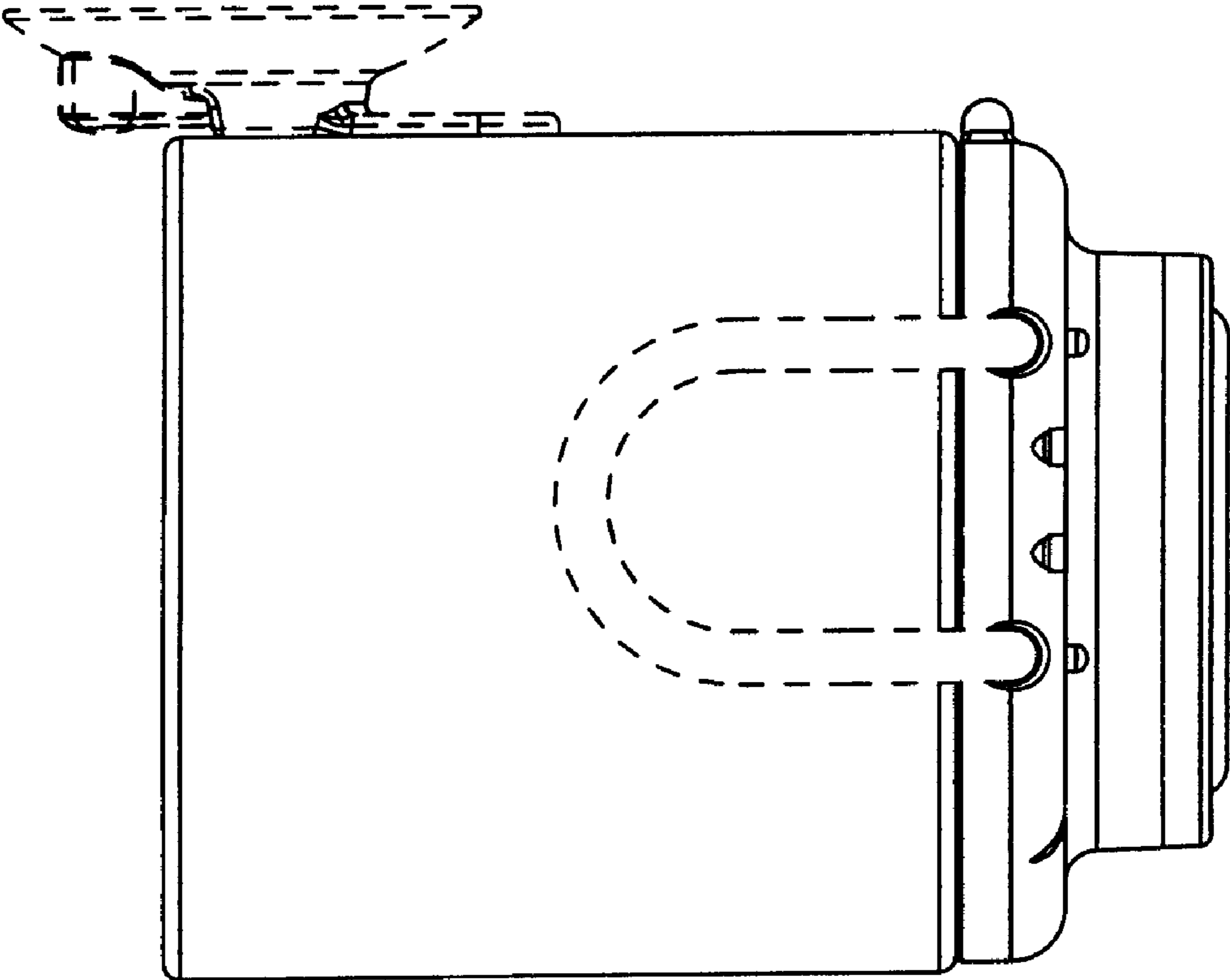


FIG. 4

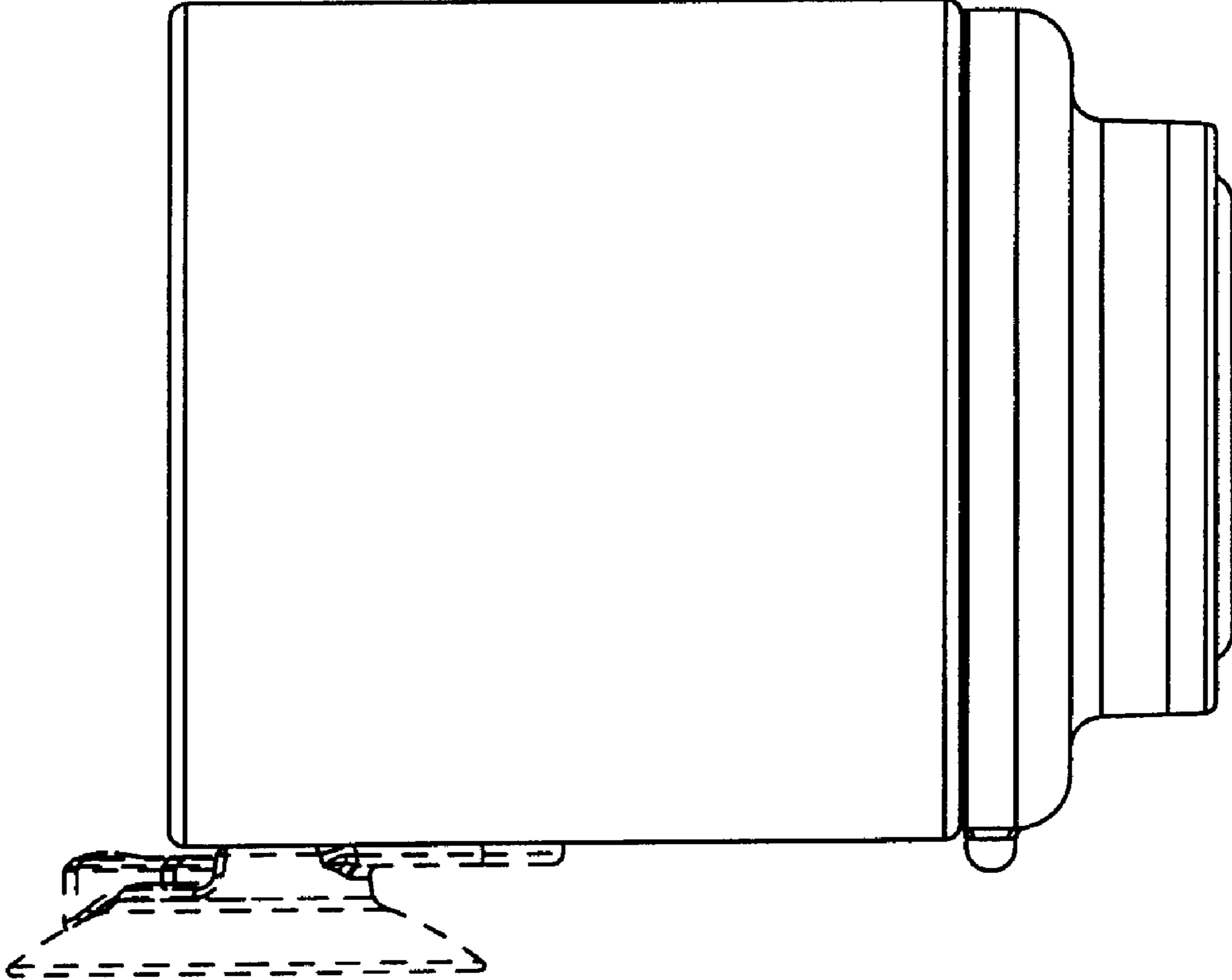
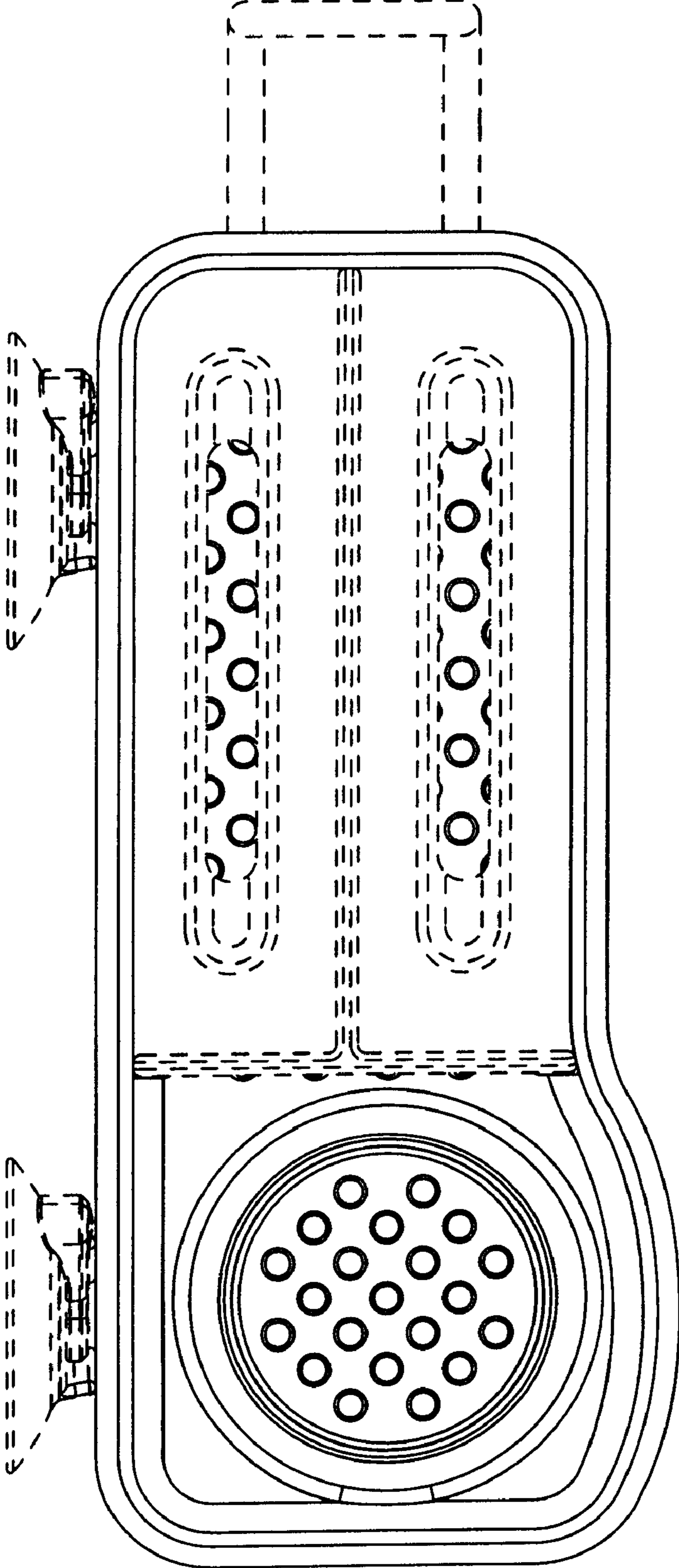


FIG. 5

FIG. 6



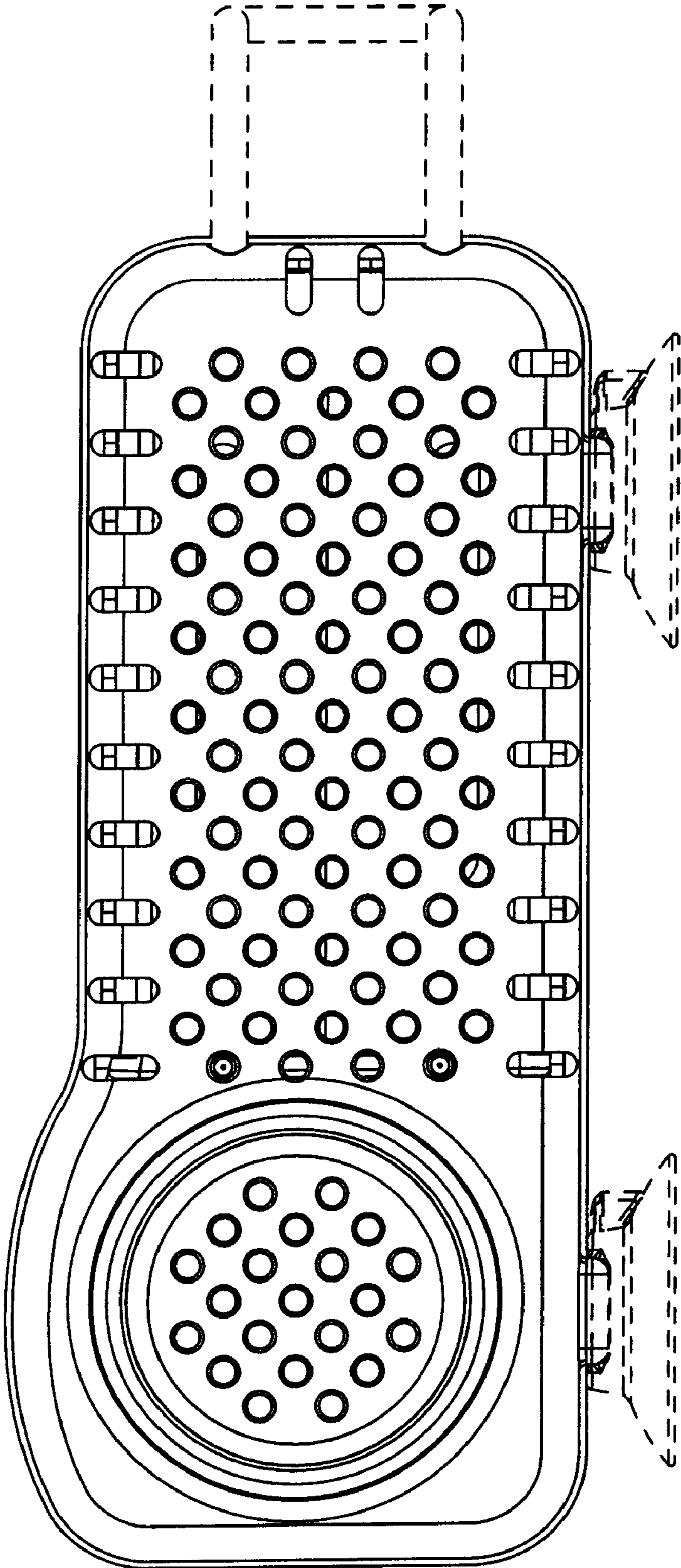


FIG. 7