



US00D626362S

(12) **United States Design Patent**
Martin

(10) **Patent No.:** **US D626,362 S**

(45) **Date of Patent:** **** Nov. 2, 2010**

(54) **SEAT COVER HOLDER**

D578,329 S * 10/2008 Wells et al. D6/518
D578,330 S * 10/2008 Corral D6/522

(76) Inventor: **Debra Martin**, 15823 16th St., Phoenix,
AZ (US) 85022

* cited by examiner

(**) Term: **14 Years**

Primary Examiner—Brian N Vinson

(74) *Attorney, Agent, or Firm*—Harpman & Harpman

(21) Appl. No.: **29/348,845**

(57) **CLAIM**

(22) Filed: **Feb. 16, 2010**

The ornamental design for a seat cover holder, as shown and described.

(51) **LOC (9) Cl.** **20-02**

(52) **U.S. Cl.** **D6/518**

(58) **Field of Classification Search** D6/515–523;
206/225, 233, 389, 391; 211/13.1, 45; 242/570,
242/590; 248/309.1, 309.2, 905; 221/26,
221/33, 282–283; 222/173, 180

See application file for complete search history.

DESCRIPTION

FIG. 1 is a perspective view of the ornamental design for a wall dispenser of the invention.

FIG. 2 is a front elevational view thereof.

FIG. 3 is a rear elevational view thereof.

FIG. 4 is a left side elevational view thereof, the right side being a mirror image thereof; and,

FIG. 5 is a bottom plan view thereof.

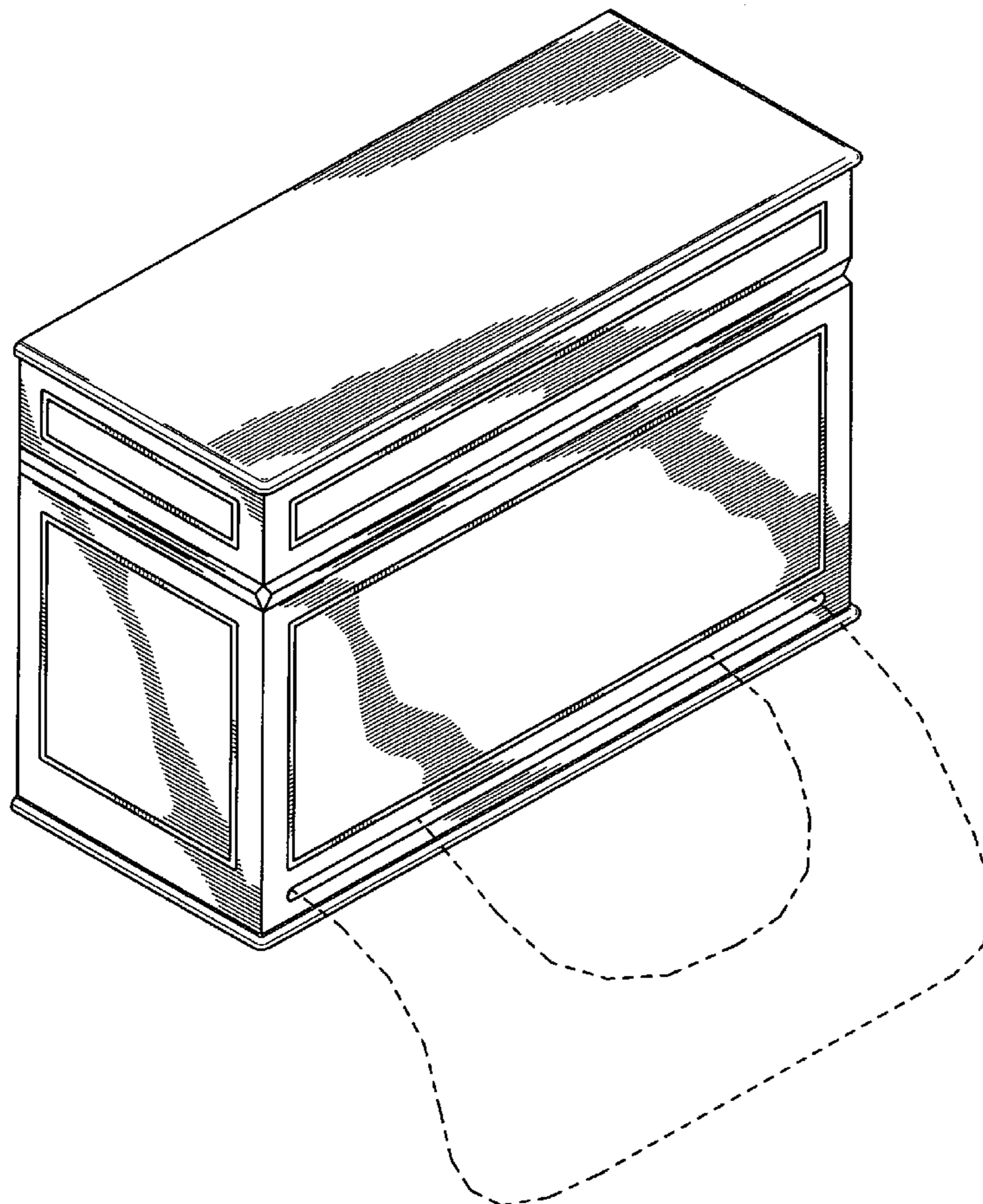
The fragmentary broken-line disclosure of a seat cover shown the drawings is for illustrative purposes only and forms no part of the claimed design.

(56) **References Cited**

U.S. PATENT DOCUMENTS

D314,484 S *	2/1991	Richter et al.	D6/522
D459,624 S *	7/2002	Hsu	D6/518
D461,982 S *	8/2002	Ong	D6/518
D472,413 S *	4/2003	Haas	D6/522
D567,556 S *	4/2008	Orgna et al.	D6/522
D572,514 S *	7/2008	Bickler et al.	D6/518

1 Claim, 3 Drawing Sheets



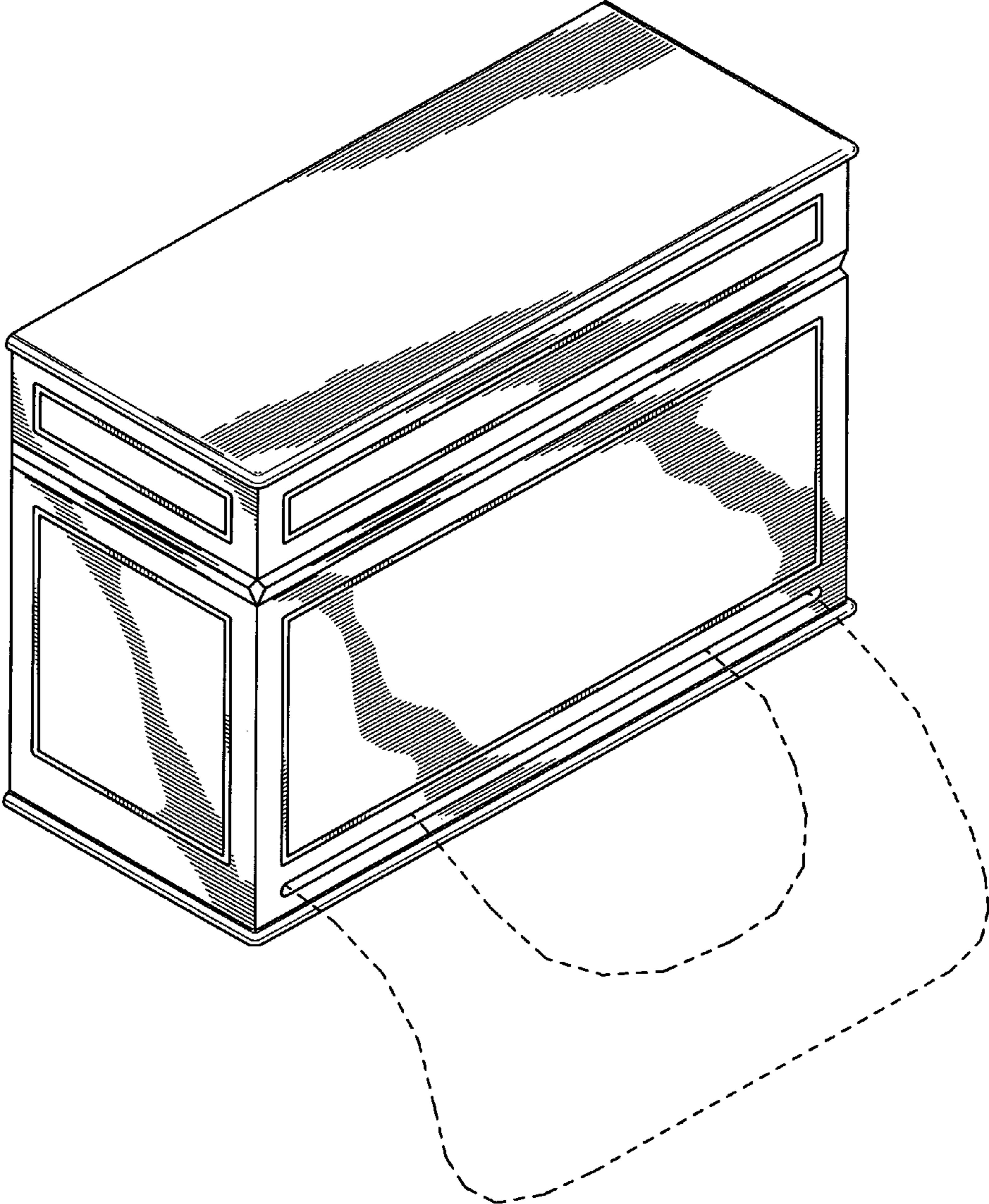


Fig. 1

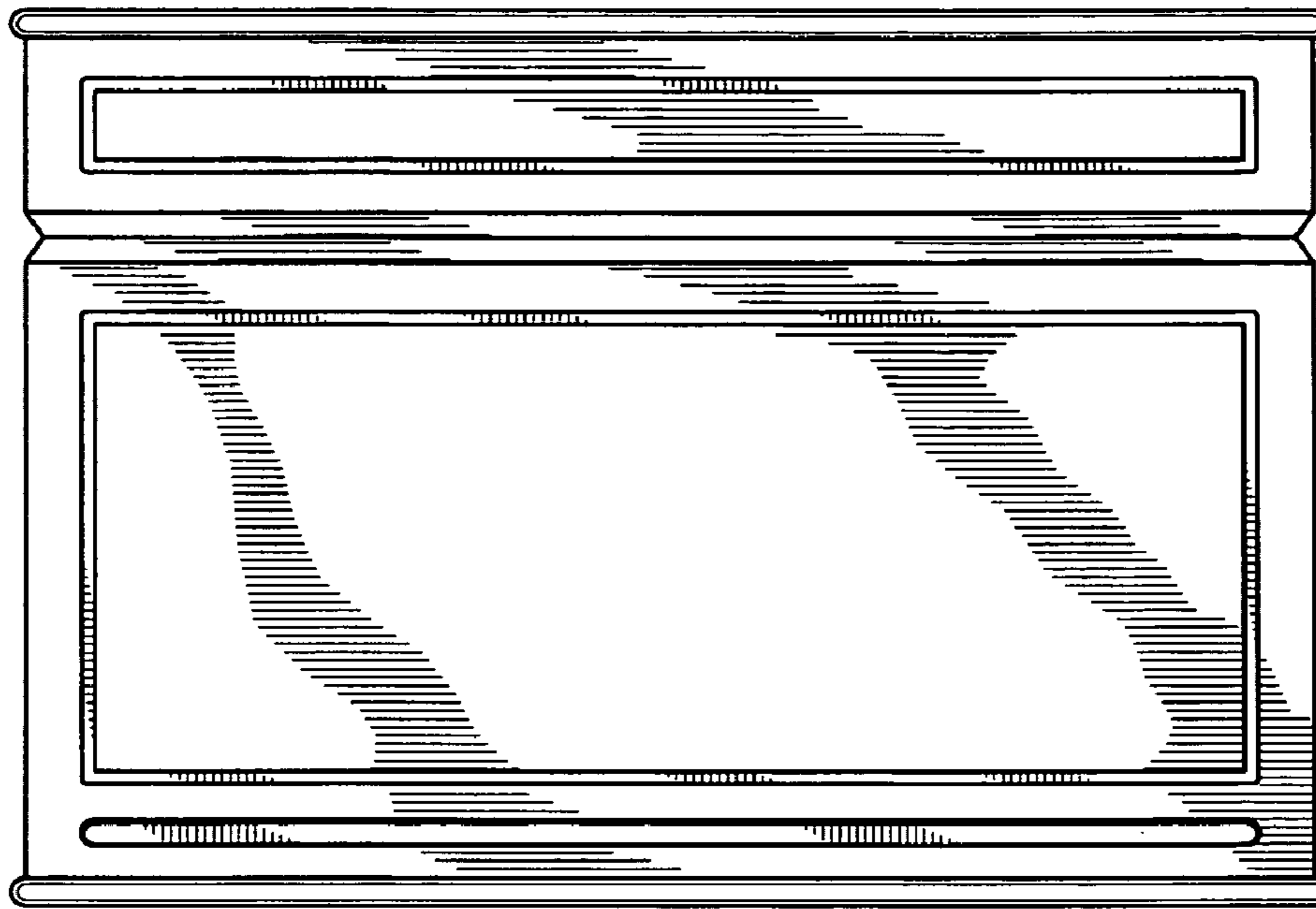


Fig. 2

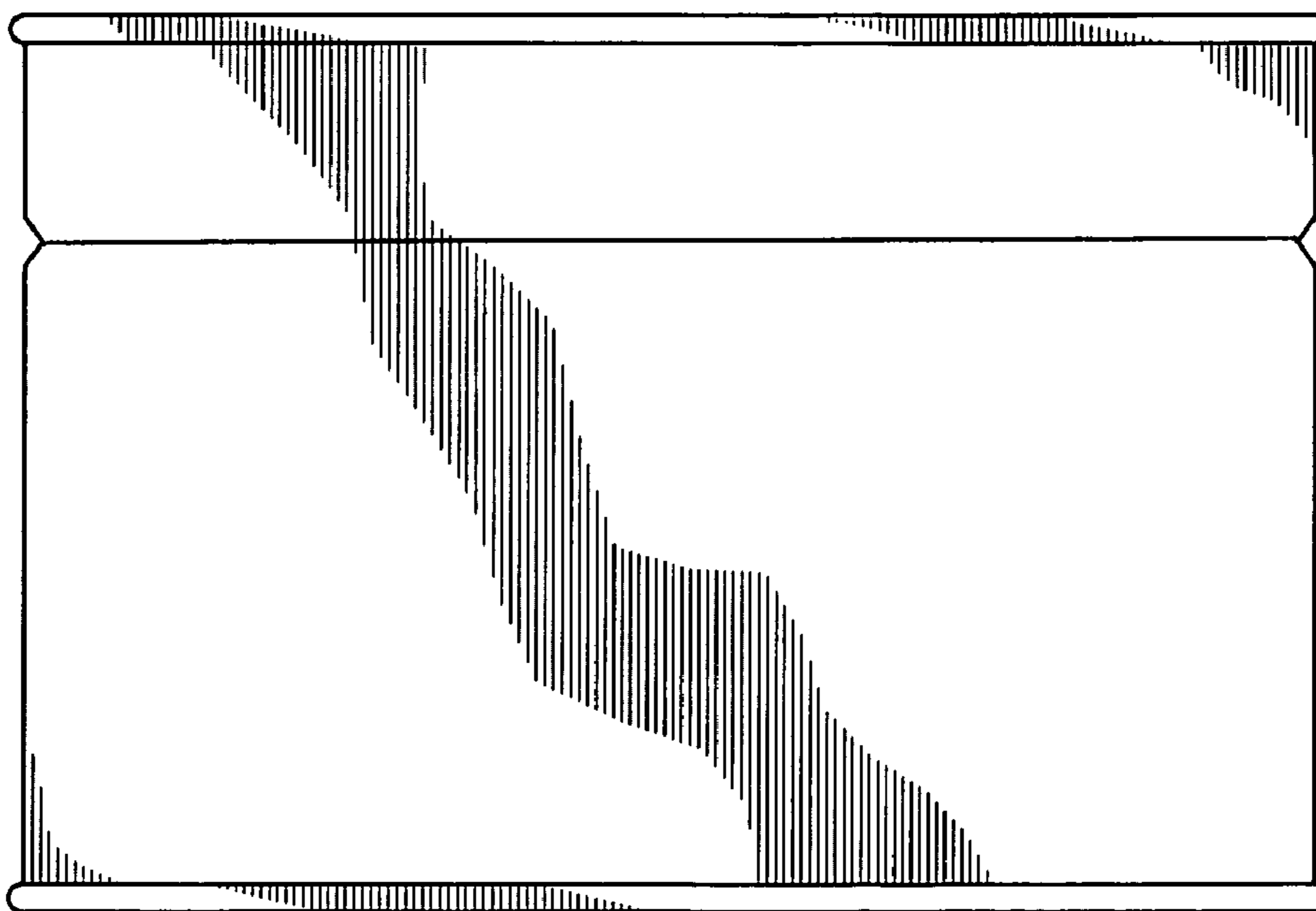


Fig. 3

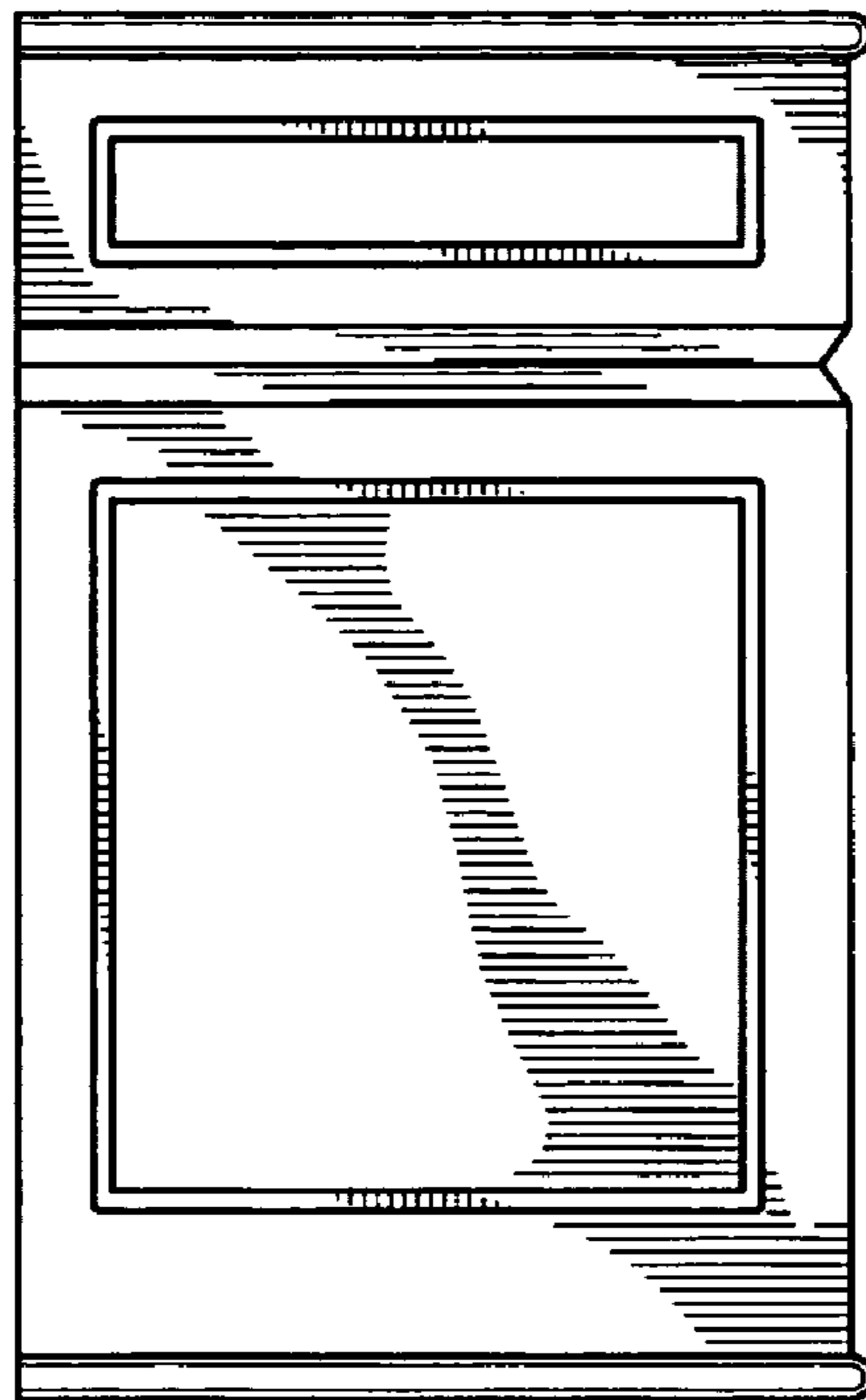


Fig. 4

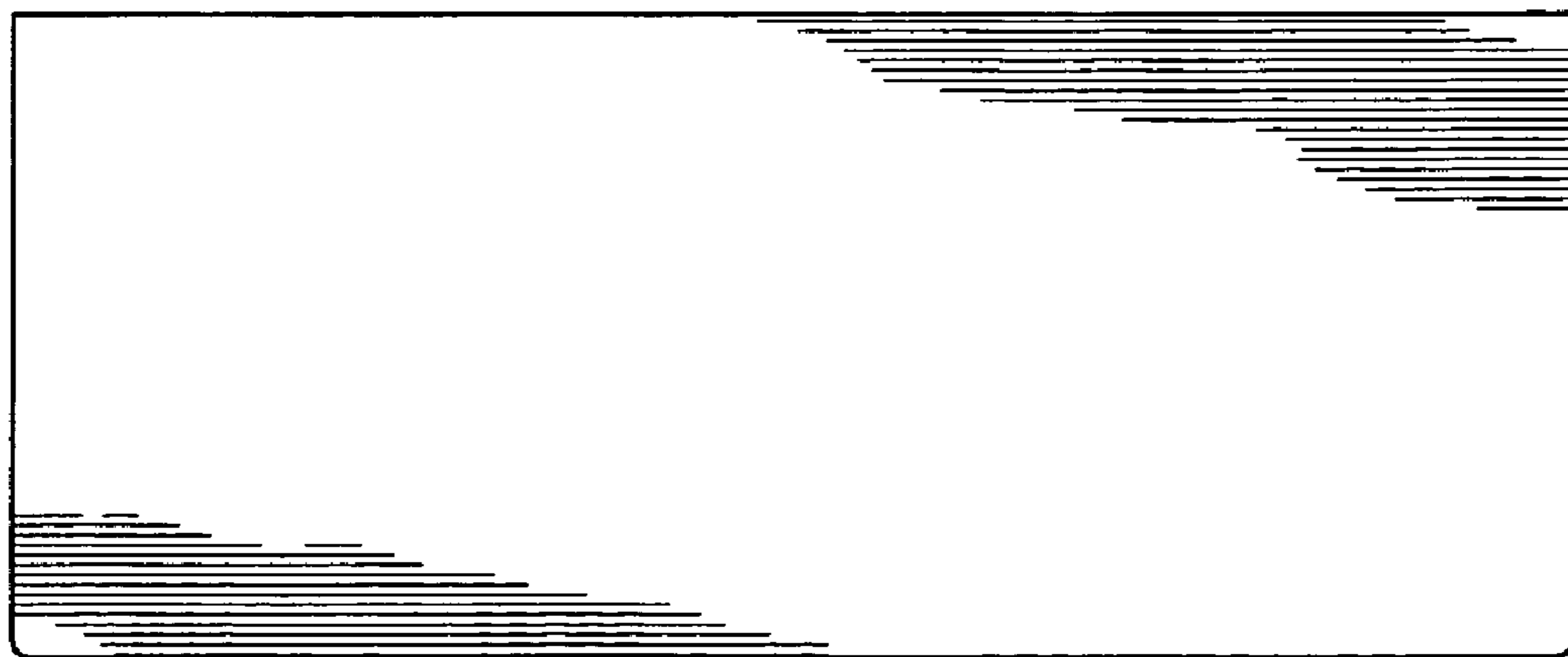


Fig. 5