



US00D626361S

(12) **United States Design Patent**  
**Ogawa**

(10) **Patent No.:** **US D626,361 S**  
(45) **Date of Patent:** **\*\* Nov. 2, 2010**

(54) **PORTION OF A KITCHEN COUNTER**

(75) Inventor: **Hirohisa Ogawa, Zushi (JP)**

(73) Assignee: **Goshigaisha Ogawa Kokusan Shoten, Kanagawa-Ken (JP)**

(\*\*) Term: **14 Years**

(21) Appl. No.: **29/359,824**

(22) Filed: **Apr. 15, 2010**

**Related U.S. Application Data**

(62) Division of application No. 29/335,409, filed on Apr. 15, 2009.

(30) **Foreign Application Priority Data**

Oct. 16, 2008 (JP) ..... 2008-026584  
Oct. 16, 2008 (JP) ..... 2008-026585

(51) **LOC (9) Cl.** ..... **06-06**

(52) **U.S. Cl.** ..... **D6/511**

(58) **Field of Classification Search** ..... D6/511,  
D6/495, 492, 429-431, 406.3, 480-489;  
108/150, 152, 153.1, 157.1, 161, 43; D7/698;  
D21/397, 484; 248/188, 188.1, 188.8  
See application file for complete search history.

(56) **References Cited**

**U.S. PATENT DOCUMENTS**

D207,713 S \* 5/1967 Sullivan ..... D6/511  
D401,791 S \* 12/1998 Schwab ..... D6/486

D414,634 S \* 10/1999 Smith et al. .... D6/511  
D463,683 S \* 10/2002 Goodworth ..... D6/486  
D479,417 S \* 9/2003 Couture et al. .... D6/511  
D590,644 S \* 4/2009 Derocher et al. .... D6/511  
D610,380 S \* 2/2010 Momeny ..... D6/511

\* cited by examiner

*Primary Examiner*—Philip S Hyder

*Assistant Examiner*—Sydney R Buffalow

(74) *Attorney, Agent, or Firm*—Fitch, Even, Tabin & Flannery

(57) **CLAIM**

I claim the ornamental design for a portion of a kitchen counter, as shown and described.

**DESCRIPTION**

FIG. 1 is a perspective view of a portion of a kitchen counter, according to my new design;

FIG. 2 is a front elevational view thereof;

FIG. 3 is a rear elevational view thereof;

FIG. 4 is a top plan view thereof;

FIG. 5 is a bottom plan view thereof;

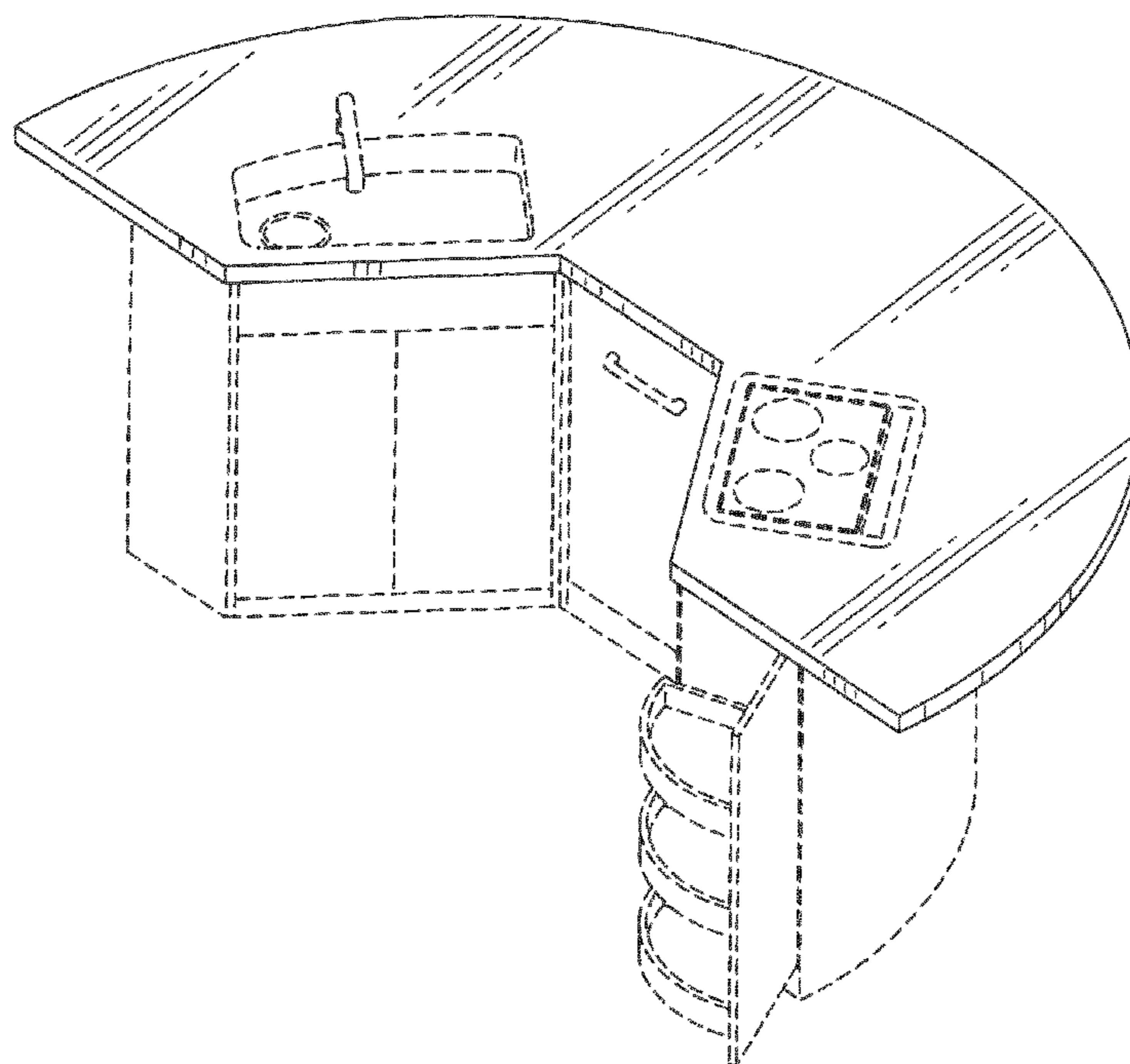
FIG. 6 is a right side elevational view thereof;

FIG. 7 is a left side elevational view thereof; and,

FIG. 8 is a top plan view thereof with the storage door in an opened state.

The broken lines are for illustrative purposes only and form no part of the claimed design.

**1 Claim, 6 Drawing Sheets**



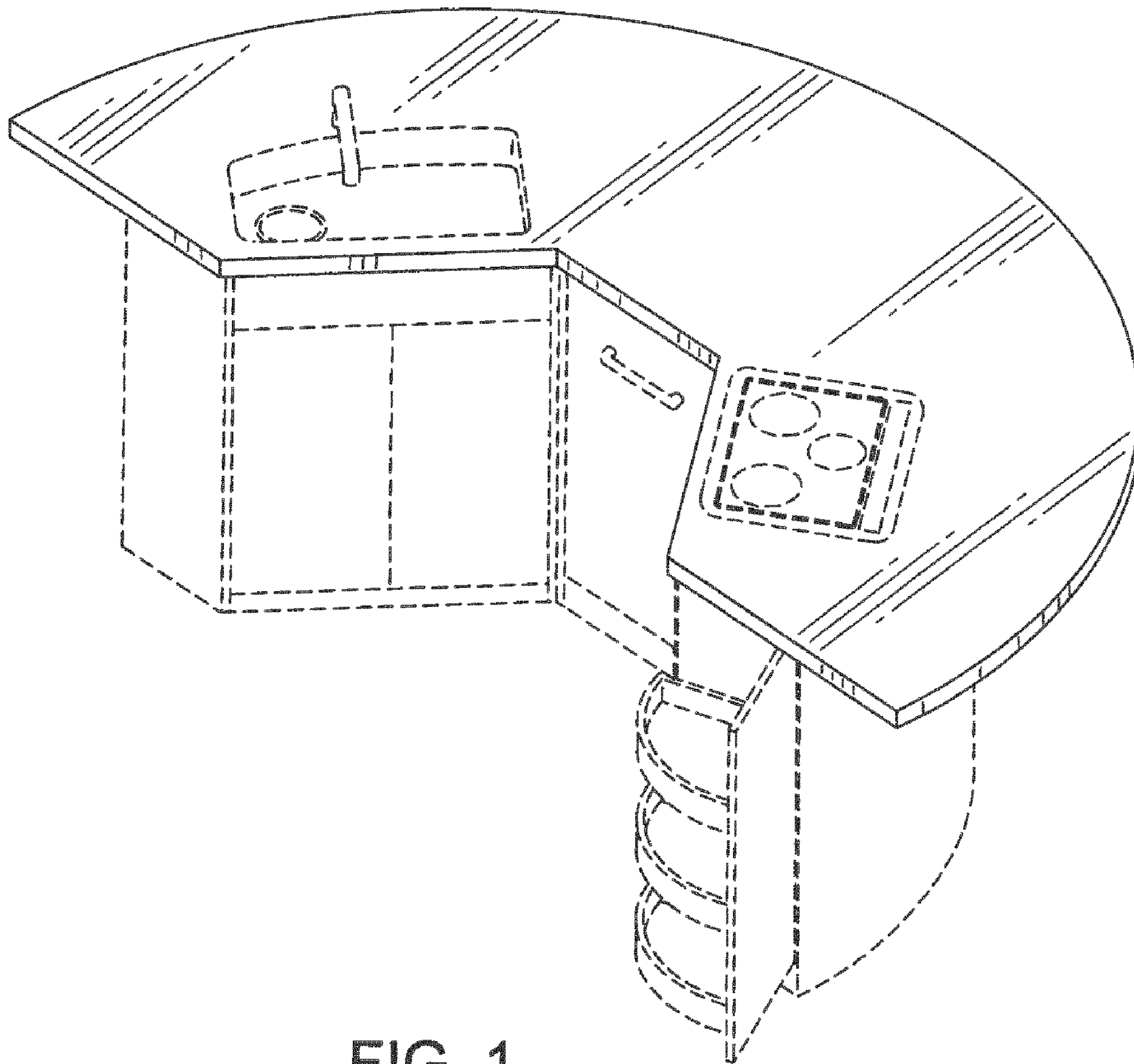


FIG. 1

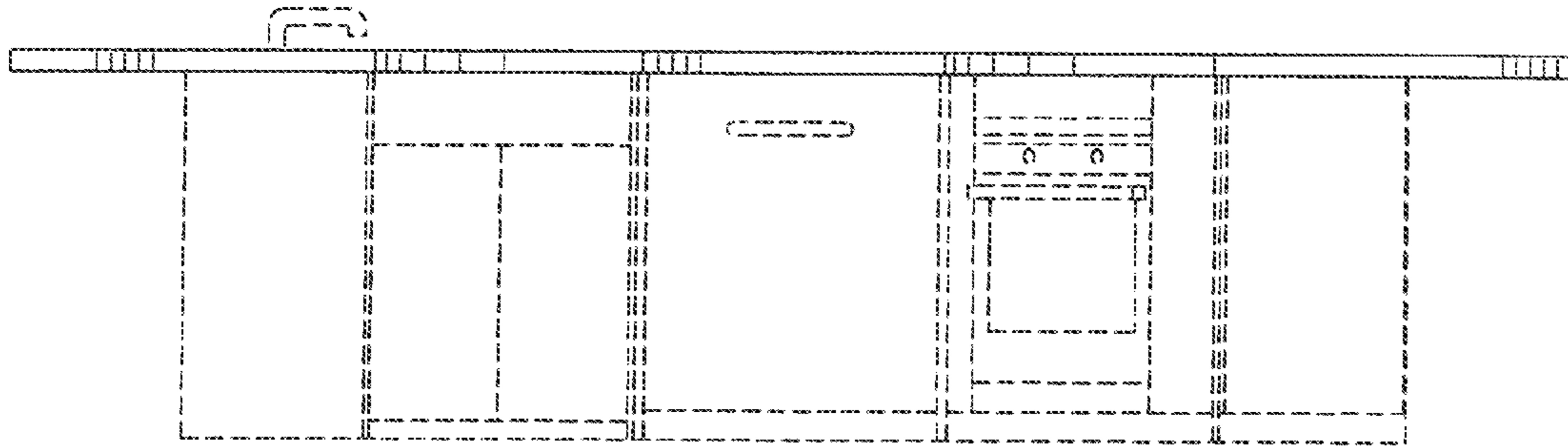


FIG. 2

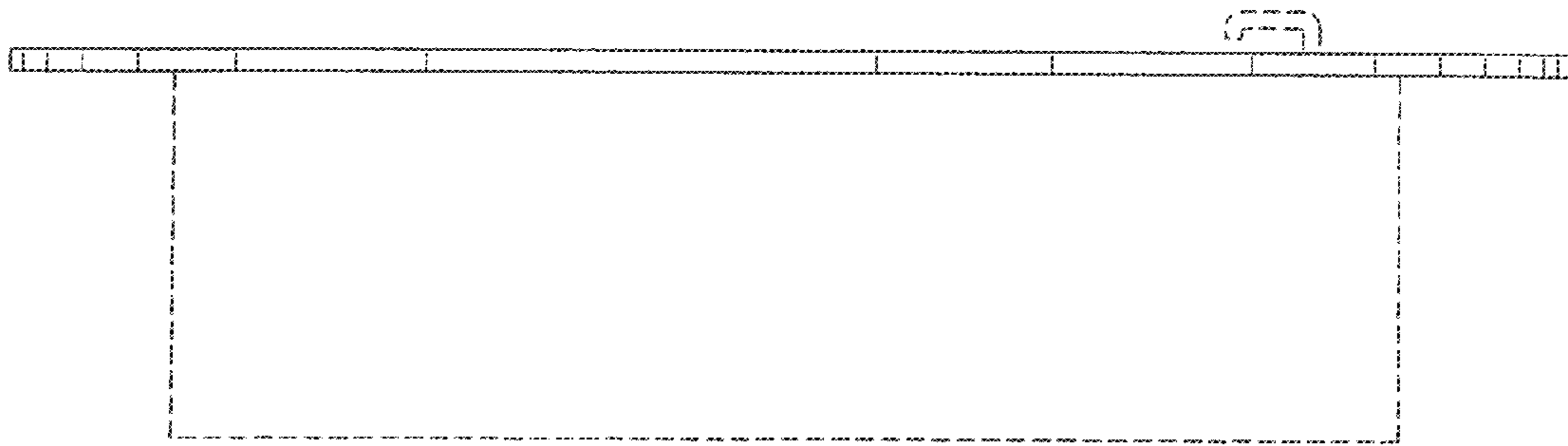


FIG. 3

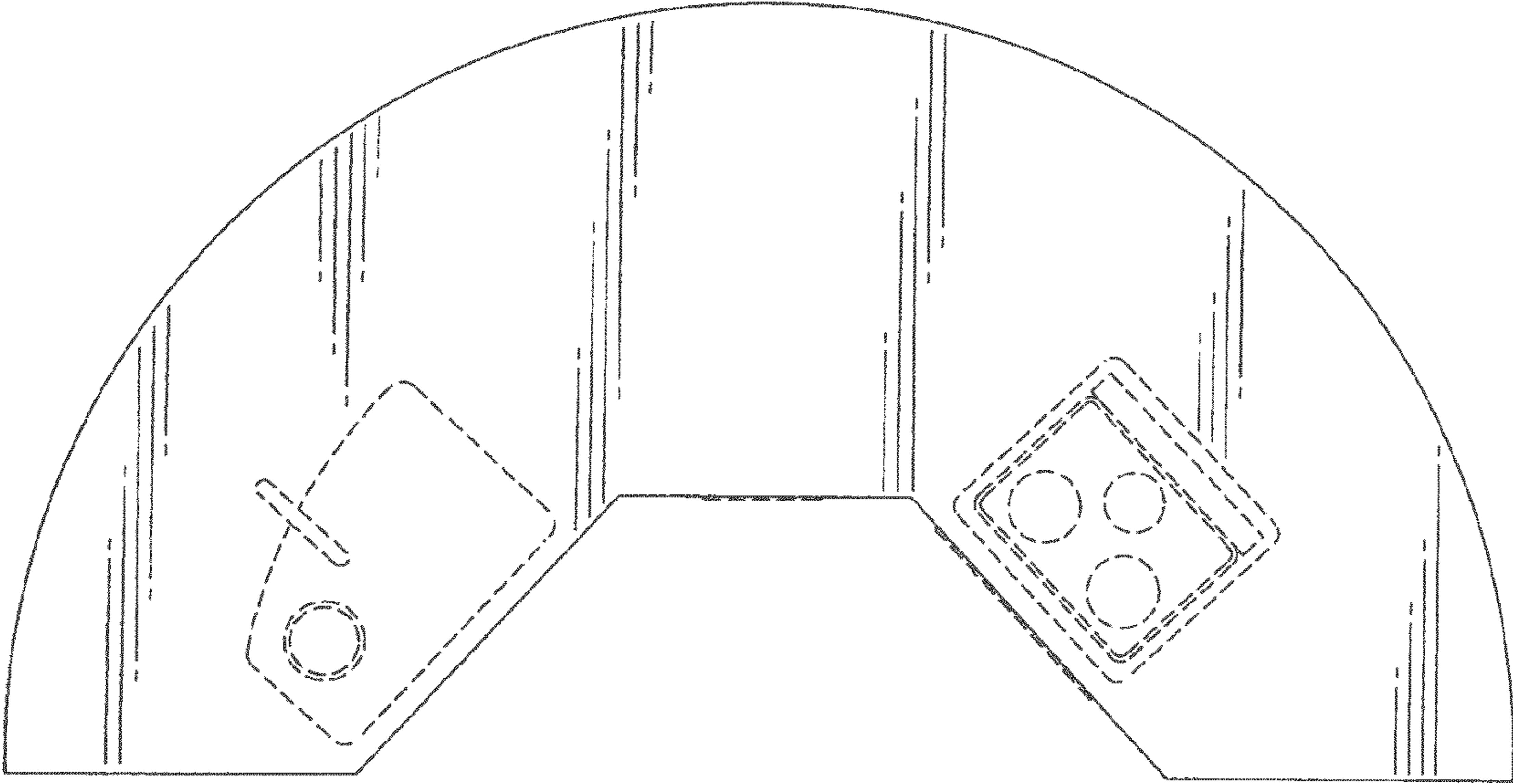


FIG. 4

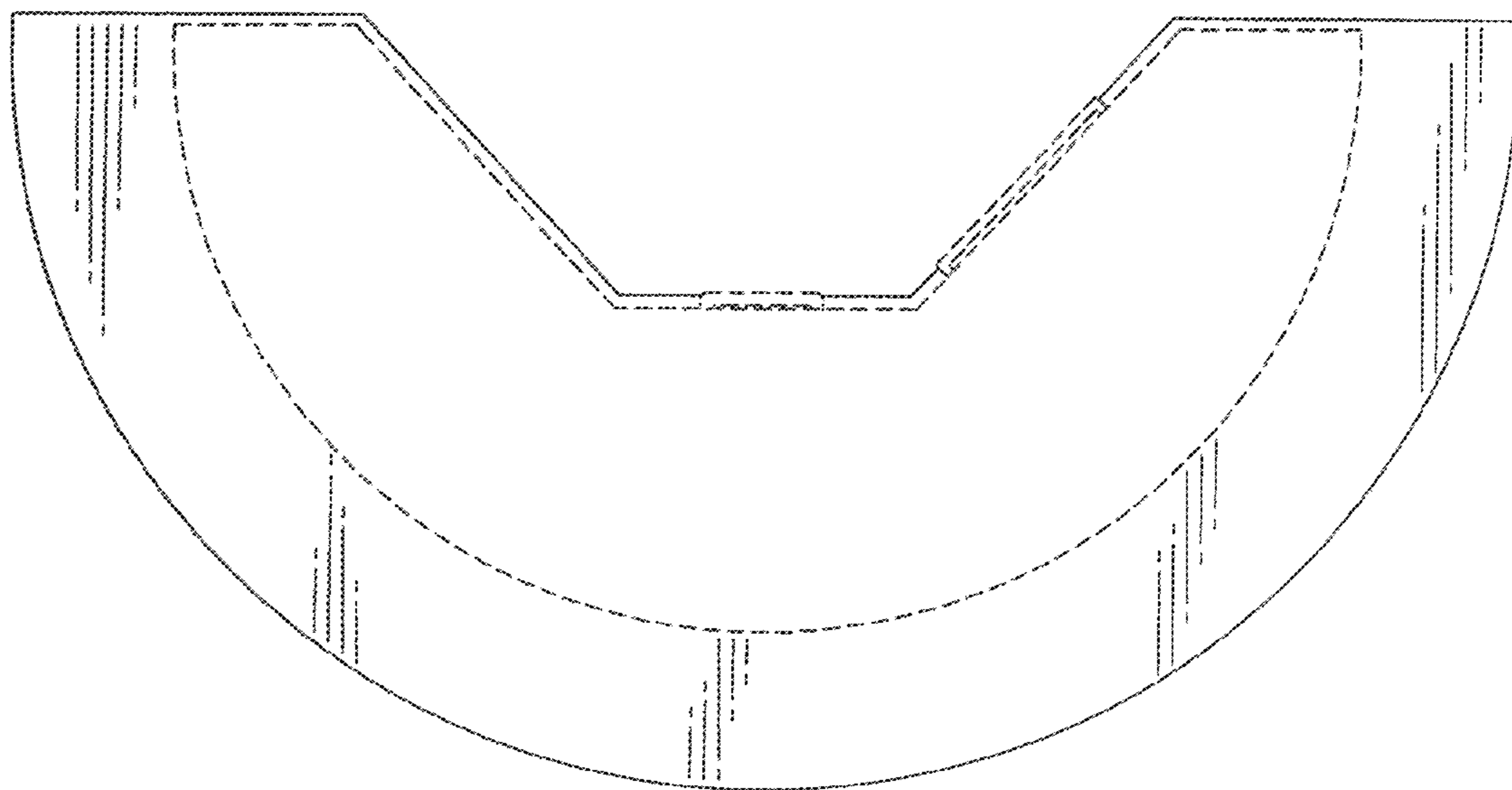


FIG. 5

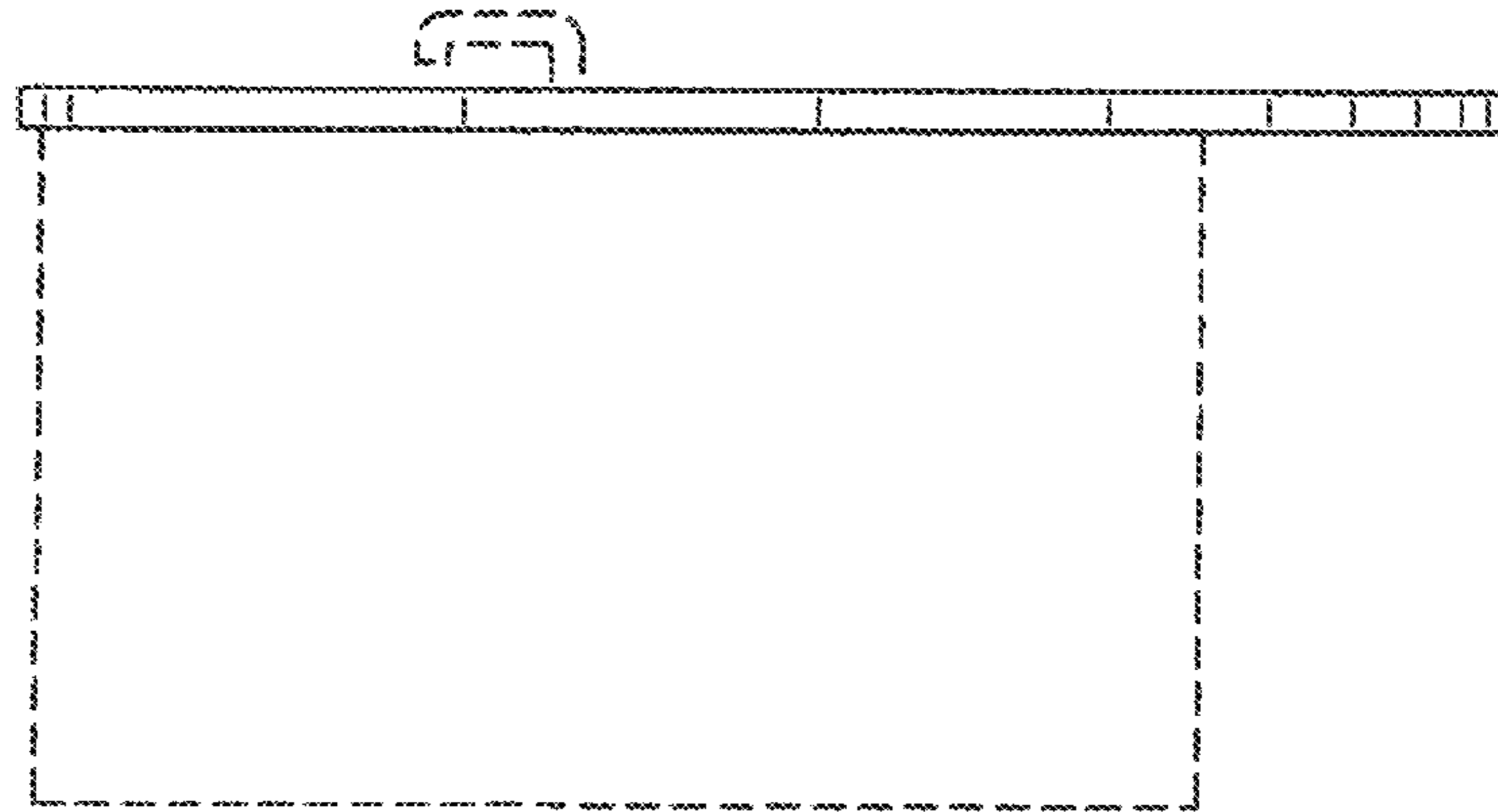


FIG. 6

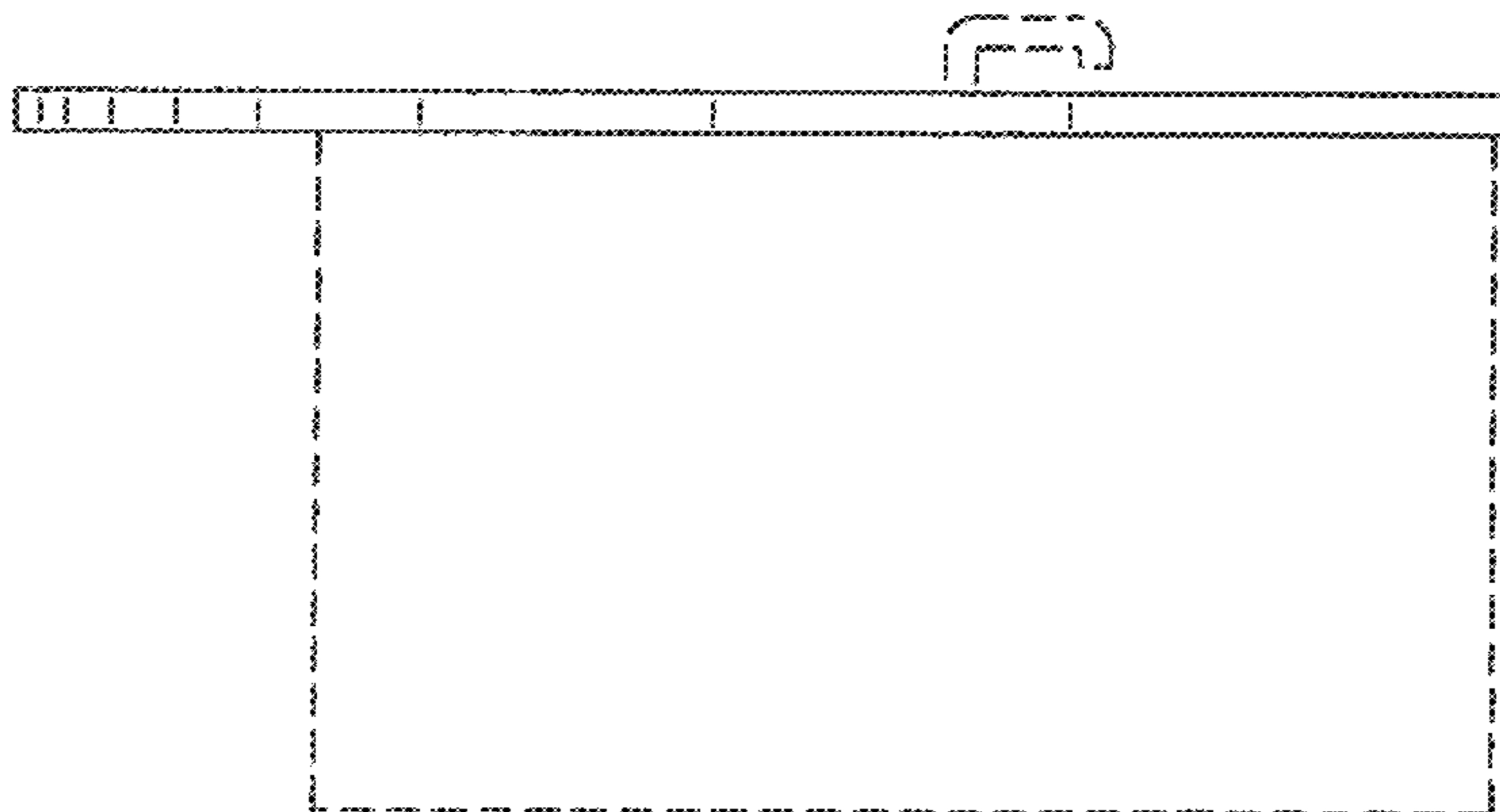


FIG. 7

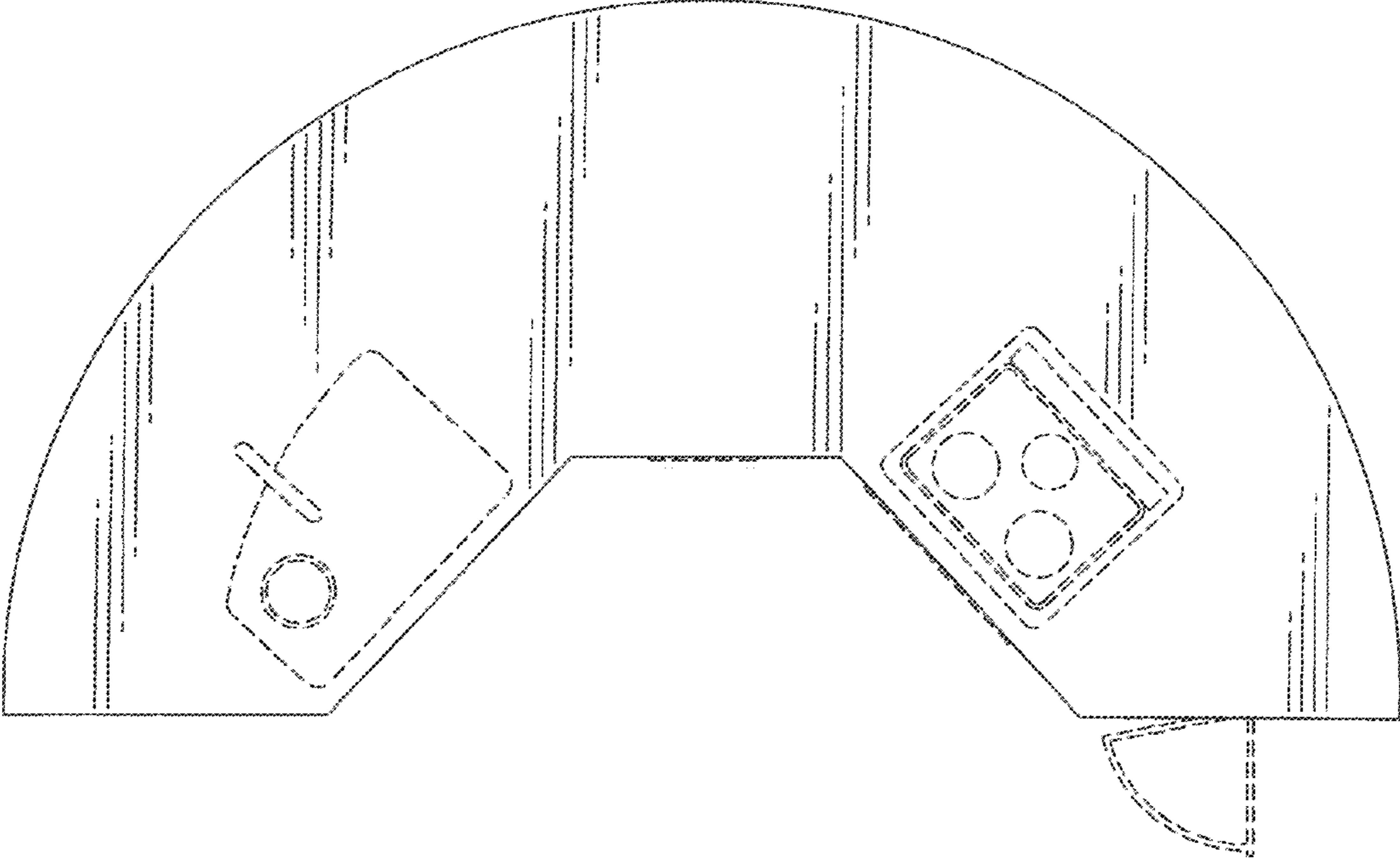


FIG. 8