



US00D626356S

(12) **United States Design Patent**
Ho

(10) **Patent No.:** **US D626,356 S**

(45) **Date of Patent:** **** Nov. 2, 2010**

(54) **MODULAR UTILITY RACK**

(75) Inventor: **Edwin Ho**, Irvine, CA (US)

(73) Assignee: **Seville Classics Inc.**, Torrance, CA (US)

(**) Term: **14 Years**

(21) Appl. No.: **29/315,014**

(22) Filed: **May 18, 2009**

Related U.S. Application Data

(62) Division of application No. 29/312,973, filed on Nov. 26, 2008, now Pat. No. Des. 602,712.

(51) **LOC (9) Cl.** **06-04**

(52) **U.S. Cl.** **D6/465**

(58) **Field of Classification Search** D6/465,
D6/409-415, 449, 455-458, 461-464, 466-468,
D6/474, 476, 499, 405; 211/31.1, 85.26,
211/85.31, 85.4, 33, 134, 186-88, 189-191,
211/194, 181.1, 153; D34/12; 108/107
See application file for complete search history.

(56) **References Cited**

U.S. PATENT DOCUMENTS

2,913,128	A *	11/1959	Milner	108/181
D215,773	S *	10/1969	Maslow	D6/462
4,637,323	A *	1/1987	Nicely	108/107
D292,658	S *	11/1987	Kester	D6/465
4,895,382	A	1/1990	Andersson	
D308,776	S *	6/1990	Yau Kee	D6/464
4,978,013	A	12/1990	Hogg	
D314,101	S *	1/1991	Yau Kee	D6/465
D314,103	S *	1/1991	Yau Kee	D6/465
D314,679	S *	2/1991	Kee	D6/465
D323,256	S *	1/1992	Kee	D6/465
D328,400	S *	8/1992	Kee	D6/465
5,676,263	A *	10/1997	Chang	211/187
D392,817	S	3/1998	Lee	
5,738,230	A	4/1998	Goldstein	
D393,970	S	5/1998	Lee	
5,913,270	A	6/1999	Price	

D424,836	S *	5/2000	Kopala, Jr.	D6/465
D432,820	S *	10/2000	Walters-Dowding et al.	D6/465
6,260,488	B1 *	7/2001	Yang et al.	108/107
6,443,410	B1	9/2002	Lee	
D471,033	S *	3/2003	Yamaguchi	D6/465
6,561,107	B1	5/2003	Wood et al.	
D485,092	S *	1/2004	Rosen	D6/465
D501,738	S *	2/2005	Clucas	D6/465
6,899,237	B2	5/2005	Trent	
D540,568	S *	4/2007	Clucas	D6/465
D597,342	S *	8/2009	Dickson	D6/465
D602,712	S *	10/2009	Ho	D6/465

* cited by examiner

Primary Examiner—Philip S Hyder

Assistant Examiner—Sydney R Buffalow

(74) *Attorney, Agent, or Firm*—Raymond Sun

(57) **CLAIM**

The ornamental design for a modular utility rack, as shown.

DESCRIPTION

FIG. 1 is a perspective view of a modular utility rack showing my new design.

FIG. 2 is a front plan view thereof;

FIG. 3 is a left plan view thereof;

FIG. 4 is a right plan view thereof;

FIG. 5 is a top plan view thereof;

FIG. 6 is a bottom plan view thereof;

FIG. 7 is a back plan view thereof;

FIG. 8 is perspective view of a second embodiment of my modular utility rack;

FIG. 9 is a front plan view thereof;

FIG. 10 is a left plan view thereof;

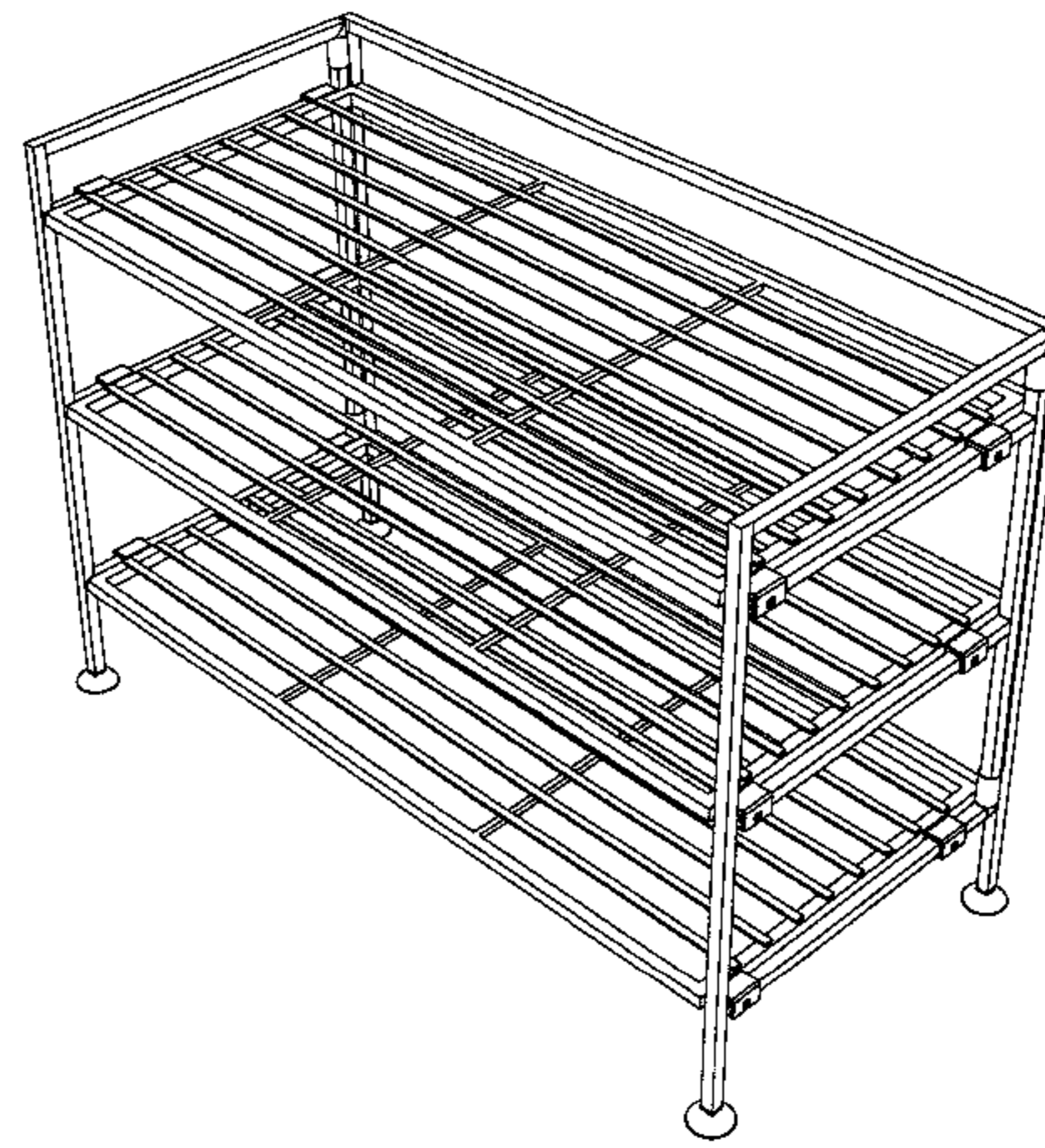
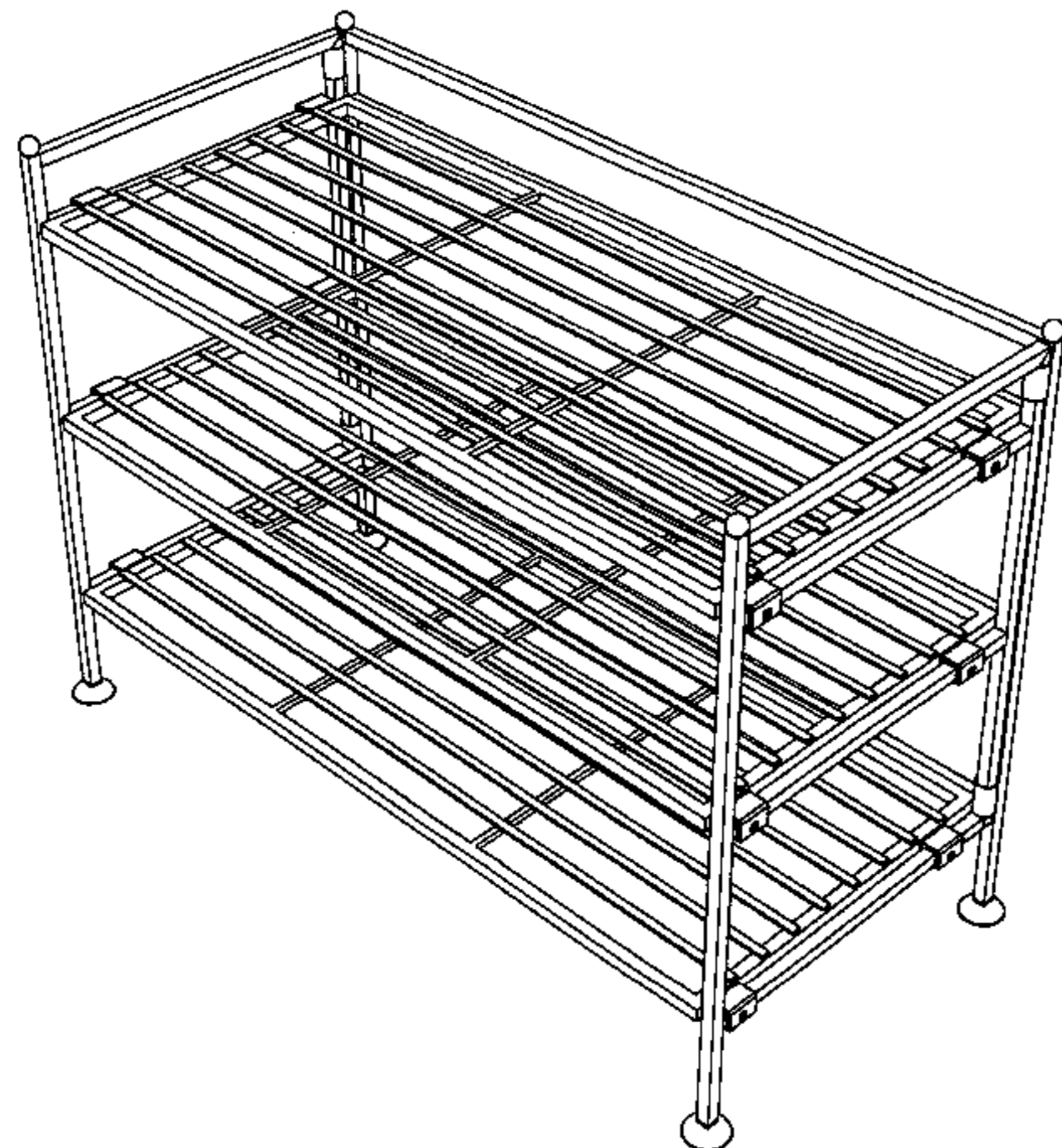
FIG. 11 is a right plan view thereof;

FIG. 12 is a top plan view thereof;

FIG. 13 is a bottom plan view thereof; and,

FIG. 14 is a back plan view.

1 Claim, 14 Drawing Sheets



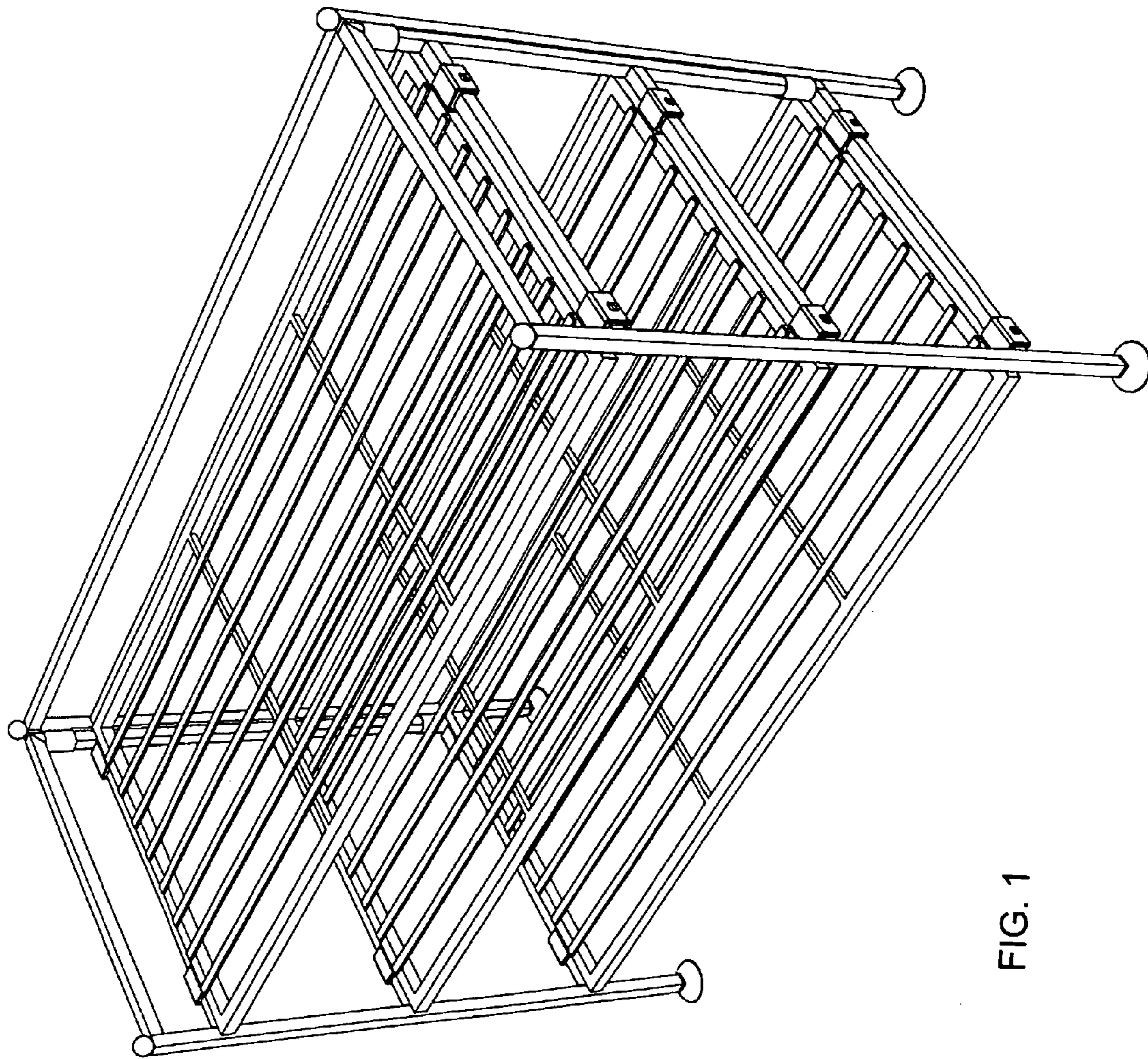


FIG. 1

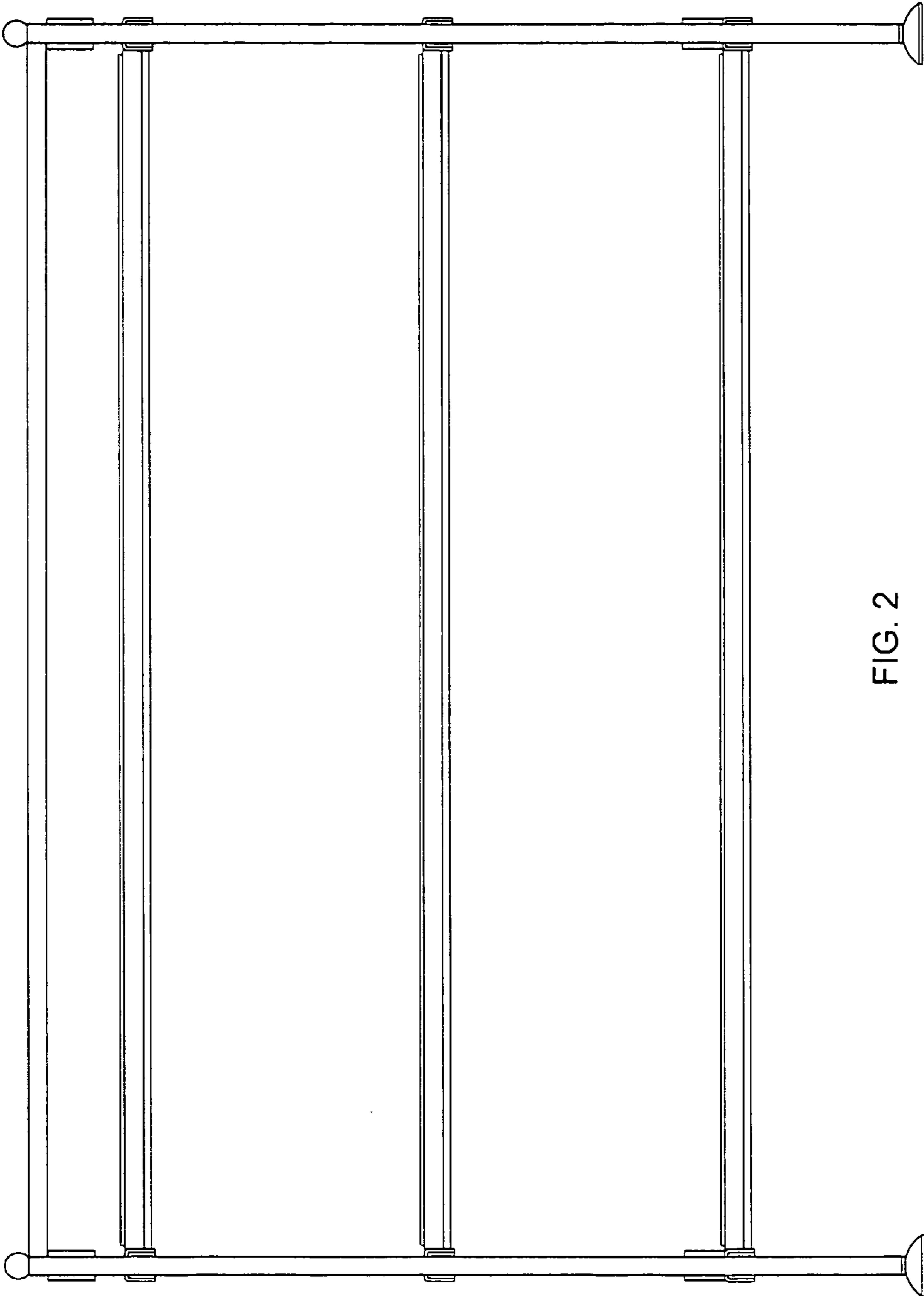


FIG. 2

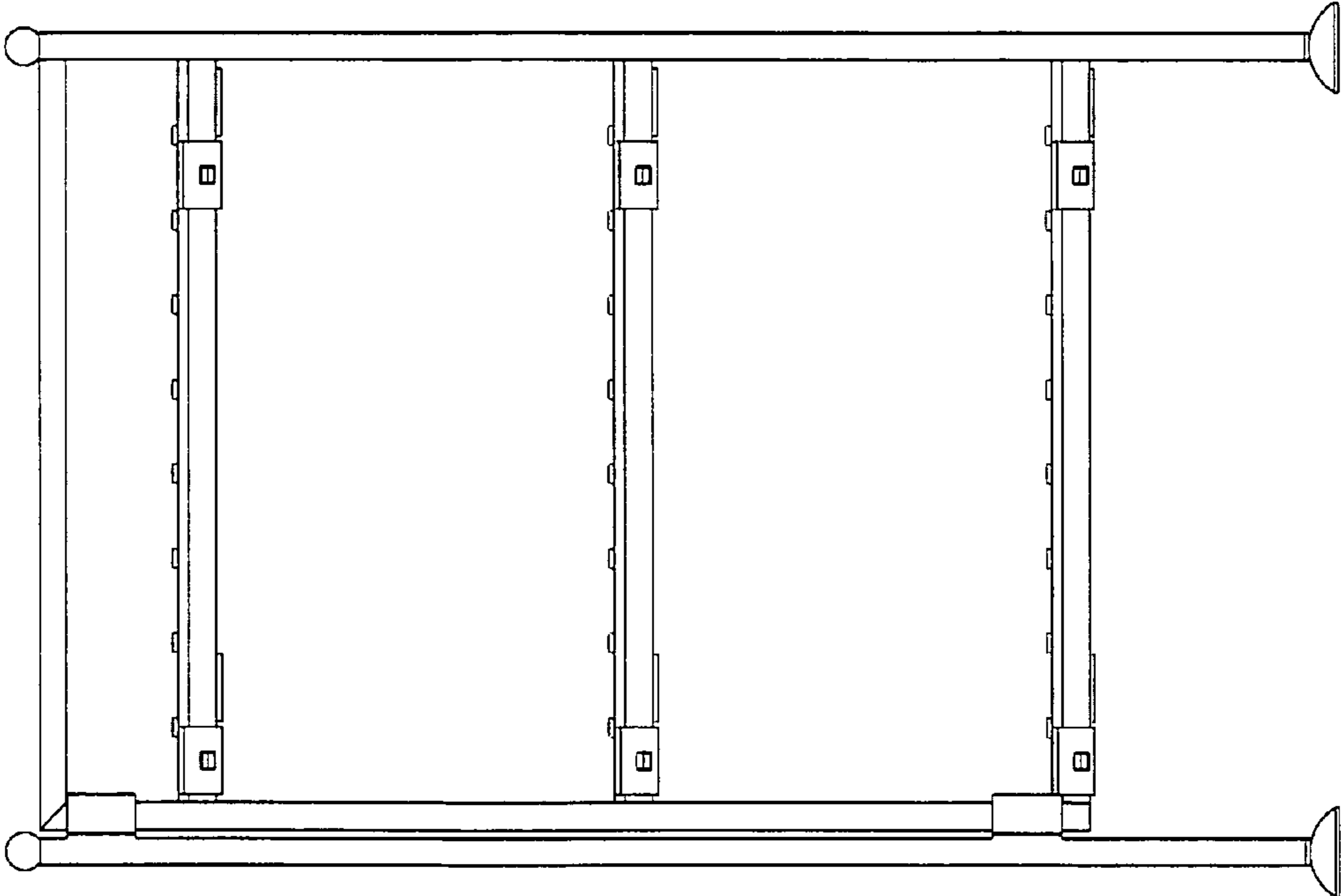


FIG. 3

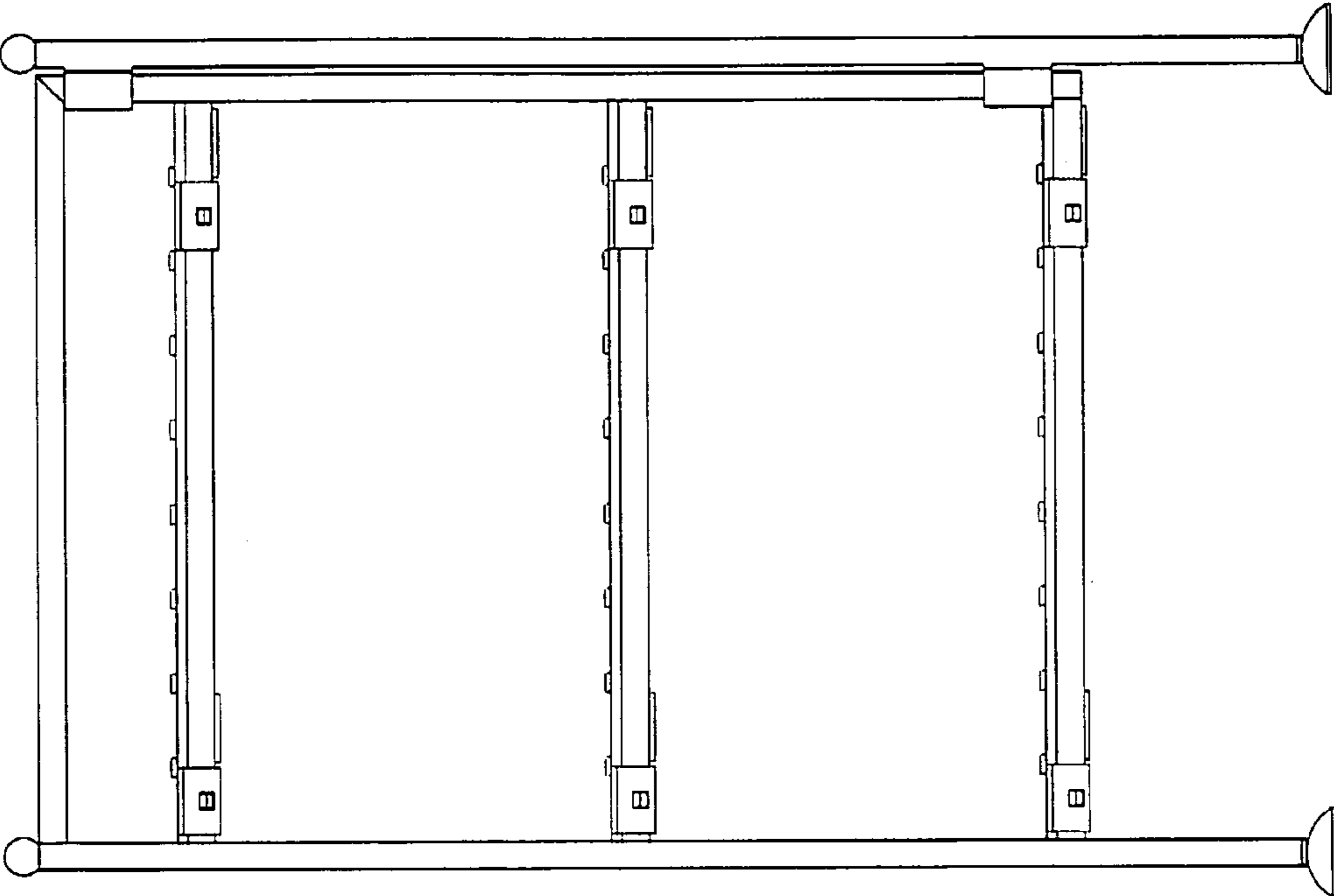


FIG. 4

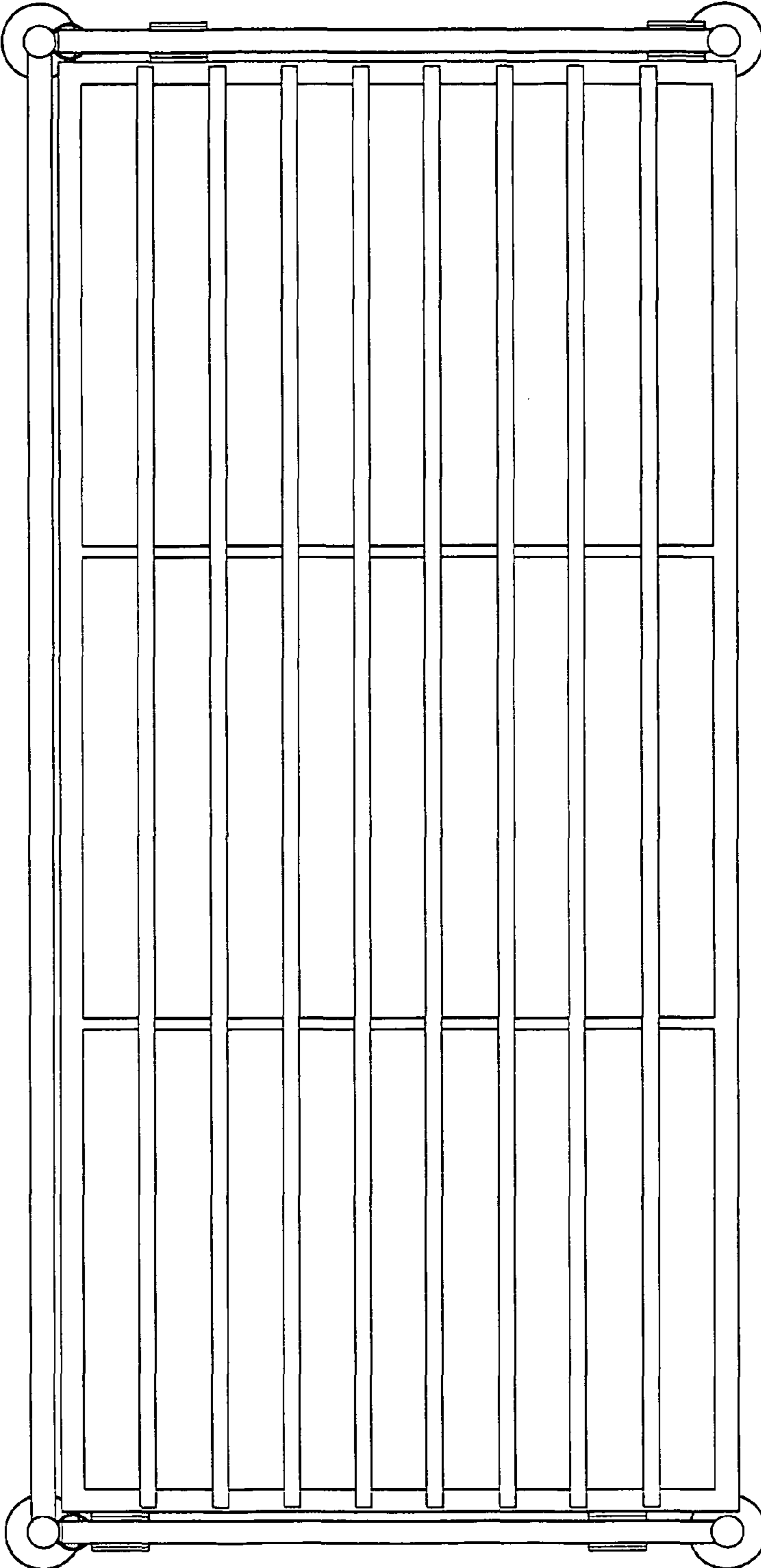


FIG. 5

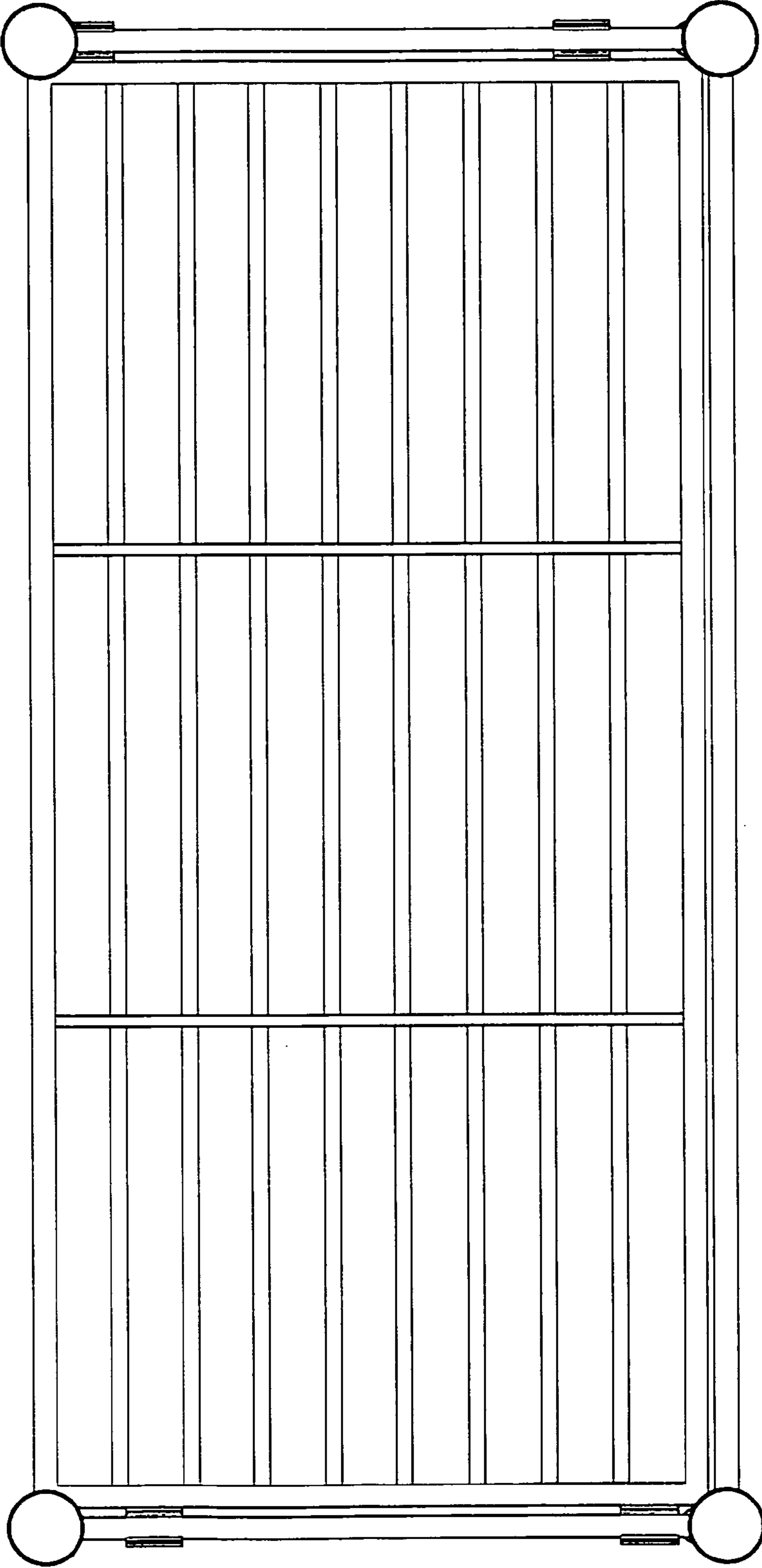


FIG. 6

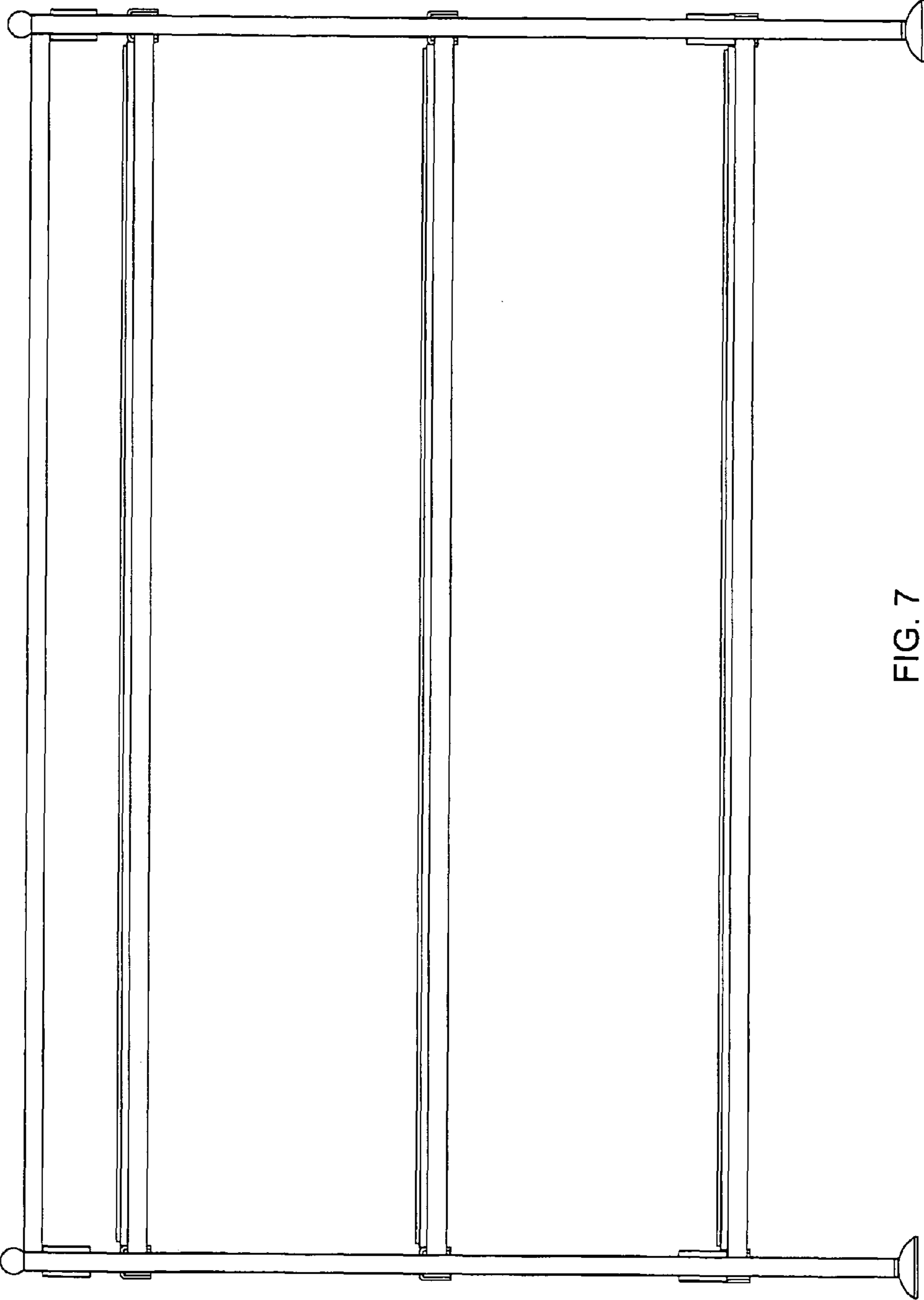


FIG. 7

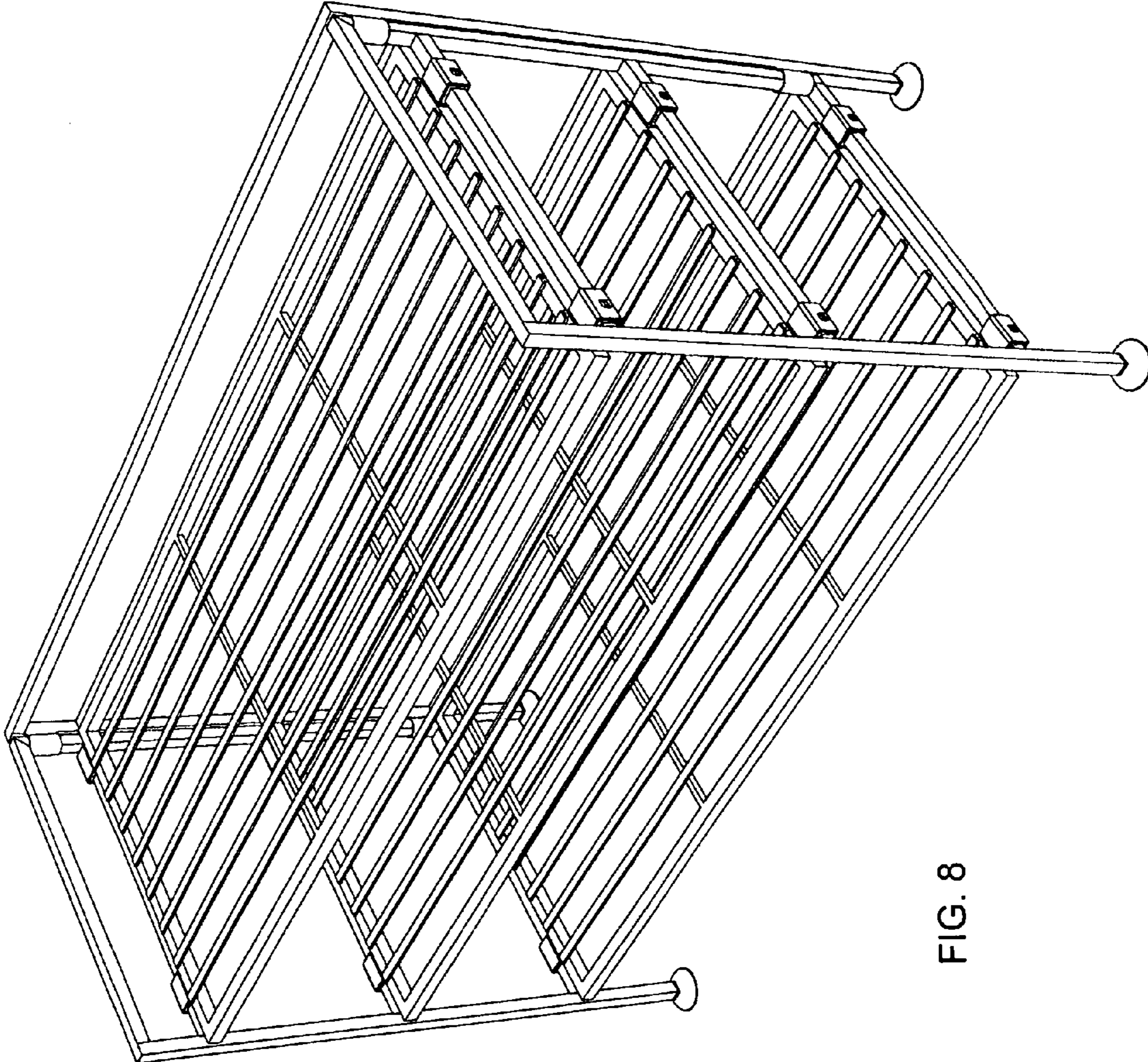


FIG. 8



FIG. 9

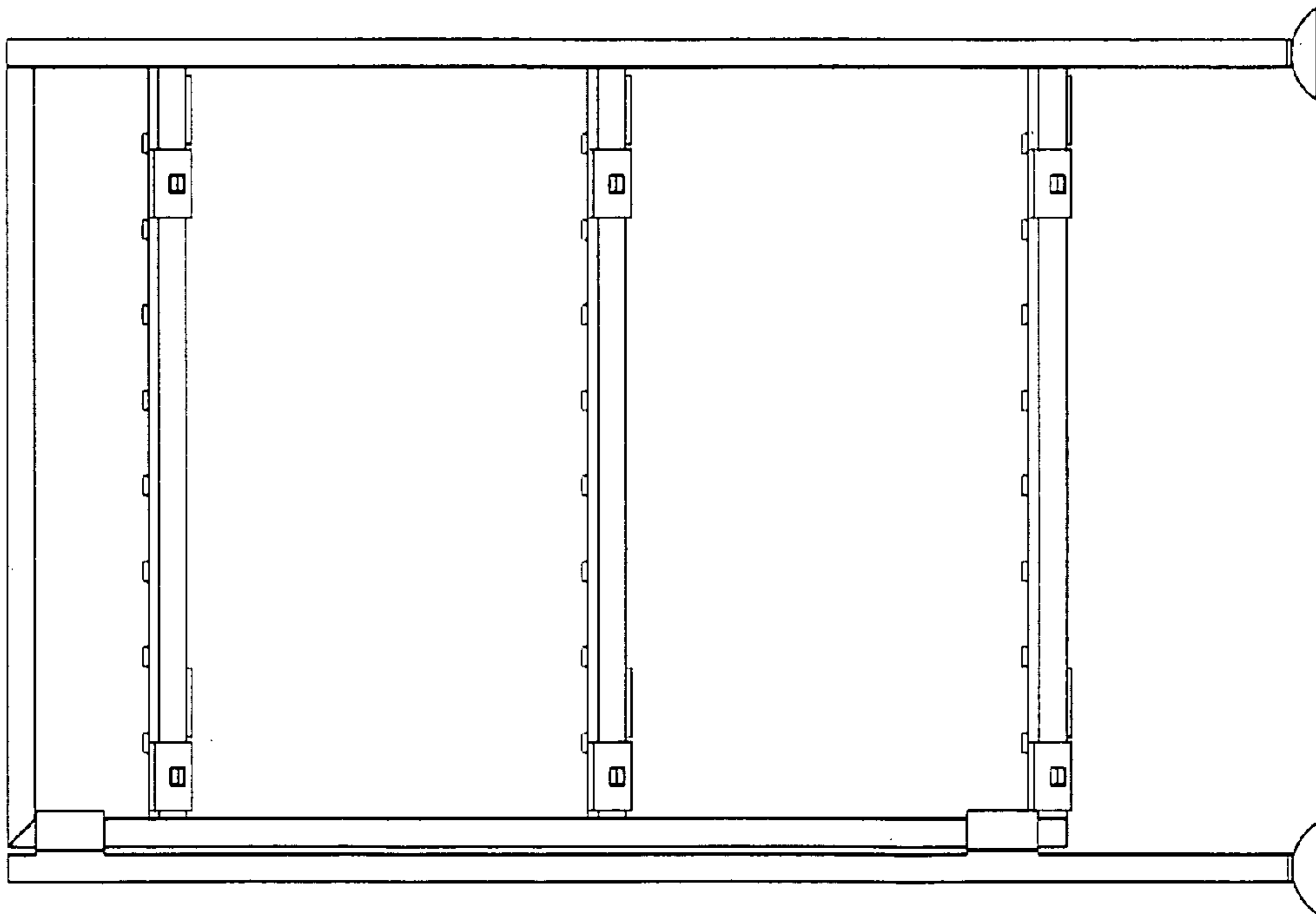


FIG. 10

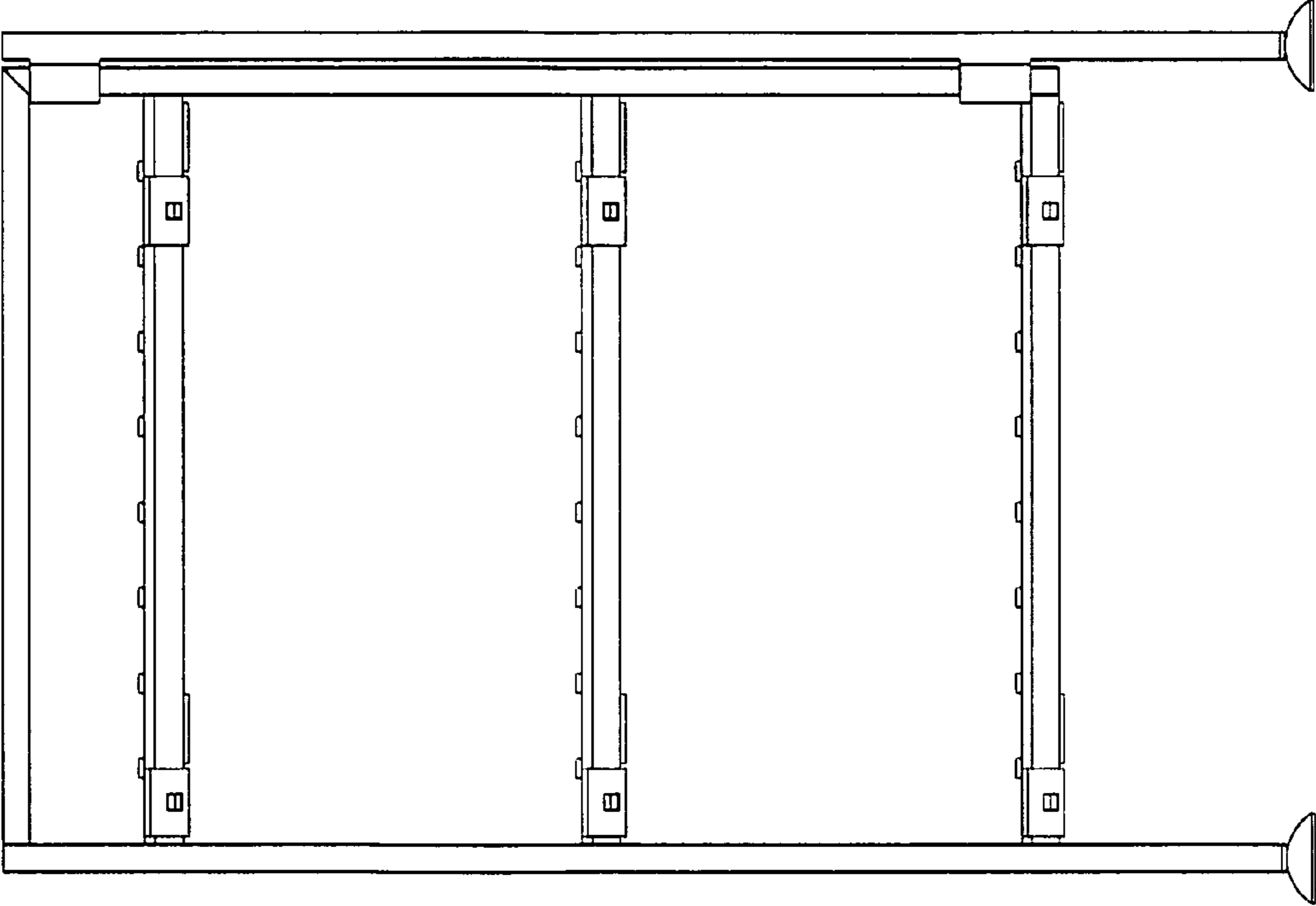


FIG. 11

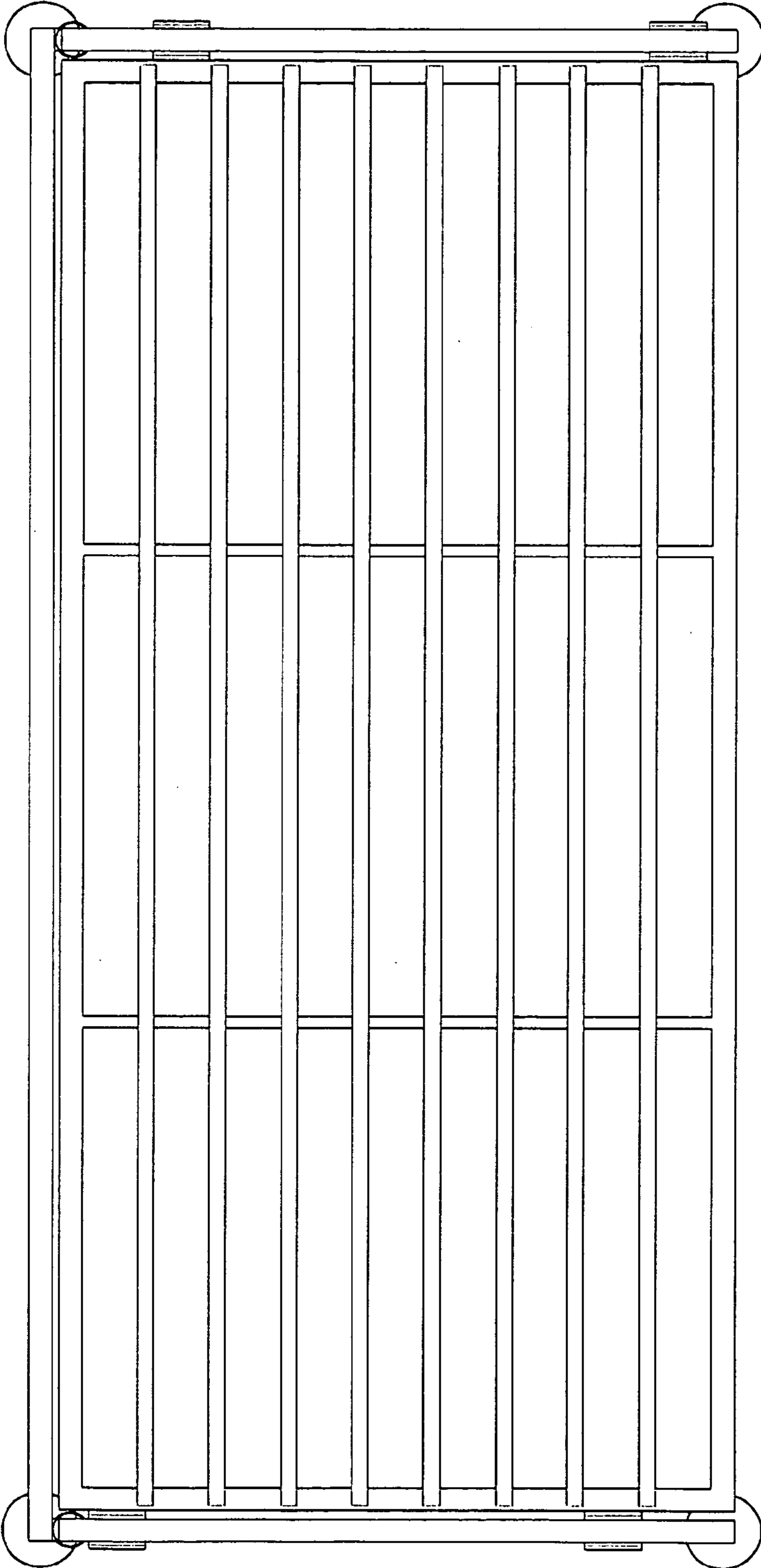


FIG. 12

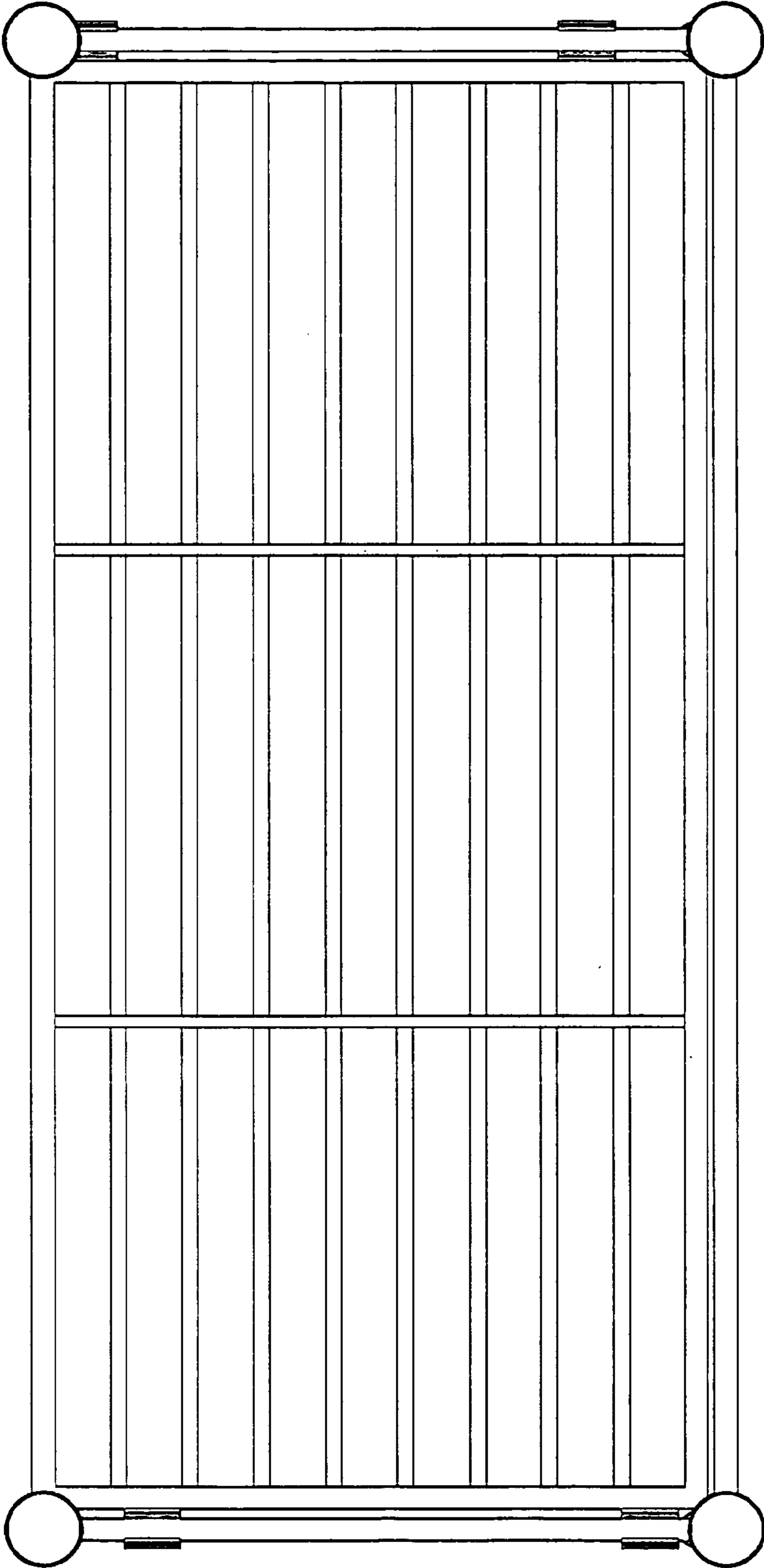


FIG. 13

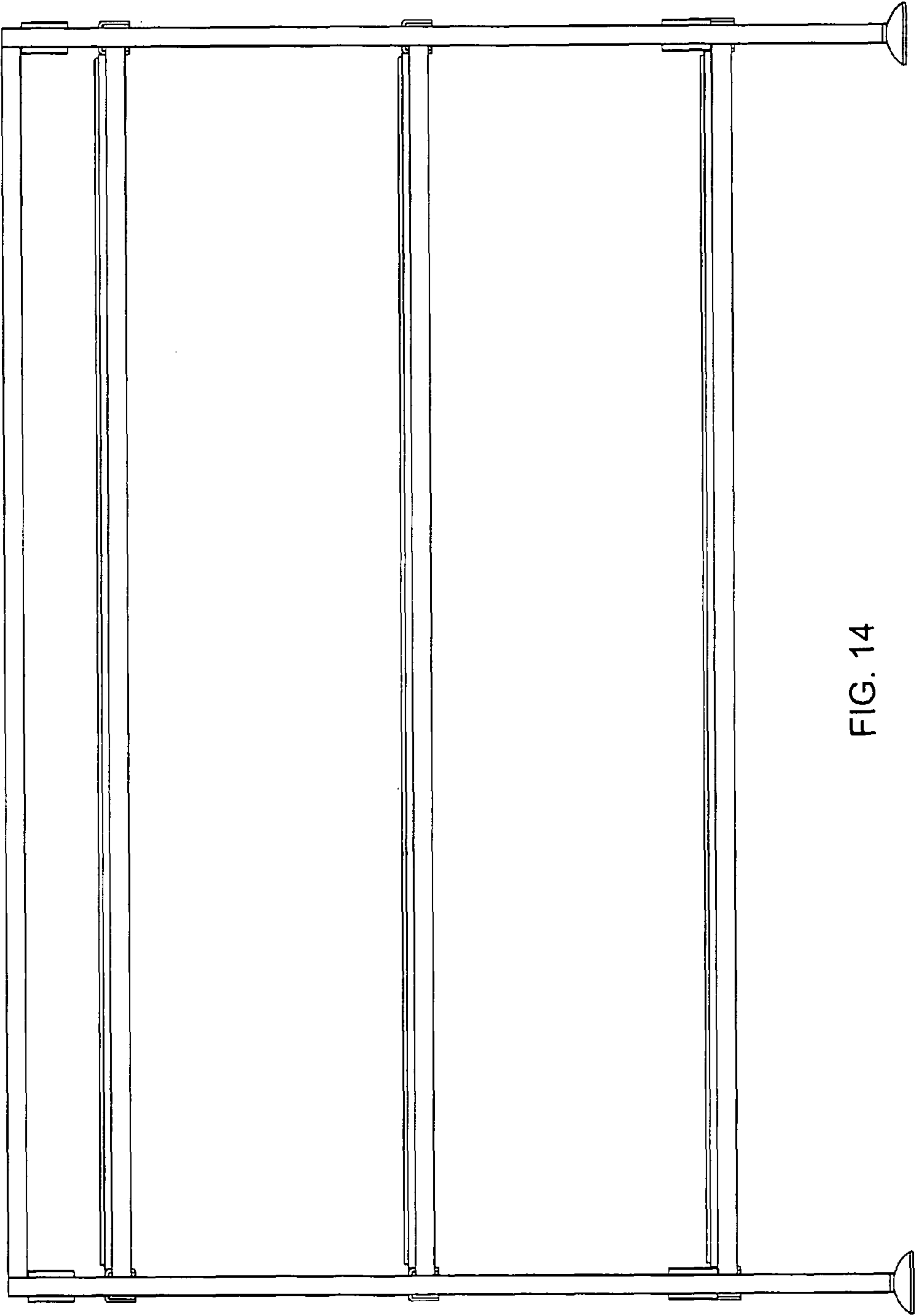


FIG. 14