



US00D626355S

(12) **United States Design Patent**  
**Liang**

(10) **Patent No.:** **US D626,355 S**

(45) **Date of Patent:** **\*\* Nov. 2, 2010**

(54) **FRAME FOR A DISPLAY STAND**

(76) **Inventor:** **Hsin-Lien Liang**, 5F, No. 11, Hsin Fu  
1st, Pin Chen City, Taoyuan Hsien (TW)

(\*\*) **Term:** **14 Years**

(21) **Appl. No.:** **29/347,182**

(22) **Filed:** **Oct. 19, 2009**

(51) **LOC (9) Cl.** ..... **06-04**

(52) **U.S. Cl.** ..... **D6/449; D34/5**

(58) **Field of Classification Search** ..... D6/450,  
D6/449, 396; 108/23; D34/5, 6, 10, 24,  
D34/12-17; 312/284; D25/16; 211/71.01,  
211/85.19, 133, 126; 248/98, 97, 100, 101,  
248/99, 146, 154; 280/79.11, 79.2  
See application file for complete search history.

(56) **References Cited**

**U.S. PATENT DOCUMENTS**

D164,577	S	*	9/1951	Henderson	.....	D6/450
3,162,495	A	*	12/1964	Swift	.....	108/23
D307,208	S	*	4/1990	Hemphill	.....	D34/5
5,551,774	A	*	9/1996	Campbell et al.	.....	312/284
D379,664	S	*	6/1997	Horton	.....	D25/16
D477,900	S	*	7/2003	Ditmars, Jr.	.....	D34/24

D534,368	S	*	1/2007	Karpinski	.....	D6/396
D540,997	S	*	4/2007	Richards	.....	D34/10
D548,915	S	*	8/2007	Yang et al.	.....	D34/6
D600,046	S	*	9/2009	Kelsen	.....	D6/449

\* cited by examiner

*Primary Examiner*—Philip S Hyder

*Assistant Examiner*—Sydney R Buffalow

(74) *Attorney, Agent, or Firm*—Rosenberg, Klein & Lee

(57) **CLAIM**

The ornamental design for a frame for a display stand, as show and described.

**DESCRIPTION**

FIG. 1 is a right perspective view of a frame for a display stand showing my new design;

FIG. 2 is a front view thereof;

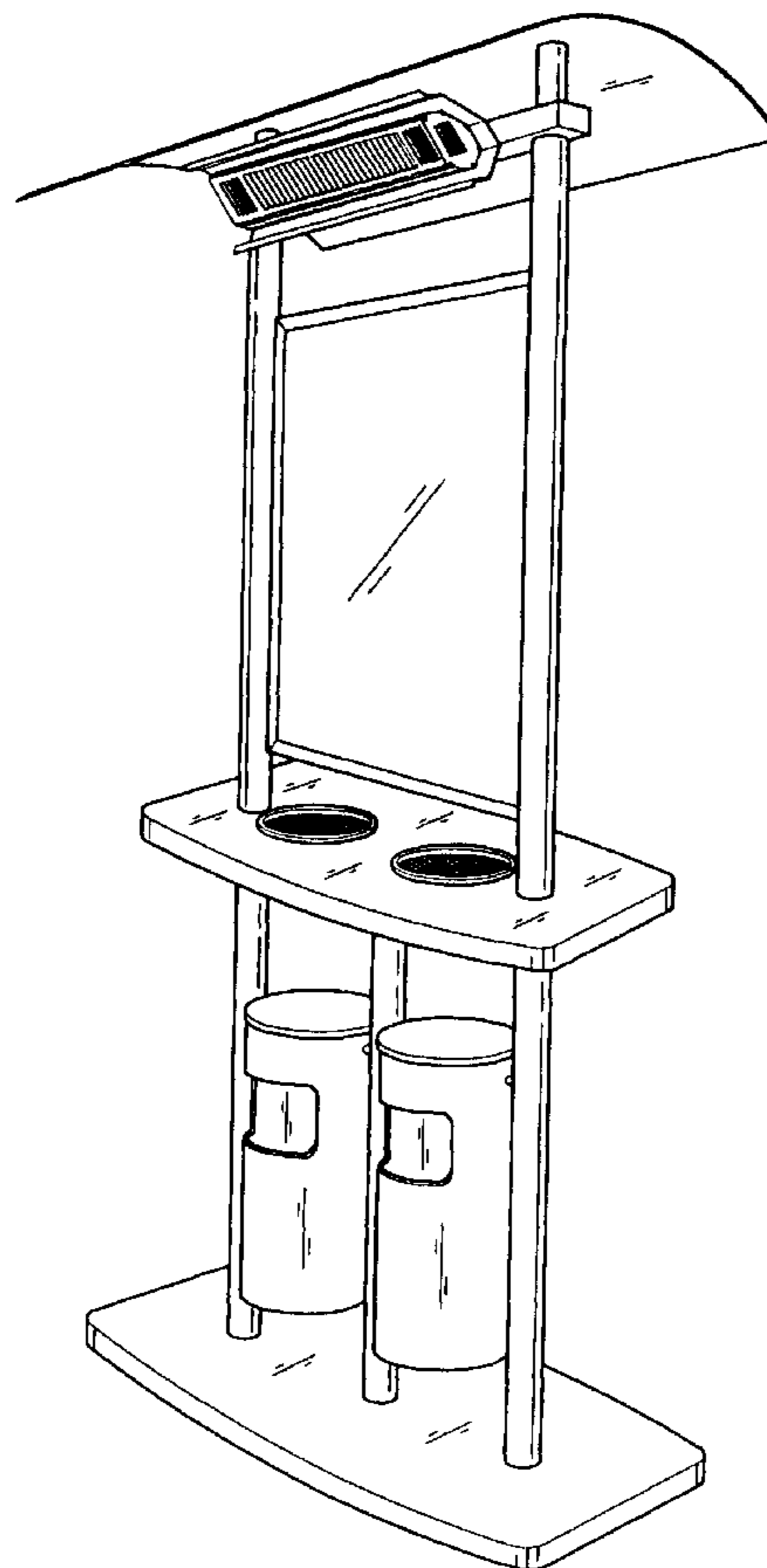
FIG. 3 is a rear view thereof;

FIG. 4 is a right side elevational view thereof; the opposite side being a mirror image of the shown;

FIG. 5 is a top plan view thereof; and,

FIG. 6 is a bottom plan view thereof.

**1 Claim, 5 Drawing Sheets**



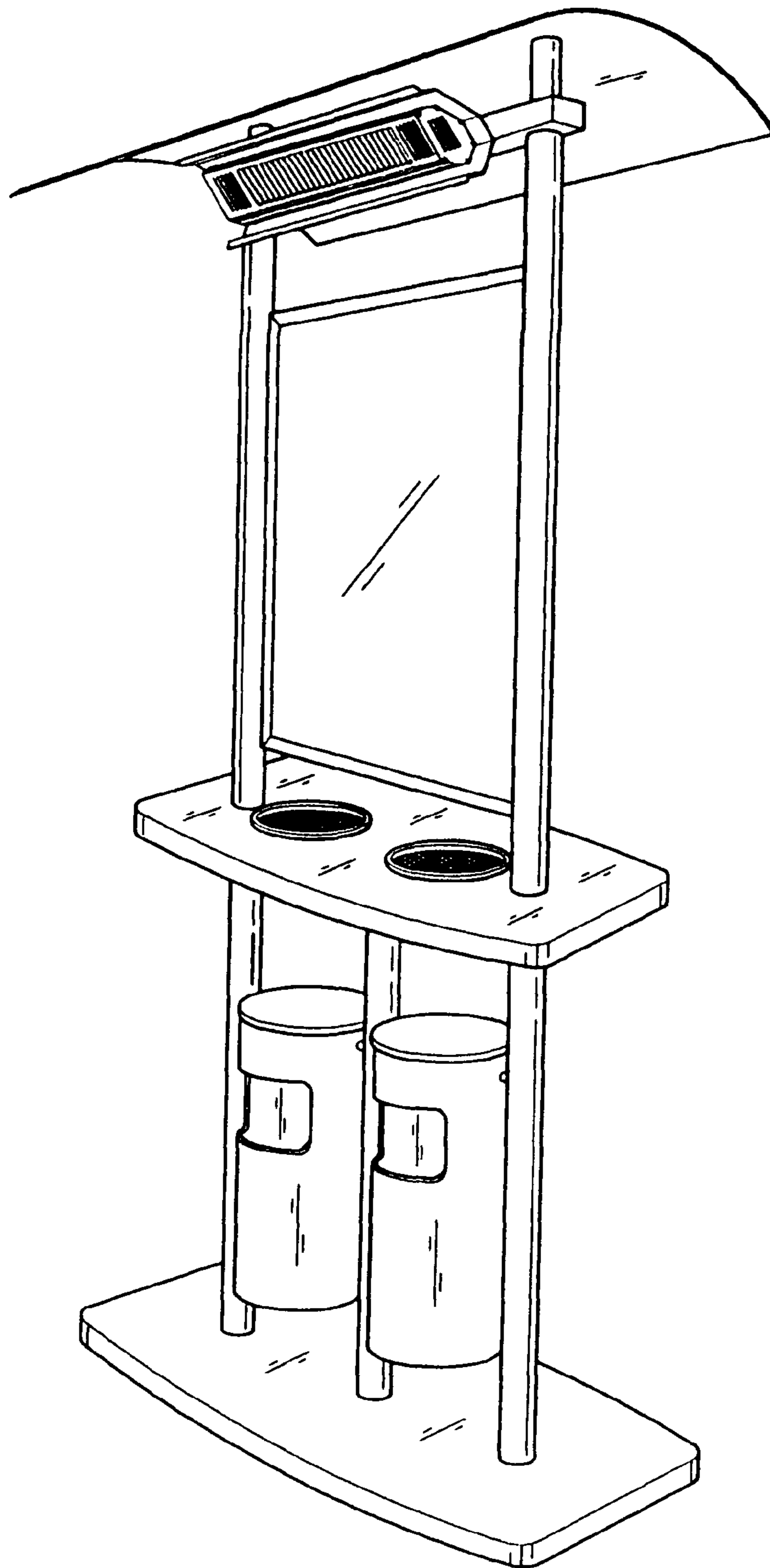


FIG.1

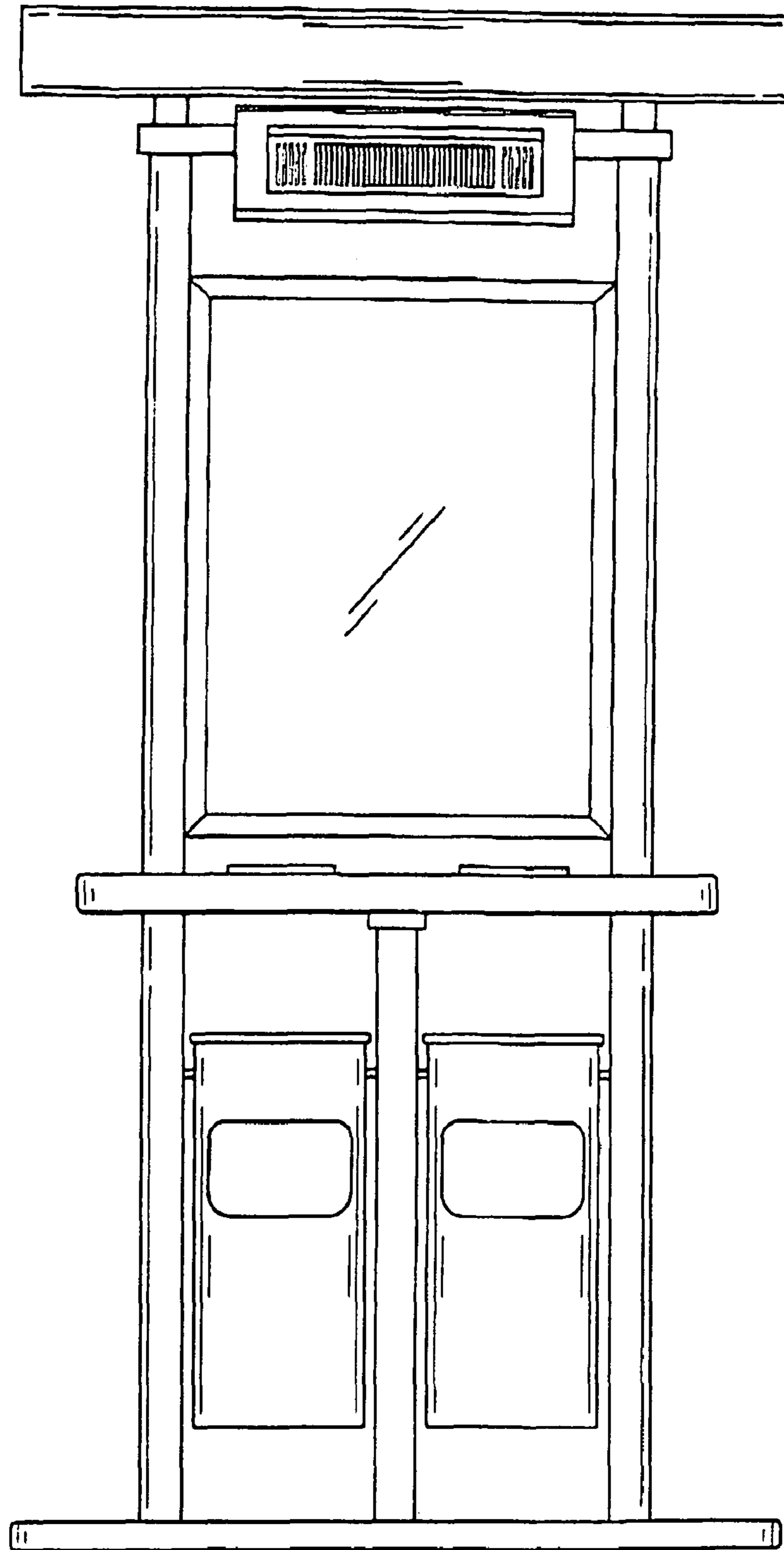


FIG.2

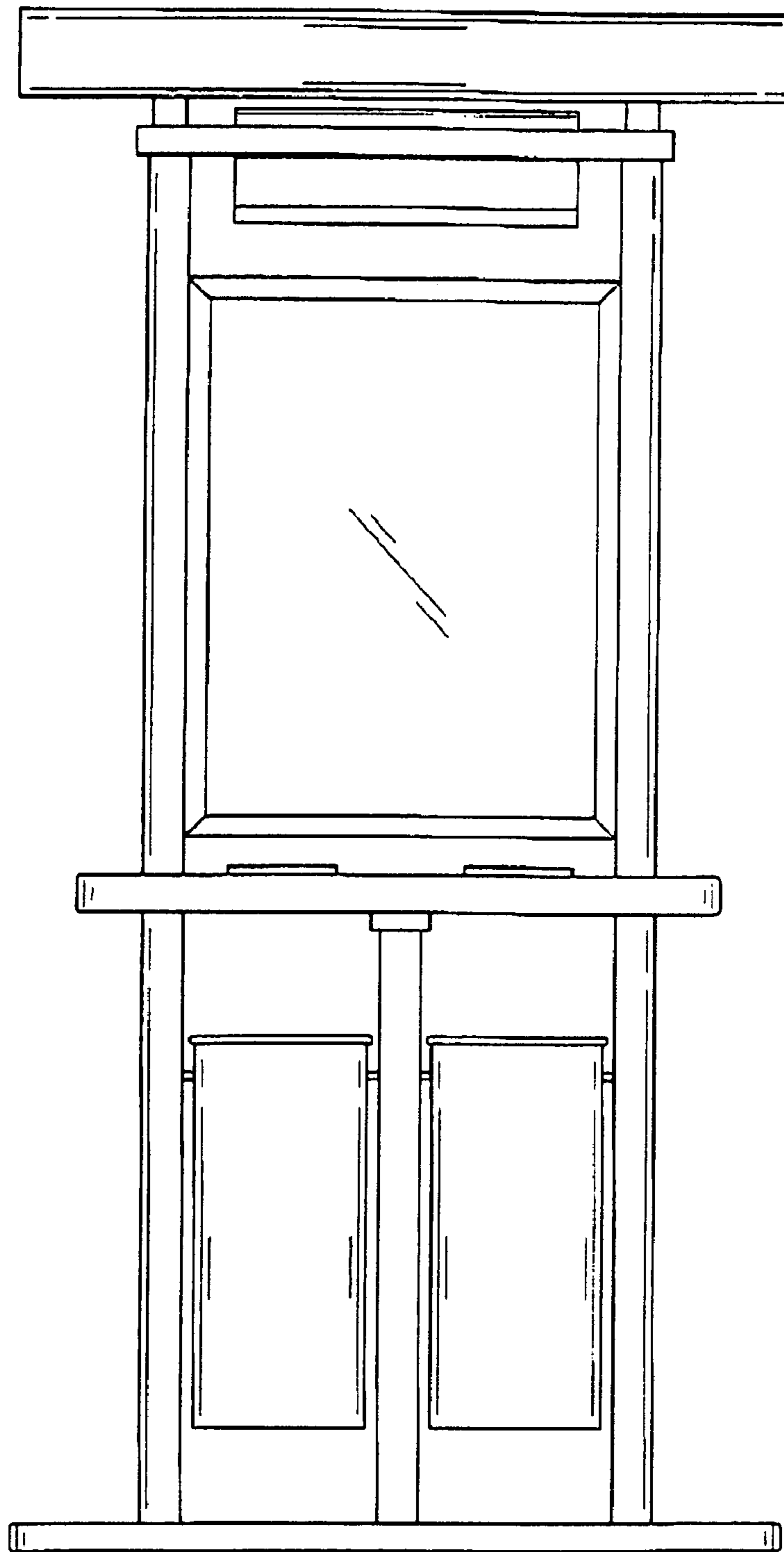


FIG.3

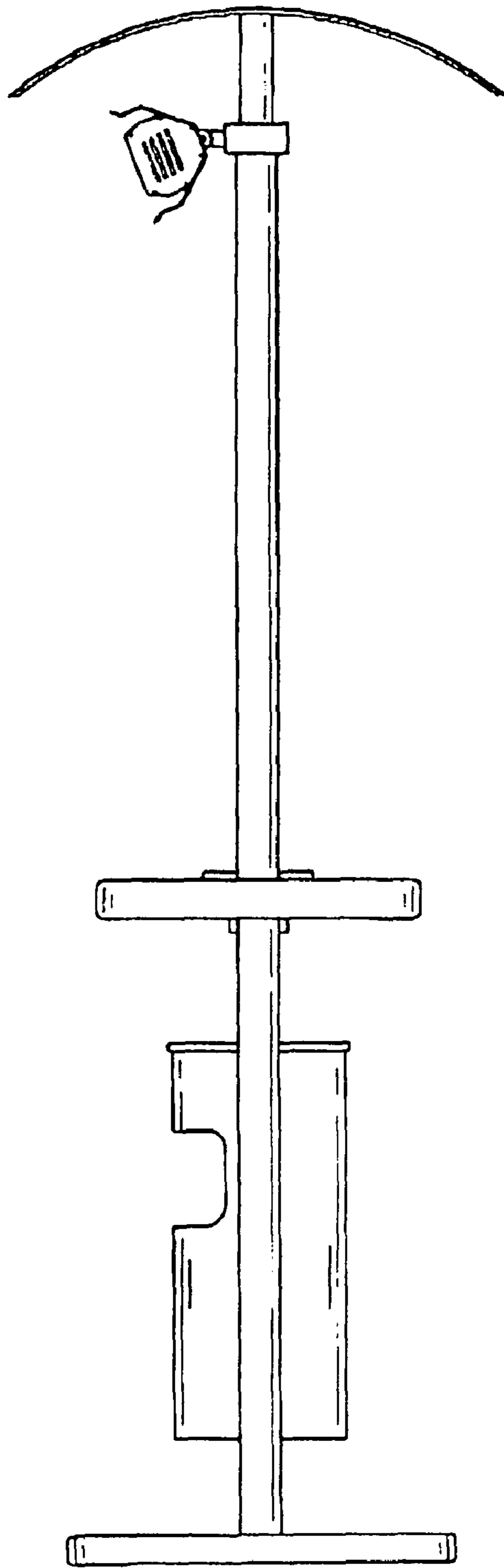


FIG.4

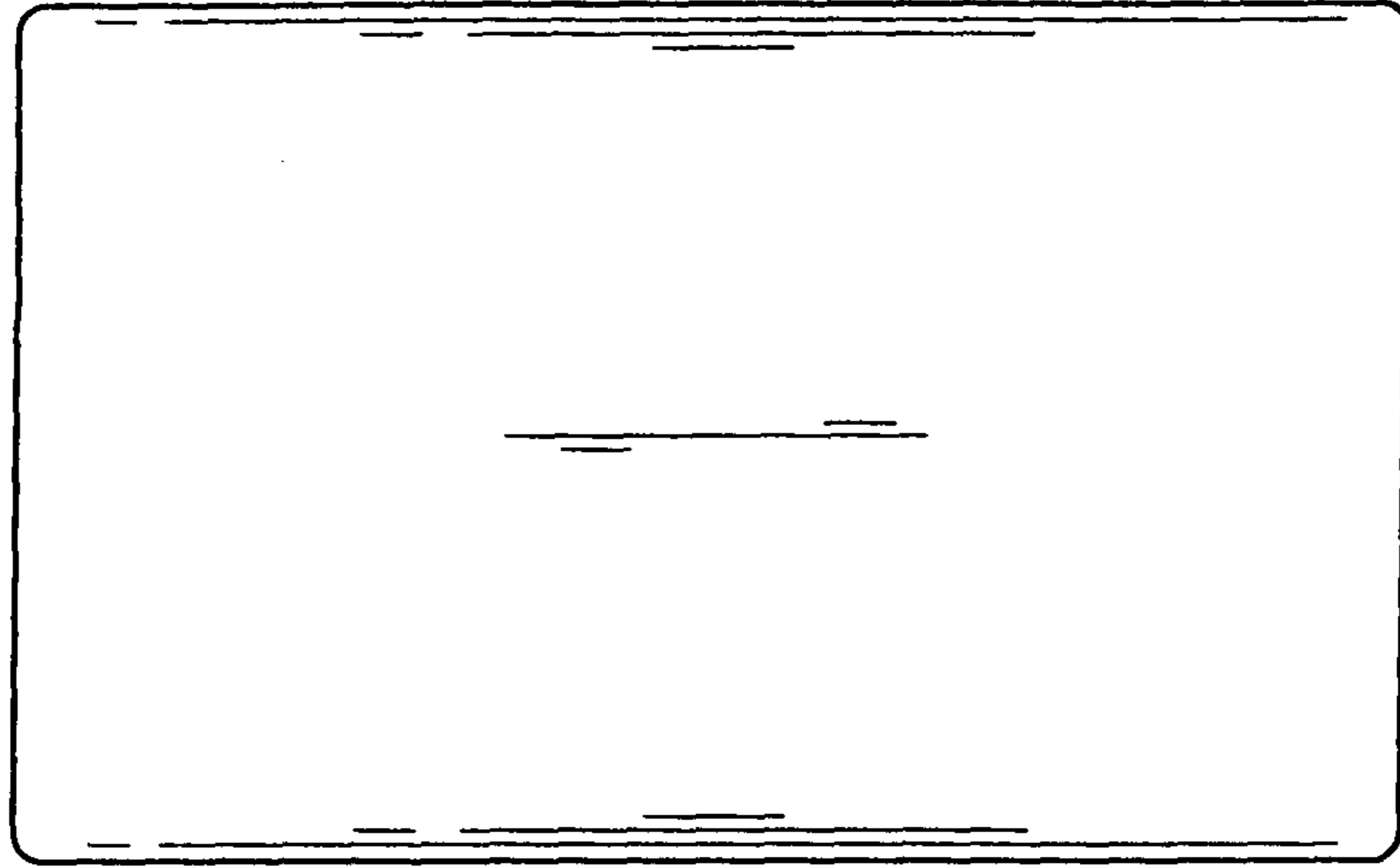


FIG. 5

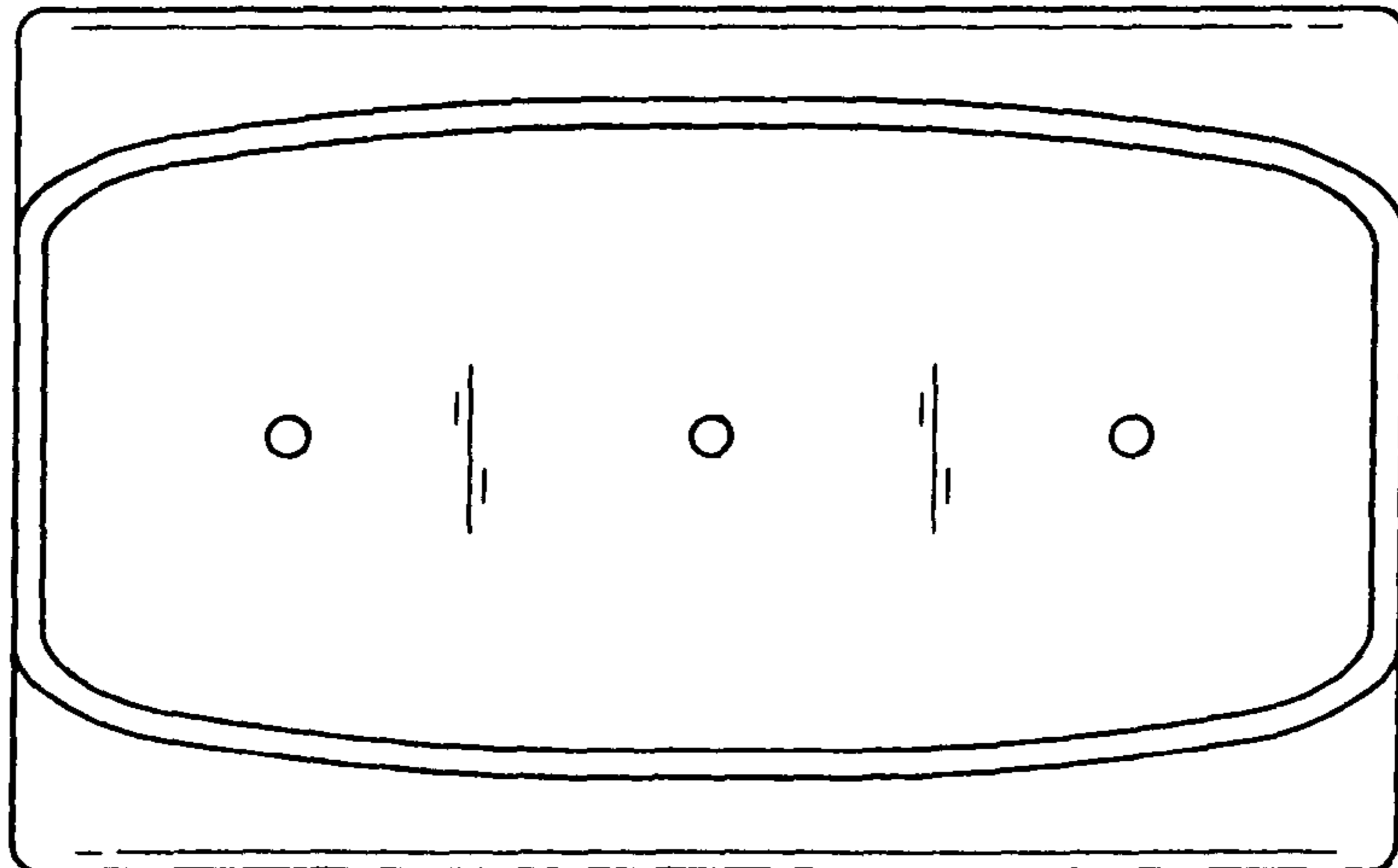


FIG. 6