



US00D626354S

(12) **United States Design Patent**
Lau et al.

(10) **Patent No.:** **US D626,354 S**
(45) **Date of Patent:** **** Nov. 2, 2010**

(54) **VIDEO GAME CART**

(75) Inventors: **Barbara Lau**, Washington, DC (US);
Darin W. Morrell, Manassas, VA (US)

(73) Assignee: **Cause (Comfort for America's Uniformed Services)**, Alexandria, VA (US)

(**) Term: **14 Years**

(21) Appl. No.: **29/344,751**

(22) Filed: **Oct. 2, 2009**

(51) **LOC (9) Cl.** **06-04**

(52) **U.S. Cl.** **D6/449; D6/495**

(58) **Field of Classification Search** D6/495,
D6/422-426, 467, 429, 480, 474; 108/147.1,
108/144.11, 147, 50.01; 248/188.5, 688,
248/121; 361/679.4; D34/27; 211/135,
211/153, 19

See application file for complete search history.

(56) **References Cited**

U.S. PATENT DOCUMENTS

D409,861 S *	5/1999	Newhouse	D6/495
D493,977 S *	8/2004	Rossini et al.	D6/426
6,883,439 B1 *	4/2005	Moore	108/147
D534,746 S *	1/2007	Rossini et al.	D6/495
D585,667 S *	2/2009	Levy et al.	D6/467
7,612,999 B2 *	11/2009	Clark et al.	361/679.4

D610,770 S *	2/2010	Rossini et al.	D34/27
D612,124 S *	3/2010	Rossini et al.	D34/27
2009/0206232 A1 *	8/2009	Tan	248/688
2010/0006715 A1 *	1/2010	Wills et al.	248/121

* cited by examiner

Primary Examiner—Susan M. Lee

Assistant Examiner—Sydney R Buffalow

(74) *Attorney, Agent, or Firm*—Oblon, Spivak, McClelland, Maier & Neustadt, L.L.P.

(57) **CLAIM**

The ornamental design for a video game cart, as shown and described.

DESCRIPTION

FIG. 1 is a top, right side, and front perspective view of a video game cart, showing our new design;

FIG. 2 is a front elevational view thereof;

FIG. 3 is a rear elevational view thereof;

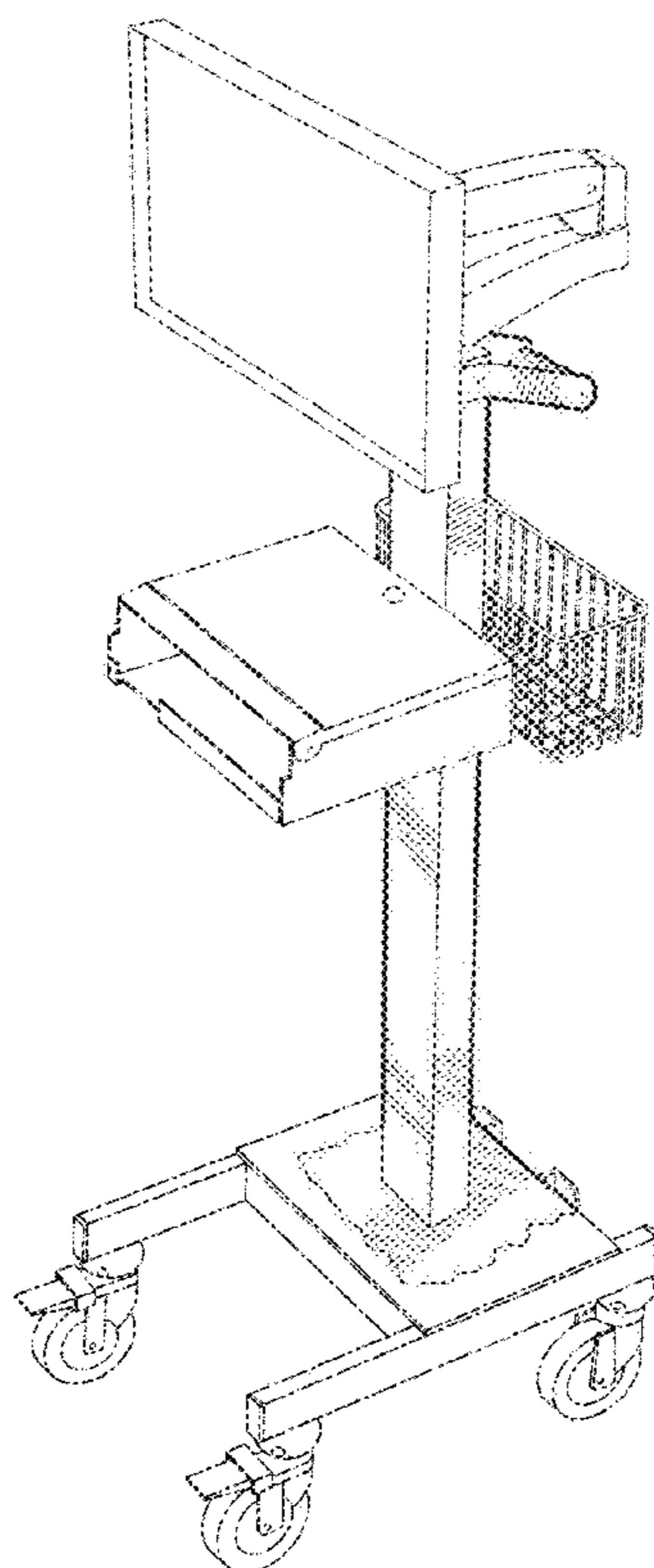
FIG. 4 is a right side elevational view thereof, the left side elevational view being a mirror image of the right side elevational view shown;

FIG. 5 is a top plan view thereof; and,

FIG. 6 is a bottom plan view thereof.

The broken lines are for the illustrative purposes only and form no part of the claimed design.

1 Claim, 5 Drawing Sheets



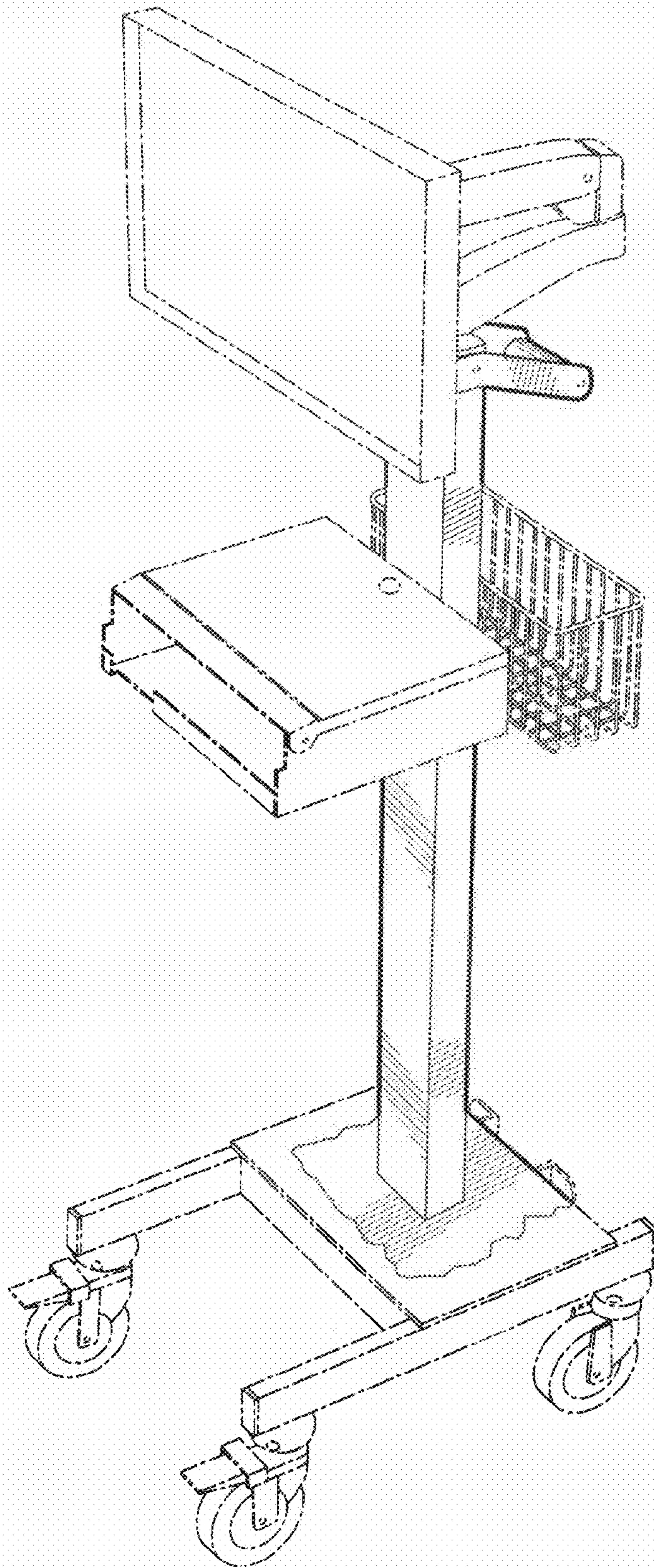


Fig. 1

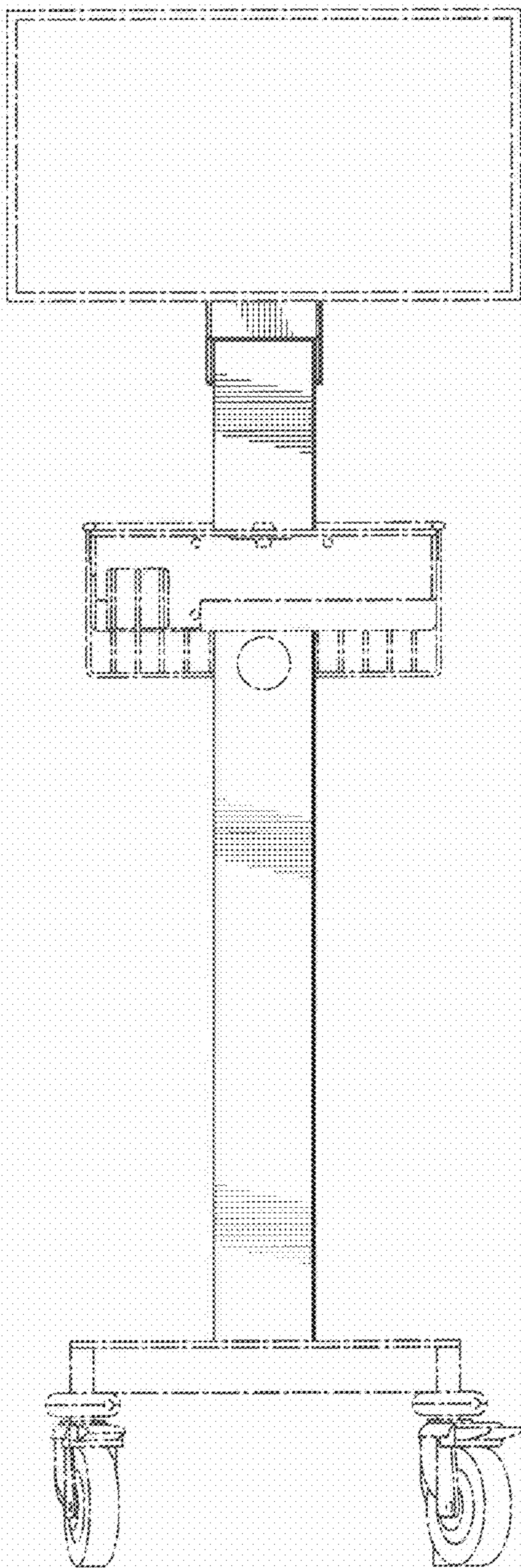


Fig. 2

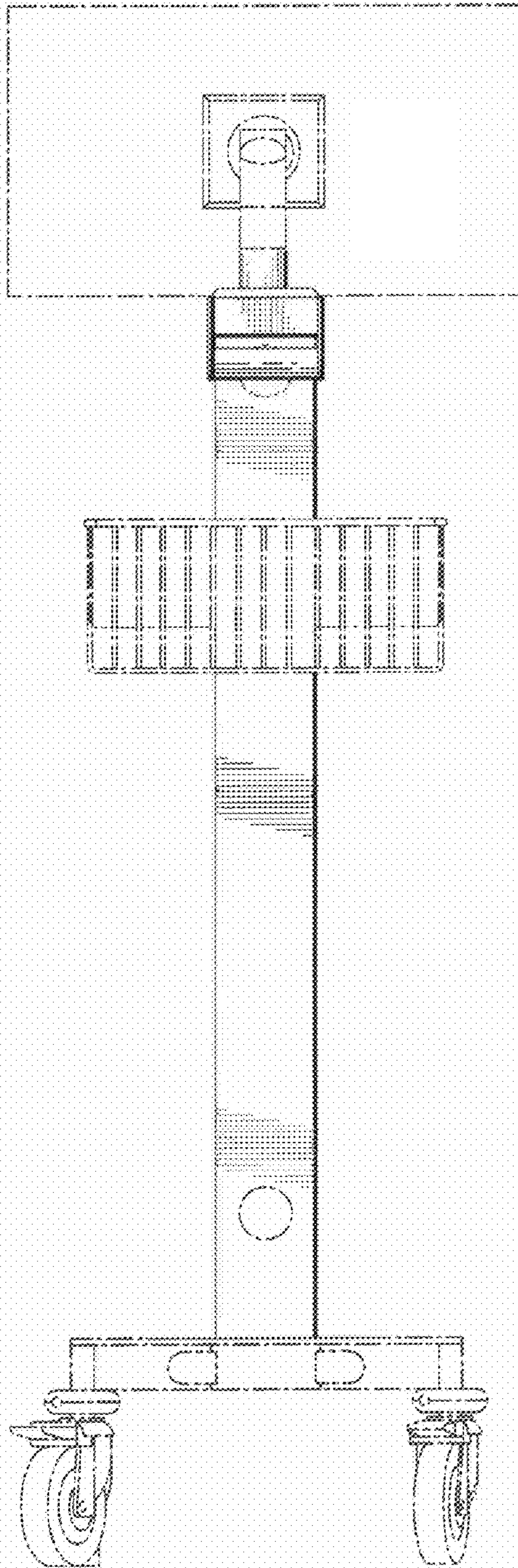


Fig. 3

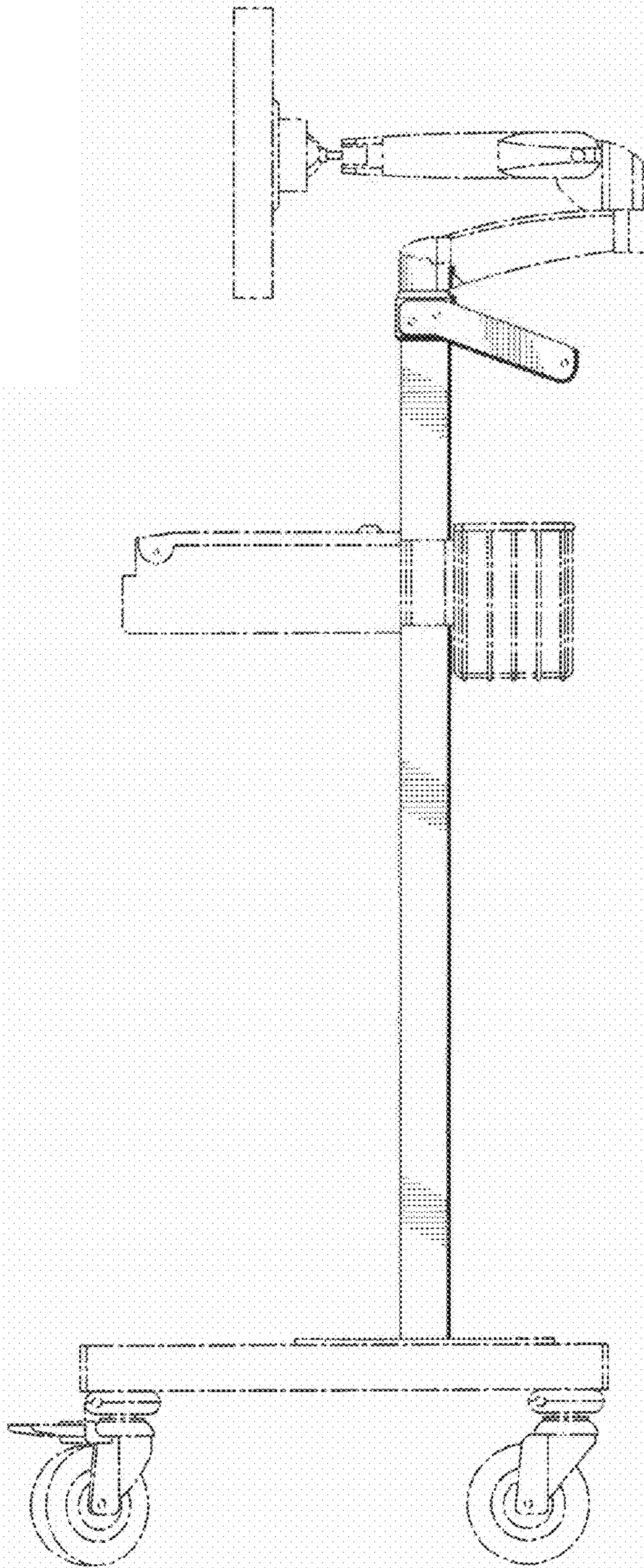


Fig. 4

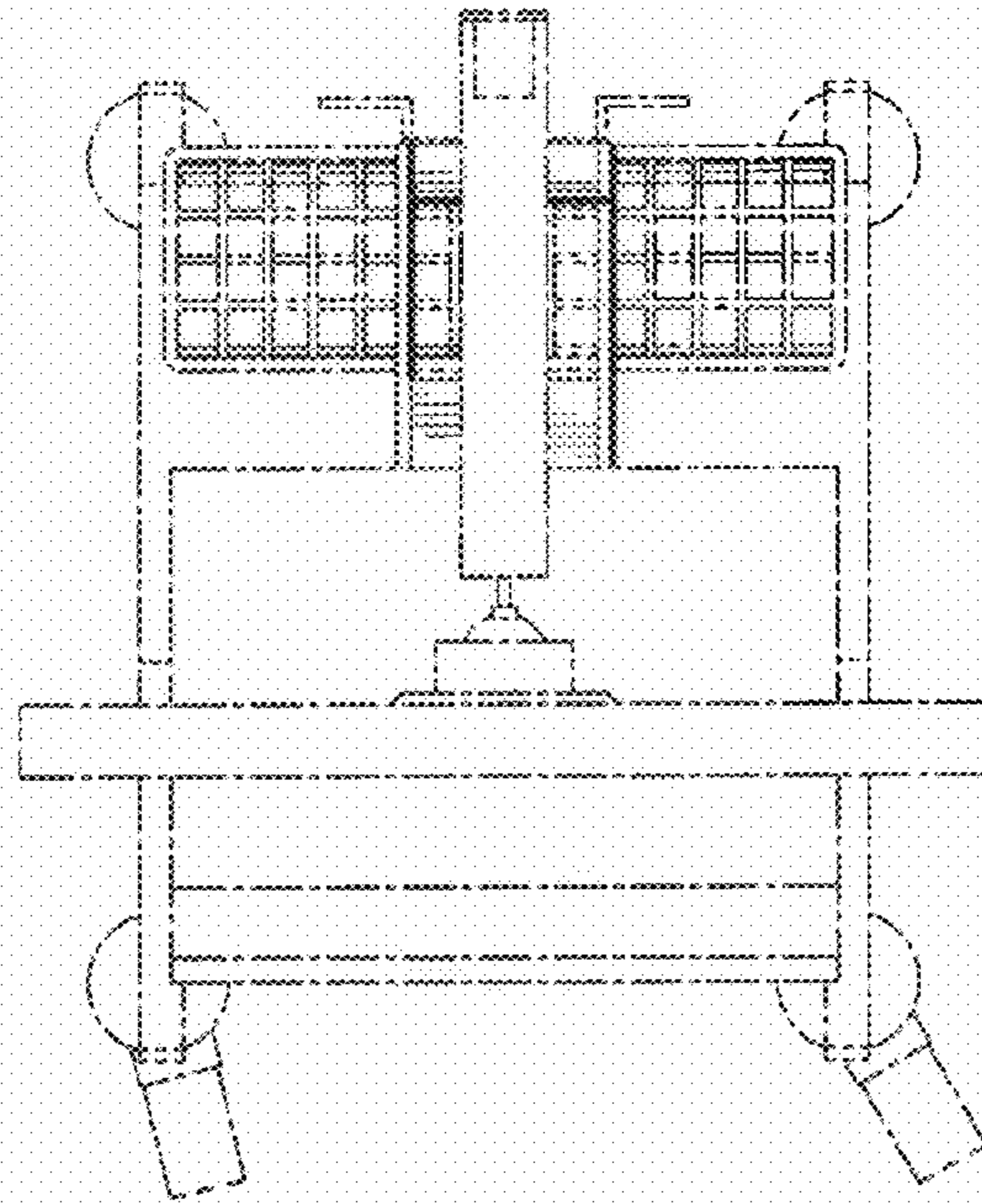


Fig. 5

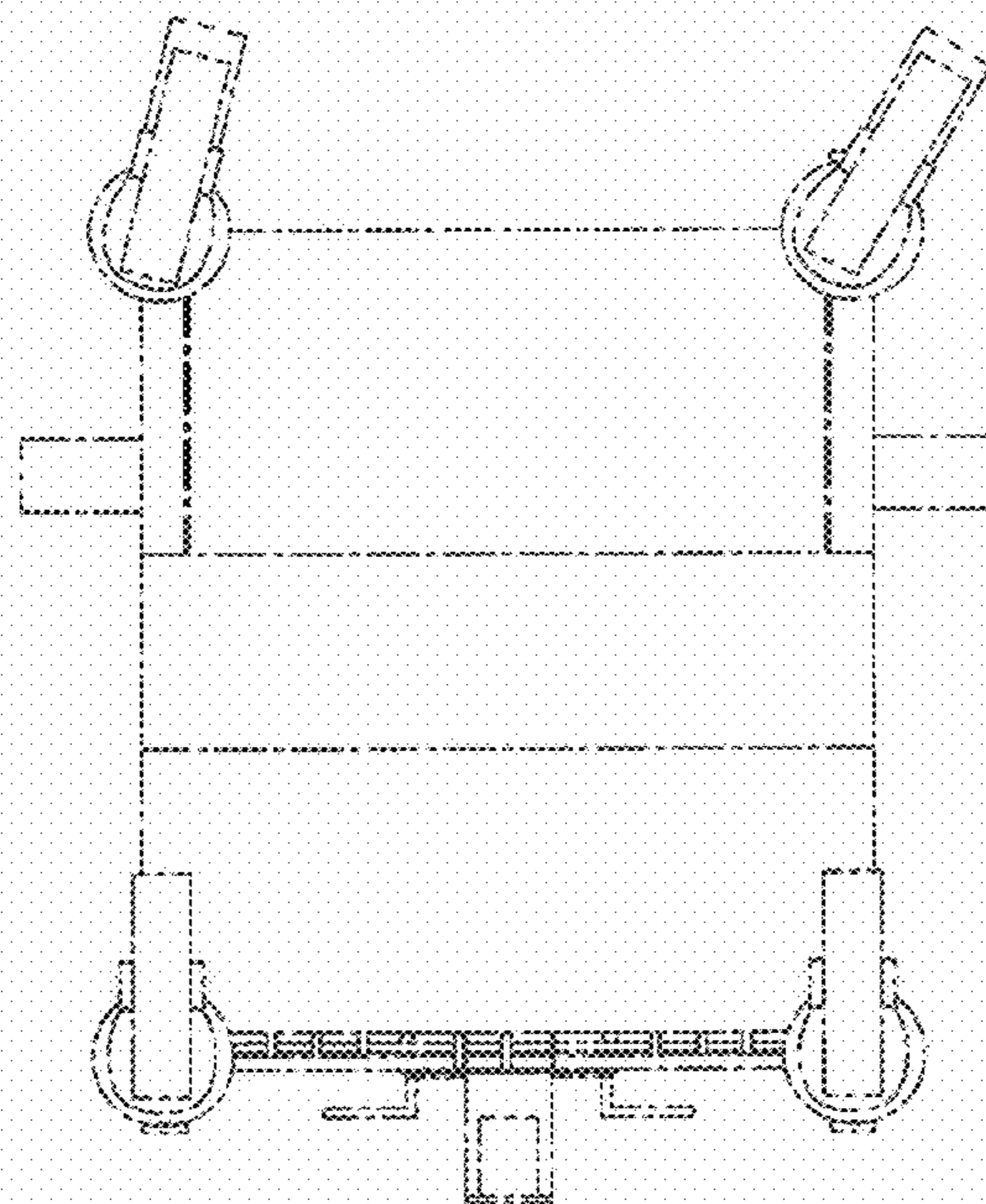


Fig. 6