



US00D626353S

(12) **United States Design Patent**
Magruder

(10) **Patent No.:** **US D626,353 S**

(45) **Date of Patent:** **** Nov. 2, 2010**

(54) **FREE-STANDING KIOSK**

(76) Inventor: **David C. Magruder**, 10601 SE. Le Parc Dr., Tequesta, FL (US) 33469

(**) Term: **14 Years**

(21) Appl. No.: **29/351,838**

(22) Filed: **Dec. 11, 2009**

(51) **LOC (9) Cl.** **06-04**

(52) **U.S. Cl.** **D6/396; D20/10**

(58) **Field of Classification Search** D6/396,
D6/449, 458, 462, 467, 479, 407, 509, 491,
D6/511, 492, 397; D14/239, 217, 448, 224,
D14/451, 452, 307, 375, 335, 126, 100, 103,
D14/106, 113; 40/606.01, 607.01; 248/129,
248/917-924; D20/10

See application file for complete search history.

(56) **References Cited**

U.S. PATENT DOCUMENTS

- D190,917 S * 7/1961 Fischer D6/397
- D425,875 S * 5/2000 Wilson D14/307
- D427,597 S * 7/2000 Arfin et al. D14/375
- D436,630 S * 1/2001 Gonsiorowski et al. D20/10
- D525,953 S * 8/2006 Anzures D14/126
- D539,280 S * 3/2007 Andresen D14/335

- D600,046 S * 9/2009 Kelsen D6/449
- D600,945 S * 9/2009 Kelsen D6/449
- D615,514 S * 5/2010 Mellingen et al. D14/126

* cited by examiner

Primary Examiner—Philip S Hyder

Assistant Examiner—Sydney R Buffalow

(74) *Attorney, Agent, or Firm*—McHale & Slavin, P.A.

(57) **CLAIM**

The ornamental design for a free-standing kiosk, as shown and described.

DESCRIPTION

FIG. 1 is a front right perspective view of the free-standing kiosk of the instant invention;

FIG. 2 is a front view thereof;

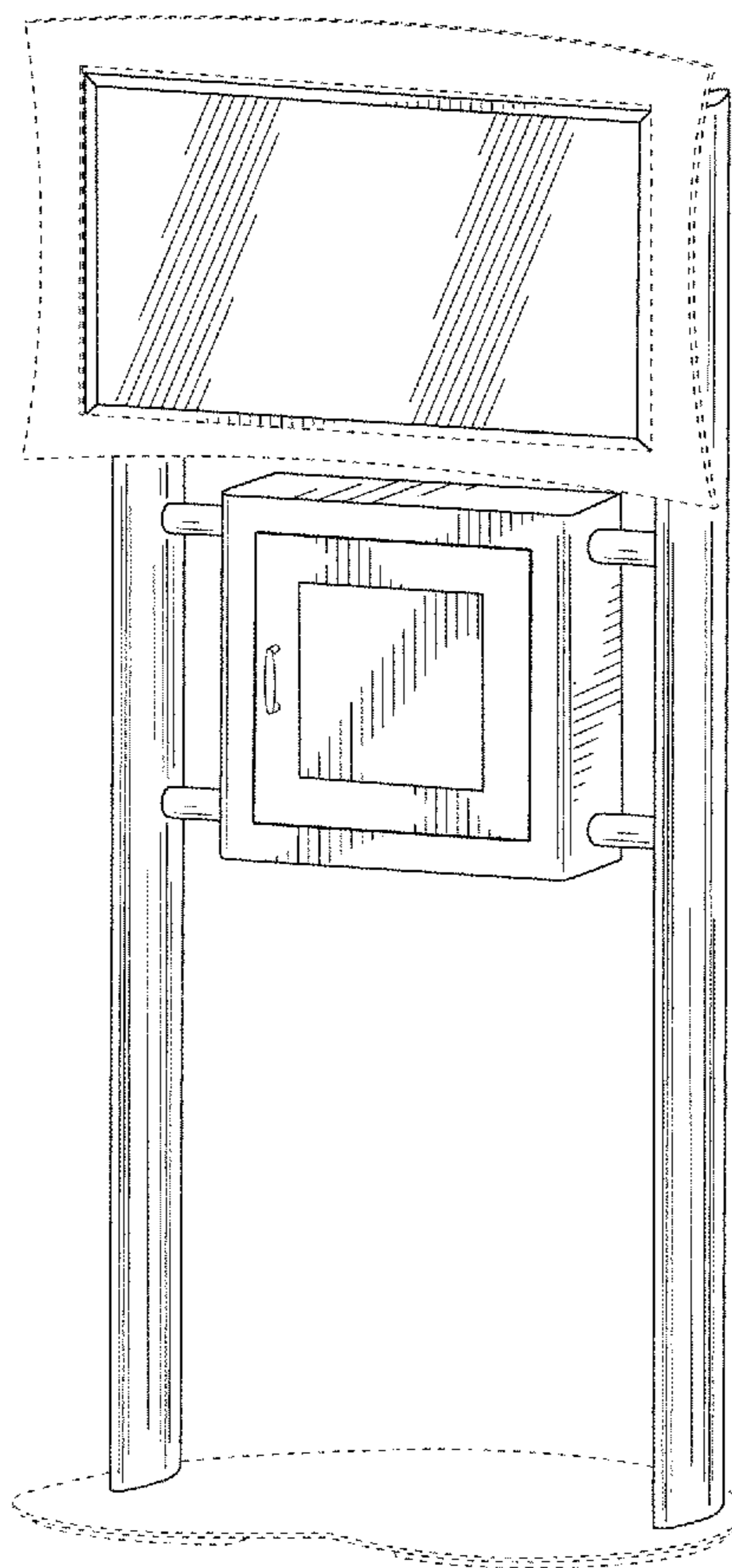
FIG. 3 is a rear view thereof;

FIG. 4 is a right side view thereof, the left side view being a mirror image thereof; and,

FIG. 5 is a top view thereof.

The portions of the figures illustrated in broken lines are for illustrative purposes only and form no part of the claimed design.

1 Claim, 5 Drawing Sheets



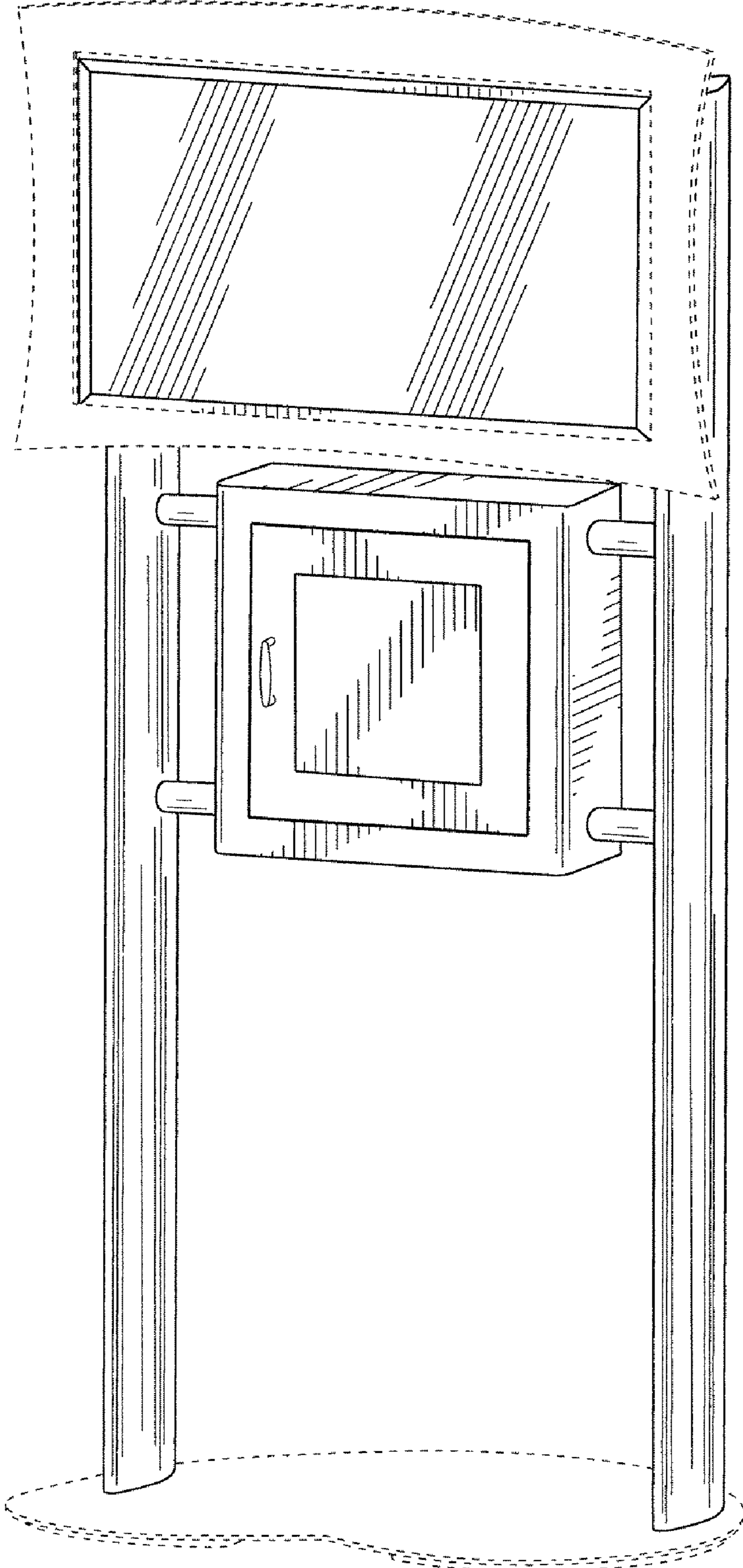


FIG. 1

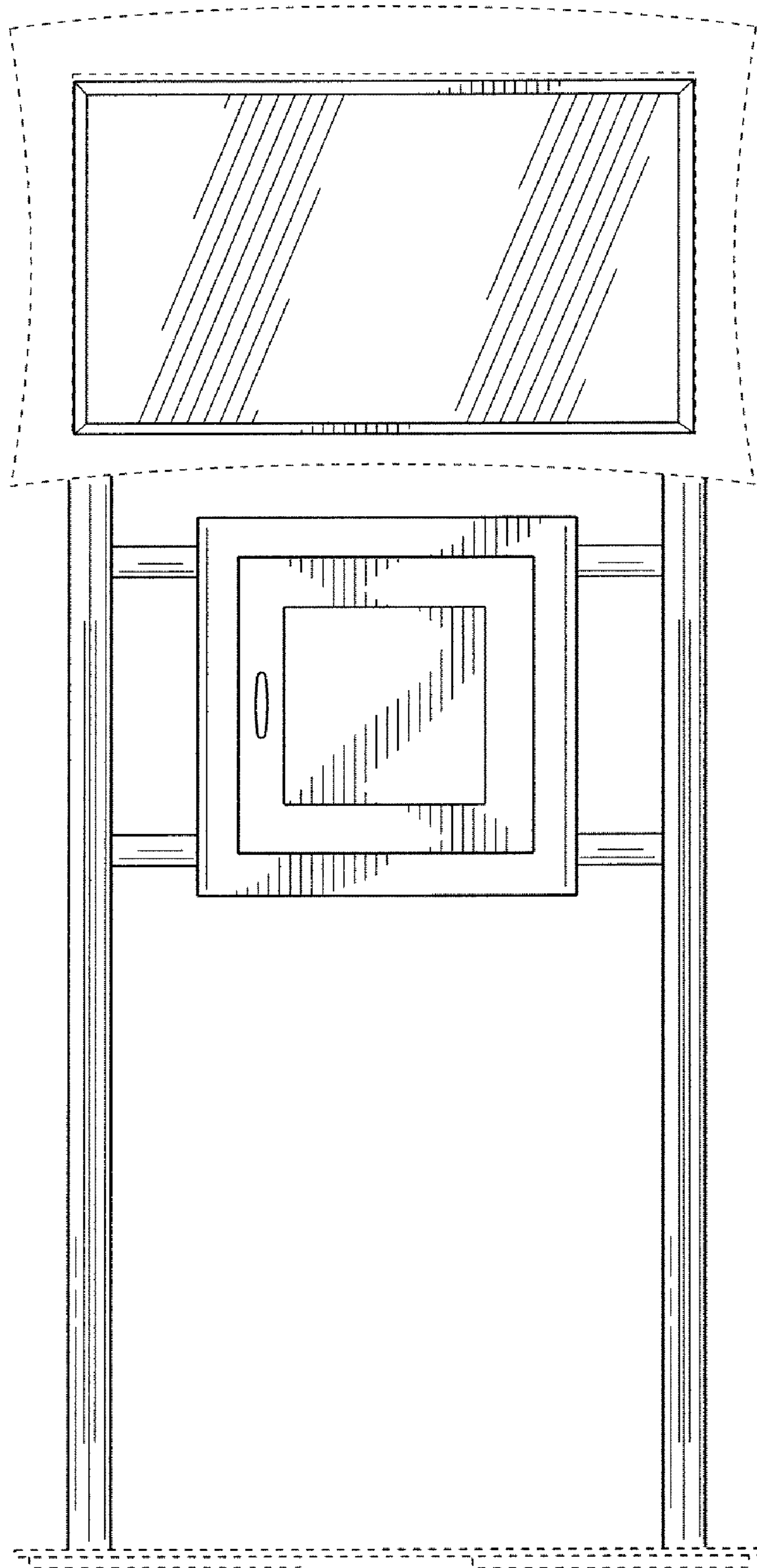


FIG. 2

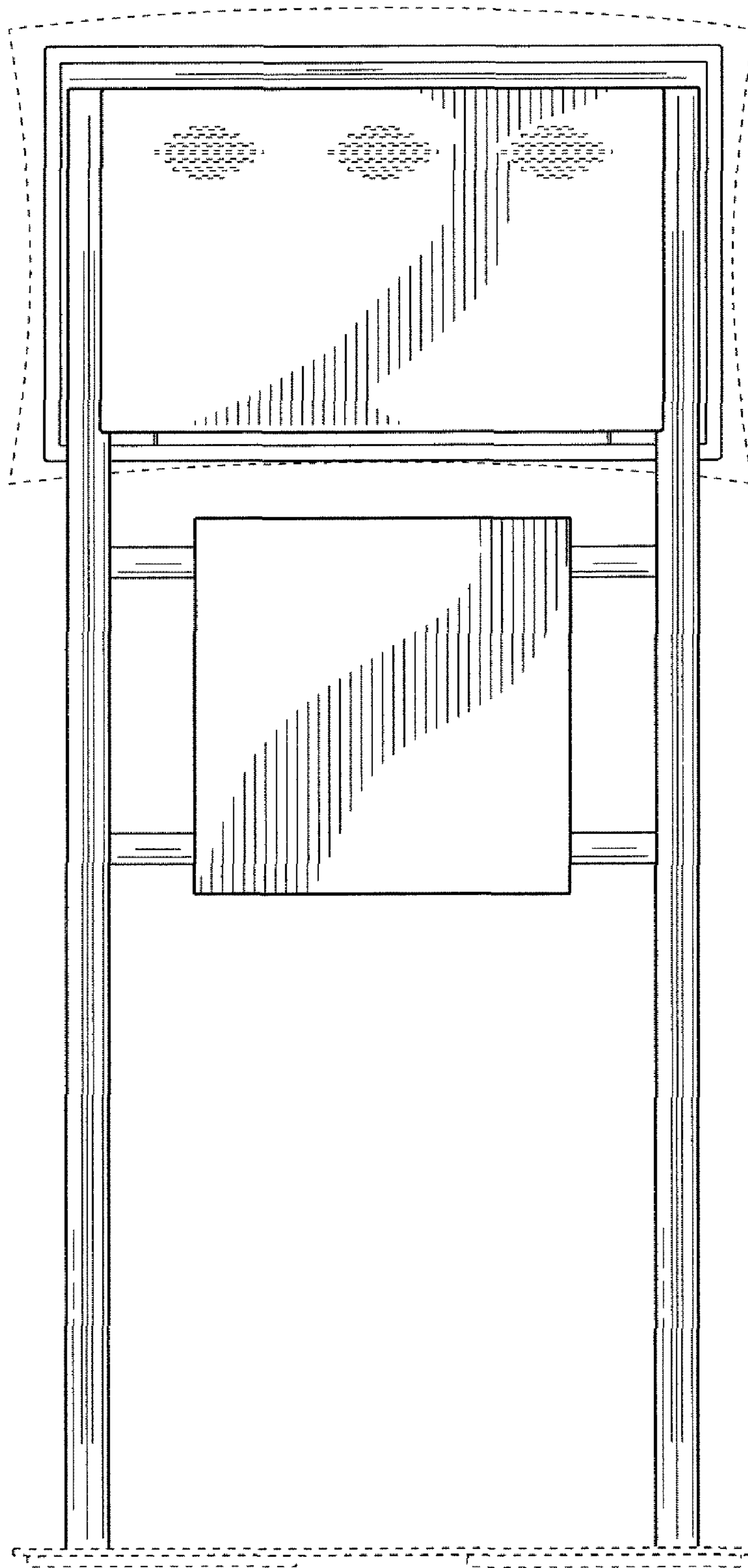


FIG. 3

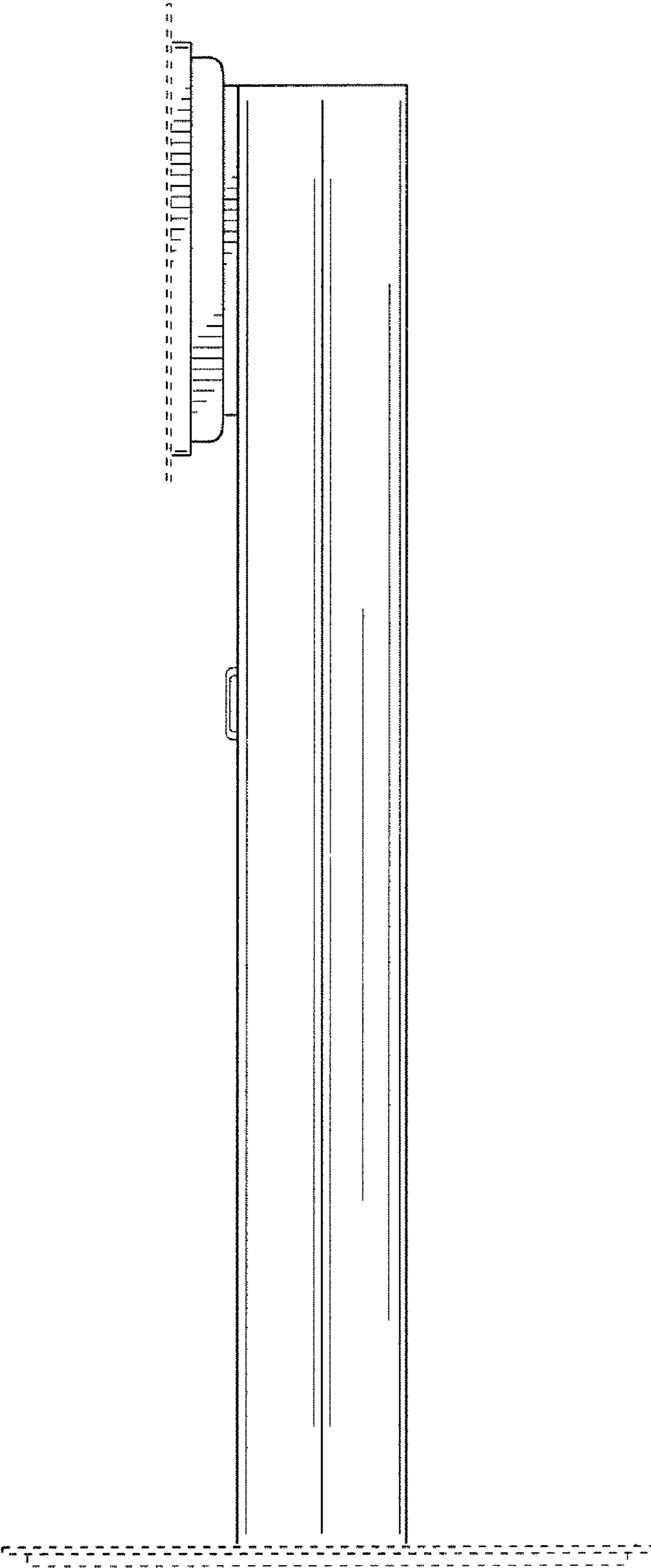


FIG. 4

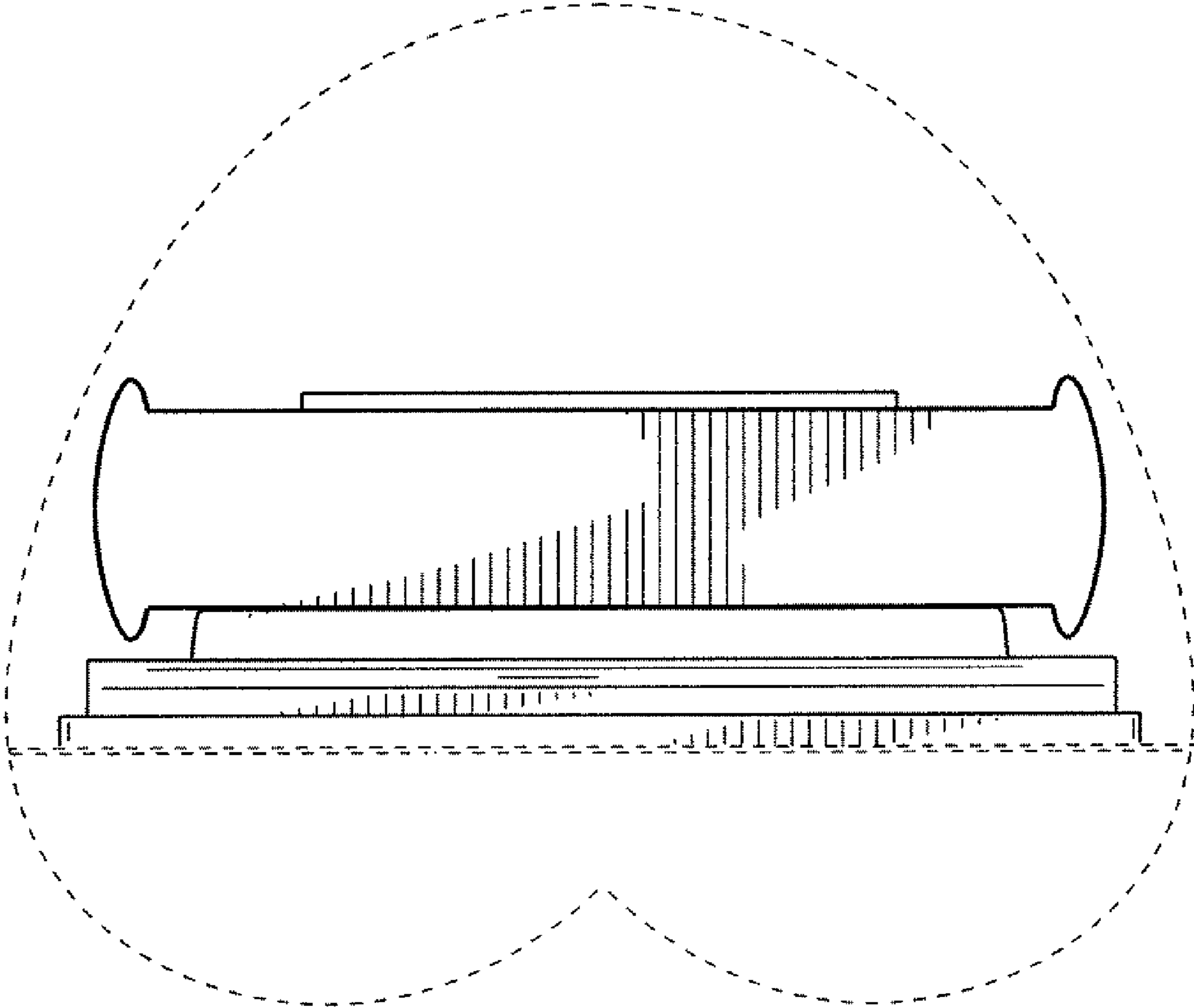


FIG. 5