



US00D626352S

(12) **United States Design Patent**  
**Haudot**

(10) **Patent No.:** **US D626,352 S**  
(45) **Date of Patent:** **\*\* Nov. 2, 2010**

(54) **KIOSK**

(76) Inventor: **Gerard François Haudot**, No. 259/264  
Sukhumvit 71, Soi Pridi, Banomyong 13,  
Phibun Wet, Prakanong, Klongtun,  
Bangkok (TH) 10110

(\*\*) Term: **14 Years**

(21) Appl. No.: **29/311,977**

(22) Filed: **Aug. 12, 2009**

(30) **Foreign Application Priority Data**

Feb. 13, 2009 (TH) ..... 0902000381

(51) **LOC (9) Cl.** ..... **06-04**

(52) **U.S. Cl.** ..... **D6/396**

(58) **Field of Classification Search** ..... D6/462,  
D6/464, 455, 457, 332, 449, 465, 477, 479,  
D6/396, 474, 409-415, 397, 400; 211/194,  
211/169, 188, 134, 153, 85.24, 96, 168, 186,  
211/187, 204, 206; D32/35, 37, 66; 280/47.35,  
280/79.3; D15/141; 312/237; 108/107  
See application file for complete search history.

(56) **References Cited**

**U.S. PATENT DOCUMENTS**

D170,329 S \* 9/1953 Miller ..... D15/141  
2,904,383 A \* 9/1959 Potts ..... 312/237

5,865,517 A \* 2/1999 Wang ..... 312/237  
D415,365 S \* 10/1999 Nicklas ..... D6/400  
D459,044 S \* 6/2002 Felsenthal ..... D32/66  
6,604,473 B2 \* 8/2003 Felsenthal ..... 108/107  
D597,765 S \* 8/2009 Weigand et al. .... D6/462

\* cited by examiner

*Primary Examiner*—Susan M Lee

*Assistant Examiner*—Sydney R Buffalow

(74) *Attorney, Agent, or Firm*—The Nath Law Group; Jerald  
L. Moyer; Jiaxiao Zhang

(57) **CLAIM**

The ornamental design for a kiosk, as shown and described.

**DESCRIPTION**

FIG. 1 is a perspective view of a kiosk;

FIG. 2 is a front view of the kiosk;

FIG. 3 is a back view of the kiosk;

FIG. 4 is a right side view of the kiosk;

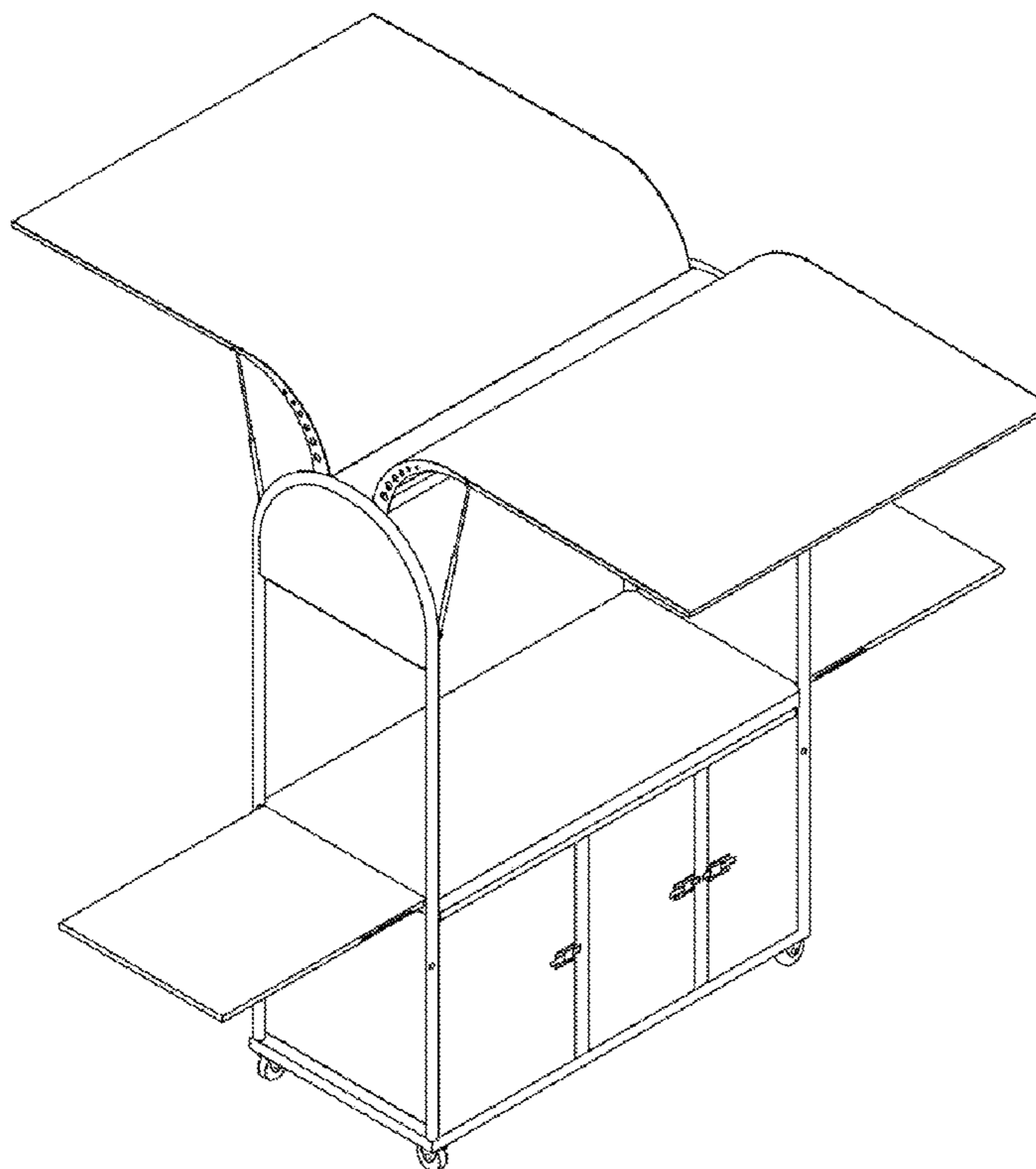
FIG. 5 is a left view of the kiosk;

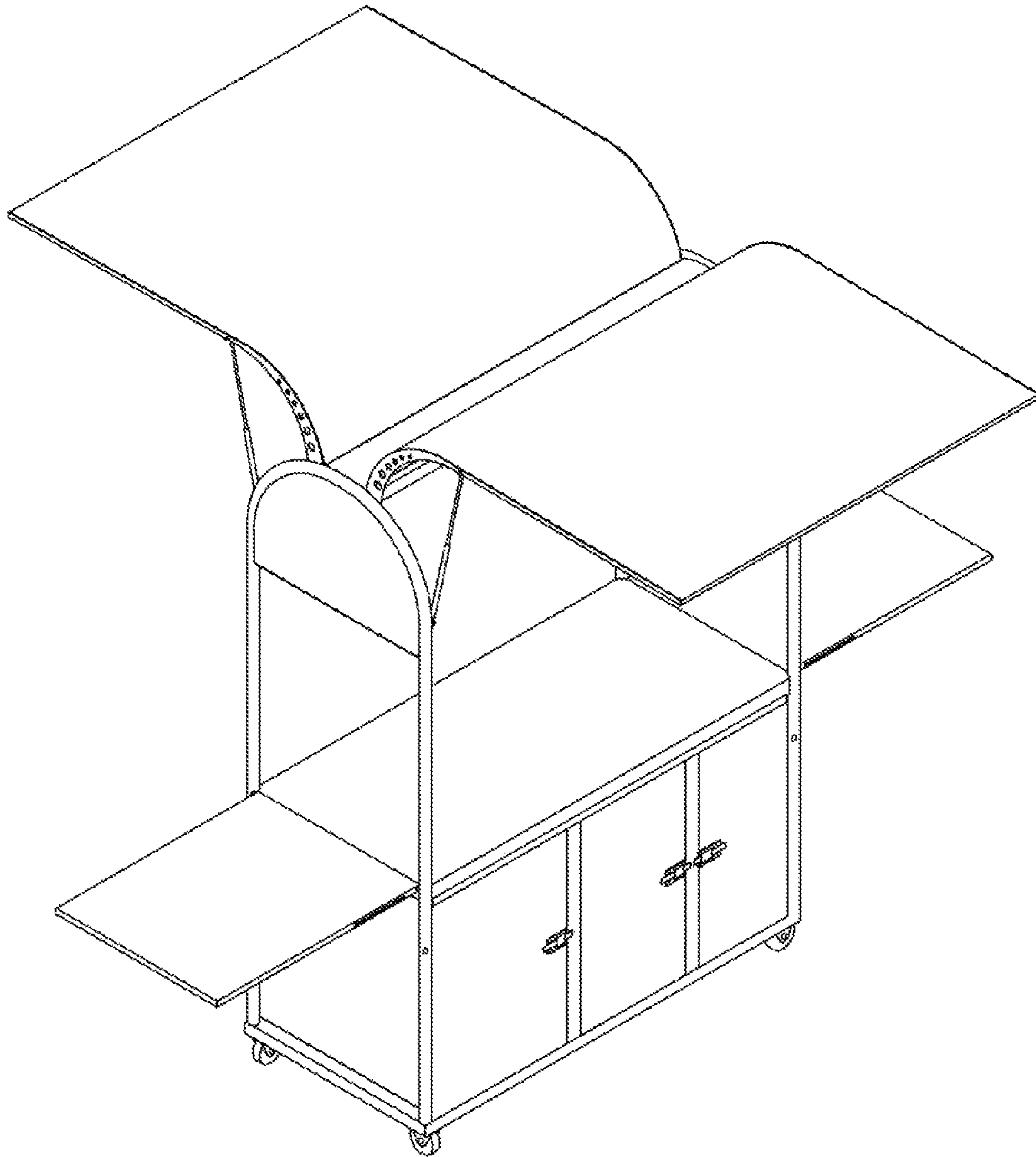
FIG. 6 is a top view of the kiosk; and,

FIG. 7 is a bottom view of the kiosk.

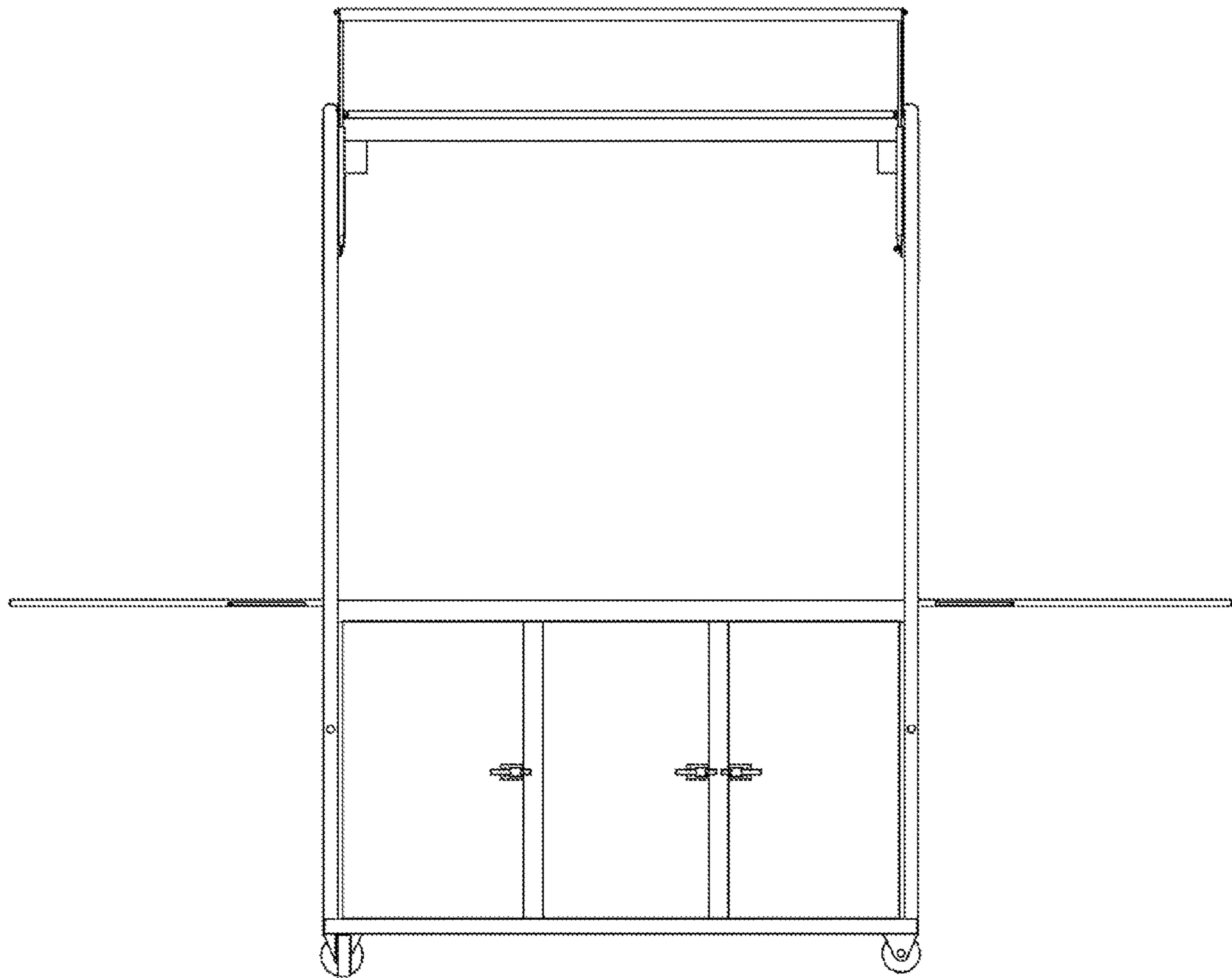
The broken line showing of features of the kiosk are included  
for the purpose of illustrating environment and form no part  
of the claimed design.

**1 Claim, 7 Drawing Sheets**





**FIG 1**



**FIG 2**

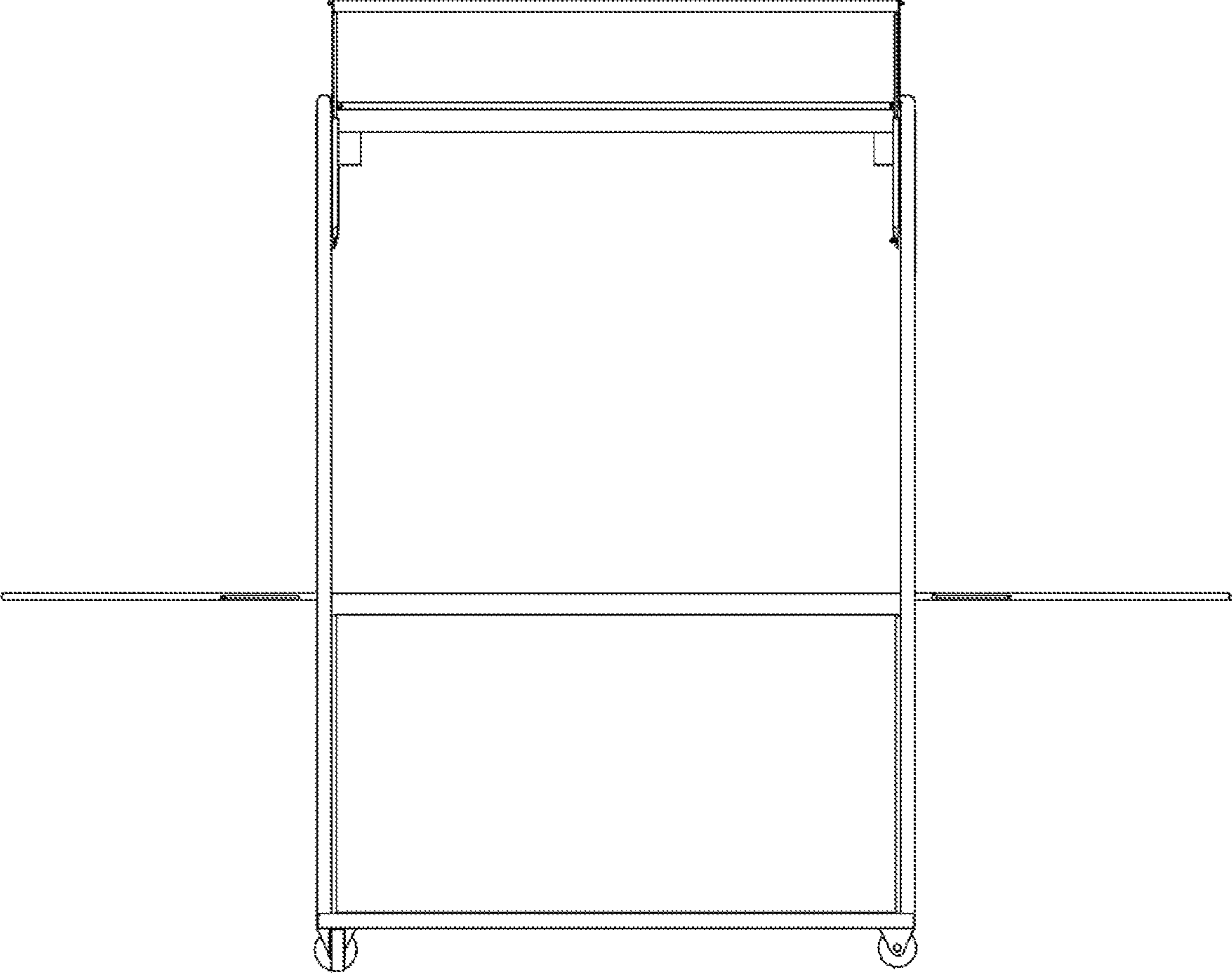
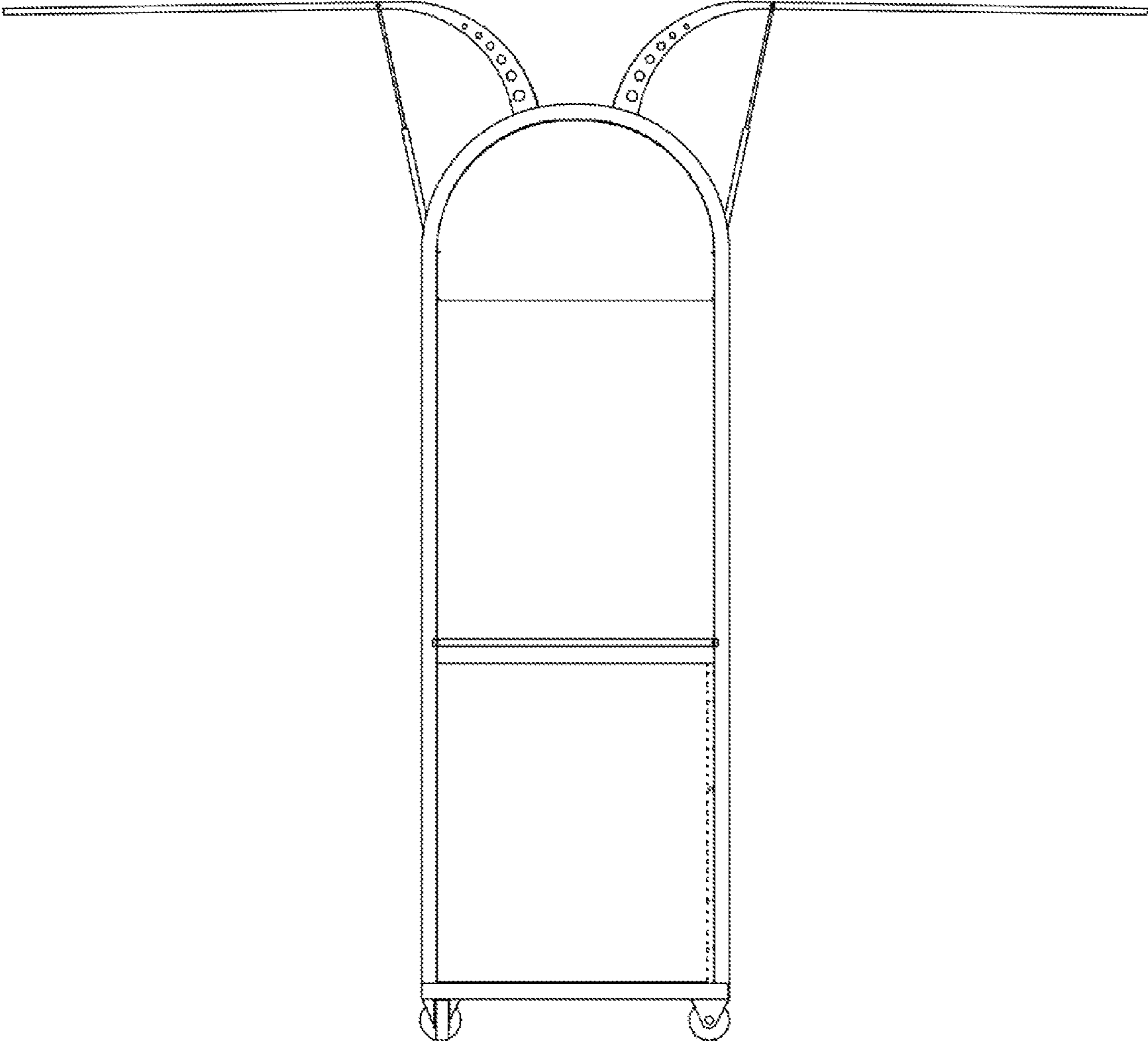
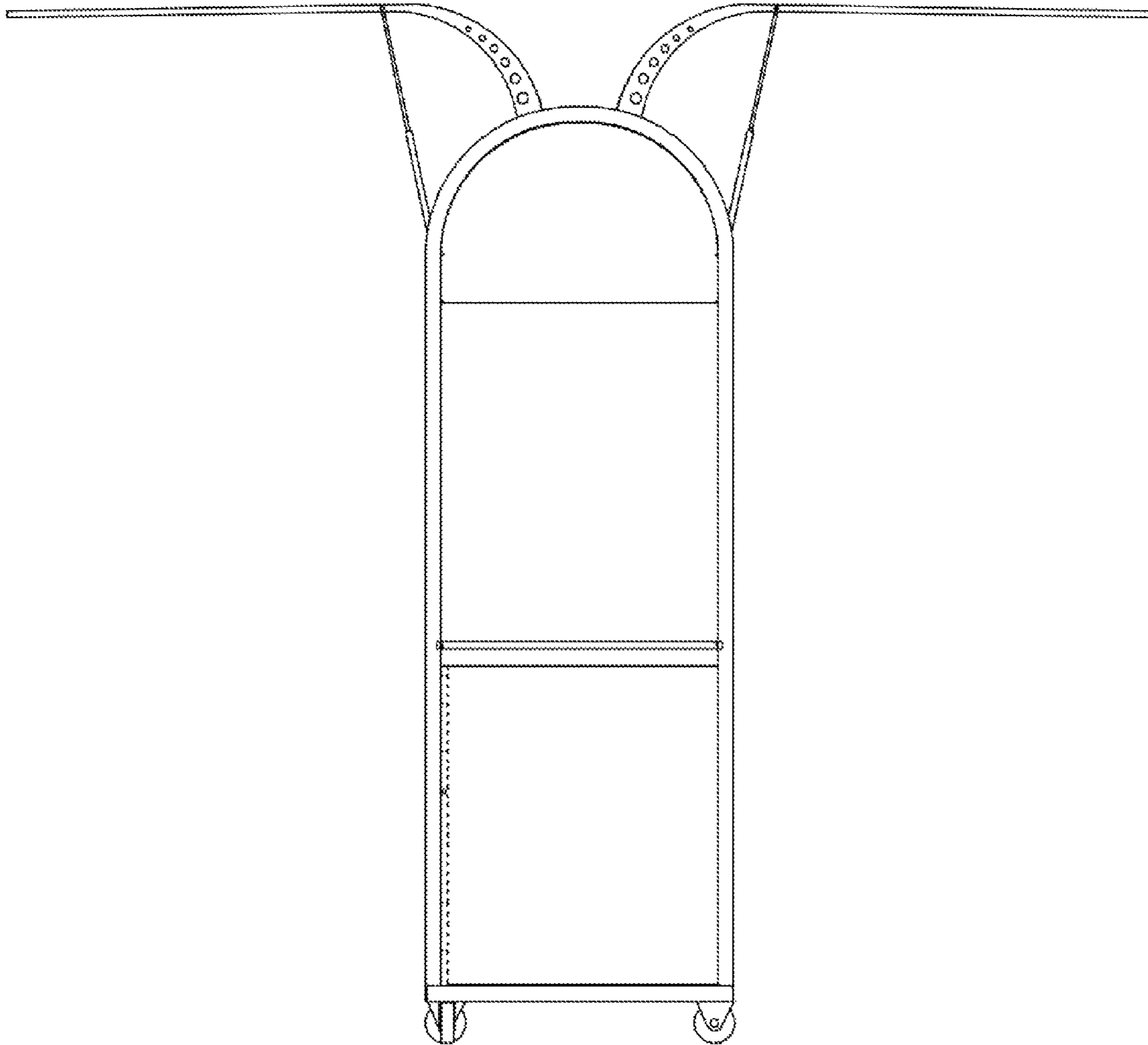


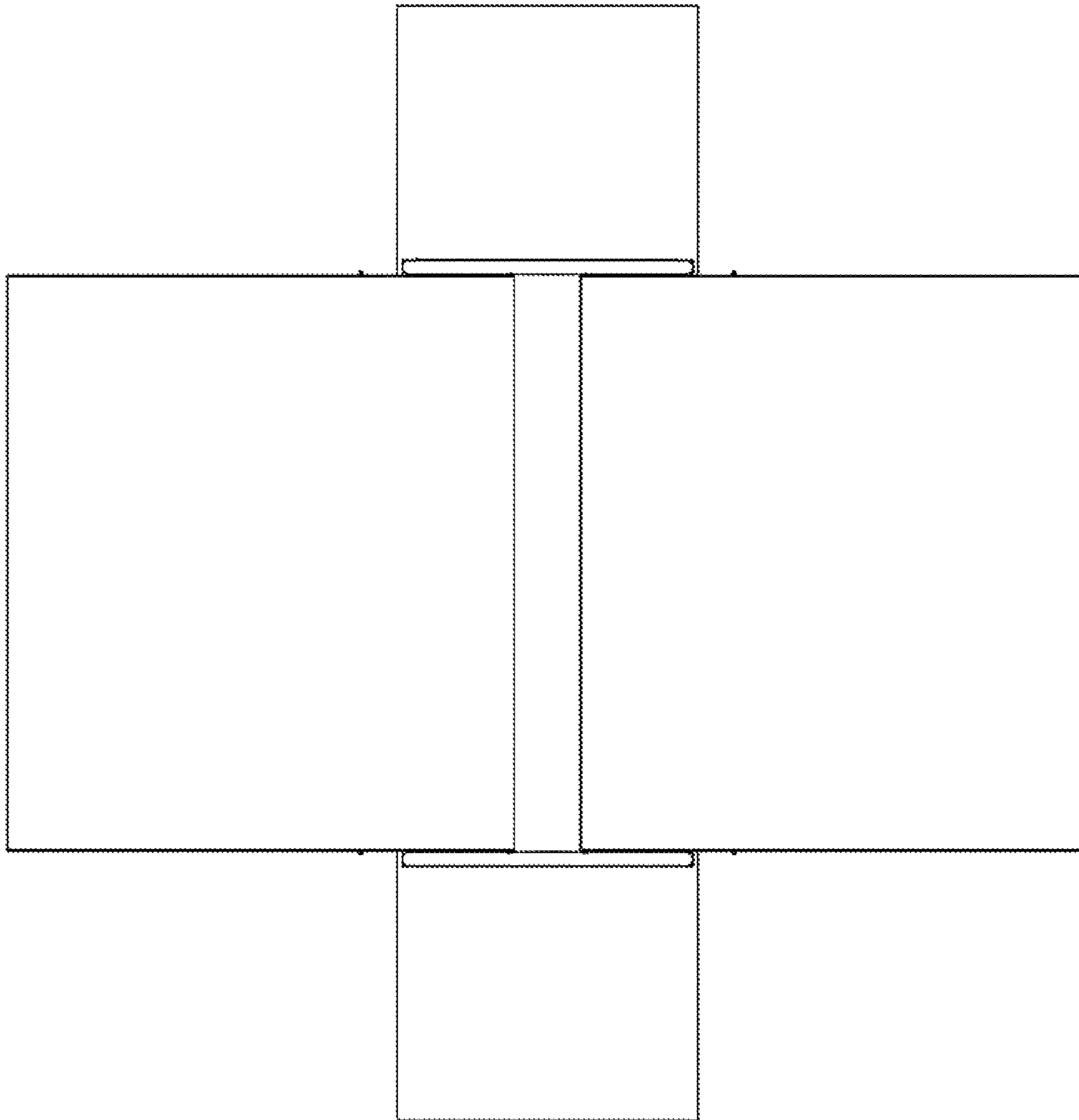
FIG 3



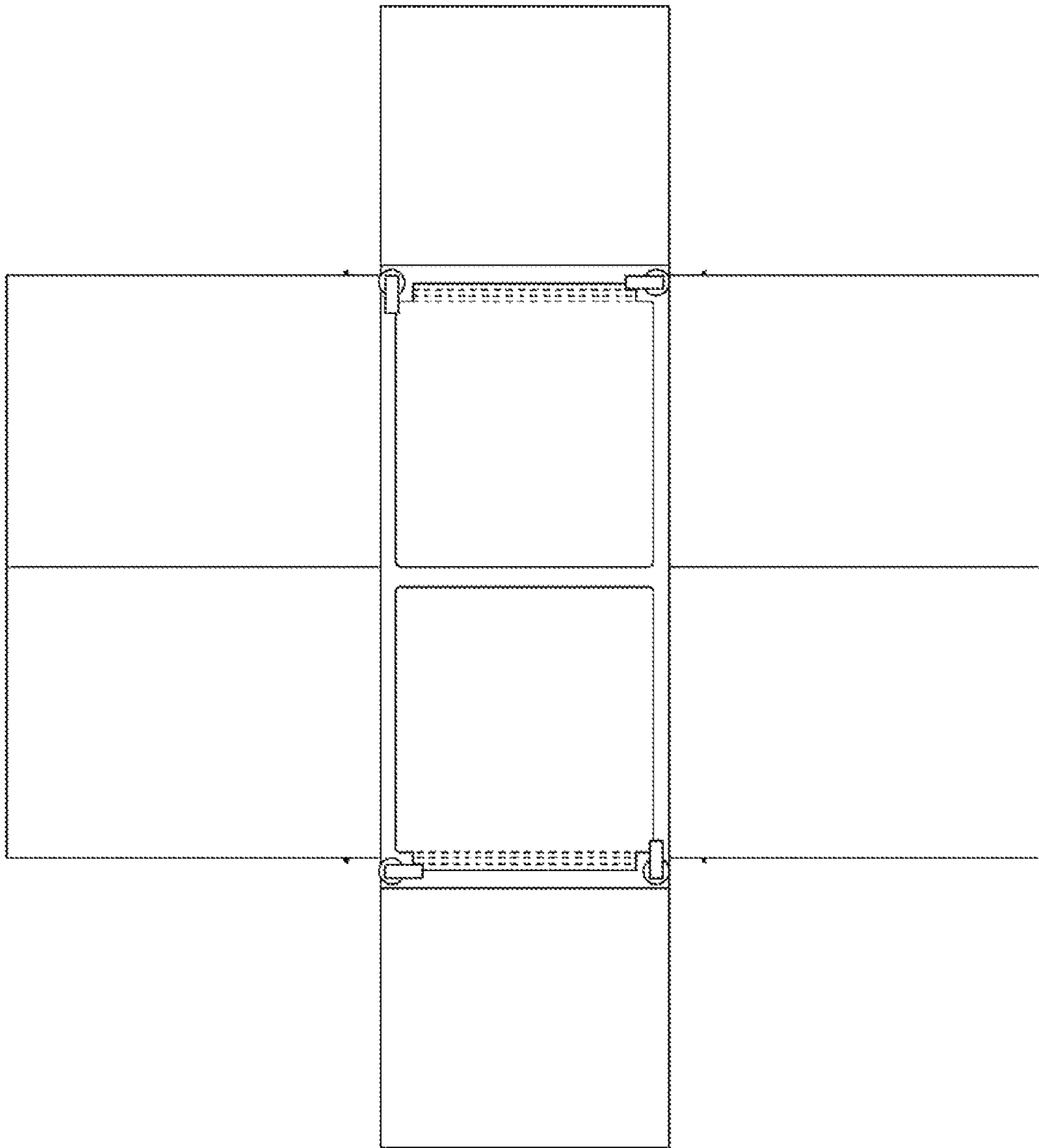
**FIG 4**



**FIG 5**



**FIG 6**



**FIG 7**



UNITED STATES PATENT AND TRADEMARK OFFICE  
**CERTIFICATE OF CORRECTION**

PATENT NO. : D626,352 S  
APPLICATION NO. : 29/311977  
DATED : November 2, 2010  
INVENTOR(S) : Gerard François Haudot

Page 1 of 9

It is certified that error appears in the above-identified patent and that said Letters Patent is hereby corrected as shown below:

The title page showing the illustrative figure should be deleted to be replaced with the attached title page.

The drawing sheets, consisting of Figs. 1-7, should be deleted to be replaced with the drawing sheets, consisting of Figs. 1-7, as shown on the attached pages.

Signed and Sealed this  
Fifteenth Day of March, 2011

A handwritten signature in black ink that reads "David J. Kappos". The signature is written in a cursive style with a large initial "D" and "K".

David J. Kappos  
*Director of the United States Patent and Trademark Office*

(12) **United States Design Patent**  
**Haudot**

(10) **Patent No.:** **US D626,352 S**  
(45) **Date of Patent:** **\*\* Nov. 2, 2010**

(54) **KIOSK**

(76) **Inventor:** **Gerard François Haudot**, No. 259/264  
Sukhumvit 71, Soi Pridi, Banomyong 13,  
Phibun Wet, Prakanong, Klongtun,  
Bangkok (TH) 10110

(\*\*) **Term:** **14 Years**

(21) **Appl. No.:** **29/311,977**

(22) **Filed:** **Aug. 12, 2009**

(30) **Foreign Application Priority Data**

Feb. 13, 2009 (TH) ..... 0902000381

(51) **LOC (9) Cl.** ..... **06-04**

(52) **U.S. Cl.** ..... **D6/396**

(58) **Field of Classification Search** ..... D6/462,  
D6/464, 455, 457, 332, 449, 465, 477, 479,  
D6/396, 474, 409-415, 397, 400; 211/194,  
211/169, 188, 134, 153, 85.24, 96, 168, 186,  
211/187, 204, 206; D32/35, 37, 66; 280/47.35,  
280/79.3; D15/141; 312/237; 108/107  
See application file for complete search history.

(56) **References Cited**

**U.S. PATENT DOCUMENTS**

D170,329 S \* 9/1953 Miller ..... D15/141  
2,904,383 A \* 9/1959 Potts ..... 312/237

5,865,517 A \* 2/1999 Wang ..... 312/237  
D415,365 S \* 10/1999 Nicklas ..... D6/400  
D459,044 S \* 6/2002 Felsenthal ..... D32/66  
6,604,473 B2 \* 8/2003 Felsenthal ..... 108/107  
D597,765 S \* 8/2009 Weigand et al. .... D6/462

\* cited by examiner

*Primary Examiner*—Susan M Lee

*Assistant Examiner*—Sydney R Buffalow

(74) *Attorney, Agent, or Firm* The Nath Law Group; Jerald  
L. Moyer; Jiaxiao Zhang

(57) **CLAIM**

The ornamental design for a kiosk, as shown and described.

**DESCRIPTION**

FIG. 1 is a perspective view of a kiosk;

FIG. 2 is a front view of the kiosk;

FIG. 3 is a back view of the kiosk;

FIG. 4 is a right side view of the kiosk;

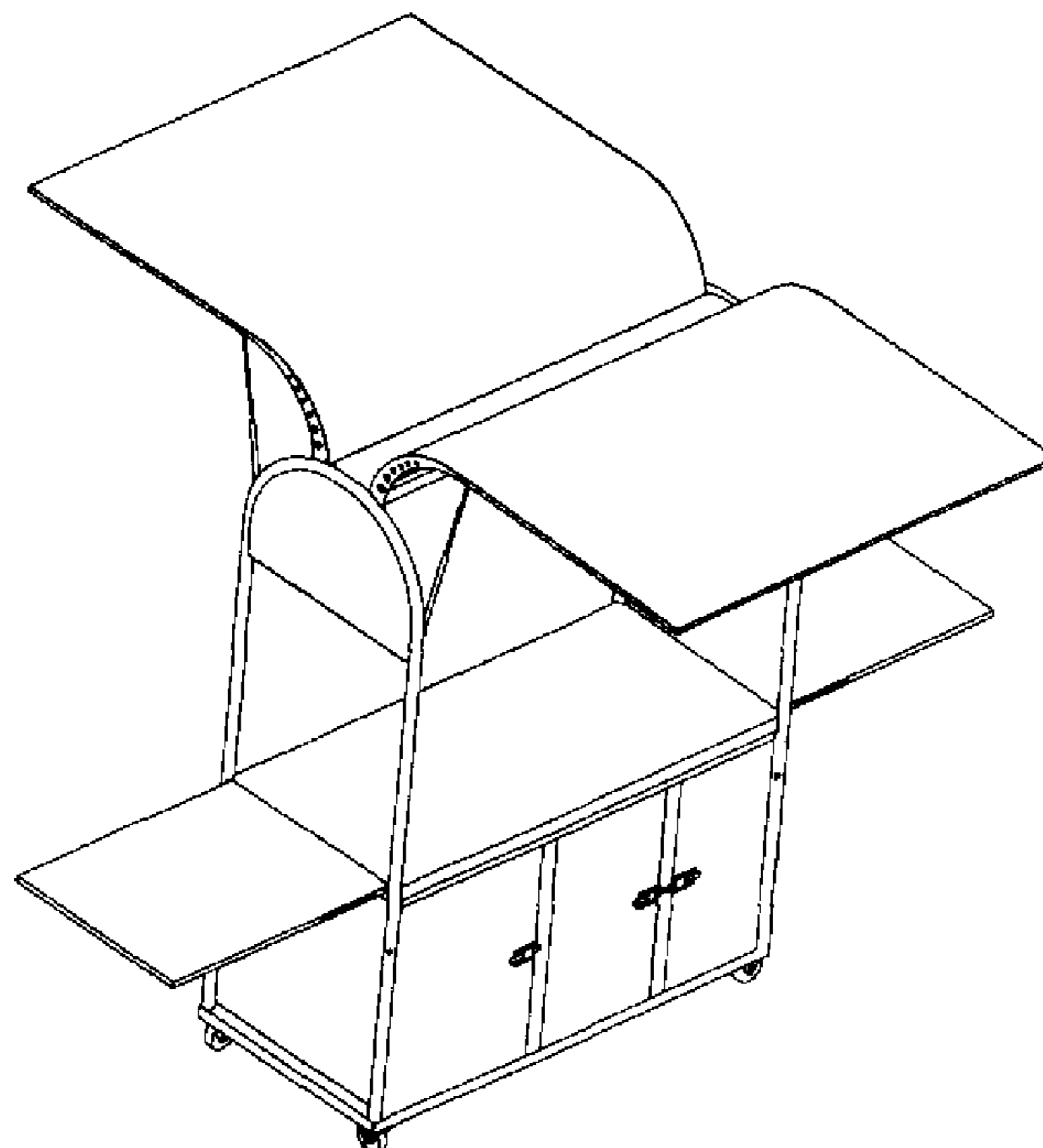
FIG. 5 is a left view of the kiosk;

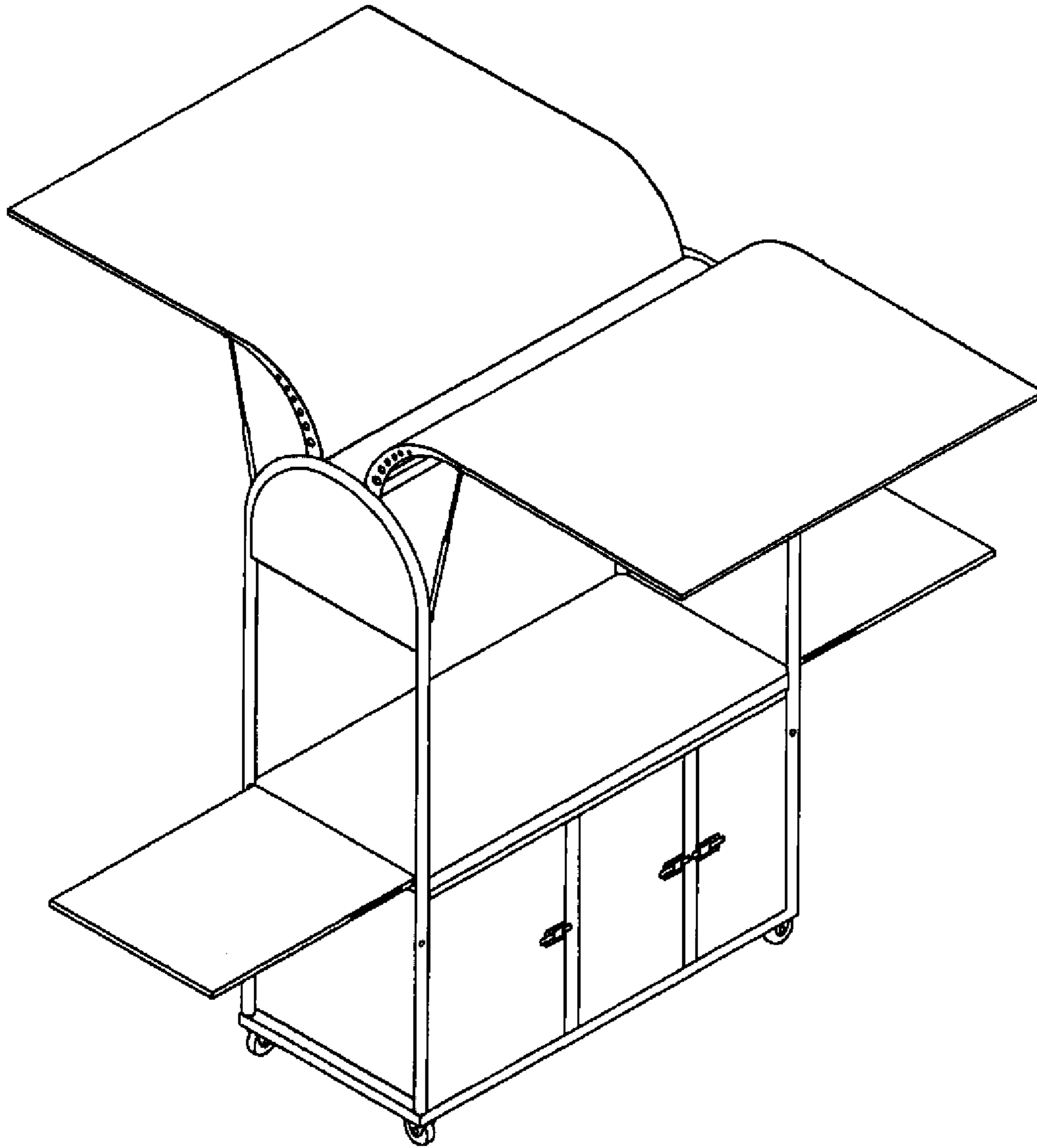
FIG. 6 is a top view of the kiosk; and,

FIG. 7 is a bottom view of the kiosk.

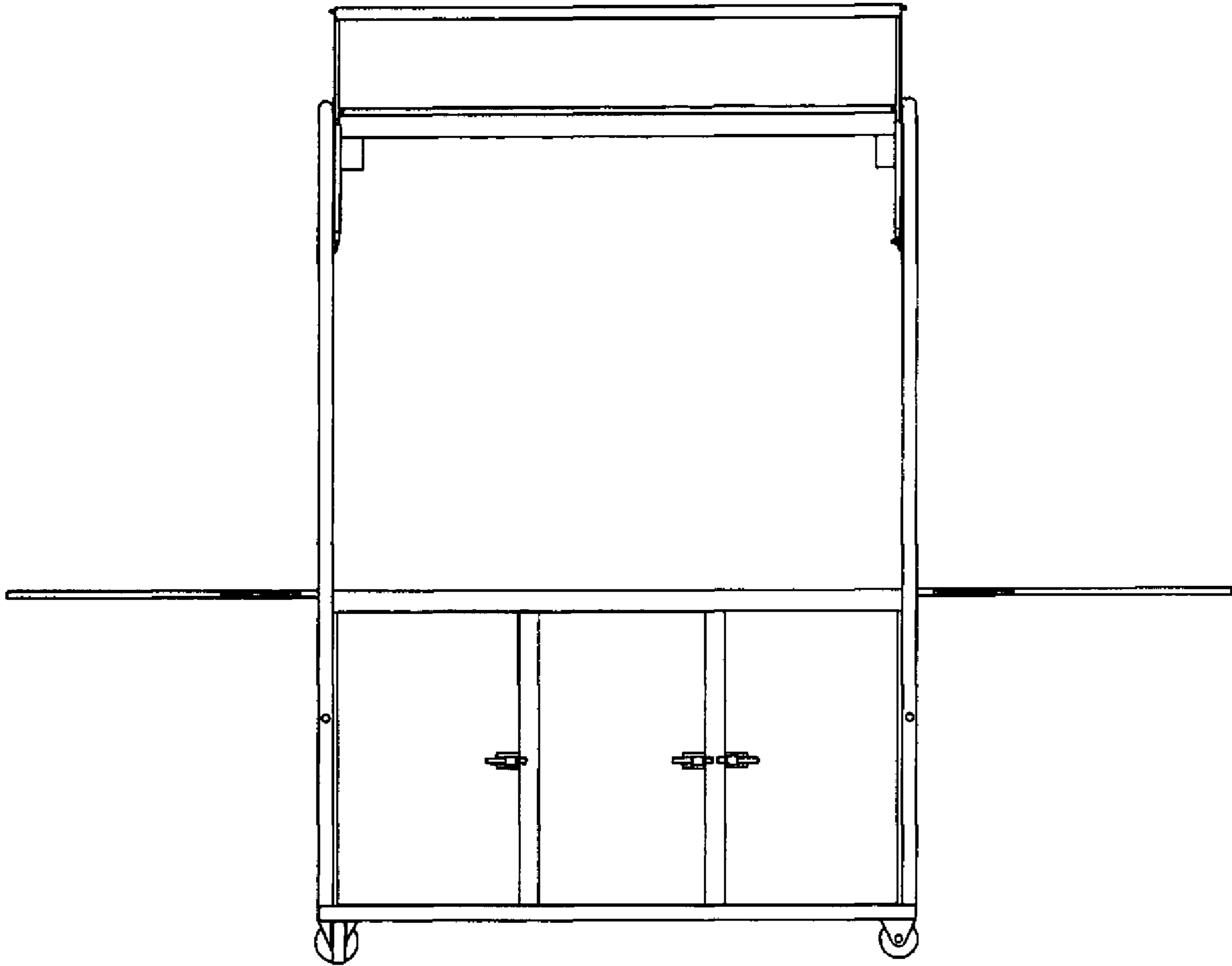
The broken line showing of features of the kiosk are included for the purpose of illustrating environment and form no part of the claimed design.

**1 Claim, 7 Drawing Sheets**

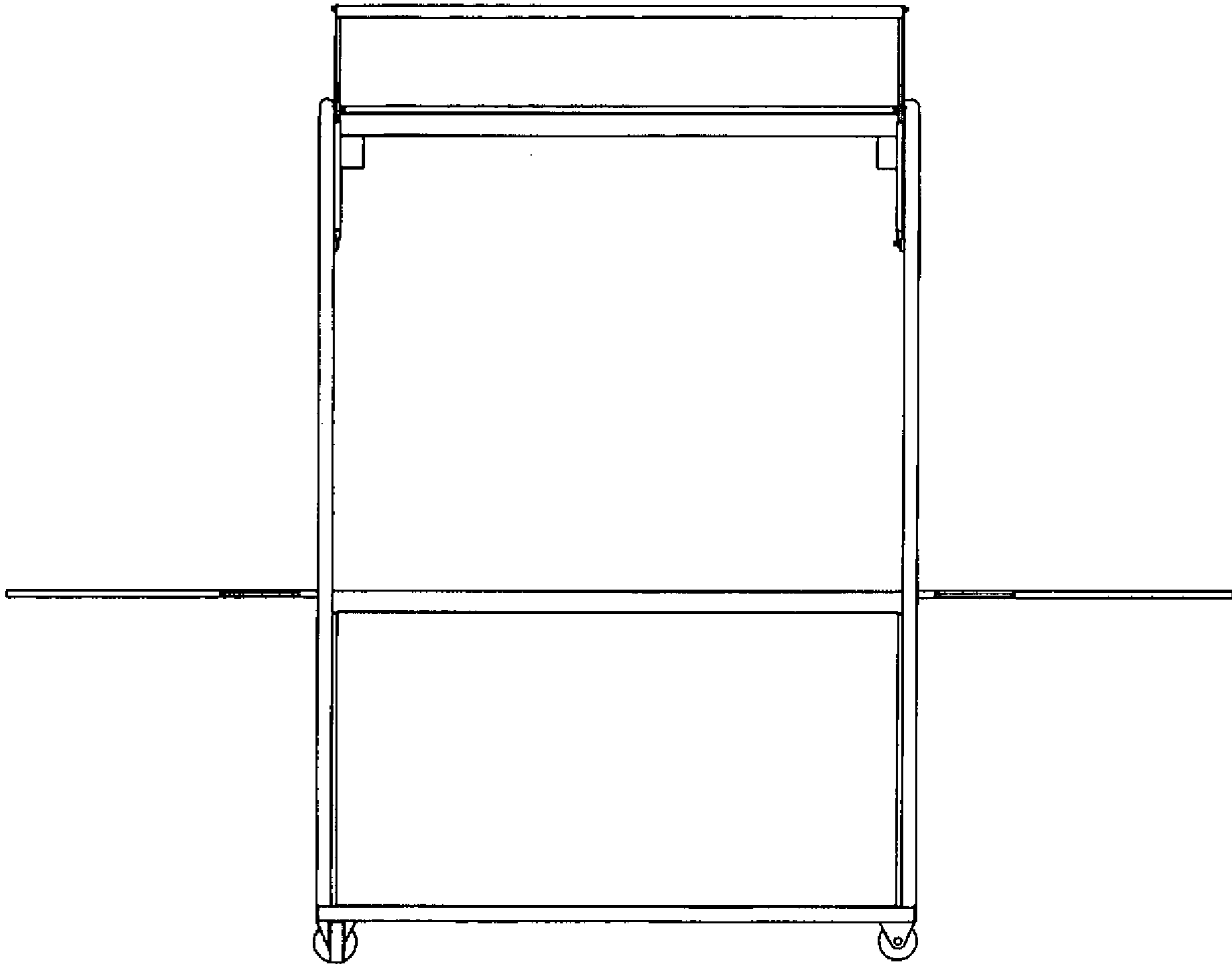




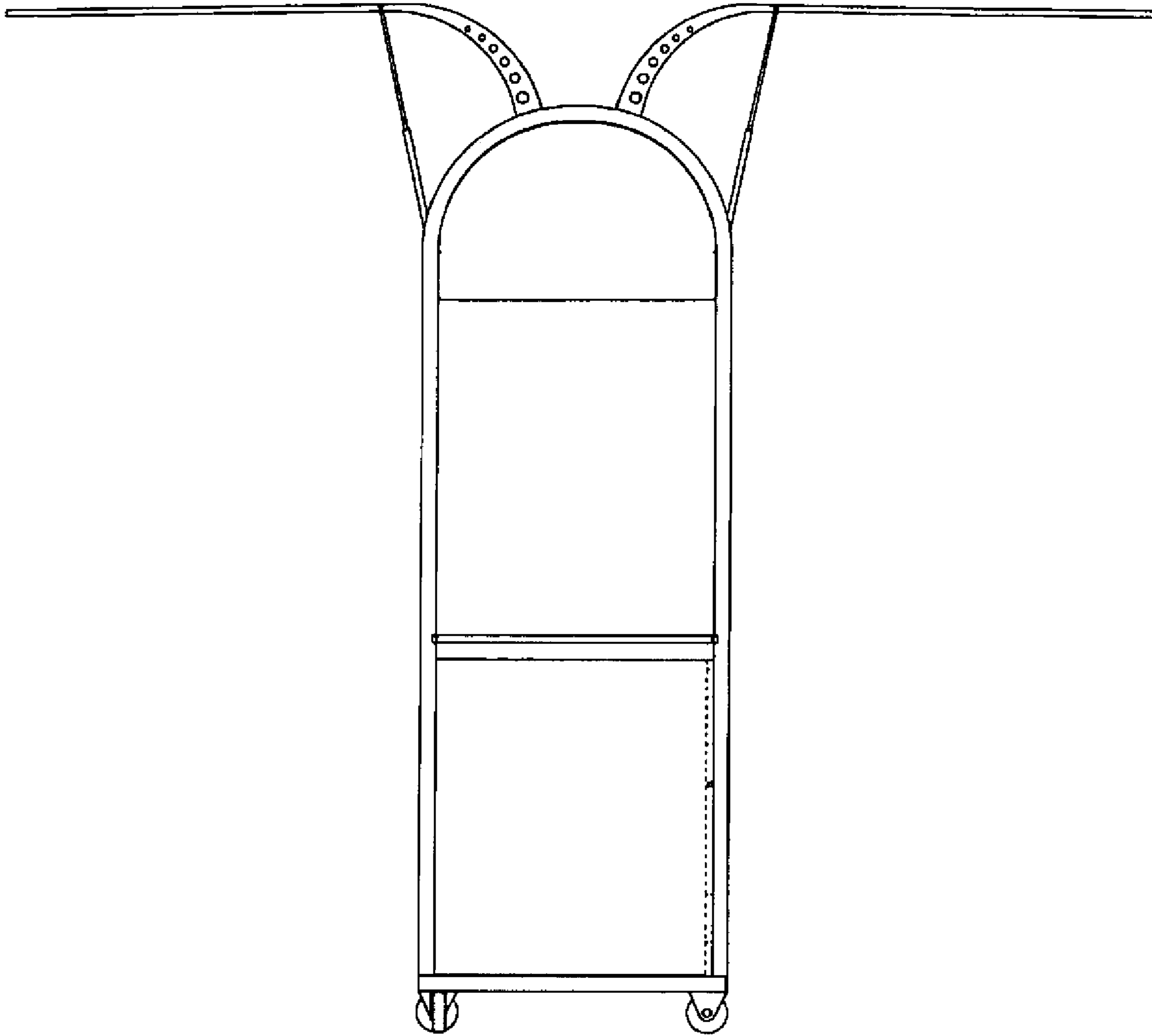
**FIG 1**



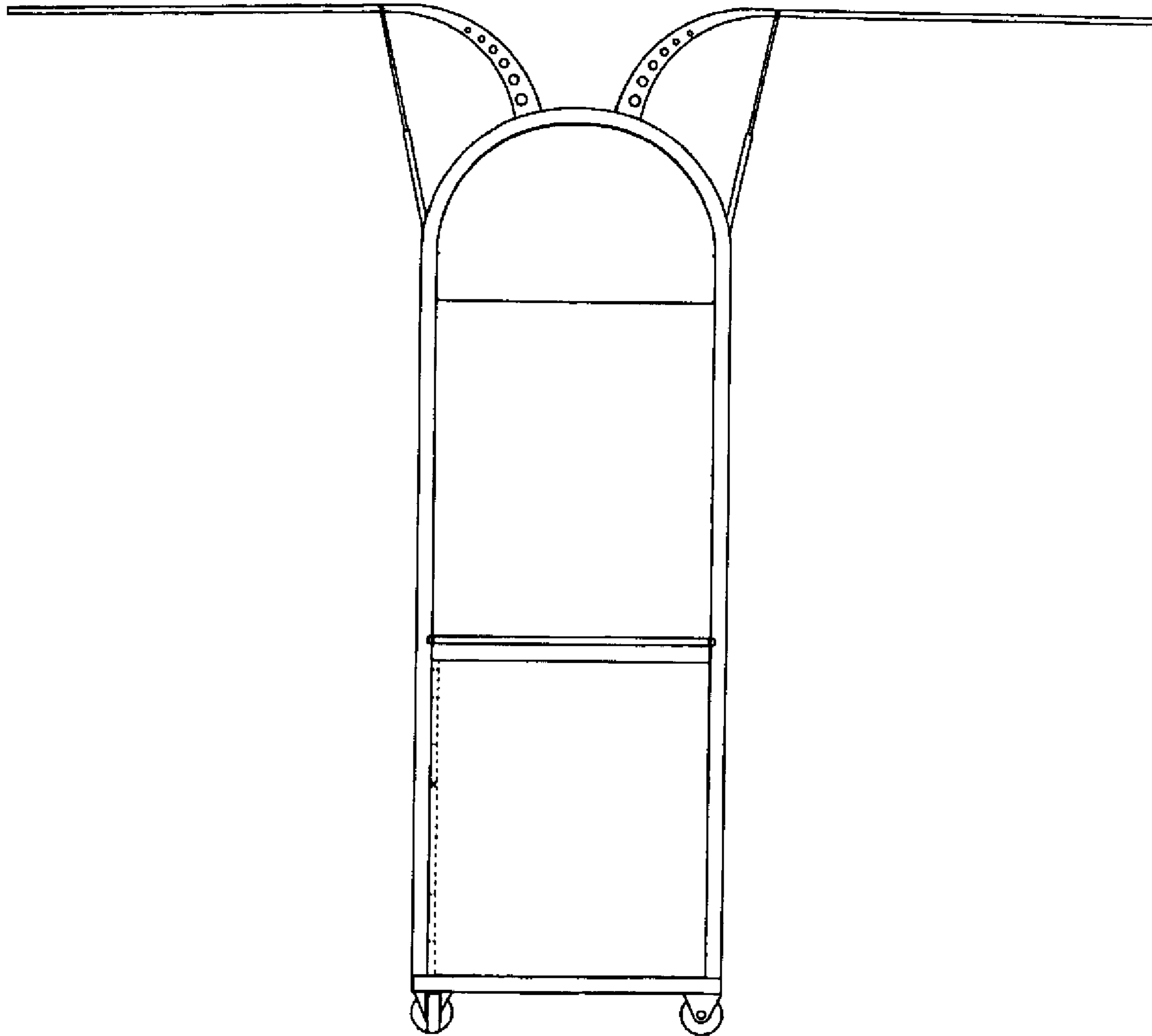
**FIG 2**



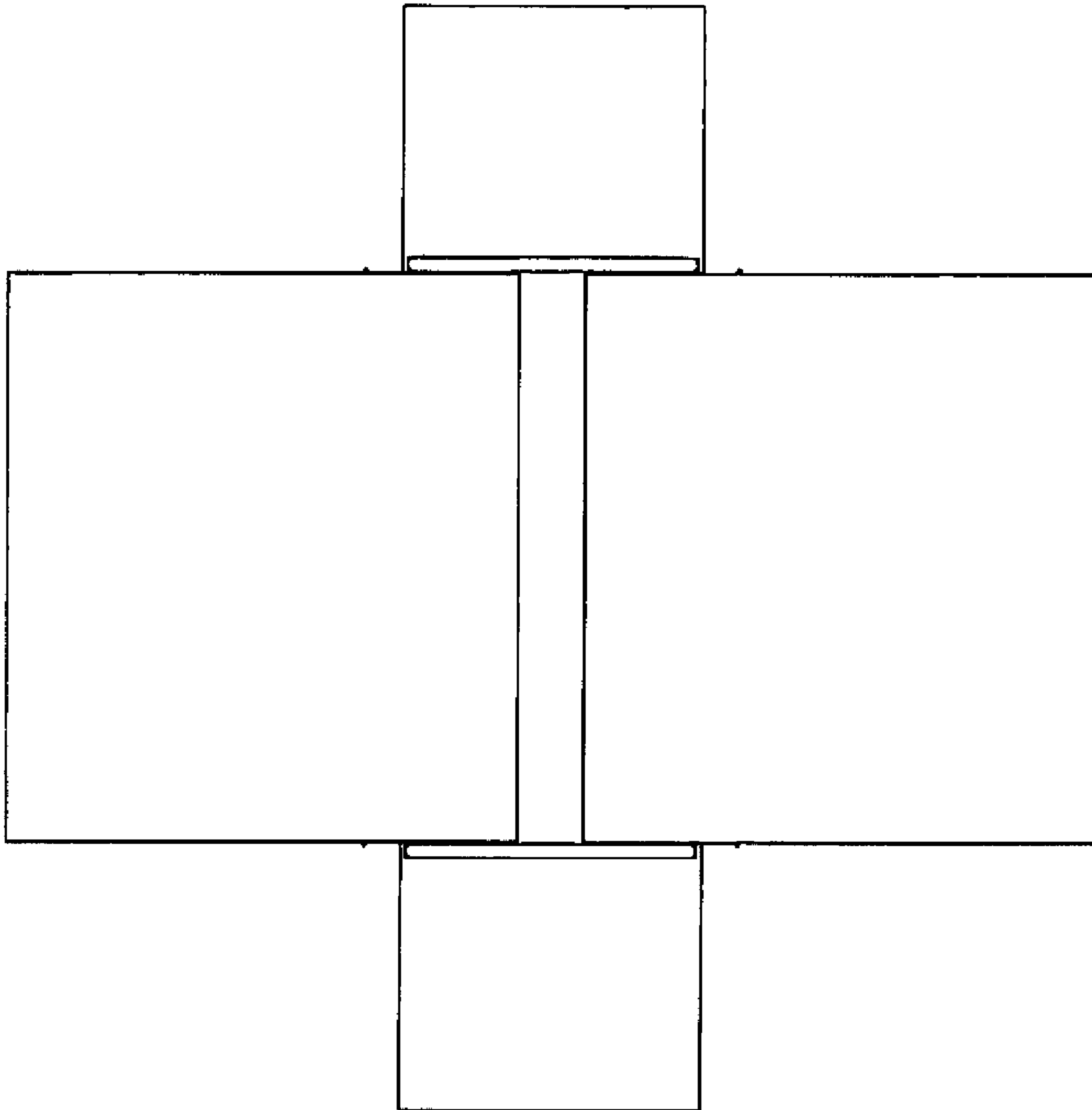
**FIG 3**



**FIG 4**

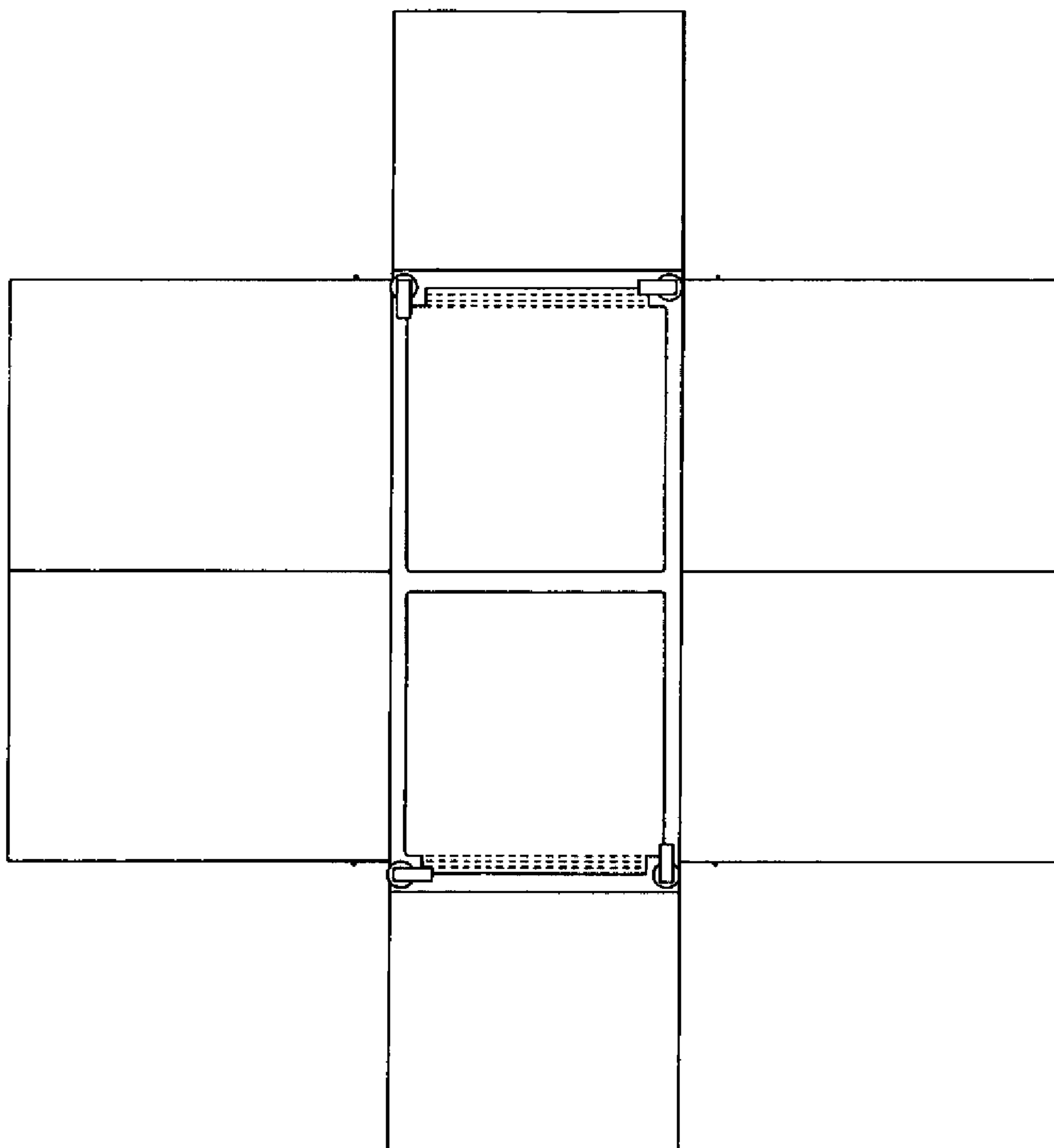


**FIG 5**



**FIG 6**





**FIG 7**