



US00D626347S

(12) **United States Design Patent**
Martinez

(10) **Patent No.:** **US D626,347 S**

(45) **Date of Patent:** **** Nov. 2, 2010**

(54) **HIGH CHAIR WITH POLICE STATION
MOTIF**

(76) Inventor: **Gabriela C. Martinez**, 2343 Dewey
Point, San Antonio, TX (US) 78251

(**) Term: **14 Years**

(21) Appl. No.: **29/363,810**

(22) Filed: **Jun. 15, 2010**

(51) **LOC (9) Cl.** **06-01**

(52) **U.S. Cl.** **D6/339**

(58) **Field of Classification Search** D6/333-335,
D6/338-339, 491, 500-502; D12/129; D21/412,
D21/419; 280/30, 31; 5/94, 98.1, 99.1, 101,
5/102, 105, 655; 297/183.1-183.4, 184.13,
297/184.15, 184.17, 250.1, 255, 256.1, 256.15,
297/256.16, 174 R, 170-173, 17 CS
See application file for complete search history.

(56) **References Cited**

U.S. PATENT DOCUMENTS

D139,241 S	10/1944	Wright	
3,330,597 A	7/1967	Lay et al.	
D327,180 S	6/1992	Fonville	
D328,196 S *	7/1992	Takahashi et al.	D6/339
D357,128 S	4/1995	Watson et al.	
D361,213 S *	8/1995	Tokutake et al.	D6/339
D364,968 S	12/1995	Chien	
D368,593 S	4/1996	Cone, II	
D373,029 S	8/1996	Mariol et al.	
D386,911 S *	12/1997	Perego	D6/339
5,810,432 A	9/1998	Haut et al.	
D426,965 S *	6/2000	Wu	D6/339

D428,715 S *	8/2000	Brevi	D6/339
D439,061 S *	3/2001	Donaldson	D6/339
D477,719 S	7/2003	Chaudeurge	
D483,958 S	12/2003	Chen	
D493,624 S *	8/2004	Chen	D6/339
D543,712 S *	6/2007	Cheng	D6/339
D563,684 S *	3/2008	Starck	D6/333
D575,538 S *	8/2008	Tomasi	D6/339
D618,001 S *	6/2010	Bearup et al.	D6/339
D619,382 S *	7/2010	Chen et al.	D6/339
D619,818 S *	7/2010	Bergkvist	D6/339

* cited by examiner

Primary Examiner—Caron Veynar

Assistant Examiner—Abraham Bahta

(74) *Attorney, Agent, or Firm*—Montgomery Patent and
Design; Joseph T. Yaksich; Robert C. Montgomery

(57) **CLAIM**

The ornamental design for a high chair with police station
motif, as shown and described.

DESCRIPTION

FIG. 1 is a front perspective view of a high chair with police
station motif, showing my new design;

FIG. 2 is a front view thereof;

FIG. 3 is a rear view thereof;

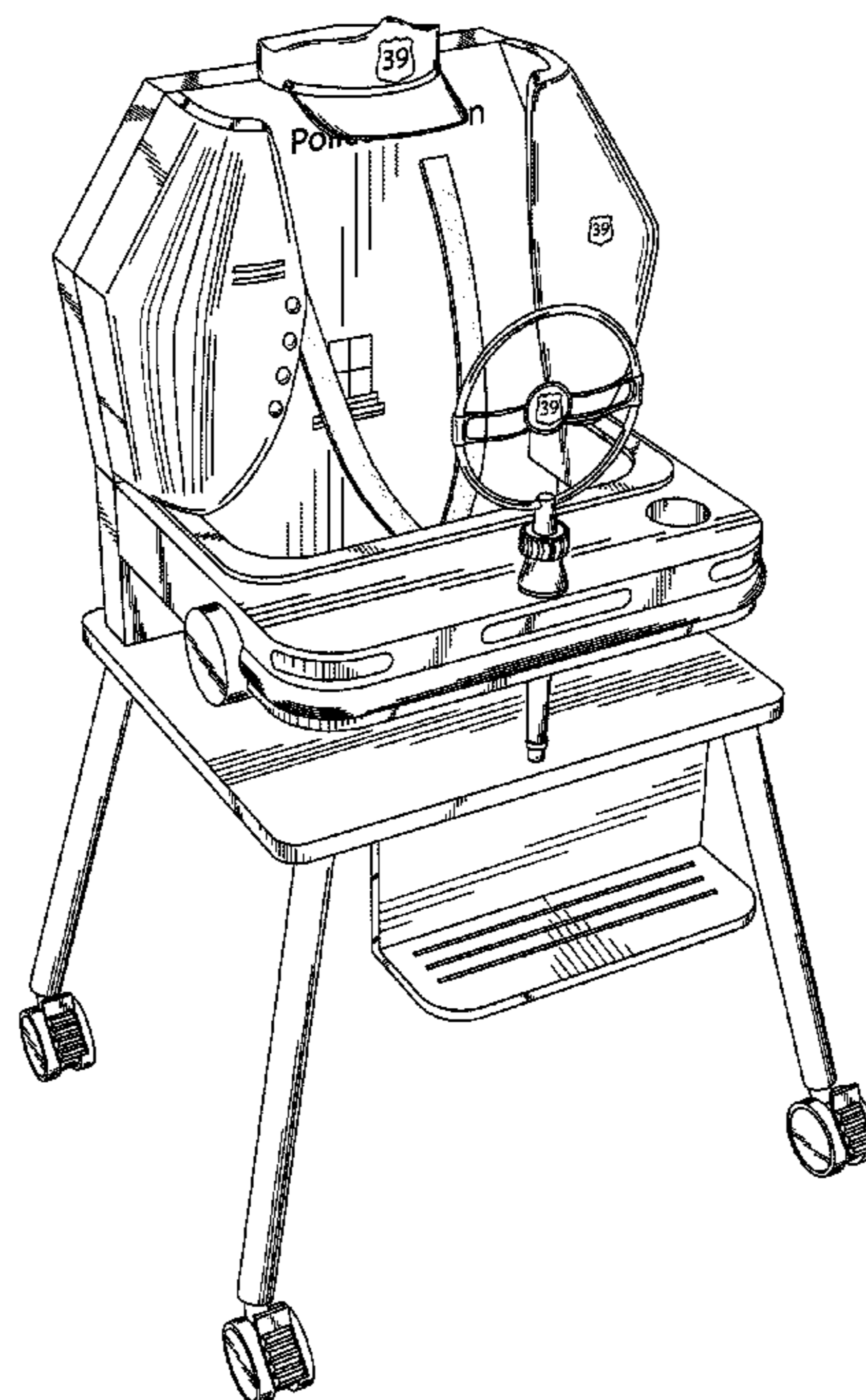
FIG. 4 is a left side view thereof;

FIG. 5 is a right side view thereof;

FIG. 6 is a top view thereof; and,

FIG. 7 is a bottom view thereof.

1 Claim, 7 Drawing Sheets



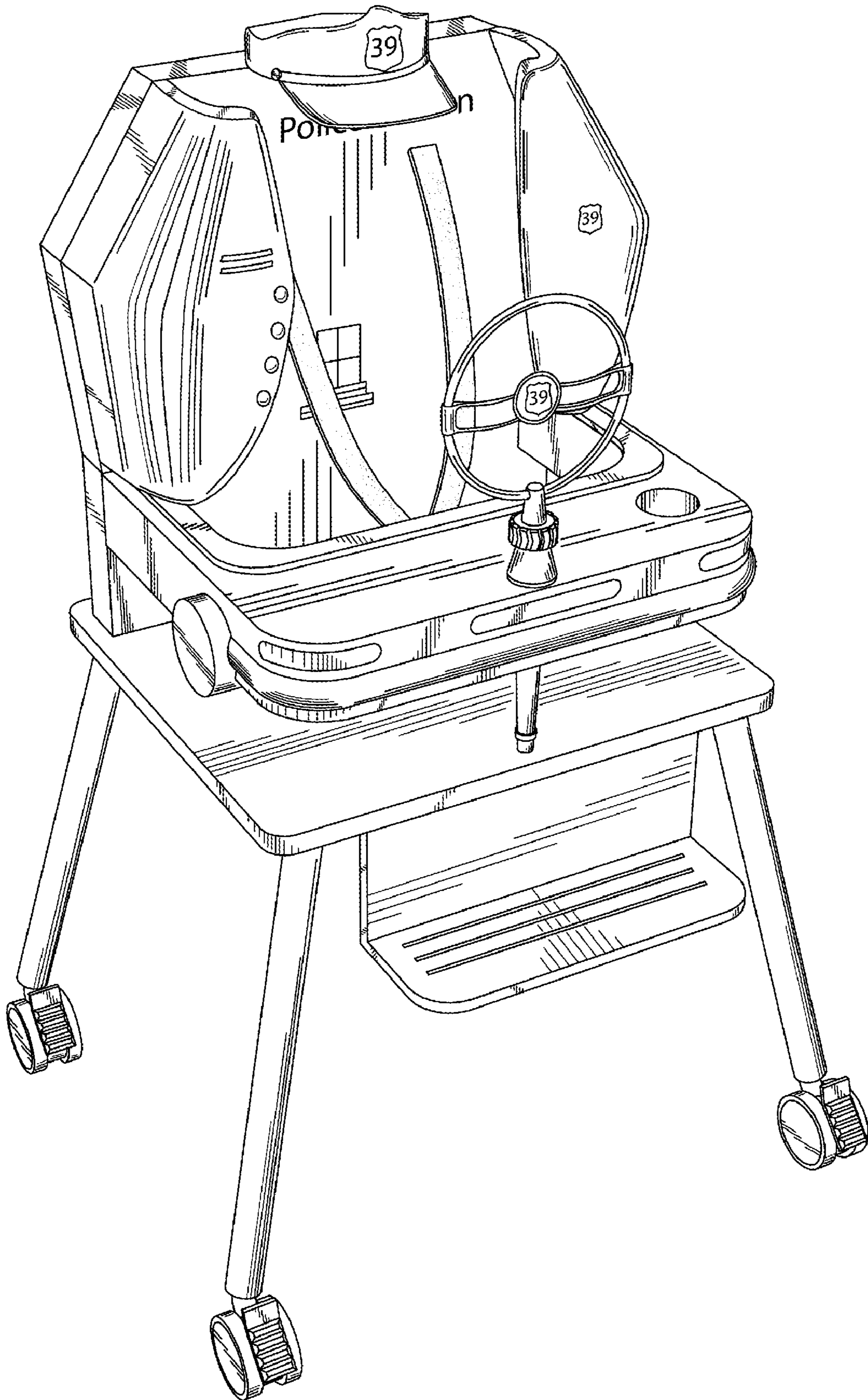


Fig. 1

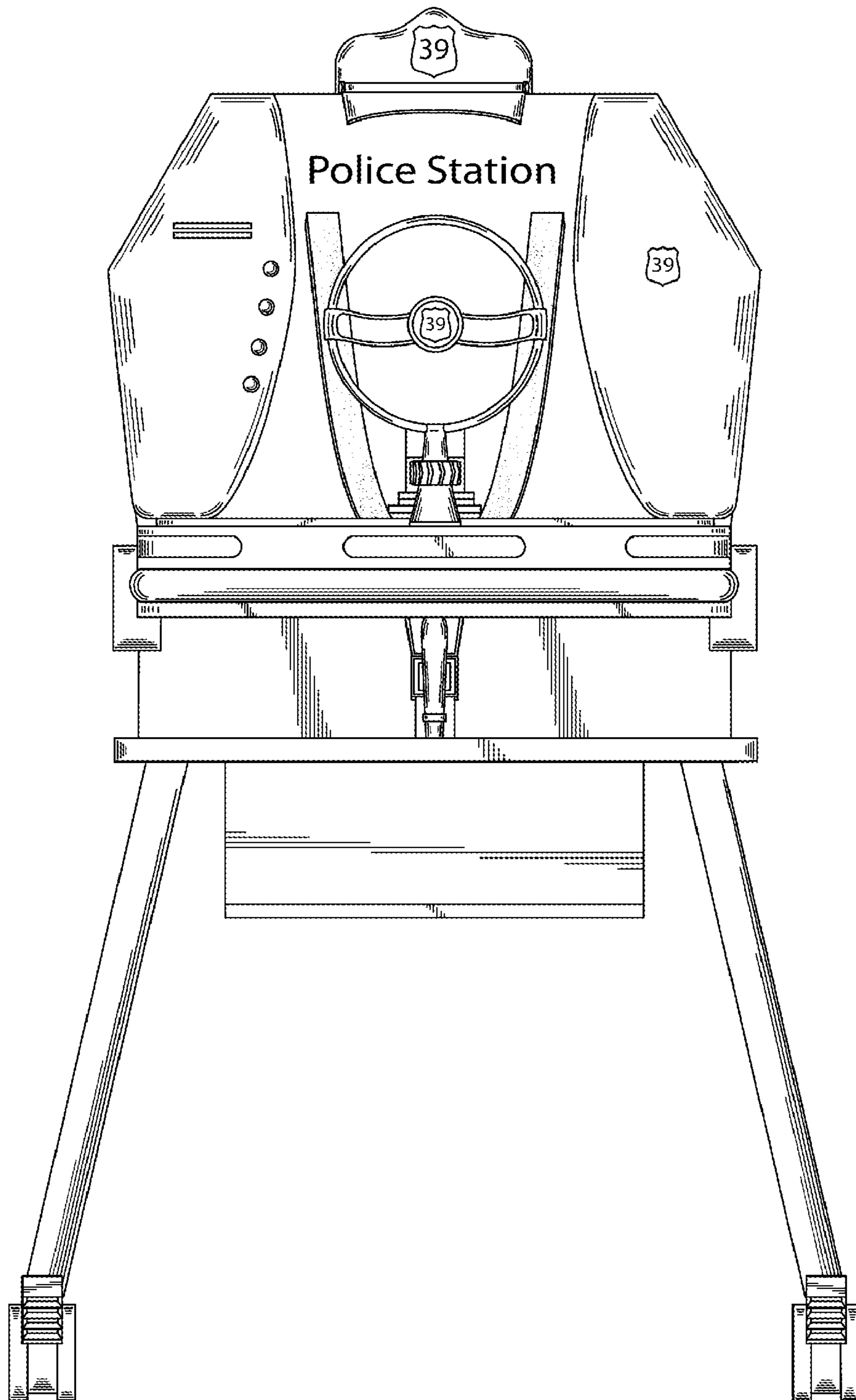


Fig. 2

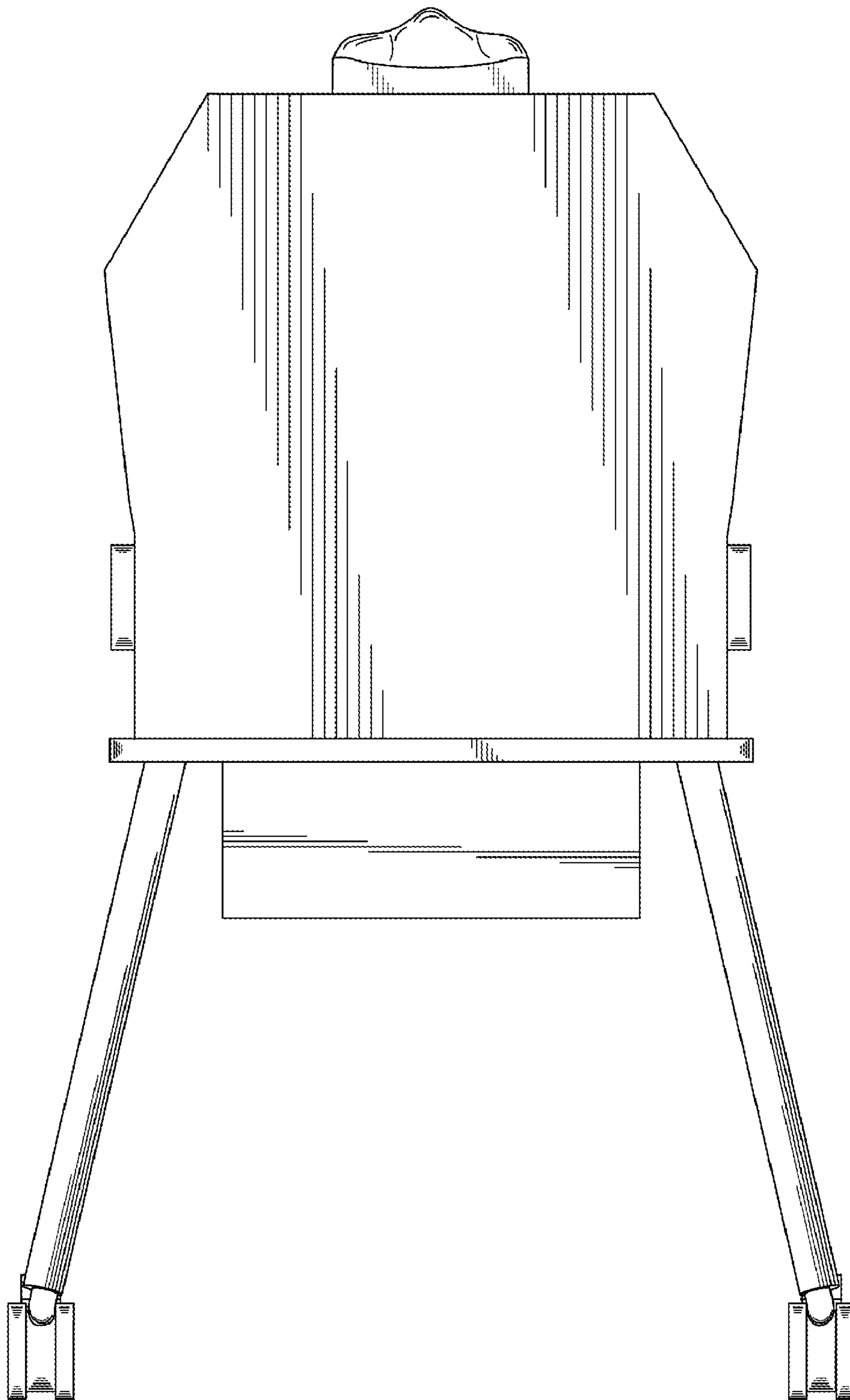


Fig. 3

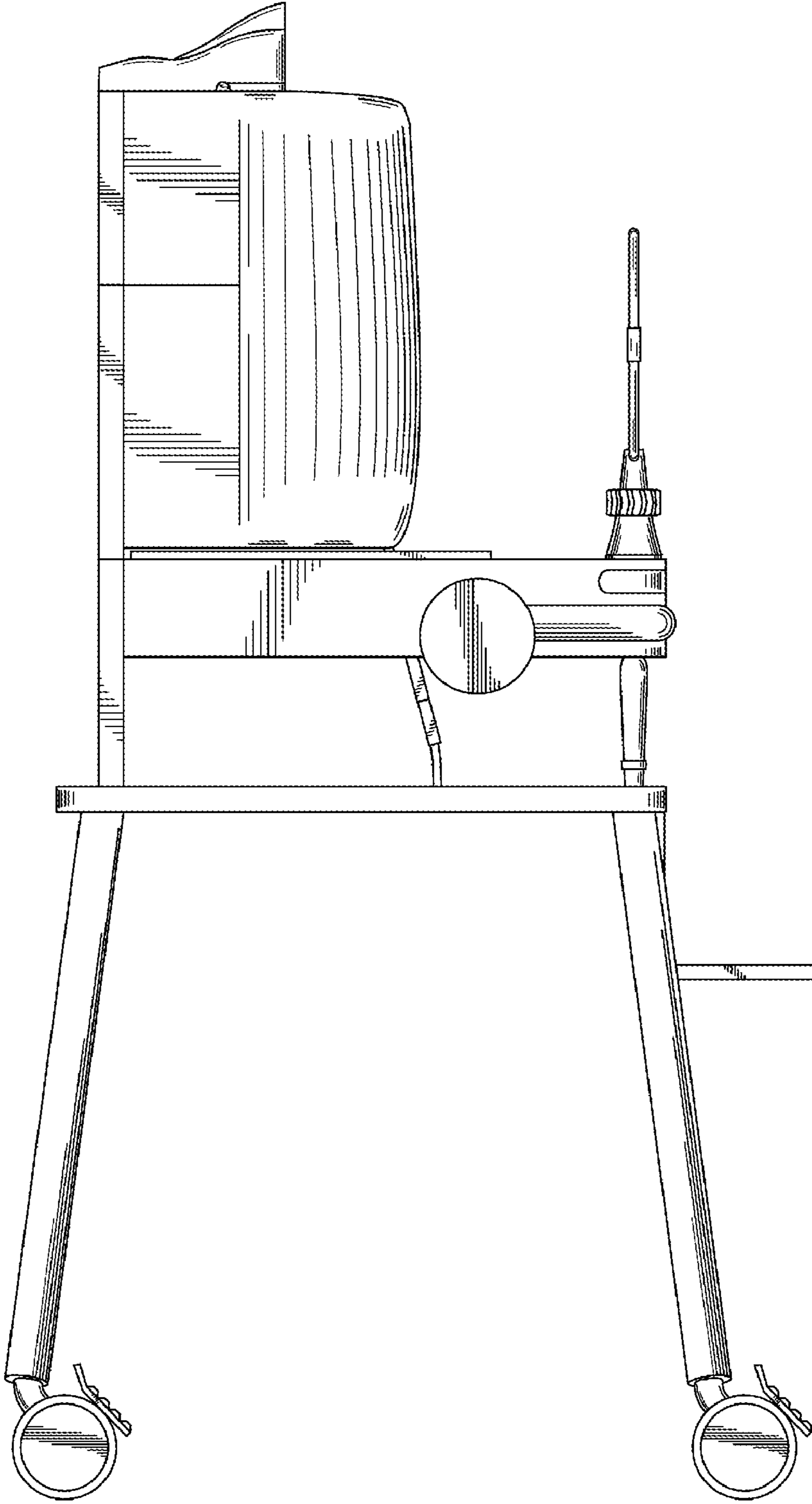


Fig. 4

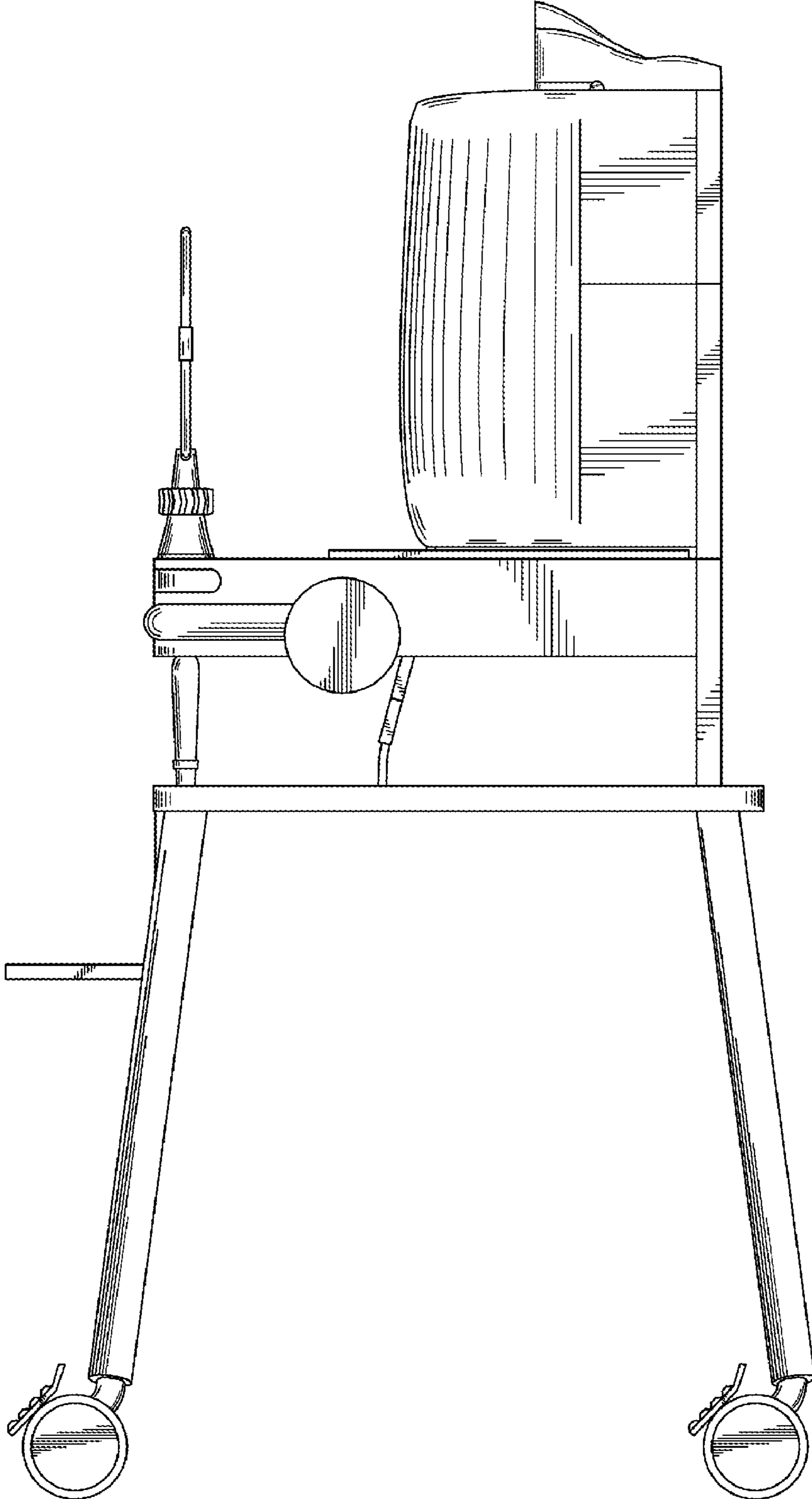


Fig. 5

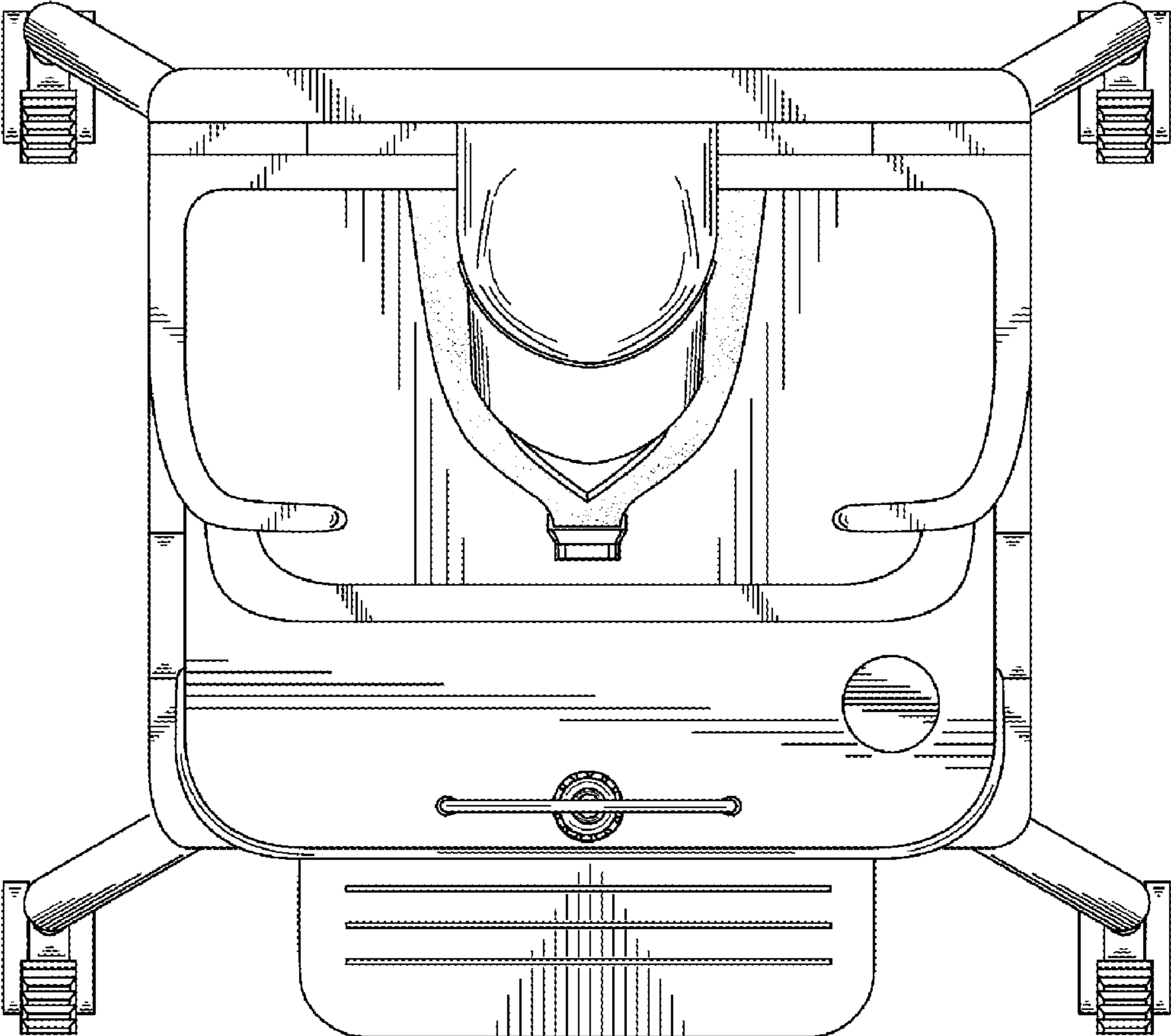


Fig. 6

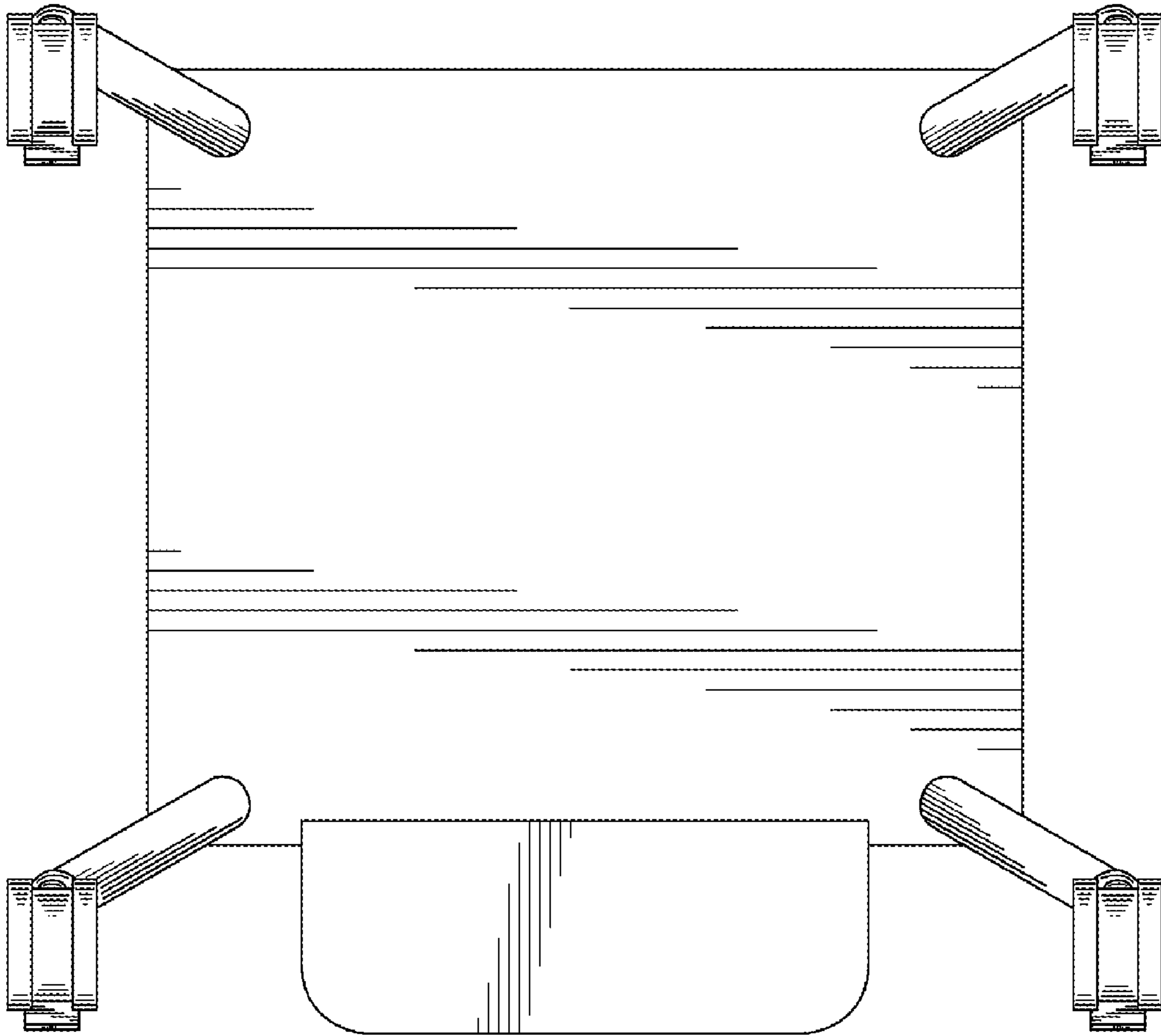


Fig. 7