



US00D626346S

(12) **United States Design Patent**  
**Martinez**

(10) **Patent No.:** **US D626,346 S**  
(45) **Date of Patent:** **\*\* Nov. 2, 2010**

(54) **HIGH CHAIR WITH FIRE STATION MOTIF**

(76) Inventor: **Gabriela C. Martinez**, 2343 Dewey Point, San Antonio, TX (US) 78251

(\*\*) Term: **14 Years**

(21) Appl. No.: **29/363,809**

(22) Filed: **Jun. 15, 2010**

(51) **LOC (9) Cl.** ..... **06-01**

(52) **U.S. Cl.** ..... **D6/339**

(58) **Field of Classification Search** ..... D6/333-335, D6/338-339, 491, 500-502; D12/129; D21/412, D21/419; 280/30, 31; 5/94, 98.1, 99.1, 101, 5/102, 105, 655; 297/183.1-183.4, 184.13, 297/250.1, 255, 256.15, 256.16, 174 R, 174 CS, 297/170-173

See application file for complete search history.

(56) **References Cited**

**U.S. PATENT DOCUMENTS**

D139,241 S	10/1944	Wright	
3,330,597 A	7/1967	Lay et al.	
D327,180 S	6/1992	Fonville	
D328,196 S *	7/1992	Takahashi et al.	D6/339
D357,128 S	4/1995	Watson et al.	
D361,213 S *	8/1995	Tokutake et al.	D6/339
D368,593 S	4/1996	Cone, II	
D386,911 S *	12/1997	Perego	D6/339
5,810,432 A	9/1998	Haut et al.	
D426,965 S *	6/2000	Wu	D6/339
D428,715 S *	8/2000	Brevi	D6/339
D439,061 S *	3/2001	Donaldson	D6/339
D475,659 S	6/2003	Diaz	

D477,719 S	7/2003	Chaudeurge	
D483,958 S	12/2003	Chen	
D493,624 S *	8/2004	Chen	D6/339
D543,712 S *	6/2007	Cheng	D6/339
D553,374 S	10/2007	Cordek	
D556,097 S	11/2007	Quinn	
D563,684 S *	3/2008	Starck	D6/333
D575,538 S *	8/2008	Tomasi	D6/339
D618,001 S *	6/2010	Bearup et al.	D6/339
D619,382 S *	7/2010	Chen et al.	D6/339
D619,818 S *	7/2010	Bergkvist	D6/339

\* cited by examiner

*Primary Examiner*—Caron Veynar

*Assistant Examiner*—Abraham Bahta

(74) *Attorney, Agent, or Firm*—Montgomery Patent and Design; Joseph T. Yaksich; Robert C. Montgomery

(57) **CLAIM**

The ornamental design for a high chair with fire station motif, as shown and described.

**DESCRIPTION**

FIG. 1 is a front perspective view of a high chair with fire station motif, showing my new design;

FIG. 2 is a front view thereof;

FIG. 3 is a rear view thereof;

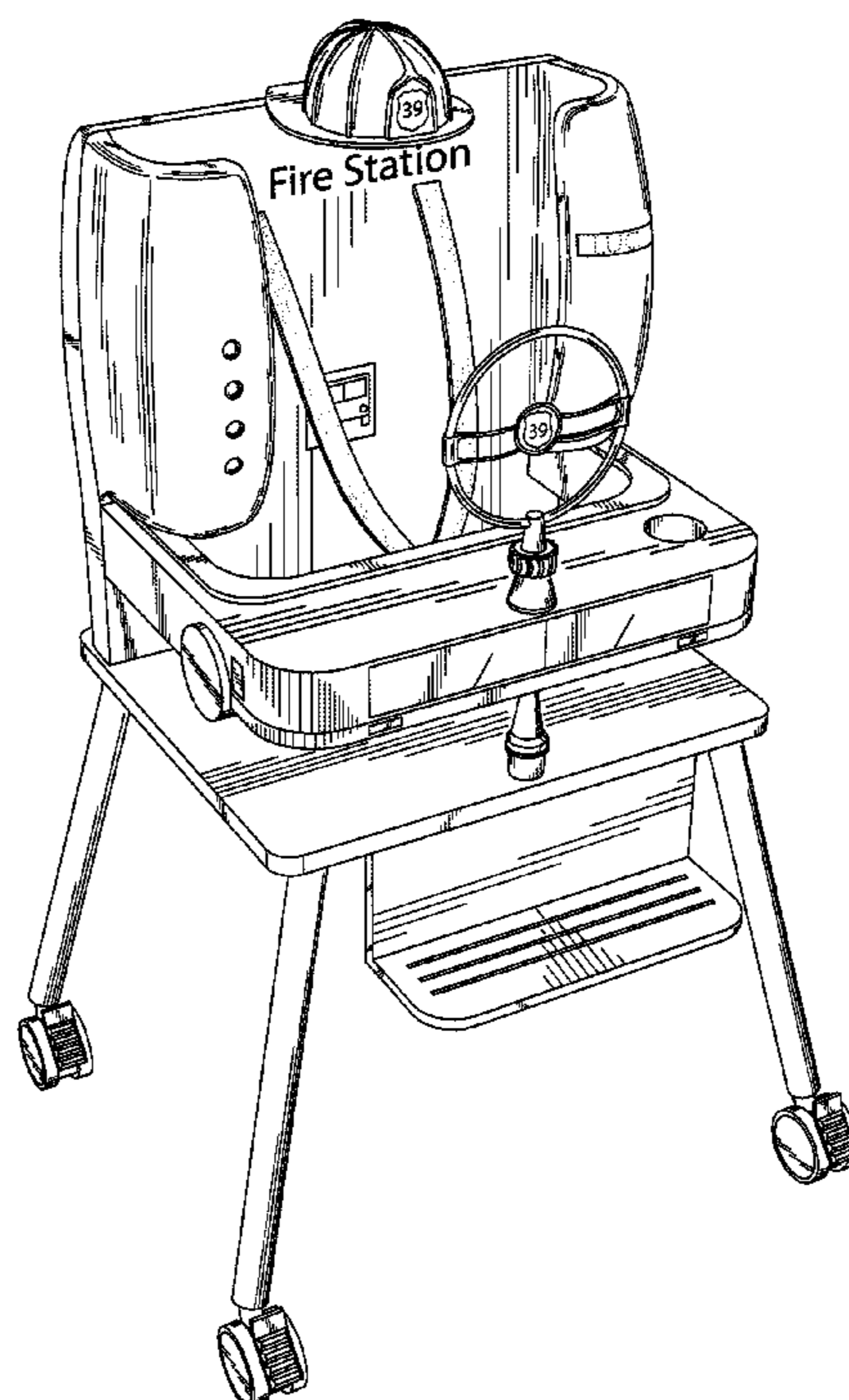
FIG. 4 is a left side view thereof;

FIG. 5 is a right side view thereof;

FIG. 6 is a top view thereof; and,

FIG. 7 is a bottom view thereof.

**1 Claim, 7 Drawing Sheets**



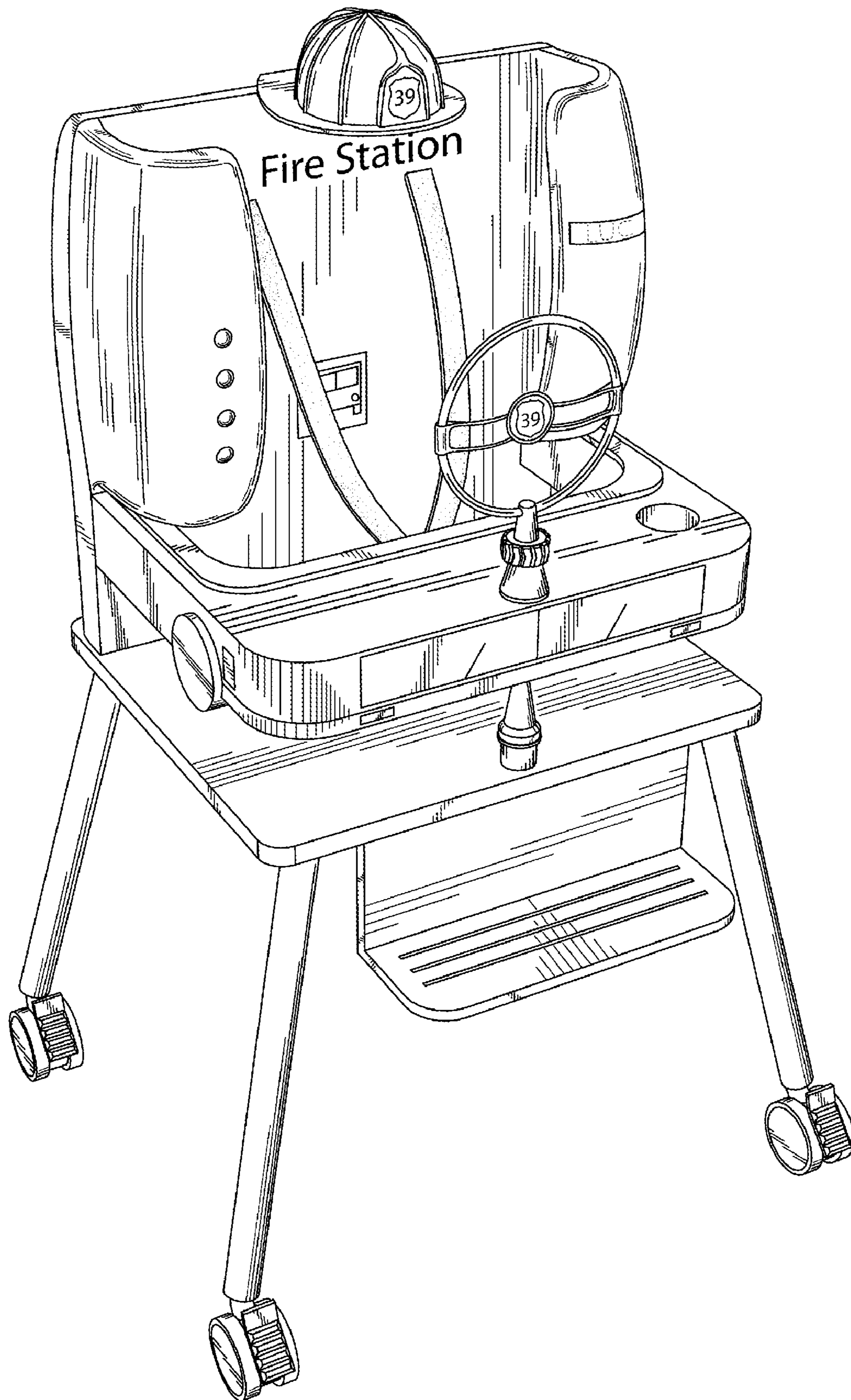


Fig. 1

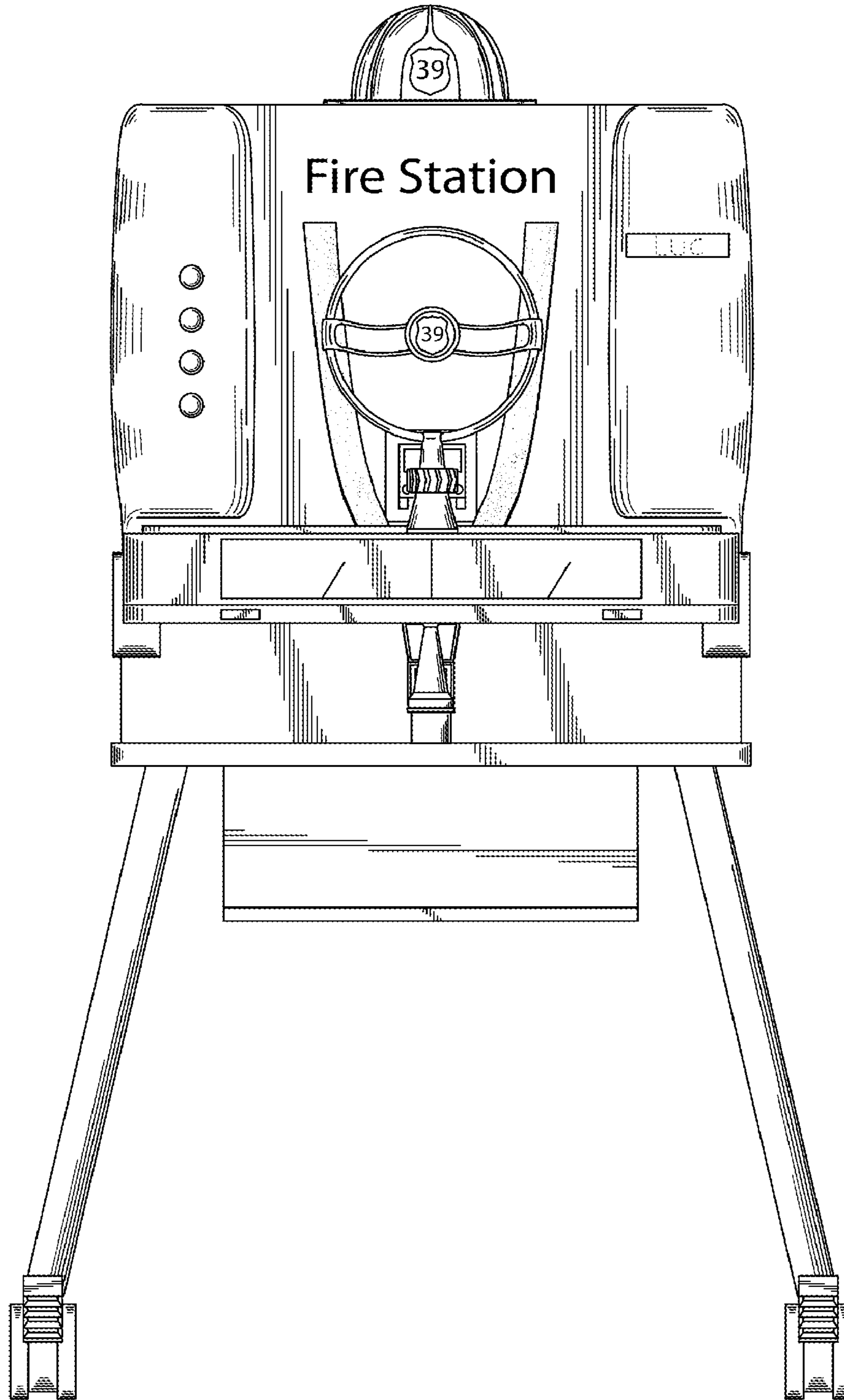


Fig. 2

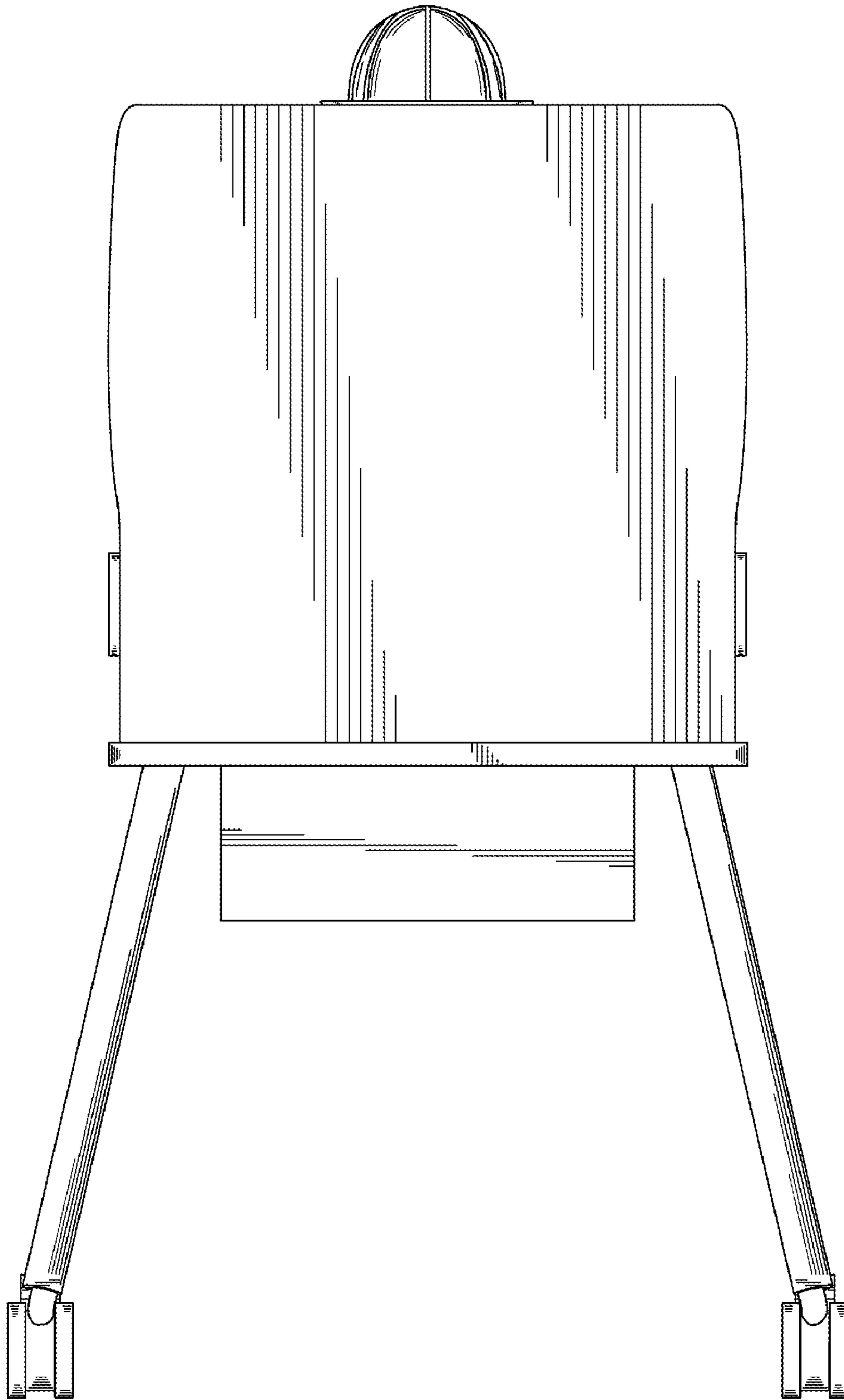


Fig. 3

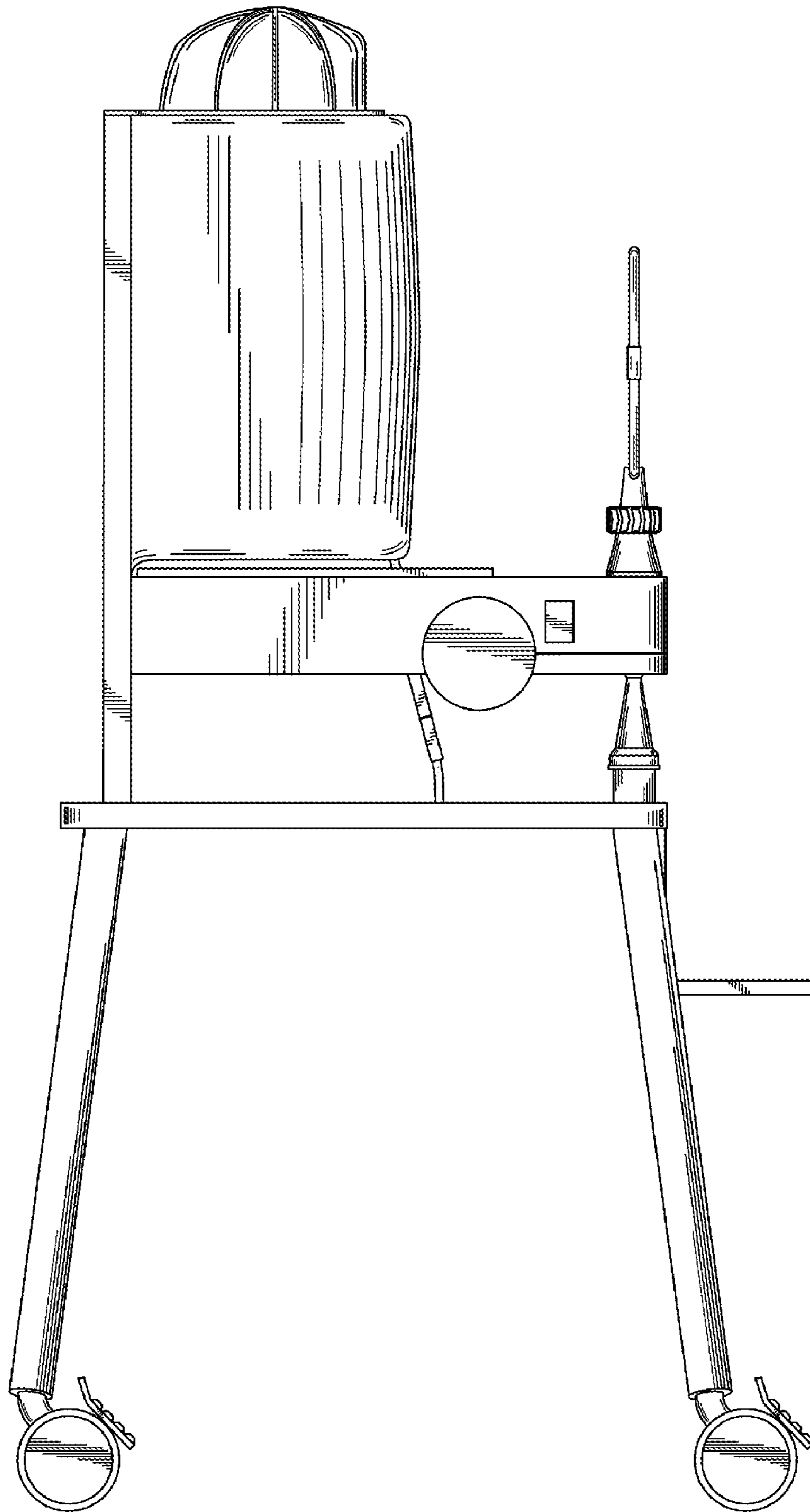


Fig. 4

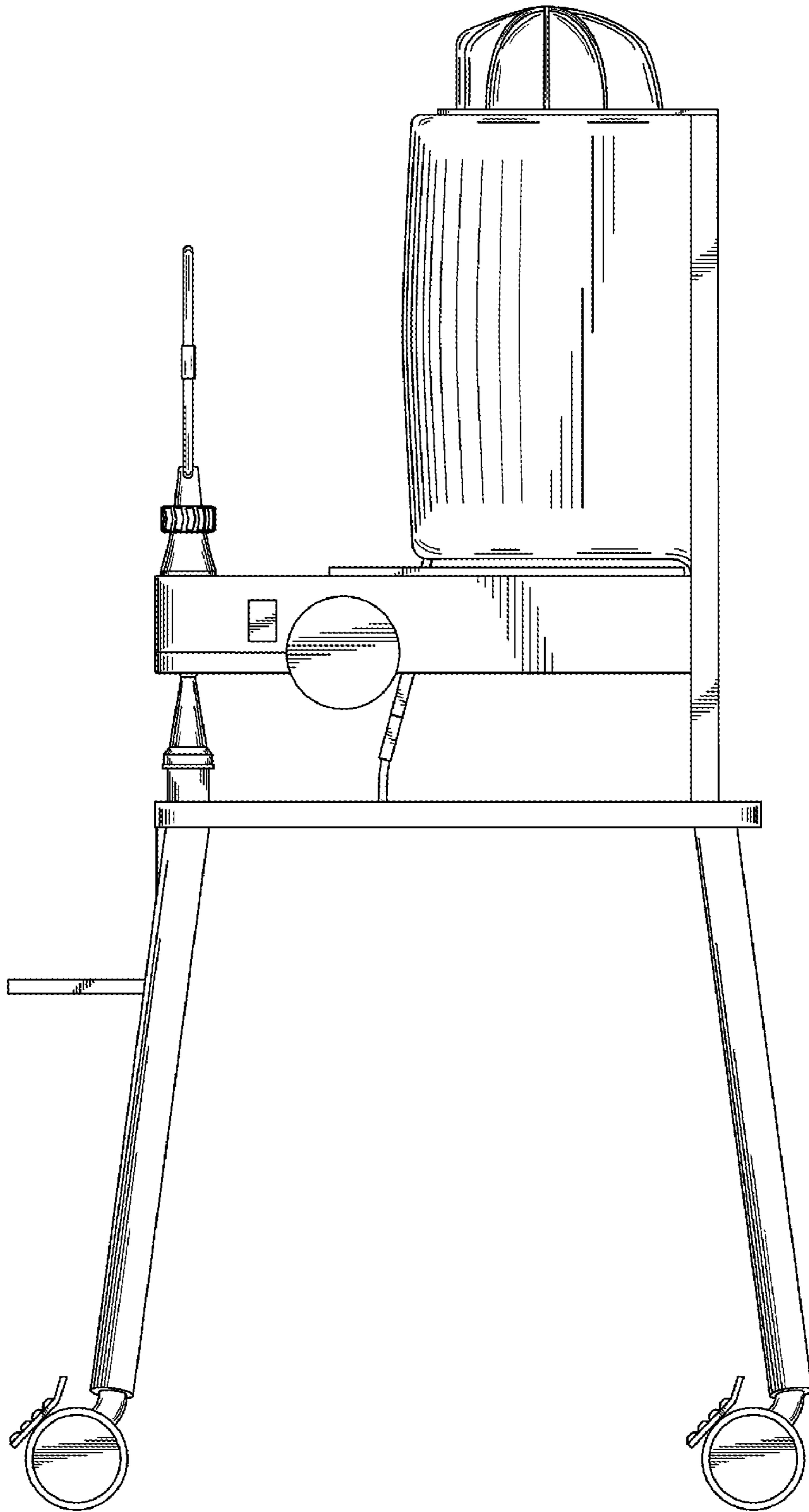


Fig. 5

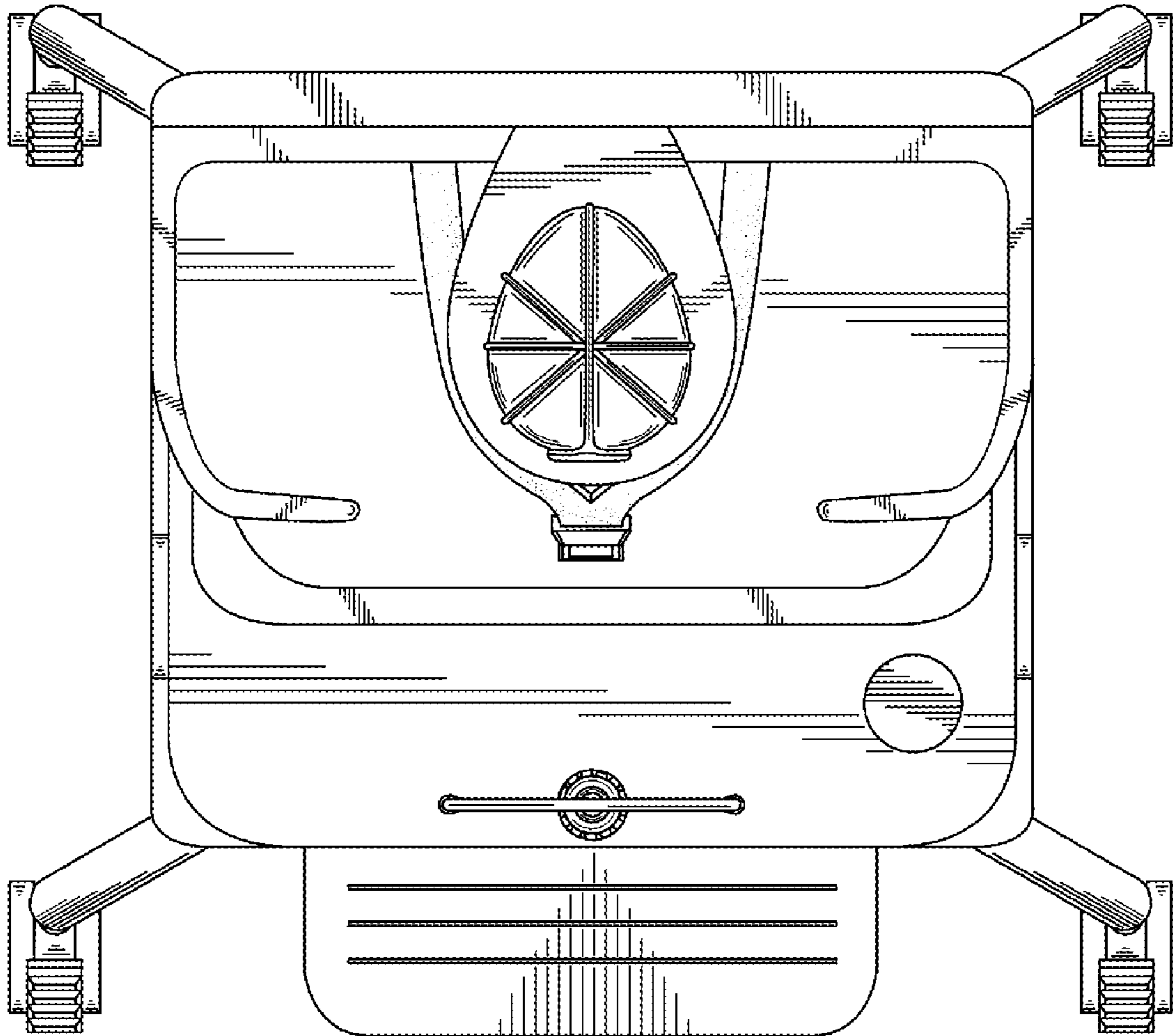


Fig. 6

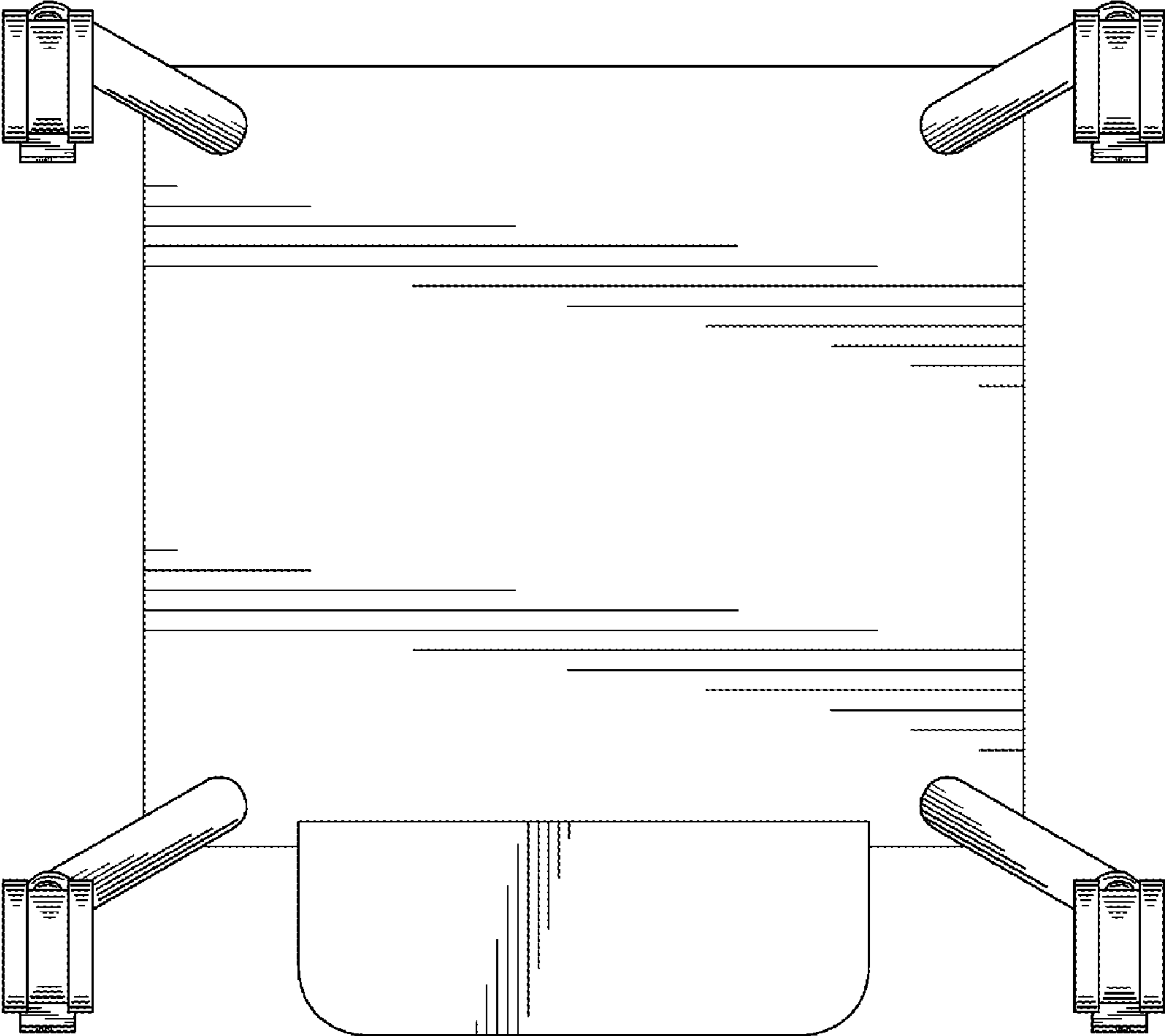


Fig. 7