



US00D626345S

(12) **United States Design Patent**
Muller

(10) **Patent No.:** **US D626,345 S**

(45) **Date of Patent:** **** Nov. 2, 2010**

(54) **CLOTHES HANGER**

(76) Inventor: **Rick Muller**, 23 W. 31st St., New York,
NY (US) 10001

(**) Term: **14 Years**

(21) Appl. No.: **29/360,880**

(22) Filed: **May 1, 2010**

(51) **LOC (9) Cl.** **06-08**

(52) **U.S. Cl.** **D6/319**

(58) **Field of Classification Search** D6/315,
D6/317, 318, 319; 211/1, 13.1, 85.3; 223/85-98
See application file for complete search history.

(56) **References Cited**

U.S. PATENT DOCUMENTS

D303,324 S	*	9/1989	Wilson	D6/319
D405,343 S	*	2/1999	Oberdorf	D6/319
D415,620 S	*	10/1999	Prince et al.	D6/319
D445,265 S	*	7/2001	Yost	D6/319
D446,947 S	*	8/2001	Paloheimo	D6/319
D464,811 S	*	10/2002	Lin	D6/319
D499,560 S	*	12/2004	Abdi et al.	D6/319
D501,093 S	*	1/2005	Barre et al.	D6/319

D527,536 S	*	9/2006	McCoy et al.	D6/319
D564,242 S	*	3/2008	Barker	D6/319
D567,516 S	*	4/2008	Mangano	D6/319
D568,620 S	*	5/2008	Wong	D6/319

* cited by examiner

Primary Examiner—Shanda C Hill

(74) *Attorney, Agent, or Firm*—J Curtis Edmondson

(57) **CLAIM**

The ornamental design for a clothes hanger, as shown and described.

DESCRIPTION

FIG. 1 is a front perspective view of a clothes hanger showing my new design;

FIG. 2 is a front view thereof;

FIG. 3 is a rear view thereof;

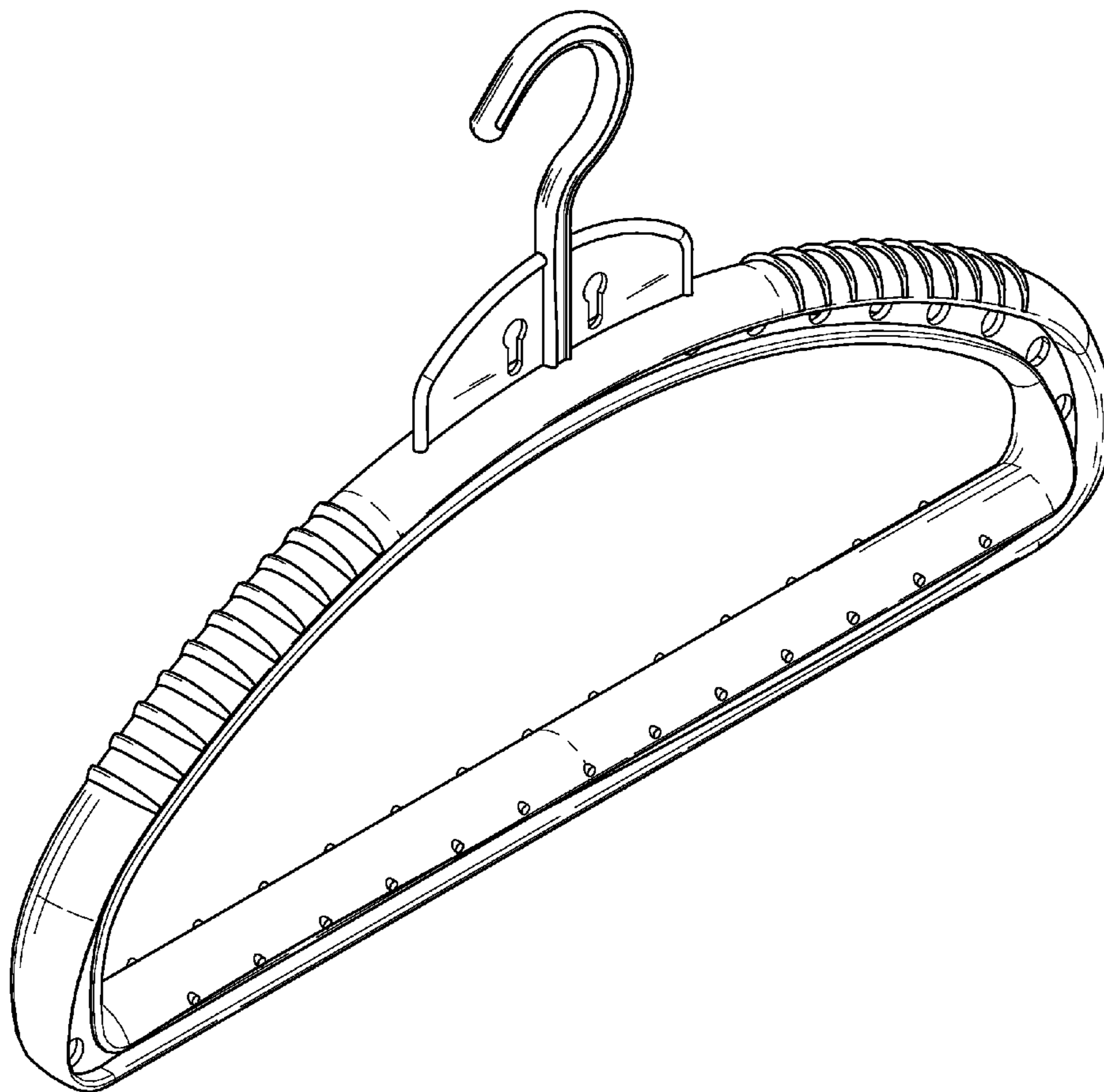
FIG. 4 is a right side view thereof;

FIG. 5 is a left side view thereof;

FIG. 6 is a top view thereof; and,

FIG. 7 is a bottom view thereof.

1 Claim, 5 Drawing Sheets



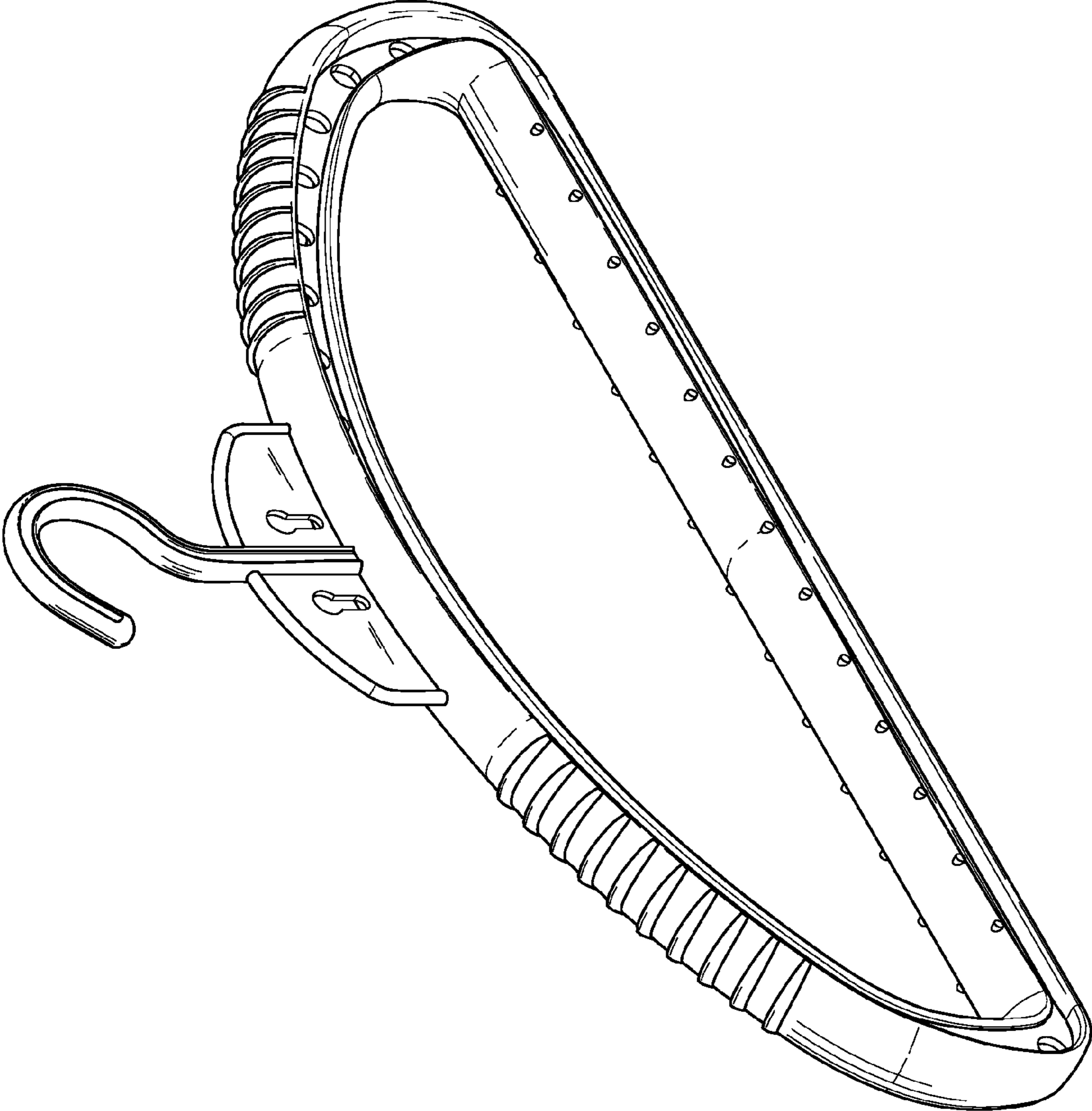


FIG. 1

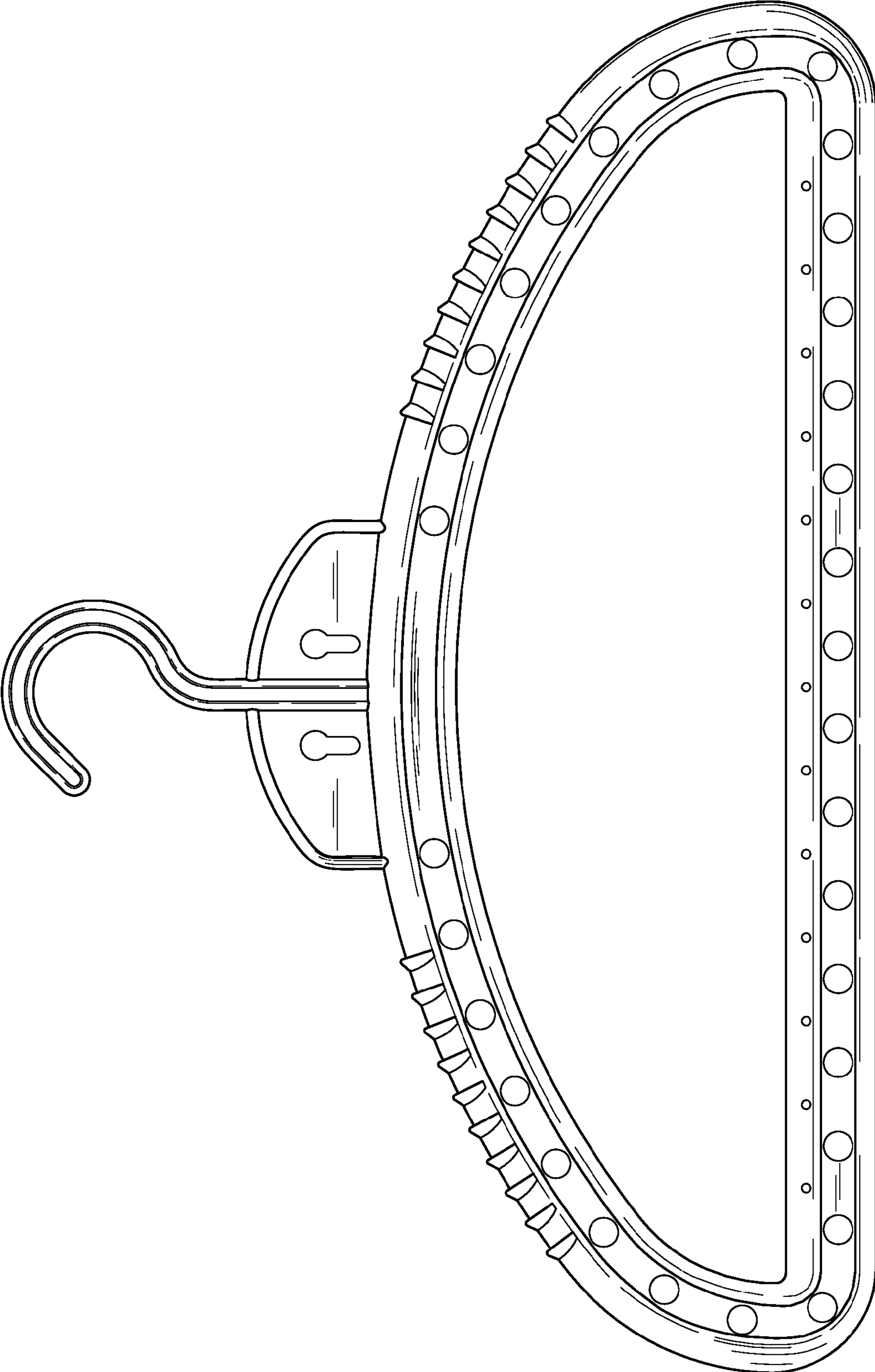


FIG.2

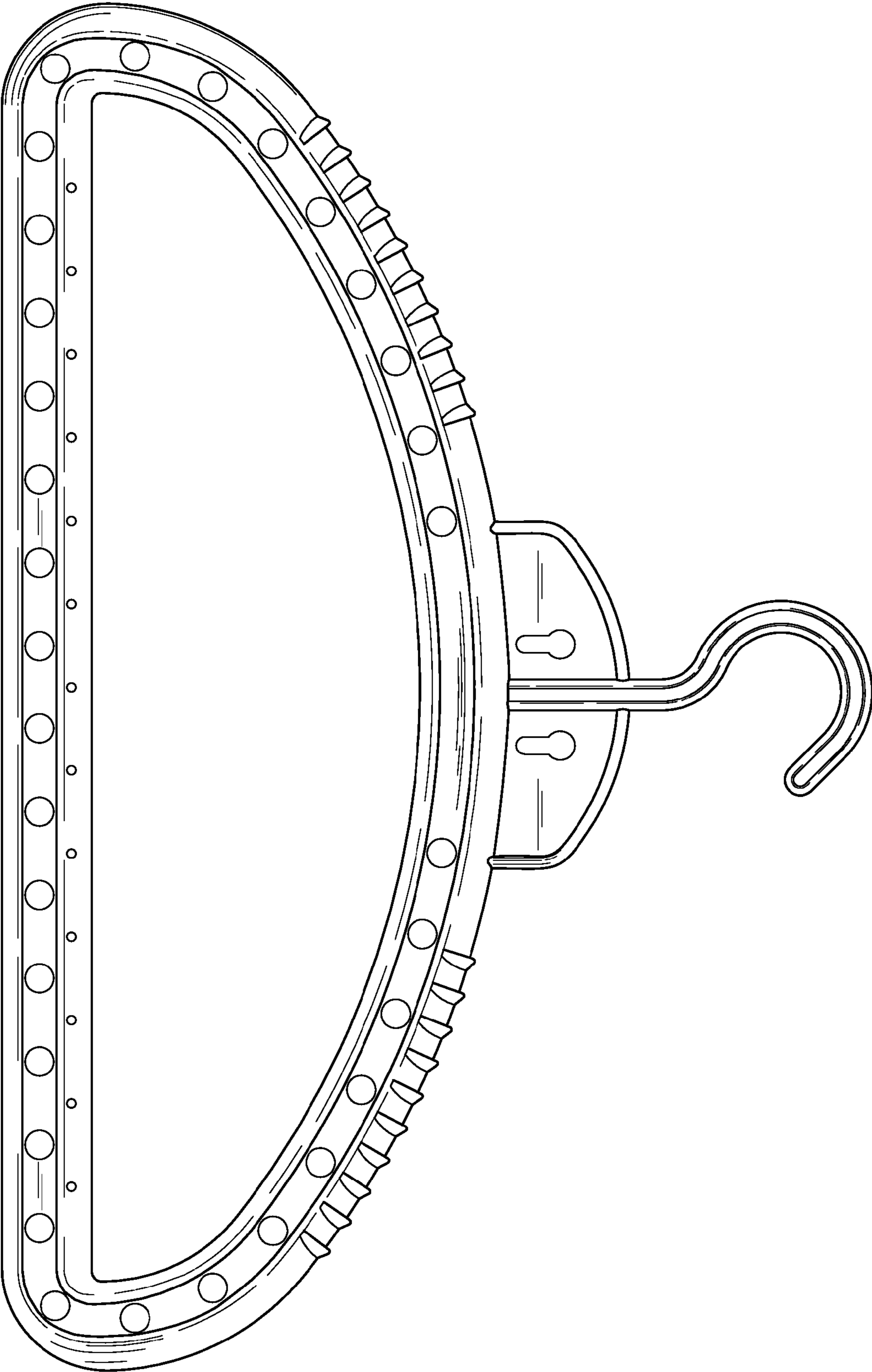


FIG.3

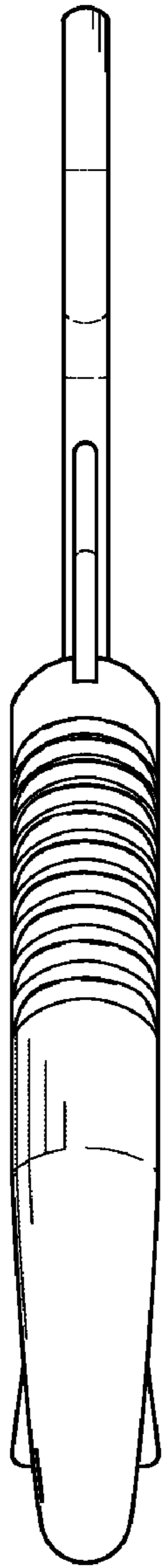


FIG. 4

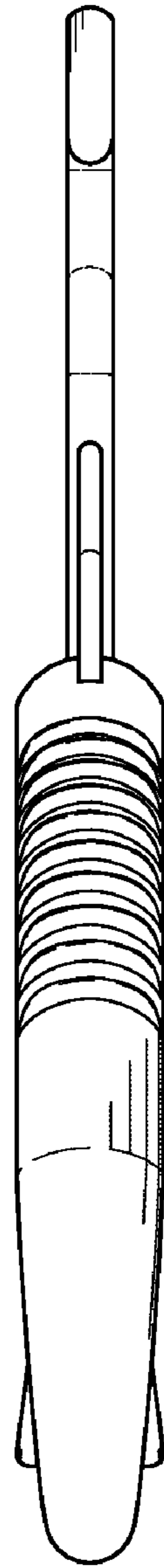


FIG. 5

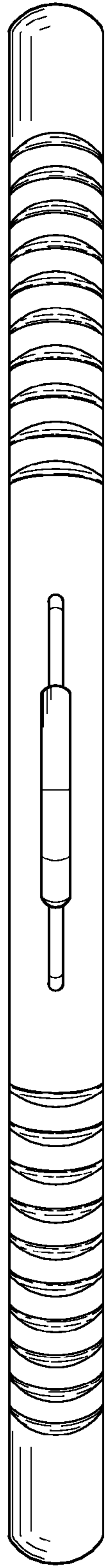


FIG. 6

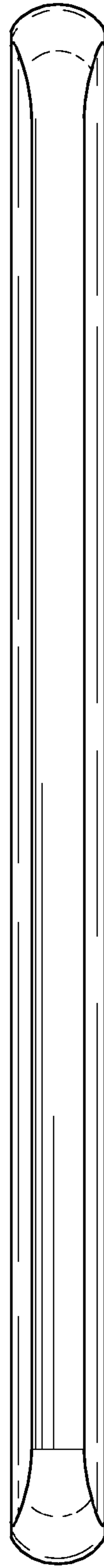


FIG. 7