



US00D626343S

(12) **United States Design Patent**  
**Lee et al.**

(10) **Patent No.:** **US D626,343 S**  
(45) **Date of Patent:** **\*\* Nov. 2, 2010**

(54) **ELECTRONIC FRAME**

(75) Inventors: **Yong-Joo Lee**, Seoul (KR); **Sung-Jin Ann**, Seoul (KR); **Ok-Keun Lee**, Kyunggi-do (KR)

(73) Assignee: **Samsung Electronics Co., Ltd.**, Kyunggi-do (KR)

(\*\*) Term: **14 Years**

(21) Appl. No.: **29/349,013**

(22) Filed: **Mar. 2, 2010**

(51) **LOC (9) Cl.** ..... **06-07**

(52) **U.S. Cl.** ..... **D6/308; D14/371**

(58) **Field of Classification Search** ..... D6/300-314; 40/700, 768, 717, 714, 721, 735; D14/371, D14/372, 448, 449, 450, 374, 381, 382, 336, D14/337, 250, 146, 341, 496, 331; D20/10; D10/24, 75, 2

See application file for complete search history.

(56) **References Cited**

**U.S. PATENT DOCUMENTS**

D306,720 S *	3/1990	Flies	.....	D14/374
D506,074 S *	6/2005	Chen et al.	.....	D6/300
D572,023 S	7/2008	Park		
D572,025 S	7/2008	Kwon		
D609,018 S *	2/2010	Tzeng et al.	.....	D6/308
D610,356 S *	2/2010	Hoehn	.....	D6/310

D610,814 S *	3/2010	Chigira	.....	D6/310
D613,510 S *	4/2010	Tzeng et al.	.....	D6/308
D614,601 S *	4/2010	Kataoka et al.	.....	D14/142

**OTHER PUBLICATIONS**

U.S. Appl. No. 29/315,361, Applicant: Jong-Joo Lee et al., filed Jun. 18, 2009 entitled Electronic Frame.

\* cited by examiner

*Primary Examiner*—Susan M Lee

*Assistant Examiner*—Sydney R Buffalow

(74) *Attorney, Agent, or Firm*—Flynn, Thiel, Boutell & Tanis, P.C.

(57) **CLAIM**

The ornamental design for an electronic frame, as shown and described.

**DESCRIPTION**

FIG. 1 is a top front perspective view of an electronic frame showing our new design;

FIG. 2 is a front elevational view thereof;

FIG. 3 is a rear elevational view thereof;

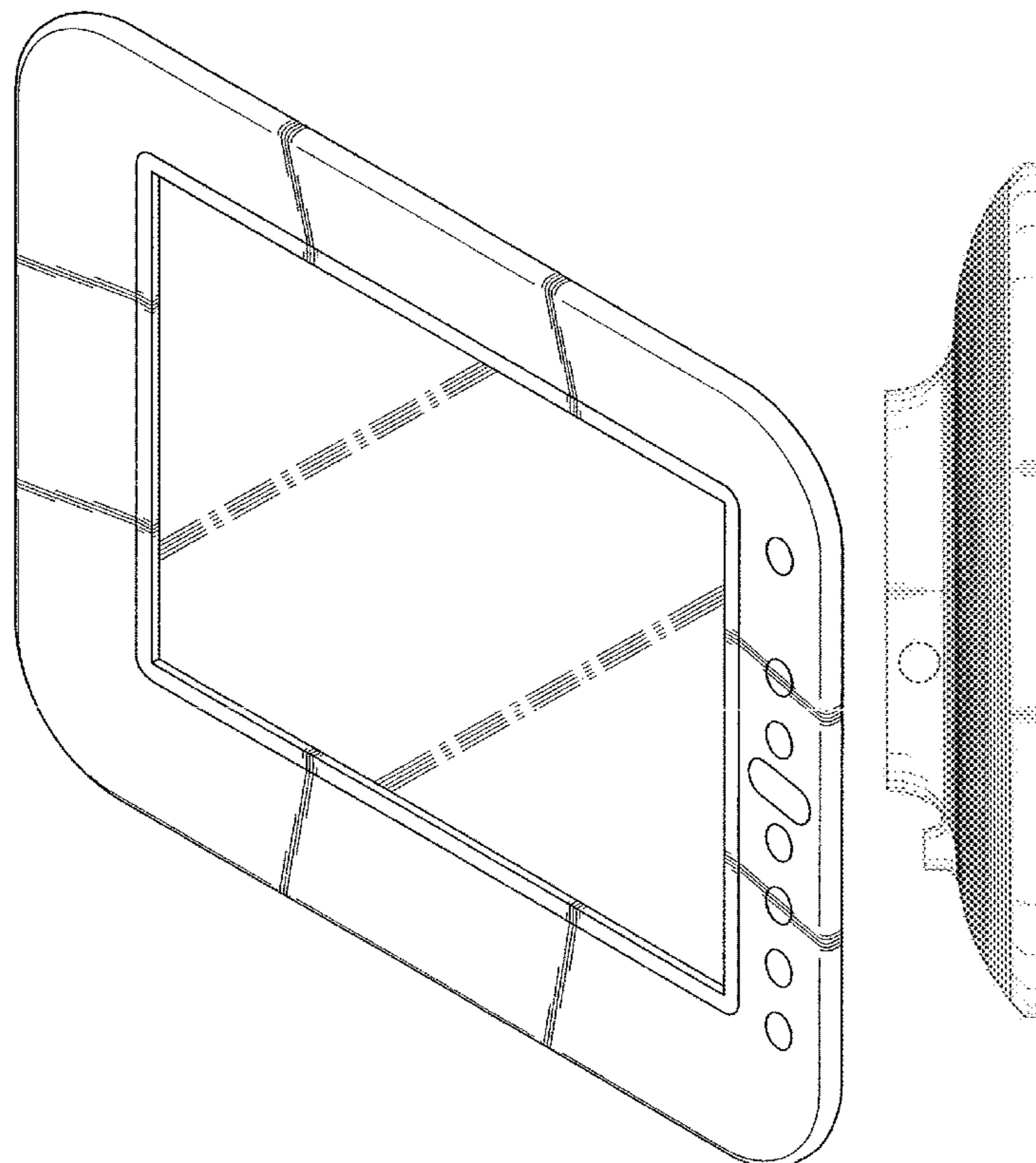
FIG. 4 is a left side elevational view thereof;

FIG. 5 is a right side elevational view thereof;

FIG. 6 is a top plan view thereof; and,

FIG. 7 is a bottom plan view thereof.

**1 Claim, 5 Drawing Sheets**



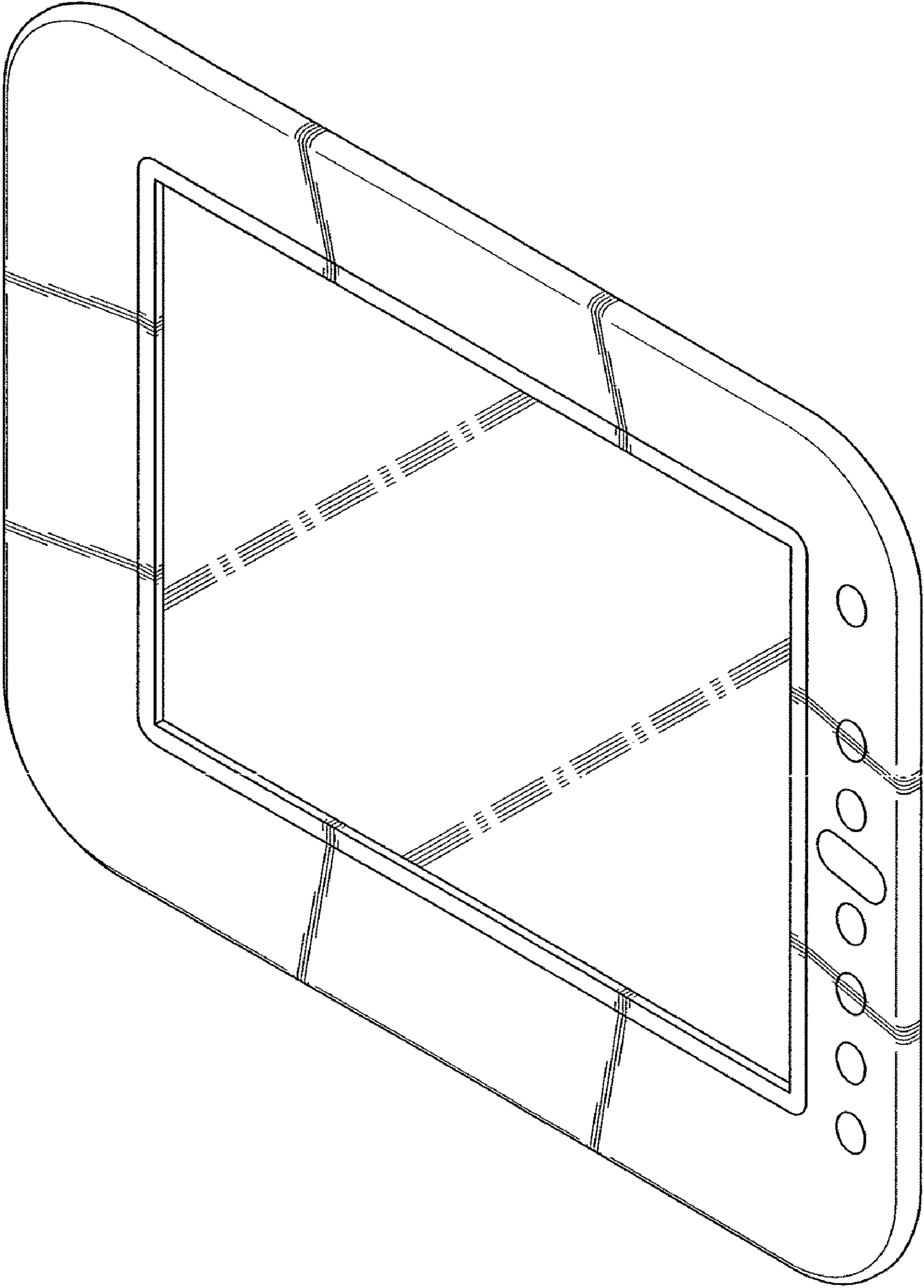


FIG. 1

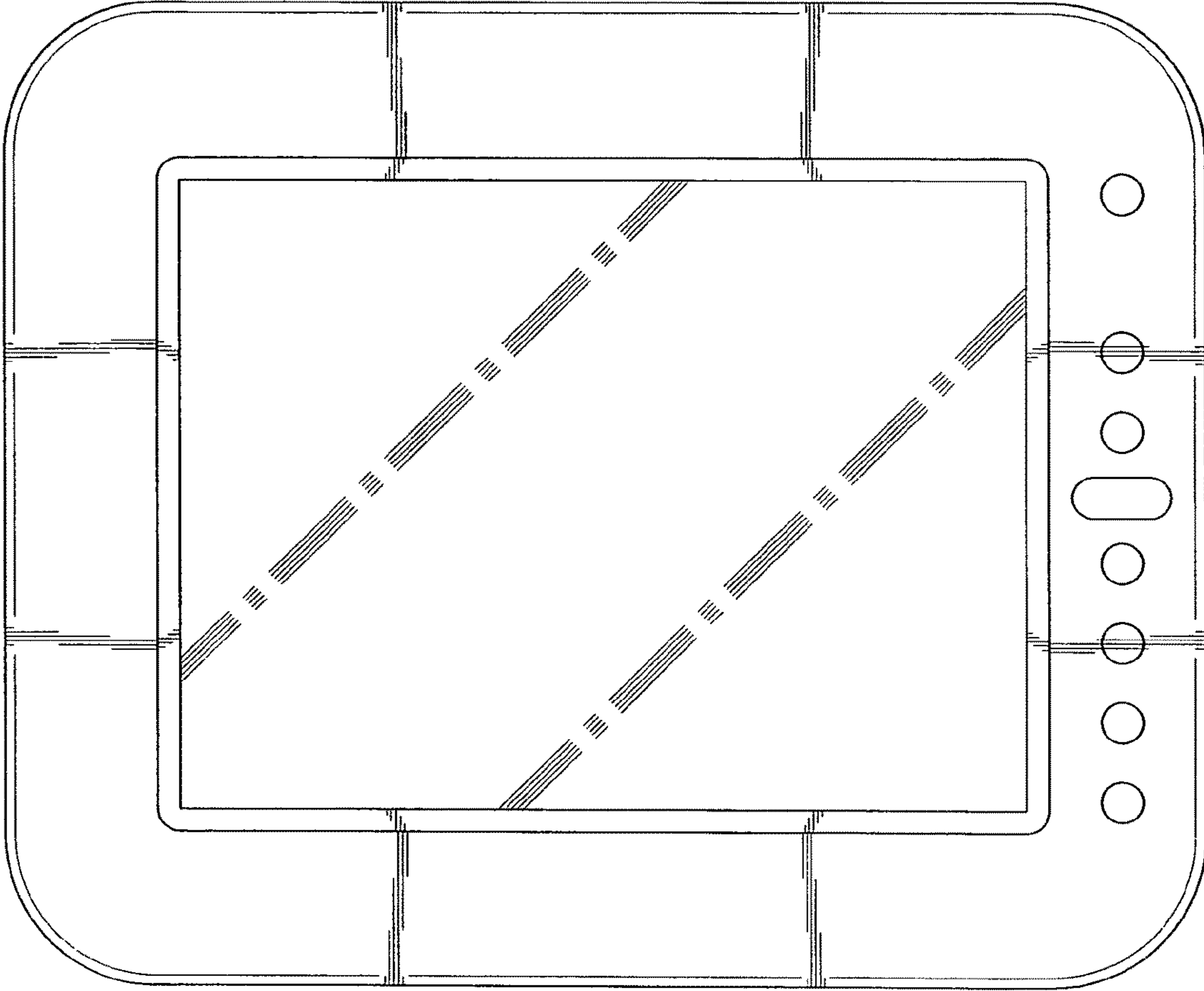


FIG.2



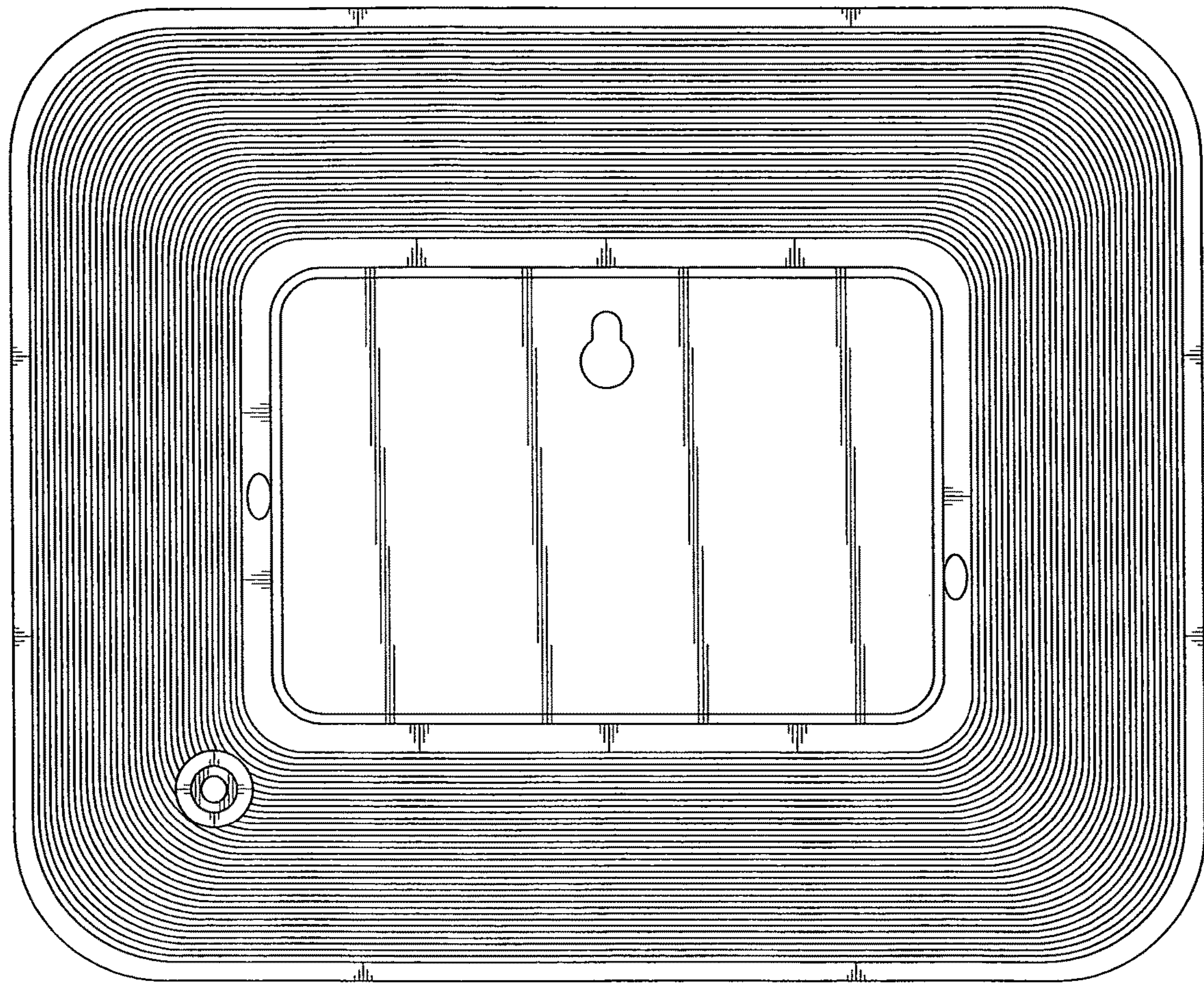


FIG.3

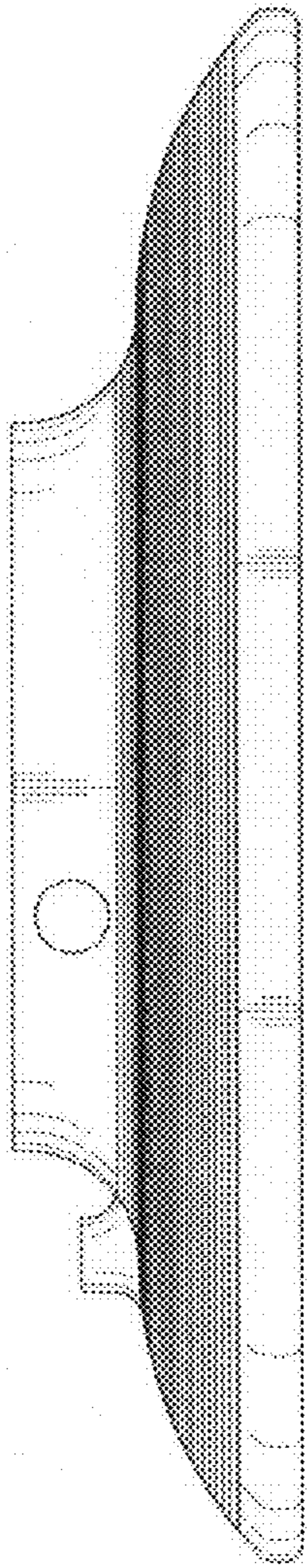


FIG. 4

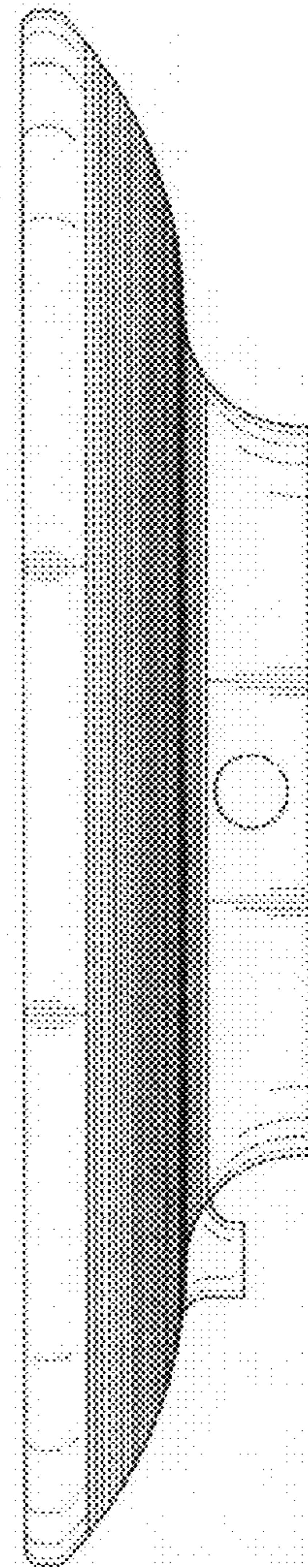


FIG. 5



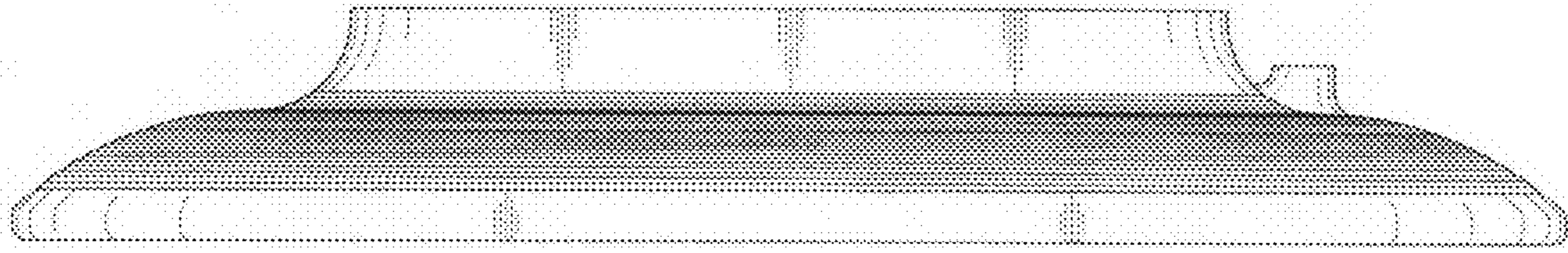


FIG. 6

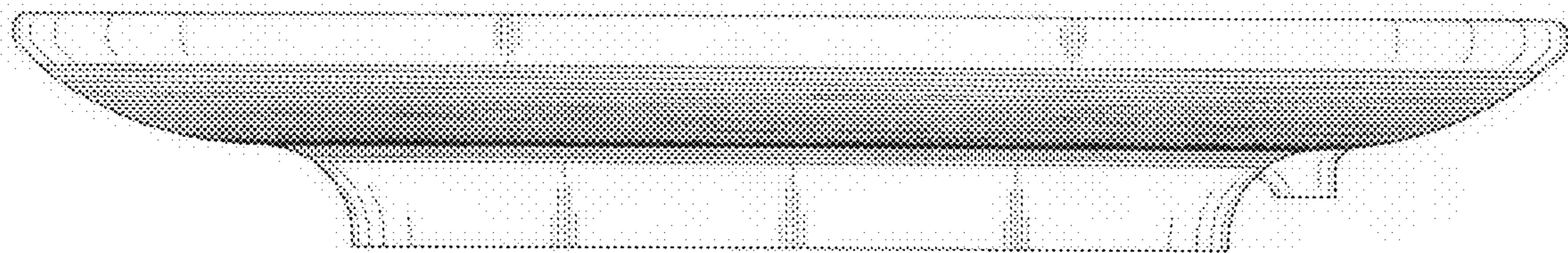


FIG. 7